

IN5122/IN5124/IN5122c/IN5124c

Quick Start Guide

Guide de Démarrage Rapide

Schnellstart-Anleitung

Guía de Inicio Rápido

Guida di Consultazione Rapida

Snelstartgids

Guia de Início Rápido

快速入门指南

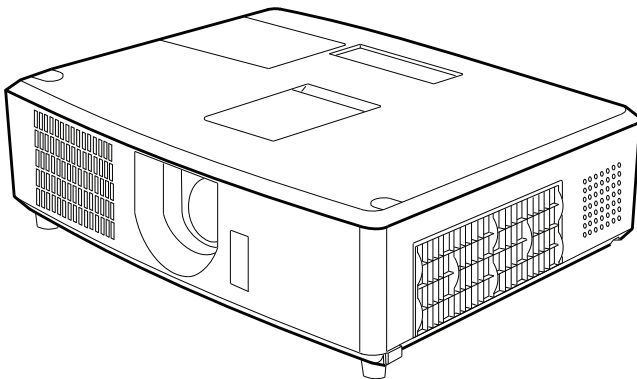
빠른 시작 안내서

Snabbstarthandbok

Краткое руководство

Panduan Ringkas

Regulatory models: W60, W61, IN5122c, IN5124c



InFocus

Bright Ideas Made Brilliant

NOTE • The information in this manual is subject to change without notice. • The manufacturer assumes no responsibility for any errors that may appear in this manual. • The reproduction, transfer or copy of all or any part of this document is not permitted without express written consent.

REMARQUE • Les informations contenues dans ce manuel peuvent faire l'objet de changements sans avertissement préalable. • Le fabricant ne prend aucune responsabilité pour les erreurs qui pourraient se trouver dans ce manuel. • La reproduction, la transmission ou l'utilisation de ce document ou de son contenu est interdite sauf autorisation spéciale écrite.

HINWEIS • Die Informationen in diesem Handbuch können ohne vorherige Ankündigung geändert werden. • Der Hersteller übernimmt keine Verantwortung für etwaige in diesem Handbuch enthaltene Fehler. • Die Vervielfältigung, Übertragung oder Verwendung dieses Dokuments oder dessen Inhalts ist ohne ausdrückliche schriftliche Genehmigung nicht gestattet.

NOTA • La información de este manual puede sufrir modificaciones sin previo aviso. • El fabricante no asume ninguna responsabilidad por los errores que puedan aparecer en este manual. • No está permitida la reproducción, transmisión o utilización de este documento ni de su contenido sin autorización expresa por escrito.

NOTA • Le informazioni riportate in questo manuale sono soggette a modifica senza preavviso. • Il produttore declina qualsiasi responsabilità per eventuali errori che potrebbero comparire nel presente manuale. • E' vietata la riproduzione, la trasmissione o l'utilizzo del presente documento o del suo contenuto senza espressa autorizzazione scritta.

OPMERKING • De informatie in deze handleiding kan zonder voorafgaande kennisgeving veranderd worden. • De fabrikant neemt geen enkele verantwoordelijkheid voor de eventuele fouten in deze handleiding. • Reproductie, overdracht of het gebruik van dit document is niet toegestaan, zonder uitdrukkelijke toestemming van de betreffende partij.

NOTA • As informações contidas neste manual estão sujeitas a alterações sem aviso prévio. • O fabricante não se responsabiliza por quaisquer erros que possam surgir neste manual. • A reprodução, transmissão ou utilização deste documento ou do seu conteúdo não é permitida sem autorização expressa por escrito.

通知事項 • 本书中刊载的内容有可能不经预告而发生变更。• 本产品的制造者对本书中的刊载错误不负任何责任。• 未经允许请勿复制、转载和使用本书的部分或全部内容。

알림 • 본서에 기재되어 있는 내용은 예고 없이 변경하는 일이 있습니다. • 본제품의 제조자는, 본서에 있어서의 기재 오류에 대해서 일체의 책임도 지지 않습니다. • 본서 내용의 일부 혹은 전부를 무단으로 복사하거나 전재하여 사용하는 것을 절대 금합니다.

NOTERA • Informationen i denna bruksanvisning kan komma att ändras utan förvarning. • Tillverkaren påtar sig inget ansvar för eventuella fel i denna bruksanvisning. • Återgivning, översändande eller användning av detta dokument eller dess innehåll är inte tillåten utan uttrycklig skriftligt medgivande.

ПРИМЕЧАНИЕ. • Содержание данного руководства может изменяться без предварительного уведомления. • Производитель не несет ответственности за ошибки в данном руководстве. • Воспроизведение, передача и использование данного документа или его содержания запрещено без письменного разрешения.

CATATAN • Informasi dalam manual ini dapat berubah tanpa pemberitahuan. • Pabrik tidak bertanggung jawab terhadap segala kesalahan yang mungkin muncul dalam manual ini. • Penggandaan, transfer atau penyalinan semua atau sebagian dokumen ini tidak diizinkan tanpa persetujuan tertulis.

Projector

IN5122/IN5124/IN5122c/IN5124c

Quick Start Guide

Thank you for purchasing this projector.

Please read through this manual before using this product, in order to safely and effectively use the product.

- ⚠ WARNING** ▶ Before using this product, be sure to read all product manuals. After reading them, store them in a safe place for future reference.
- ▶ Follow all warnings and cautions in the manuals and on the product.
 - ▶ Follow all the instructions in the manuals and on the product.

NOTE • In this manual, unless otherwise noted, “the manuals” refers to all the documents provided for this product, and “the product” refers to this projector and all the accessories which came with it.

Contents

| | |
|--|---|
| Safety Information 2 | Connecting power supply 8 |
| Entries and graphical symbols explanation 2 | Turning on the power 8 |
| Important safety instruction 2 | Adjusting the projector's elevator 9 |
| Regulatory notices 3 | Displaying the picture 10 |
| About Electro-Magnetic Interference 3 | Turning off the power 11 |
| About Waste Electrical and Electronic Equipment... 4 | Replacing the lamp 12 |
| Contents of package 4 | Cleaning and replacing the air filter .. 14 |
| Preparations 5 | Specifications 16 |
| Loading batteries into the remote control 5 | Troubleshooting |
| Arrangement 6 | - Warranty and after-service 17 |
| Connecting with your devices 7 | |

Safety Information

Entries and graphical symbols explanation

The following entries and graphical symbols are used throughout the manuals for safety purposes. Please familiarize yourself with these items and pay particular attention when you see them.

⚠ WARNING This entry warns of a risk of serious personal injury or even death.

⚠ CAUTION This entry warns of a risk of personal injury or physical damage.

NOTICE This entry points out important information to keep your projector in working order.

Important safety instruction

The following are important instructions for safely using the product. Always follow these instructions when handling the product. The manufacturer assumes no responsibility for any damage caused by mishandling that is beyond normal usage as defined in the manuals for this projector.

⚠ WARNING ▶ Never use the projector if it is acting abnormally (i.e. it is smoking, smelling strangely, has liquid or a foreign object inside, or is broken, etc.). If such an event should occur, unplug the projector immediately.

▶ Keep the projector away from children and pets.

▶ Do not use the projector in the event of thunderstorms.

▶ Unplug the projector from the power outlet when the projector is not being used.

▶ Do not open or remove any portion of the projector, unless the manuals specify to do so. Internal maintenance should be left to your dealer and their service personnel.

▶ Use only accessories specified or recommended by the manufacturer.

▶ Do not modify the projector or accessories.

▶ Do not allow liquids or other substances to enter the projector.

▶ Do not allow the projector to get wet.

▶ Do not place the projector where any oils, such as cooking or machine oil, are used. Oil may harm the projector, cause the projector to malfunction or cause the projector to fall from its mounted position.

▶ Do not apply shock or pressure to this projector.

▶ Do not place the projector on an unstable place such as an uneven surface or leaning table.

▶ Do not place the projector unstably. Place the projector so that it does not protrude from the surface it is placed on.

▶ Remove all attachments from the projector, including the power cord and cables, before carrying the projector.

▶ Do not look into the lens or any projector openings, while the lamp is on.

▶ Do not go near the lamp door or exhaust vents, while the projection lamp is on.

Also if the lamp goes out, do not touch the lamp until it has had time to cool down.

Regulatory notices

FCC Warning

This equipment has been tested and found to comply with the limits for a Class A digital device, pursuant to part 15 of the FCC Rules. These limits are designed to provide reasonable protection against harmful interference when the equipment is operated in a commercial environment. This equipment generates, uses, and can radiate radio frequency energy and, if not installed and used in accordance with the instruction manual, may cause harmful interference to radio communications.

Operation of this equipment in a residential area is likely to cause harmful interference in which case the user will be required to correct the interference at his own expense. This device complies with part 15 of the FCC Rules.

Operation is subject to the following two conditions: (1) This device may not cause harmful interference, and (2) this device must accept any interferences received, including interference that may cause undesired operation. Changes or modifications not expressly approved by InFocus Corporation may void authority to operate the equipment.

EN 55022 Warning

This is a Class A product. In a domestic environment it may cause radio interference, in which case the user may be required to take adequate measures. The typical use is in a conference room, meeting room or auditorium.

EN EMC directive

This product may cause interference if used in residential areas. Such use must be avoided unless the user takes special measures to reduce electromagnetic emissions to prevent interference to the reception of radio and television broadcasts.

Canada

This Class A digital apparatus complies with Canadian ICES-003.
Cet appareil numérique de la classe A est conforme à la norme NMB-003 du Canada.

CAUTION: Changes or modifications not expressly approved by the party responsible for compliance could void the user's authority to operate the equipment.

Regulatory notices (continued)

About Waste Electrical and Electronic Equipment



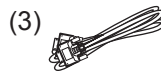
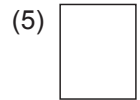
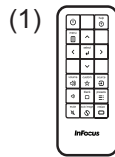
The mark is in compliance with the Waste Electrical and Electronic Equipment Directive 2002/96/EC (WEEE).

The mark indicates the requirement NOT to dispose the equipment including any spent or discarded batteries or accumulators as unsorted municipal waste, but use the return and collection systems available. If the batteries or accumulators included with this equipment, display the chemical symbol Hg, Cd, or Pb, then it means that the battery has a heavy metal content of more than 0.0005% Mercury or more than, 0.002% Cadmium, or more than 0.004% Lead.

Contents of package

Your projector should come with the items shown below. Check that all the items are included. Alert your dealer immediately if any items are missing.

- (1) Remote control
- (2) Power cord
- (3) Computer cable
- (4) Lens cover
- (5) Documentation
- (6) Security label
- (7) A/V cable



NOTE • Keep the original packing materials for future reshipment. Be sure to use the original packing materials when moving the projector. Use special caution with the lens.

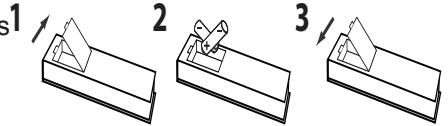
• The projector may make a rattling sound when tilted, moved or shaken, since a flap to control the air flow inside of the projector will move. Be aware that this is not a failure or malfunction.

Preparations

Loading batteries into the remote control

Please insert batteries into the remote control before using it. If the remote control starts to malfunction, try to replace the batteries. If you will not be using the remote control for a long period of time, remove the batteries from the remote control and store them in a safe place.

1. Slide the battery cover to remove it.
2. Align and insert the two AA batteries according to their plus and minus terminals as indicated in the remote control.
3. Replace the battery cover in the direction of the arrow and snap it back into place.

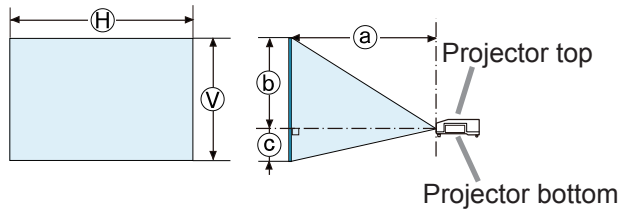
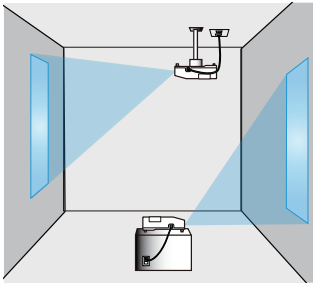


⚠ WARNING ► Always handle the batteries with care and use them only as directed. Improper use may result in battery explosion, cracking or leakage, which could result in fire, injury and/or pollution of the surrounding environment.

- When replacing the batteries, replace both of the batteries with new batteries of the same type. Do not use a new battery with a used battery.
- Be sure to use only the batteries specified. Do not use batteries of different types at the same time. Do not mix a new battery with used one.
- Make sure the plus and minus terminals are correctly aligned when loading a battery.
- Keep batteries away from children and pets.
- Do not recharge, short circuit, solder or disassemble a battery.
- Do not place batteries in a fire or water. Keep batteries in a dark, cool and dry place.
- If you observe battery leakage, wipe out the leakage and then replace a battery. If the leakage adheres to your body or clothes, rinse well with water immediately.
- Obey local laws when disposing the battery.

Arrangement

Refer to tables T-1 and T-2 at the back of this manual as well as the following to determine screen size and projection distance.



Ⓜ × Ⓥ: Screen size

ⓐ: Projection distance (from the end of the projector)

ⓑ, ⓒ: Screen height

⚠ WARNING ▶ Install the projector where you can access the power outlet easily.

▶ Do not subject the projector to unstable conditions. Install the projector in a stable horizontal position.

▶ Do not use any mounting accessories except those specified by the manufacturer. Read and keep the manuals of the accessories used.

▶ For special installations, such as ceiling mounting, be sure to consult your dealer beforehand. Specific mounting accessories and services may be required.

▶ Do not install the projector near thermally conductive or flammable items.

▶ Do not place the projector where any oils, such as cooking or machine oil, are used.

▶ Do not allow the projector to get wet.

⚠ CAUTION ▶ Place the projector in a cool place with sufficient ventilation.

▶ Keep a space of 1' (30 cm) or more between the sides of the projector and other objects such as walls.

▶ Do not plug, block or cover projector vents.

▶ Do not place the projector in places where magnetic fields exist; doing so can cause the cooling fans inside the projector to malfunction.

▶ Avoid placing the projector in smoky, humid or dusty place.

▶ Do not place the projector near humidifiers. Especially with ultrasonic humidifiers, chlorine and minerals contained in tap water are atomized and could be deposited in the projector causing image degradation or other problems.

NOTICE • Position the projector so that light does not directly hit the projector's remote sensor.

• Do not place the product in a place where radio interference may occur.

Connecting with your devices

Before connecting the projector to a device, consult the device manual to confirm that the device is suitable for connecting with this projector and prepare required accessories, such as a cable compatible with the signal of the device. Consult your dealer when the required accessory did not come with the product or the accessory is damaged.

After making sure that the projector and the devices are turned off, perform the connection, according to the following instructions. Refer to figures **F-1** to **F-4** at the back of this manual.

For details, see the **User's Manual**. Before connecting the projector to a network system, be sure to read the **Network Guide** too.

⚠ WARNING ▶ Only use appropriate accessories. Otherwise a fire or damage to the projector and devices may occur.

▶ Only use the accessories specified or recommended by the projector's manufacturer. The manufacturer may be following a regulation standard.

▶ Do not disassemble or modify the projector or its accessories.

▶ Do not use a damaged accessory. Avoid damaging the accessories. Route cables so they are not stepped on or pinched.

⚠ CAUTION ▶ For a cable with a core at only one end, connect the end with the core to the projector. This may be required by EMI regulations.

▶ Before connecting the projector to a network system be sure to obtain the consent of the network administrator.

▶ Do not connect the **LAN** port to any network which may have excessive voltage.

▶ Before removing a USB storage device from the port of the projector, be sure to use the REMOVE USB function on the thumbnail screen to protect your data.

NOTE • Do not turn the projector on or off while it is connected to an operating device, unless directed to do so in the device manual.

• Some input ports are selectable. For details, see the **User's Manual**.

• Be careful not to mistakenly connect a connector to an incorrect port.

• If an oversized USB storage device blocks the **LAN** port, use a USB extension cable to connect to the USB storage device.

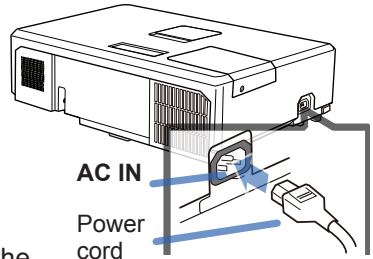
• If loud feedback noise is produced from the speaker, move the microphone away from the speaker.

• This projector does not provide power to the microphone.

Connecting power supply

1. Put the connector of the power cord into the **AC IN** (AC inlet) of the projector.
2. Firmly plug the power cord's plug into an electrical outlet. In a few seconds after the power has been connected, the **POWER** indicator will light up in steady orange.

Please remember that when the AC POWER ON function is activated, connecting power will cause the projector turn on.



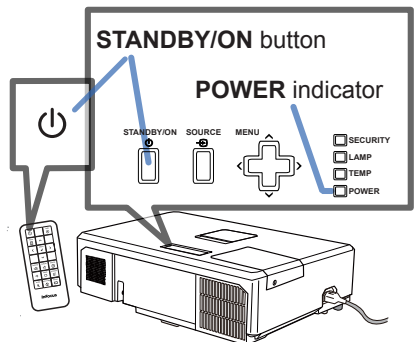
⚠ WARNING ► Please use extra caution when connecting the power cord, as incorrect or faulty connections may result in fire and/or electrical shock.

- Only use the power cord that came with the projector. If it is damaged, consult your dealer to get a new one.
- Only plug the power cord into an outlet with matching voltage. The power outlet should be close to the projector and easily accessible. Remove the power cord for complete removal of power.
- Never modify the power cord.

Turning on the power

1. Make sure that the power cord is firmly and correctly connected to the projector and the outlet.
2. Make sure that the **POWER** indicator is steady orange. Then remove the lens cover.
3. Press the **STANDBY/ON** button on the projector or the remote control.

The projection lamp will light up and the **POWER** indicator will begin blinking green. When the power is completely on, the indicator will stop blinking and become steady green.



⚠ WARNING ► A strong light is emitted when the projector's power is on. Do not look into the lens of the projector or look inside of the projector through any of the projector's openings.

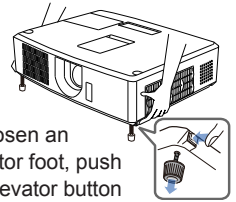
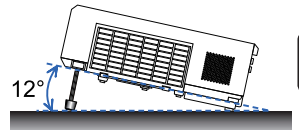
NOTE • Power on the projector prior to turning on connected devices.
• The projector has a AC POWER ON function, which can make the projector turn on automatically. For more information, please see the **User's Manual**.

Adjusting the projector's elevator

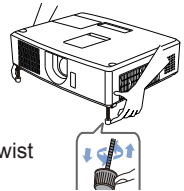
When the projection surface is slightly uneven on the left or right, use the elevator feet to correct the projector's placement. The feet can also be used to tilt the projector up to the screen, and can elevate the front side of the projector up to 12 degrees.

This projector has 2 elevator feet and 2 elevator buttons. An elevator foot is adjustable when you push the elevator button on the same side simultaneously.

1. Holding the projector, push the elevator buttons to loosen the elevator feet.
2. Position the front side of the projector to the desired height.
3. Release the elevator buttons in order to lock the elevator feet.
4. After making sure that the elevator feet are locked, put the projector down gently.
5. If necessary, the elevator feet can be manually twisted to make more precise adjustments. Hold the projector when twisting the feet.



To loosen an elevator foot, push the elevator button on the same side.

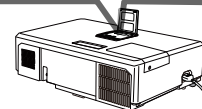
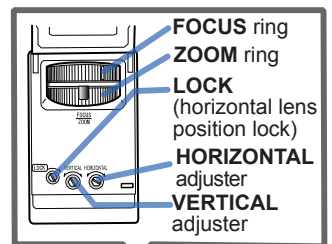
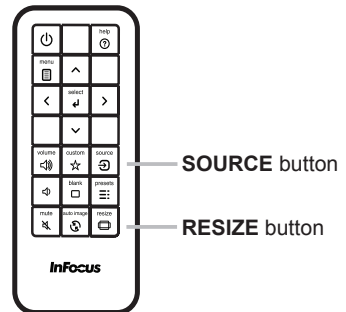
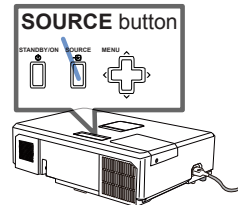
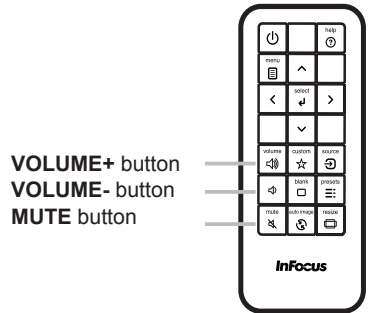


To finely adjust, twist the foot.

⚠ CAUTION ► Do not handle the elevator buttons without holding the projector, since the projector may drop down.
 ► Do not tilt the projector except by elevating its front no greater than 12 degrees using the adjuster feet. A projector tilted more than this may malfunction, or shorten the lifetime of the consumables or the projector itself.

Displaying the picture

1. Activate your signal source. Turn the signal source on, and make it send the signal to the projector.
2. Use the **VOLUME + / VOLUME -** buttons to adjust the volume.
To silence the projector, press the **MUTE** button on the remote control.
3. Press the **SOURCE** button on the projector. Each time you press the button, the projector rotates through each input port.
You can also use the remote control to select an input signal.
4. Press the **RESIZE** button on the remote control. Each time you press the button, the projector rotates through each aspect ratio mode.
5. Use the **ZOOM** ring to adjust the screen size.
6. Use the **FOCUS** ring to focus the picture.
7. Turn the **VERTICAL** adjuster completely counter-clockwise. Then turn it clockwise and adjust the vertical lens position upward.
8. Turn the **LOCK** counter clockwise to loosen the lock of the **HORIZONTAL** adjuster.
9. Turn the **HORIZONTAL** adjuster clockwise or counter-clockwise to adjust the horizontal lens position.
10. Turn the **LOCK** completely clockwise to tighten it and lock the horizontal lens position.



(continued on next page)

Displaying the picture (continued)

⚠ CAUTION ► If you want to display a blank screen while the projector's lamp is on:

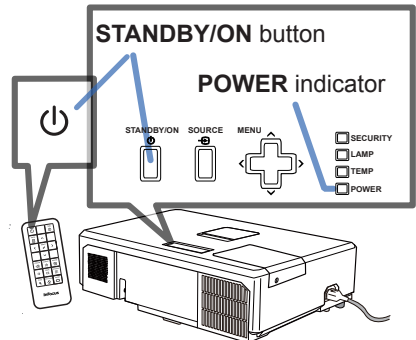
- Use the BLANK function (see **User's Manual**).

Taking any other action may cause the damage to the projector.

NOTE • The **RESIZE** button does not work when no proper signal is inputted.
• For the details of how to adjust the picture, please see **User's Manual**.

Turning off the power

1. Press the **STANDBY/ON** button on the projector or the remote control.
The message "Power off?" will appear on the screen for about 5 seconds.
2. Press the **STANDBY/ON** button again while the message appears.
The projector lamp will go off, and the **POWER** indicator will begin blinking in orange. Then the **POWER** indicator will stop blinking and become steady orange after the lamp has cooled.
3. Attach the lens cover, only after the **POWER** indicator turns steady orange.



Do not turn the projector on for 10 minutes or more after turning it off. Also, do not turn the projector off shortly after turning it on. Such operations might cause the lamp to malfunction or shorten the lifetime of some parts including the lamp.

⚠ WARNING ► Do not touch any areas around the lamp door or the exhaust vents during use or just after use, since it is too hot.

► Remove the power cord to remove power completely. The power outlet should be close to the projector and easily accessible.

NOTE • Please power off the projector after all connected devices are powered off.
• This projector has an AUTO POWER function that can make the projector turn off automatically. For more information, please see **User's Manual**.

Replacing the lamp

Lamps have a finite product life. Using the lamp for long periods of time can cause the pictures to become dim and the color tone to become poor. Each lamp has a different lifetime, and some may burst or burn out soon after you start using them. Purchasing a replacement lamp ahead of time is recommended. To purchase a new lamp, contact with your dealer and ask for the following the lamp part number.

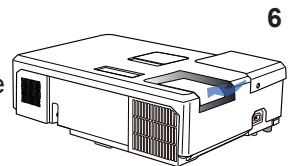
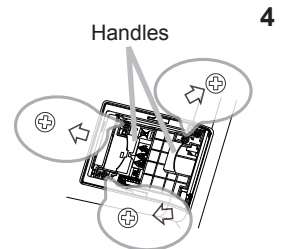
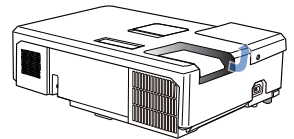
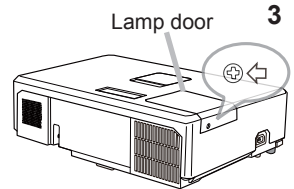
Part number : SP-LAMP-064

1. Turn the projector off, and unplug the power cord. Allow the projector to cool for at least 45 minutes.
2. Purchase a new lamp. If the projector is mounted on a ceiling, or if the lamp has broken, you can ask the dealer to replace the lamp.

If you replace the lamp yourself, follow these procedures:

3. Loosen the screw (marked by an arrow) on the lamp door and then slide and lift the lamp door to the side to remove it.
4. Loosen the 3 screws (marked by arrows) on the lamp, and slowly remove the lamp using the handles. Never loosen any other screws.
5. Insert the new lamp, and retighten the 3 screws on the lamp firmly (which were previously loosened) to lock it in place.
6. Slide the lamp door back in place. Then firmly fasten the screw on the lamp door.
7. Turn the projector on and reset the lamp time using the RESET LAMP HOURS item in the SERVICE menu.

- (1) Press the **MENU** button to display a menu.
- (2) Point at the ADVANCED MENU in the menu using the V / ^ button, then press the > button.
- (3) Point at the OPTION in the left column of the menu using the V / ^ button, then press the > button.
- (4) Point at the SERVICE in the menu using the V / ^ button, then press the > button.
- (5) Point at the RESET LAMP HOURS using the V / ^ button, then press the > button. A dialog will appear.
- (6) Press the > button to select "YES" on the dialog. This resets the lamp time.



⚠ CAUTION ► Do not touch anywhere inside of area where the lamp was removed from the projector.

Replacing the lamp (continued)

 **HIGH VOLTAGE**  **HIGH TEMPERATURE**  **HIGH PRESSURE**

⚠ WARNING ► The projector uses a high-pressure mercury glass lamp. The lamp can break with a loud bang, or burn out, if jolted or scratched, handled while hot, or worn over time. Note that each lamp has a different lifetime, and some may burst or burn out soon after you start using them. In addition, if the bulb bursts, it is possible for shards of glass to fly into the lamp housing, and for gas containing mercury and dust containing fine particles of glass to escape from the projector's vents.

► **About lamp disposal:** This product contains a mercury lamp; do not put it in the trash. Dispose of it in accordance with environmental laws.

- For lamp recycling, go to www.lamprecycle.org (in the US).
- For product disposal, consult your local government agency or www.eiae.org (in the US) or www.epsc.ca (in Canada).

For more information, ask your dealer.



Disconnect the plug from the power outlet

- If the lamp should break, unplug the power cord from the outlet, and make sure to request a replacement lamp from your local dealer. Note that shards of glass can damage the projector components, and cause injury during handling, so please do not attempt to clean the projector or replace the lamp yourself.

- If the lamp should break, ventilate the room well, and make sure not to inhale the gas or fine particles that come from the projector's vents, and get them into your eyes or mouth.
- Before replacing the lamp, turn the projector off and unplug the power cord, then wait at least 45 minutes for the lamp to cool sufficiently. Handling the lamp while hot can cause burns, as well as damage to the lamp.



- Never unscrew screws except those marked by an arrow.
- Do not open the lamp door while the projector is suspended from a ceiling. This is dangerous, since if the lamp's bulb has broken, the shards will fall out when the cover is opened. In addition, working in high places is dangerous, so ask your local dealer to have the lamp replaced even if the bulb is not broken.
- Do not use the projector with the lamp door removed. When replacing the lamp, make sure that the screws are screwed in firmly. Loose screws can result in damage or injury.



- Only use specified lamp types. Using a lamp that does not meet the lamp specifications for this model can cause a fire, projector damage or shorten the life of this product.
- If the lamp breaks soon after the first time it is used, it is possible that there are electrical problems elsewhere besides the lamp. If this happens, consult your local dealer or service representative.
- Handle with care: jolting or scratching could cause the lamp bulb to burst during use.
- Using the lamp for long periods of time can cause the lamp to be dim, not to light up or to burst. When the pictures appear dim, or when the color tone is poor, please replace the lamp as soon as possible. Do not use old (used) lamps; this can cause breakage.

Cleaning and replacing the air filter

Please check and clean the air filter periodically. When the indicators or a message prompts you to clean the air filter, comply with it as soon as possible. The projector air filter consists of a filter cover and a filter unit with two types of filter material. If one or both of the filters are damaged or heavily soiled, replace the filter unit with a new one.

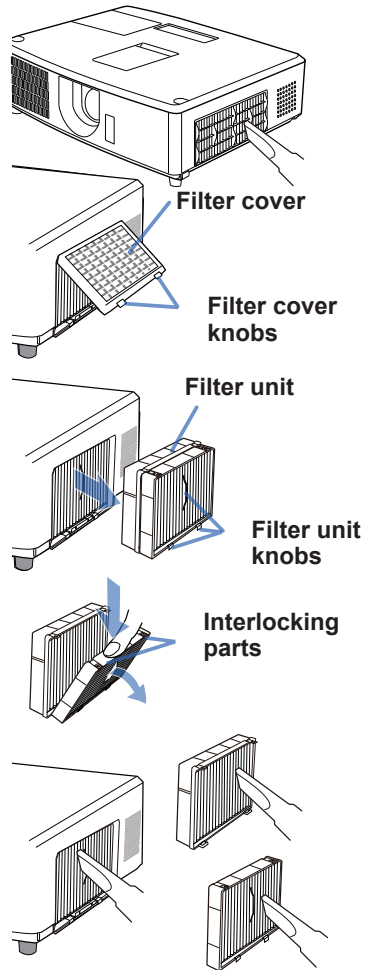
When purchasing a new filter, ask for the following part number from your dealer.

Part number: SP-FILTER-04

Note: A filter unit ships with replacement lamps. Replace the filter unit when you replace the lamp.

1. Turn the projector off, and unplug the power cord. Allow the projector to sufficiently cool down.
2. Use a vacuum cleaner on and around the filter cover.
3. Grab and pull up on the filter cover knobs to loosen the filter.
4. Press the bottom side knobs up slightly to unlock the bottom side of the filter unit. Pull the center knob to take the filter unit off.
5. Use a vacuum cleaner to clean the projector filter vent and the outer side of the filter unit.
6. The filter unit consists of two parts. Press down around the interlocking parts to unlock, and separate the two parts.
7. Use a vacuum cleaner to clean the inner side of each part of the filter unit. If the filters are damaged or heavily soiled, replace them with the new ones.
8. Combine the two parts to reassemble the filter unit.
9. Put the filter unit back into the projector.

(continued on next page)



Cleansing and replacing the air filter (continued)

10. Put the filter cover back into the place.
11. Turn the projector on and reset the filter time using the RESET FILTER HOURS item in the BASIC MENU.
 - (1) Press the **MENU** button to display a menu.
 - (2) Point at the RESET FILTER HOURS using the \wedge / \vee cursor buttons, then press the $>$ cursor (or the **SELECT**) button. A dialog will appear.
 - (3) Press the $>$ cursor button to select the “OK” on the dialog. This resets the filter time.

⚠ WARNING ► Before taking care of the air filter, make sure the power cable is unplugged, and allow the projector to cool sufficiently.

► Use only specified air filters. Do not use the projector without the air filter or the filter cover. This can result in a fire or malfunction to the projector.

► Clean the air filter periodically. If the air filter becomes clogged by dust or the like, internal temperatures can rise and cause a projector fire, burn or malfunction.

NOTE • Only reset the filter time when you have cleaned or replaced the air filter, so that the air filter indicators remain accurate.

- The projector may display a message such as “CHECK THE AIR FLOW” or turn the projector off automatically to prevent the projector from overheating.

Specifications

| Item | Specification |
|--------------------------------|--|
| Product name | Liquid crystal projector |
| Liquid Crystal Panel | IN5122/IN5122c: 786,432 pixels (1024 horizontal x 768 vertical) IN5124/IN5124c: 1,024,000 pixels (1280 horizontal x 800 vertical) |
| Lamp | 245 W UHP |
| Speaker | 16 W mono (8 W x2) |
| Power supply/ Rated current | AC100-120 V: 4.0 A, AC220-240 V: 2.0 A |
| Power consumption | AC100-120 V: 380 W, AC220-240 V: 360 W |
| Temperature range | 5 ~ 35 °C (Operating) |
| Size | 15.8" (W) x 4.4" (H) x 12.6" 401 (W) x 111 (H) x 318.5 (D) mm * Not including protruding parts. Refer to figure F-5 at the back of this manual. |
| Weight (mass) | approx. 4.7 kg (10.4 lbs.) |
| Ports | COMPUTER IN1 D-sub 15 pin mini jack x1 COMPUTER IN2 (H, V, G/Y, B/Cb/Pb, R/Cr/Pr) ... BNC jack x5 HDMI HDMI connector x1 MONITOR OUT D-sub 15 pin mini jack x1 COMPONENT (Y, Cb/Pb, Cr/Pr) RCA jack x3 S-VIDEO Mini DIN 4 pin jack x1 VIDEO RCA jack x1 AUDIO IN1 3.5 mm (stereo) mini jack x1 AUDIO IN2 3.5 mm (stereo) mini jack x1 AUDIO IN3 (R, L) RCA jack x2 AUDIO OUT (R, L) RCA jack x2 USB TYPE A USB type A connector x1 USB TYPE B USB type B connector x1 CONTROL D-sub 9 pin plug x1 LAN RJ45 jack x1 MIC 3.5 mm (mono) mini jack x1 REMOTE CONTROL 2.5 mm (stereo) mini jack x1 |

Troubleshooting - Warranty and after-service

If an abnormal operation (such as smoke, strange odor or excessive sound) should occur, stop using the projector immediately.

Otherwise if a problem occurs with the projector, first refer to “Troubleshooting” of **User’s Manual**, **Instant Stack Guide** and **Network Guide** and run through the suggested checks.

If this does not resolve the problem, please consult your dealer or service company. They will tell you what warranty condition is applied.

Please check the following web address where you may find the latest information for this projector.

Product information and Manuals:

<http://www.infocus.com/support>

NOTE • The information in this manual is subject to change without notice.

- The manufacturer assumes no responsibility for any errors that may appear in this manual.
- The reproduction, transfer or copy of all or any part of this document is not permitted without express written consent.

Trademark acknowledgment

- Mac[®], Macintosh[®] and Mac OS[®] are registered trademarks of Apple Inc.
- Pentium[®] is a registered trademark of Intel Corp.
- Adobe[®] and Acrobat[®], Reader[®] are registered trademarks of Adobe Systems Incorporated.
- Microsoft[®], Internet Explorer[®], Windows[®], Windows NT[®] and Windows Vista[®] are registered trademarks of Microsoft Corporation in the U.S. and/or other countries.
- PowerPC[®] is a registered trademark of International Business Machines Corporation.
- HDMI[®], the HDMI logo and High-Definition Multimedia Interface are trademarks or registered trademarks of HDMI Licensing LLC in the United States and other countries.
- Blu-ray Disc is a trademark.

All other trademarks are the properties of their respective owners.

End User License Agreement for the Projector Software

Software in the projector consists of the plural number of independent software modules and there exist our copyright or/and third party copyrights for each of such software modules. The projector also uses software modules that we have developed or/and produced. And there exist our copyright and intellectual property for each of such software and related items including but not limited to the software related documents.

These rights above are protected by copyright law and other applicable laws. And the projector uses software modules licensed as Freeware upon GNU GENERAL PUBLIC LICENSE Version 2 and GNU LESSER GENERAL PUBLIC LICENSE Version 2.1 established by Free Software Foundation, Inc. (U.S.) or license agreements for each software.

Refer to the following web page for license agreements for such software modules and other software: <http://www.infocus.com>

Contact dealer in your region for inquiry regarding licensed software. Refer to license agreement of each software in following pages and license agreements of each software on the web page for detail of the license conditions and so on. (The original in English is carried since the license agreement following is established by third party other than us.)

Because the program (the software module) is licensed free of charge, the program is provided "as is" without warranty of any kind, either expressed or implied, to the extent permitted by applicable law. And we do not take any responsibility or compensate for loss of any kind (including but not limited to loss of data, loss of accuracy or loss of compatibility with interface between other programs) by the software concerned or/and use of the software concerned to the extent permitted by applicable law.

Accord de licence d'utilisateur final pour le logiciel du projecteur

Le logiciel de ce projecteur est composé de plusieurs modules logiciels indépendants avec des droits d'auteurs nous appartenant et/ou appartenant à des tiers pour chacun desdits modules logiciels. Le projecteur utilise également des modules logiciels que nous avons mis au point et/ou produits. Nous détenons également des droits d'auteur et de propriété intellectuelle pour chacun desdits logiciels et des éléments connexes, y compris, mais sans s'y limiter pour les documents relatifs aux logiciels.

Les droits susmentionnés sont protégés par la législation sur le copyright et d'autres lois applicables. Et le projecteur utilise les modules de logiciel accordés en licence en tant que logiciel libre sous GNU General Public License Version 2 et GNU Lesser General Public License Version 2.1 établis par Free Software Foundation, Inc. (États-Unis) ou autres accords de licence pour chaque logiciel.

Consultez la page Web suivante pour les accords de licence pour lesdits modules logiciels et d'autres logiciels: <http://www.infocus.com>

Adressez-vous à votre revendeur pour toute question sur les logiciels sous licence. Consultez les accords de licence de chaque logiciel aux pages suivantes et les accords de licence de chaque logiciel sur la page Web pour le détail des conditions de licence, etc. (Étant donné que les accords de licence suivants sont établis par un tiers autre que nous, ils sont stipulés en anglais.)

Étant donné que le programme (le module logiciel) est accordé sous licence gratuitement, le programme est fourni sans aucune garantie, explicite ou implicite, dans la mesure permise par la loi. Et nous n'assumons aucune responsabilité ni ne compensons pour la perte de toute sorte (y compris, mais sans s'y limiter les pertes de données, la perte de précision ou la perte de compatibilité avec une interface entre d'autres programmes) par le logiciel concerné et/ou l'utilisation du logiciel concerné dans la mesure permise par la loi.

Endbenutzerlizenzvereinbarung für die Projektorsoftware

Die Projektorsoftware besteht aus einer Vielzahl unabhängiger Softwaremodule, und jedes dieser Softwaremodule unterliegt dem Urheberrecht von uns und/oder dem Urheberrecht Dritter. Der Projektor verwendet zudem durch uns entwickelte und/oder produzierte Softwaremodule. Für jedes dieser Softwaremodule sowie deren Zubehör, einschließlich, aber nicht beschränkt auf die zur Software gehörigen Dokumente, unterliegen dem Urheberrecht und dem geistigen Eigentumsrecht von uns.

Die obigen Rechte sind durch das Urheberschutzgesetz und anderes geltendes Recht geschützt. Zudem verwendet der Projektor Softwaremodule, die unter GNU General Public License Version 2 und GNU Lesser General Public License Version 2.1 der Free Software Foundation, Inc. (USA) bzw. unter den Lizenzvereinbarungen für die einzelnen Softwaremodule als Freeware lizenziert sind.

Informationen zu den Lizenzvereinbarungen für derartige Softwaremodule und sonstige Software finden Sie auf der folgenden Webseite: <http://www.infocus.com>

Wenden Sie sich bei Fragen zu Lizenzsoftware an Ihren Vertragshändler. Detaillierte Informationen die den Lizenzbedingungen finden Sie in den Lizenzvereinbarungen der jeweiligen Software auf den folgenden Seiten sowie den Lizenzvereinbarungen der jeweiligen Software auf der Webseite. (Da die folgenden Lizenzvereinbarungen durch Dritte festgelegt wurden, sind sie im englischen Original wiedergegeben).

Da das Programm (das Softwaremodul) kostenfrei bereitgestellt wird, erfolgt die Bereitstellung in gesetzlich zulässigem Umfang ohne Mängelgewähr und ohne Gewährleistung in irgendeiner Form, weder ausdrücklich noch stillschweigend. Wir schließen in gesetzlich zulässigem Umfang jede Haftung für Verluste irgendeiner Art (einschließlich, jedoch nicht beschränkt auf den Verlust von Daten, Genauigkeit oder Kompatibilität mit anderen Programmen) durch die betreffende Software und/oder die Verwendung der betreffenden Software aus.

Acuerdo de licencia de usuario final para el software del proyector

El software incluido en el proyector consta del número plural de módulos de software independientes y contamos con nuestro derecho de reproducción y/o los derechos de reproducción de terceros para cada uno de los módulos del software. El proyector también utiliza módulos de software que hemos desarrollado y/o producido. Contamos con derechos de reproducción y propiedad intelectual para cada uno de los software y elementos relacionados, incluidos, a título de ejemplo, los documentos relacionados con el software.

Los derechos de arriba están protegidos por la ley de derechos de reproducción y otras leyes aplicables. Y el proyector utiliza módulos de software con licencia como freeware en la GNU General Public License Version 2 y la GNU Lesser General Public License Version 2.1 establecida por Free Software Foundation, Inc. (EE.UU.) o acuerdos de licencia para cada software.

Consulte los acuerdos de licencia de dichos módulos de software y otro software en la siguiente página Web: <http://www.infocus.com>

Si tiene alguna duda sobre el software otorgado bajo licencia, póngase en contacto con su distribuidor. Para conocer los detalles de las condiciones de licencia y otras cosas, consulte los acuerdos de licencia de cada software en las siguientes páginas y los acuerdos de licencia de cada software en la página Web. (Como los siguientes acuerdos de licencia han sido establecidos por un tercero diferente a nosotros, se indican en su original, en inglés.)

Como la licencia del programa (el módulo de software) se concede gratuitamente, el programa se ofrece sin garantías de ningún tipo, bien expresas o implícitas, en la medida permitida por la ley aplicable. Y no aceptamos ninguna responsabilidad ni compensamos por pérdidas de ningún tipo (incluido, a título de ejemplo, pérdida de datos, pérdida de precisión o pérdida de compatibilidad con interfaz entre otros programas) por parte del software en cuestión y/o la utilización del software en la medida permitida por la ley aplicable.

Accordo di licenza dell'utente finale per il software del proiettore

Il software del proiettore è costituito da diversi moduli software indipendenti, su ognuno dei quali sussiste il nostro copyright e/o i copyright di terzi. Inoltre, il proiettore utilizza moduli software sviluppati e/o prodotti da noi. Il nostro copyright e la nostra proprietà intellettuale si applicano a ciascuno di questi software e ai prodotti annessi, compresi, ma non limitati, ai documenti relativi ai software.

I diritti di cui sopra sono tutelati dalla legge sul copyright e dalle altre leggi applicabili. Il proiettore utilizza moduli software concessi in licenza come freeware in conformità alla GNU General Public License Version 2 e alla GNU Lesser General Public License Version 2.1, stabilite dalla Free Software Foundation, Inc. (Stati Uniti) o dagli accordi di licenza per ciascun software.

Consultare la seguente pagina web per gli accordi di licenza relativi a tali moduli software e ad altri software: <http://www.infocus.com>

Rivolgersi al rivenditore per ulteriori informazioni riguardanti il software concesso in licenza. Consultare gli accordi di licenza di ciascun software alle seguenti pagine e gli accordi di licenza di ciascun software sulla pagina web per informazioni sulle condizioni di licenza e così via. (Siccome i seguenti accordi di licenza sono stabiliti da un terzo e non da noi, sono riportati nella versione originale in lingua inglese.)

Siccome il programma (il modulo software) è concesso in licenza a titolo gratuito, il programma viene fornito così com'è, senza garanzia di alcun tipo, né espressa né implicita, nei limiti consentiti dalla legge applicabile. Inoltre, non ci assumiamo responsabilità alcuna e non provvederemo ad alcun risarcimento per qualsivoglia perdita (compresa, ma non limitata a, perdita di dati, perdita di precisione o perdita di compatibilità con l'interfaccia tra altri programmi) risultante dal software in oggetto e/o dall'utilizzo di tale software, nei limiti consentiti dalla legge applicabile.

Gebruiksrechtovereenkomst (EULA) voor de projectorsoftware

De software in de projector bestaat uit verschillende onafhankelijke softwaremodules waarop ons auteursrecht en/of dat van derden is gevestigd. De projector gebruikt ook softwaremodules die wij hebben ontwikkeld en/ of geproduceerd. En op zulke software en aanverwante producten, maar niet beperkt tot documenten die betrekking hebben op software, is ook ons auteursen intellectuele eigendomsrecht gevestigd.

Bovenstaande rechten worden beschermd door de wet inzake auteursrecht en ander toepasselijk recht. En de projector gebruikt softwaremodules die staan geregistreerd als freeware volgens GNU General Public License Version 2 en GNU Lesser General Public License Version 2.1 van Free Software Foundation, Inc. (VS) of gebruiksrechtovereenkomsten voor elke software.

Raadpleeg de volgende webpagina voor de gebruiksrechtovereenkomsten betreffende zulke softwaremodules en andere software: <http://www.infocus.com>

Neem contact op met uw dealer voor inlichtingen betreffende software waarop een gebruiksrecht is gevestigd. Raadpleeg de gebruiksrechtovereenkomsten van alle software op de volgende pagina's en gebruiksrechtovereenkomsten van alle software op de webpagina voor meer details over de gebruiksvoorwaarden enz. (Aangezien de volgende gebruiksrechtovereenkomsten niet door ons, maar door derden werden opgesteld, zijn ze oorspronkelijk opgesteld in de Engelse taal.)

Omdat het programma (de softwaremodule) een gratis gebruiksrecht heeft, wordt het programma zo ter beschikking gesteld zonder enige garantie, uitdrukkelijk noch impliciet, voor zover bij wet toegestaan. En we aanvaarden geen aansprakelijkheid noch betalen een schadevergoeding uit voor eventueel verlies (inclusief, maar niet beperkt tot verlies van gegevens, nauwkeurigheid of compatibiliteit met interface tussen andere programma's) door de respectieve software en/of het gebruik van de respectieve software voor zover bij wet toegestaan.

Contrato de licença do utilizador final para o software do projector

Software no projector consiste no número plural de módulos de software independentes e aí residem os nossos direitos de autor e/ou direitos de autor de terceiros para cada um desses módulos de software. O projector também utiliza módulos de software que desenvolvemos e/ou produzimos. E aí residem os nossos direitos de autor e propriedade intelectual para esse software e itens relacionados mas não limitados aos documentos relacionados com o software.

Os direitos acima estão protegidos pela lei de direitos de autor e outras leis aplicáveis. E o projector utiliza módulos de software licenciados como freeware de acordo com GNU General Public License Version 2 e GNU Lesser General Public License Version 2.1 estabelecidas pela Free Software Foundation, Inc. (E.U.A.) ou contratos de licença para cada software.

Consulte a página de Internet seguinte para contratos de licença para tais módulos de software e outro software: <http://www.infocus.com>

Em caso de dúvidas, contacte o seu revendedor relativamente ao software licenciado. Consulte os contratos de licença de cada software nas páginas seguintes e contratos de licença de cada software na página de Internet para detalhes sobre as condições da licença e assim por diante. (Uma vez que os contratos de licença seguintes são estabelecidos por terceiros, estes são declarados no inglês original.)

Uma vez que o programa (módulo de software) é licenciado gratuitamente, o programa é fornecido tal como está sem qualquer tipo de garantia, expressa ou implícita, até ao limite permitido pela lei aplicável. E não nos responsabilizamos nem compensamos por qualquer tipo de perda (incluindo mas não limitado a perda de dados, perda de precisão ou perda de compatibilidade com a interface entre outros programas) pelo software em questão e/ou utilização do software em questão até ao limite permitido pela lei aplicável.

投影机软件的终端用户许可协议

投影机的软件包含多个独立软件模块，每个软件模块均拥有我们的版权和/或第三方的版权。投影机还使用我们开发或/和制造的软件模块。各软件和相关产品均拥有我们的版权和知识产权，包括但不限于软件相关文档。

以上权利受版权法律和其他适用法律的保护。基于 Free Software Foundation, Inc. (U.S.) 制定的 GNU General Public License Version 2 和 GNU Lesser General Public License Version 2.1 或者各软件的许可协议，投影机使用的软件模块作为自由软件许可使用。

有关这些软件模块和其他软件的许可协议，请参阅以下网页。
网页地址：<http://www.infocus.com>

请联系您的经销商了解许可软件的相关问题。有关许可条件等问题的详情，请参阅以下各页中各软件的许可协议以及网页上各软件的许可协议。（由于以下许可协议由第三方而非我们制定，这些协议以英文原文陈述。）

程序（软件模块）的许可使用并不收费，因此在适用法律允许的范围内，提供程序时我们不作任何明示或暗示的保证。在适用法律许可的范围内，对于相关软件和/或相关软件的使用导致的任何损失（包括但不限于数据丢失、精确性降低或无法与其他程序界面兼容），我们不承担责任或赔偿。

프로젝터 소프트웨어 최종 사용자 라이선스 계약

프로젝터의 소프트웨어는 여러 개의 독립적인 소프트웨어 모듈로 구성되며 각 소프트웨어 모듈에는 당사 및 / 또는 타사의 저작권이 존재합니다 . 본 프로젝트는 당사에서 개발 및 / 또는 제작한 소프트웨어 모듈도사용합니다 . 또한 모든 소프트웨어와 소프트웨어 관련 문서 (이에 한정되지 않음) 를 포함한 관련 항목에는 당사의 저작권과 지적 재산권이 존재합니다 .

위의 권리들은 저작권법과 기타 적용 가능한 법률에 의해 보호됩니다 . 또한 본 프로젝트는 Free Software Foundation, Inc.(미국) 에서 만든 GNU General Public License Version 2 및 GNU Lesser General Public License Version 2.1 또는 각 소프트웨어의 라이선스 계약에 의거하여 프리웨어로 사용 허가를 받았습니다 .

그러한 소프트웨어 모듈과 기타 소프트웨어의 라이선스 계약은 다음 웹 페이지를 참조하십시오 : <http://www.infocus.com>

사용 허가된 소프트웨어에 대해 궁금한 사항이 있을 경우 대리점에 문의하십시오 . 라이선스 조건 등에 대한 자세한 내용은 다음 페이지 의 각 소프트웨어 라이선스 계약 및 웹 페이지의 각 소프트웨어 라이선스 계약을 참조하십시오 . (다음 라이선스 계약은 당사가 아닌 타사에서작성한 것이므로 원본 영문으로 표시됩니다 .)

본 프로그램 (소프트웨어 모듈) 은 무료로 사용이 허가되었으므로 적용법률이 허용하는 한도 내에서 어떠한 명시적 또는 묵시적 보증 없이 있는 그대로 제공됩니다 . 또한 당사는 적용 법률이 허용하는 한도 내에서데이터 손실 , 정확성 결핍 또는 다른 프로그램들을 연결하는 인터페이스 와의 호환성 결핍 (이에 한정되지 않음) 등 소프트웨어 및 / 또는 소프트웨어 사용으로 인한 손실에 대해 책임을 지거나 보상하지 않습니다 .

Slutanvändarlicensavtal för projektorns programvara

Programvaran i projektorn består av flera olika oberoende programvarumoduler och vår upphovsrätt och/eller tredje parts upphovsrätter existerar för var och en av dessa programvarumoduler. Projektorn har även programvarumoduler som har utvecklats och/eller skapats. Vår upphovsrätt och intellektuell egendom existerar för var och en av sådana programvaror och relaterade föremål, inklusive, men inte begränsat till, programvarans relaterade dokument.

Ovanstående rättigheter skyddas av upphovsrättslag och andra tillämpliga lagar. Projektorn använder programvarumoduler som är licensierade som gratisprogram enligt GNU General Public License Version 2 och GNU Lesser General Public License Version 2.1 utvecklade av Free Software Foundation, Inc. (USA.) eller licensavtal för varje programvara.

Se följande webbsida för licensavtal för sådana programvarumoduler och andra programvaror: <http://www.infocus.com>

Kontakta din återförsäljare för frågor angående licensierad programvara. Se licensavtal för varje programvara på följande sidor och licensavtal för varje programvara på webbsidan för detaljer om licensvillkor och så vidare. (Eftersom följande licensavtal upprättats av en tredje part och inte av oss, är originaltexten på engelska.)

Eftersom programmet (programvarumodulen) är licensierad som gratisprogram, levereras programmet i befintligt skick utan någon typ av garanti, vare sig uttryckt eller underförstådd, till den omfattning som är tillåtet enligt tillämplig lag. Vi åtar oss inget ansvar eller kompensation för förlust av något slag (inklusive men inte begränsat till förlust av data, exakthet eller kompatibilitet med gränssnitt mellan andra program) för den programvara som avses och/eller bruk av den programvara som avses till den omfattning som är tillåtet enligt tillämplig lag.

Лицензионное соглашение с конечным пользователем об использовании программного обеспечения проектора

Программное обеспечение проектора состоит из нескольких самостоятельных модулей программного обеспечения; при этом авторские права и/или авторские права третьих сторон существуют в отношении каждого из подобных модулей программного обеспечения. Проектор также использует программное обеспечение, разработанное и/или предоставленное нашей компанией. Мы располагаем авторскими правами и правами на интеллектуальную собственность в отношении каждого подобного программного обеспечения и связанных с ним материалов, включая, в частности, документацию по программному обеспечению.

Вышеуказанные права защищаются законом об авторских правах и другими применимыми законами. Проектор также использует модули программного обеспечения, распространяемые бесплатно в соответствии с GNU General Public License Version 2, и GNU Lesser General Public License Version 2.1, используемыми компанией Free Software Foundation, Inc. (США) или лицензионными соглашениями на каждое программное обеспечение.

Лицензионные соглашения для подобных модулей программного обеспечения и другого программного обеспечения приведены на следующей веб-странице: <http://www.infocus.com>

Информацию о лицензированном программном обеспечении можно получить у дилера. Подробные данные по условиям лицензирования и другим вопросам приведены в лицензионных соглашениях по каждому программному обеспечению, приведенных на следующих страницах, и лицензионных соглашениях по каждому программному обеспечению, приведенных на веб-странице. (Поскольку следующие лицензионные соглашения предоставлены третьими сторонами, приводятся их оригинальные тексты на английском языке.)

Поскольку программа (модуль программного обеспечения) предоставляется бесплатно, она предоставляется на условиях "как есть", без каких-либо прямых или косвенных гарантий какого-либо рода в той степени, в которой это разрешается применимым законодательством. Мы также не несем ответственности и не предоставляем компенсаций за какие-либо потери (включая, в частности, потерю данных, искажение или отсутствие совместимости интерфейса с другими программами) соответствующего программного обеспечения и/или за использование соответствующего программного обеспечения в той степени, в которой это разрешается применимым законодательством.

Perjanjian Lisensi Pengguna Akhir untuk Perangkat Lunak Proyektor

Perangkat lunak di proyektor terdiri dari sejumlah modul perangkat lunak independen dan ada hak cipta kami atau/dan hak cipta pihak ketiga untuk tiap modul perangkat lunak tersebut. Proyektor juga menggunakan modul perangkat lunak yang kami kembangkan atau/dan produksi. Dan ada hak cipta kami atau kekayaan intelektual untuk tiap perangkat lunak tersebut serta item terkait, termasuk namun tidak terbatas pada dokumen menyangkut perangkat lunak tersebut.

Hak-hak di atas ini dilindungi oleh hukum hak cipta dan hukum lainnya yang berlaku. Dan proyektor ini menggunakan berbagai modul perangkat lunak yang berlisensi Freeware berdasar GNU GENERAL PUBLIC LICENSE Versi 2 dan GNU LESSER GENERAL PUBLIC LICENSE Versi 2.1 yang ditetapkan oleh Free Software Foundation, Inc. (A.S.) atau perjanjian lisensi untuk tiap perangkat lunak.

Lihatlah halaman Web berikut untuk perjanjian lisensi bagi modul perangkat lunak demikian dan perangkat lunak lainnya: <http://www.infocus.com>

Hubungi dealer di wilayah Anda untuk mendapatkan informasi mengenai perangkat lunak berlisensi. Lihat untuk perjanjian lisensi setiap perangkat lunak di halaman berikut dan perjanjian lisensi tiap perangkat lunak di halaman Web guna mengetahui perincian persyaratan lisensi dan seterusnya. (Aslinya dalam bahasa Inggris adalah yang berlaku karena perjanjian lisensi dibuat oleh pihak ketiga selain kami.)

Karena program (modul perangkat lunak) berlisensi bebas biaya, maka program ini disediakan "apa adanya" tanpa garansi apa pun, baik tersurat maupun tersirat, sejauh yang diizinkan oleh hukum yang berlaku. Dan kami tidak bertanggung jawab atau mengganti segala kerugian apa pun (termasuk namun tidak terbatas pada kehilangan data, kehilangan akurasi atau kehilangan kompatibilitas pada antarmuka dengan program lainnya) melalui perangkat lunak terkait atau/dan penggunaan perangkat lunak terkait sejauh yang diizinkan oleh hukum yang berlaku.

GNU GENERAL PUBLIC LICENSE

Version 2, June 1991

Copyright © 1989, 1991 Free Software Foundation, Inc.

51 Franklin St, Fifth Floor, Boston, MA 02110-1301 USA

Everyone is permitted to copy and distribute verbatim copies of this license document, but changing it is not allowed.

Preamble

The licenses for most software are designed to take away your freedom to share and change it. By contrast, the GNU General Public License is intended to guarantee your freedom to share and change free software--to make sure the software is free for all its users. This General Public License applies to most of the Free Software Foundation's software and to any other program whose authors commit to using it. (Some other Free Software Foundation software is covered by the GNU Library General Public License instead.) You can apply it to your programs, too. When we speak of free software, we are referring to freedom, not price. Our General Public Licenses are designed to make sure that you have the freedom to distribute copies of free software (and charge for this service if you wish), that you receive source code or can get it if you want it, that you can change the software or use pieces of it in new free programs; and that you know you can do these things.

To protect your rights, we need to make restrictions that forbid anyone to deny you these rights or to ask you to surrender the rights. These restrictions translate to certain responsibilities for you if you distribute copies of the software, or if you modify it. For example, if you distribute copies of such a program, whether gratis or for a fee, you must give the recipients all the rights that you have. You must make sure that they, too, receive or can get the source code. And you must show them these terms so they know their rights. We protect your rights with two steps: (1) copyright the software, and (2) offer you this license which gives you legal permission to copy, distribute and/or modify the software. Also, for each author's protection and ours, we want to make certain that everyone understands that there is no warranty for this free software. If the software is modified by someone else and passed on, we want its recipients to know that what they have is not the original, so that any problems introduced by others will not reflect on the original authors' reputations. Finally, any free program is threatened constantly by software patents. We wish to avoid the danger that redistributors of a free program will individually obtain patent licenses, in effect making the program proprietary. To prevent this, we have made it clear that any patent must be licensed for everyone's free use or not licensed at all.

The precise terms and conditions for copying, distribution and modification follow.
GNU GENERAL PUBLIC LICENSE TERMS AND CONDITIONS FOR COPYING,
DISTRIBUTION AND MODIFICATION

0. This License applies to any program or other work which contains a notice placed by the copyright holder saying it may be distributed under the terms of this General Public License. The "Program", below, refers to any such program or work, and a "work based on the Program" means either the Program or any derivative work under copyright law: that is to say, a work containing the Program or a portion of it, either verbatim or with modifications and/or translated into another language. (Hereinafter, translation is included without limitation in the term "modification".) Each licensee is addressed as "you". Activities other than copying, distribution and modification are not covered by this License; they are outside its scope. The act of running the Program is not restricted, and the output from the Program is covered only if its contents constitute a work based on the Program (independent of having been made by running the Program). Whether that is true depends on what the Program does.

1. You may copy and distribute verbatim copies of the Program's source code as you receive it, in any medium, provided that you conspicuously and appropriately publish on each copy an appropriate copyright notice and disclaimer of warranty; keep intact all the notices that refer to this License and to the absence of any warranty; and give any other recipients of the Program a copy of this License along with the Program. You may charge a fee for the physical act of transferring a copy, and you may at your option offer warranty protection in exchange for a fee.

2. You may modify your copy or copies of the Program or any portion of it, thus forming a work based on the Program, and copy and distribute such modifications or work under the terms of Section 1 above, provided that you also meet all of these conditions:

a) You must cause the modified files to carry prominent notices stating that you changed the files and the date of any change. b) You must cause any work that you distribute or publish, that in whole or in part contains or is derived from the Program or any part thereof, to be licensed as a whole at no charge to all third parties under the terms of this License. c) If the modified program normally reads commands interactively when run, you must cause it, when started running for such interactive use in the most ordinary way, to print or display an announcement including an appropriate copyright notice and a notice that there is no warranty (or else, saying that you provide a warranty) and that users may redistribute the program under these conditions, and telling the user how to view a copy of this License. (Exception: if the Program itself is interactive but does not normally print such an announcement, your work based on the Program is not required to print an announcement.) These requirements apply to the modified work as a whole. If identifiable sections of that work are not derived from the Program, and can be reasonably considered independent and separate works in themselves, then this License, and its terms, do not apply to those sections when you distribute them as separate works. But when you distribute the same sections as part of a whole which is a work based on the Program, the distribution of the whole must be on the terms of this License, whose permissions for other licensees extend to the entire whole, and thus to each and every part regardless of who wrote it. Thus, it is not the intent of this section to claim rights or contest your rights to work written entirely

by you; rather, the intent is to exercise the right to control the distribution of derivative or collective works based on the Program. In addition, mere aggregation of another work not based on the Program with the Program (or with a work based on the Program) on a volume of a storage or distribution medium does not bring the other work under the scope of this License.

3. You may copy and distribute the Program (or a work based on it, under Section 2) in object code or executable form under the terms of Sections 1 and 2 above provided that you also do one of the following:

a) Accompany it with the complete corresponding machine-readable source code, which must be distributed under the terms of Sections 1 and 2 above on a medium customarily used for software interchange; or, b) Accompany it with a written offer, valid for at least three years, to give any third party, for a charge no more than your cost of physically performing source distribution, a complete machine-readable copy of the corresponding source code, to be distributed under the terms of Sections 1 and 2 above on a medium customarily used for software interchange; or, c) Accompany it with the information you received as to the offer to distribute corresponding source code. (This alternative is allowed only for noncommercial distribution and only if you received the program in object code or executable form with such an offer, in accord with Subsection b above.) The source code for a work means the preferred form of the work for making modifications to it. For an executable work, complete source code means all the source code for all modules it contains, plus any associated interface definition files, plus the scripts used to control compilation and installation of the executable. However, as a special exception, the source code distributed need not include anything that is normally distributed (in either source or binary form) with the major components (compiler, kernel, and so on) of the operating system on which the executable runs, unless that component itself accompanies the executable. If distribution of executable or object code is made by offering access to copy from a designated place, then offering equivalent access to copy the source code from the same place counts as distribution of the source code, even though third parties are not compelled to copy the source along with the object code.

4. You may not copy, modify, sublicense, or distribute the Program except as expressly provided under this License. Any attempt otherwise to copy, modify, sublicense or distribute the Program is void, and will automatically terminate your rights under this License. However, parties who have received copies, or rights, from you under this License will not have their licenses terminated so long as such parties remain in full compliance.

5. You are not required to accept this License, since you have not signed it. However, nothing else grants you permission to modify or distribute the Program or its derivative works. These actions are prohibited by law if you do not accept this License. Therefore, by modifying or distributing the Program (or any work based on the Program), you indicate your acceptance of this License to do so, and all its terms and conditions for copying, distributing or modifying the Program or works based on it.

6. Each time you redistribute the Program (or any work based on the Program), the recipient automatically receives a license from the original licensor to copy, distribute or

modify the Program subject to these terms and conditions. You may not impose any further restrictions on the recipients' exercise of the rights granted herein. You are not responsible for enforcing compliance by third parties to this License.

7. If, as a consequence of a court judgment or allegation of patent infringement or for any other reason (not limited to patent issues), conditions are imposed on you (whether by court order, agreement or otherwise) that contradict the conditions of this License, they do not excuse you from the conditions of this License. If you cannot distribute so as to satisfy simultaneously your obligations under this License and any other pertinent obligations, then as a consequence you may not distribute the Program at all. For example, if a patent license would not permit royalty-free redistribution of the Program by all those who receive copies directly or indirectly through you, then the only way you could satisfy both it and this License would be to refrain entirely from distribution of the Program. If any portion of this section is held invalid or unenforceable under any particular circumstance, the balance of the section is intended to apply and the section as a whole is intended to apply in other circumstances. It is not the purpose of this section to induce you to infringe any patents or other property right claims or to contest validity of any such claims; this section has the sole purpose of protecting the integrity of the free software distribution system, which is implemented by public license practices. Many people have made generous contributions to the wide range of software distributed through that system in reliance on consistent application of that system; it is up to the author/donor to decide if he or she is willing to distribute software through any other system and a licensee cannot impose that choice.

This section is intended to make thoroughly clear what is believed to be a consequence of the rest of this License.

8. If the distribution and/or use of the Program is restricted in certain countries either by patents or by copyrighted interfaces, the original copyright holder who places the Program under this License may add an explicit geographical distribution limitation excluding those countries, so that distribution is permitted only in or among countries not thus excluded. In such case, this License incorporates the limitation as if written in the body of this License.

9. The Free Software Foundation may publish revised and/or new versions of the General Public License from time to time. Such new versions will be similar in spirit to the present version, but may differ in detail to address new problems or concerns. Each version is given a distinguishing version number. If the Program specifies a version number of this License which applies to it and "any later version", you have the option of following the terms and conditions either of that version or of any later version published by the Free Software Foundation. If the Program does not specify a version number of this License, you may choose any version ever published by the Free Software Foundation.

10. If you wish to incorporate parts of the Program into other free programs whose distribution conditions are different, write to the author to ask for permission. For software which is copyrighted by the Free Software Foundation, write to the Free Software

Foundation; we sometimes make exceptions for this. Our decision will be guided by the two goals of preserving the free status of all derivatives of our free software and of promoting the sharing and reuse of software generally.

NO WARRANTY

11. BECAUSE THE PROGRAM IS LICENSED FREE OF CHARGE, THERE IS NO WARRANTY FOR THE PROGRAM, TO THE EXTENT PERMITTED BY APPLICABLE LAW. EXCEPT WHEN OTHERWISE STATED IN WRITING THE COPYRIGHT HOLDERS AND/OR OTHER PARTIES PROVIDE THE PROGRAM "AS IS" WITHOUT WARRANTY OF ANY KIND, EITHER EXPRESSED OR IMPLIED, INCLUDING, BUT NOT LIMITED TO, THE IMPLIED WARRANTIES OF MERCHANTABILITY AND FITNESS FOR A PARTICULAR PURPOSE. THE ENTIRE RISK AS TO THE QUALITY AND PERFORMANCE OF THE PROGRAM IS WITH YOU. SHOULD THE PROGRAM PROVE DEFECTIVE, YOU ASSUME THE COST OF ALL NECESSARY SERVICING, REPAIR OR CORRECTION.

12. IN NO EVENT UNLESS REQUIRED BY APPLICABLE LAW OR AGREED TO IN WRITING WILL ANY COPYRIGHT HOLDER, OR ANY OTHER PARTY WHO MAY MODIFY AND/OR REDISTRIBUTE THE PROGRAM AS PERMITTED ABOVE, BE LIABLE TO YOU FOR DAMAGES, INCLUDING ANY GENERAL, SPECIAL, INCIDENTAL OR CONSEQUENTIAL DAMAGES ARISING OUT OF THE USE OR INABILITY TO USE THE PROGRAM (INCLUDING BUT NOT LIMITED TO LOSS OF DATA OR DATA BEING RENDERED INACCURATE OR LOSSES SUSTAINED BY YOU OR THIRD PARTIES OR A FAILURE OF THE PROGRAM TO OPERATE WITH ANY OTHER PROGRAMS), EVEN IF SUCH HOLDER OR OTHER PARTY HAS BEEN ADVISED OF THE POSSIBILITY OF SUCH DAMAGES.

END OF TERMS AND CONDITIONS

How to Apply These Terms to Your New Programs

If you develop a new program, and you want it to be of the greatest possible use to the public, the best way to achieve this is to make it free software which everyone can redistribute and change under these terms. To do so, attach the following notices to the program. It is safest to attach them to the start of each source file to most effectively convey the exclusion of warranty; and each file should have at least the "copyright" line and a pointer to where the full notice is found.

```
<one line to give the program's name and a brief idea of what it does.>  
Copyright © <year> <name of author>
```

This program is free software; you can redistribute it and/or modify it under the terms of the GNU General Public License as published by the Free Software Foundation; either version 2 of the License, or (at your option) any later version. This program is distributed

in the hope that it will be useful, but WITHOUT ANY WARRANTY; without even the implied warranty of MERCHANTABILITY or FITNESS FOR A PARTICULAR PURPOSE. See the GNU General Public License for more details. You should have received a copy of the GNU General Public License along with this program; if not, write to the Free Software Foundation, Inc., 51 Franklin St, Fifth Floor, Boston, MA 02110-1301 USA Also add information on how to contact you by electronic and paper mail.

If the program is interactive, make it output a short notice like this when it starts in an interactive mode:

Gnomovision version 69, Copyright © year name of author Gnomovision comes with ABSOLUTELY NO WARRANTY; for details type `show w'. This is free software, and you are welcome to redistribute it under certain conditions; type `show c' for details. The hypothetical commands `show w' and `show c' should show the appropriate parts of the General Public License. Of course, the commands you use may be called something other than `show w' and `show c'; they could even be mouse-clicks or menu items-- whatever suits your program. You should also get your employer (if you work as a programmer) or your school, if any, to sign a "copyright disclaimer" for the program, if necessary. Here is a sample; alter the names:

Yoyodyne, Inc., hereby disclaims all copyright interest in the program `Gnomovision' (which makes passes at compilers)
written by James Hacker.
<signature of Ty Coon>, 1 April 1989
Ty Coon, President of Vice

This General Public License does not permit incorporating your program into proprietary programs. If your program is a subroutine library, you may consider it more useful to permit linking proprietary applications with the library. If this is what you want to do, use the GNU Library General Public License instead of this License.

GNU LESSER GENERAL PUBLIC LICENSE

Version 2.1, February 1999

Copyright © 1991, 1999 Free Software Foundation, Inc. 51 Franklin St, Fifth Floor, Boston, MA 02110-1301 USA

Everyone is permitted to copy and distribute verbatim copies of this license document, but changing it is not allowed. [This is the first released version of the Lesser GPL. It also counts as the successor of the GNU Library Public License, version 2, hence the version number 2.1.]

Preamble

The licenses for most software are designed to take away your freedom to share and change it. By contrast, the GNU General Public Licenses are intended to guarantee your freedom to share and change free software--to make sure the software is free for all its users. This license, the Lesser General Public License, applies to some specially designated software packages--typically libraries--of the Free Software Foundation and other authors who decide to use it. You can use it too, but we suggest you first think carefully about whether this license or the ordinary General Public License is the better strategy to use in any particular case, based on the explanations below. When we speak of free software, we are referring to freedom of use, not price. Our General Public Licenses are designed to make sure that you have the freedom to distribute copies of free software (and charge for this service if you wish); that you receive source code or can get it if you want it; that you can change the software and use pieces of it in new free programs; and that you are informed that you can do these things.

To protect your rights, we need to make restrictions that forbid distributors to deny you these rights or to ask you to surrender these rights. These restrictions translate to certain responsibilities for you if you distribute copies of the library or if you modify it. For example, if you distribute copies of the library, whether gratis or for a fee, you must give the recipients all the rights that we gave you. You must make sure that they, too, receive or can get the source code. If you link other code with the library, you must provide complete object files to the recipients, so that they can relink them with the library after making changes to the library and recompiling it. And you must show them these terms so they know their rights. We protect your rights with a two-step method: (1) we copyright the library, and (2) we offer you this license, which gives you legal permission to copy, distribute and/or modify the library.

To protect each distributor, we want to make it very clear that there is no warranty for the free library. Also, if the library is modified by someone else and passed on, the recipients should know that what they have is not the original version, so that the original author's

reputation will not be affected by problems that might be introduced by others. Finally, software patents pose a constant threat to the existence of any free program. We wish to make sure that a company cannot effectively restrict the users of a free program by obtaining a restrictive license from a patent holder. Therefore, we insist that any patent license obtained for a version of the library must be consistent with the full freedom of use specified in this license. Most GNU software, including some libraries, is covered by the ordinary GNU General Public License.

This license, the GNU Lesser General Public License, applies to certain designated libraries, and is quite different from the ordinary General Public License. We use this license for certain libraries in order to permit linking those libraries into non-free programs. When a program is linked with a library, whether statically or using a shared library, the combination of the two is legally speaking a combined work, a derivative of the original library. The ordinary General Public License therefore permits such linking only if the entire combination fits its criteria of freedom. The Lesser General Public License permits more lax criteria for linking other code with the library. We call this license the "Lesser" General Public License because it does Less to protect the user's freedom than the ordinary General Public License. It also provides other free software developers Less of an advantage over competing nonfree programs. These disadvantages are the reason we use the ordinary General Public License for many libraries. However, the Lesser license provides advantages in certain special circumstances.

For example, on rare occasions, there may be a special need to encourage the widest possible use of a certain library, so that it becomes a de-facto standard. To achieve this, non-free programs must be allowed to use the library. A more frequent case is that a free library does the same job as widely used non-free libraries. In this case, there is little to gain by limiting the free library to free software only, so we use the Lesser General Public License. In other cases, permission to use a particular library in nonfree programs enables a greater number of people to use a large body of free software. For example, permission to use the GNU C Library in non-free programs enables many more people to use the whole GNU operating system, as well as its variant, the GNU/Linux operating system.

Although the Lesser General Public License is Less protective of the users' freedom, it does ensure that the user of a program that is linked with the Library has the freedom and the wherewithal to run that program using a modified version of the Library. The precise terms and conditions for copying, distribution and modification follow. Pay close attention to the difference between a "work based on the library" and a "work that uses the library". The former contains code derived from the library, whereas the latter must be combined with the library in order to run.

GNU LESSER GENERAL PUBLIC LICENSE TERMS AND CONDITIONS FOR COPYING, DISTRIBUTION AND MODIFICATION

0. This License Agreement applies to any software library or other program which contains a notice placed by the copyright holder or other authorized party saying it may be distributed under the terms of this Lesser General Public License (also called "this License"). Each licensee is addressed as "you". A "library" means a collection of software functions and/or data prepared so as to be conveniently linked with application programs (which use some of those functions and data) to form executables. The "Library", below, refers to any such software library or work which has been distributed under these terms. A "work based on the Library" means either the Library or any derivative work under copyright law: that is to say, a work containing the Library or a portion of it, either verbatim or with modifications and/or translated straightforwardly into another language. (Hereinafter, translation is included without limitation in the term "modification".) "Source code" for a work means the preferred form of the work for making modifications to it. For a library, complete source code means all the source code for all modules it contains, plus any associated interface definition files, plus the scripts used to control compilation and installation of the library. Activities other than copying, distribution and modification are not covered by this License; they are outside its scope. The act of running a program using the Library is not restricted, and output from such a program is covered only if its contents constitute a work based on the Library (independent of the use of the Library in a tool for writing it). Whether that is true depends on what the Library does and what the program that uses the Library does.

1. You may copy and distribute verbatim copies of the Library's complete source code as you receive it, in any medium, provided that you conspicuously and appropriately publish on each copy an appropriate copyright notice and disclaimer of warranty; keep intact all the notices that refer to this License and to the absence of any warranty; and distribute a copy of this License along with the Library. You may charge a fee for the physical act of transferring a copy, and you may at your option offer warranty protection in exchange for a fee.
2. You may modify your copy or copies of the Library or any portion of it, thus forming a work based on the Library, and copy and distribute such modifications or work under the terms of Section 1 above, provided that you also meet all of these conditions: a) The modified work must itself be a software library. b) You must cause the files modified to carry prominent notices stating that you changed the files and the date of any change. c) You must cause the whole of the work to be licensed at no charge to all third parties under the terms of this License. d) If a facility in the modified Library refers to a function or a table of data to be supplied by an application program that uses the facility, other than as an argument passed when the facility is invoked, then you must make a good faith effort to ensure that, in the event an application does not supply such function or table, the facility

still operates, and performs whatever part of its purpose remains meaningful. (For example, a function in a library to compute square roots has a purpose that is entirely well-defined independent of the application. Therefore, Subsection 2d requires that any application-supplied function or table used by this function must be optional: if the application does not supply it, the square root function must still compute square roots.) These requirements apply to the modified work as a whole. If identifiable sections of that work are not derived from the Library, and can be reasonably considered independent and separate works in themselves, then this License, and its terms, do not apply to those sections when you distribute them as separate works. But when you distribute the same sections as part of a whole which is a work based on the Library, the distribution of the whole must be on the terms of this License, whose permissions for other licensees extend to the entire whole, and thus to each and every part regardless of who wrote it. Thus, it is not the intent of this section to claim rights or contest your rights to work written entirely by you; rather, the intent is to exercise the right to control the distribution of derivative or collective works based on the Library. In addition, mere aggregation of another work not based on the Library with the Library (or with a work based on the Library) on a volume of a storage or distribution medium does not bring the other work under the scope of this License.

3. You may opt to apply the terms of the ordinary GNU General Public License instead of this License to a given copy of the Library. To do this, you must alter all the notices that refer to this License, so that they refer to the ordinary GNU General Public License, version 2, instead of to this License. (If a newer version than version 2 of the ordinary GNU General Public License has appeared, then you can specify that version instead if you wish.) Do not make any other change in these notices. Once this change is made in a given copy, it is irreversible for that copy, so the ordinary GNU General Public License applies to all subsequent copies and derivative works made from that copy. This option is useful when you wish to copy part of the code of the Library into a program that is not a library.

4. You may copy and distribute the Library (or a portion or derivative of it, under Section 2) in object code or executable form under the terms of Sections 1 and 2 above provided that you accompany it with the complete corresponding machinereadable source code, which must be distributed under the terms of Sections 1 and 2 above on a medium customarily used for software interchange. If distribution of object code is made by offering access to copy from a designated place, then offering equivalent access to copy the source code from the same place satisfies the requirement to distribute the source code, even though third parties are not compelled to copy the source along with the object code.

5. A program that contains no derivative of any portion of the Library, but is designed to work with the Library by being compiled or linked with it, is called a "work that uses the Library". Such a work, in isolation, is not a derivative work of the Library, and therefore falls outside the scope of this License. However, linking a "work that uses the Library" with the Library creates an executable that is a derivative of the Library (because it contains portions of the Library), rather than a "work that uses the library". The executable is therefore

covered by this License. Section 6 states terms for distribution of such executables. When a "work that uses the Library" uses material from a header file that is part of the Library, the object code for the work may be a derivative work of the Library even though the source code is not. Whether this is true is especially significant if the work can be linked without the Library, or if the work is itself a library. The threshold for this to be true is not precisely defined by law. If such an object file uses only numerical parameters, data structure layouts and accessors, and small macros and small inline functions (ten lines or less in length), then the use of the object file is unrestricted, regardless of whether it is legally a derivative work. (Executables containing this object code plus portions of the Library will still fall under Section 6.) Otherwise, if the work is a derivative of the Library, you may distribute the object code for the work under the terms of Section 6. Any executables containing that work also fall under Section 6, whether or not they are linked directly with the Library itself.

6. As an exception to the Sections above, you may also combine or link a "work that uses the Library" with the Library to produce a work containing portions of the Library, and distribute that work under terms of your choice, provided that the terms permit modification of the work for the customer's own use and reverse engineering for debugging such modifications. You must give prominent notice with each copy of the work that the Library is used in it and that the Library and its use are covered by this License. You must supply a copy of this License. If the work during execution displays copyright notices, you must include the copyright notice for the Library among them, as well as a reference directing the user to the copy of this License. Also, you must do one of these things: a) Accompany the work with the complete corresponding machine-readable source code for the Library including whatever changes were used in the work (which must be distributed under Sections 1 and 2 above); and, if the work is an executable linked with the Library, with the complete machine-readable "work that uses the Library", as object code and/or source code, so that the user can modify the Library and then relink to produce a modified executable containing the modified Library. (It is understood that the user who changes the contents of definitions files in the Library will not necessarily be able to recompile the application to use the modified definitions.) b) Use a suitable shared library mechanism for linking with the Library. A suitable mechanism is one that (1) uses at run time a copy of the library already present on the user's computer system, rather than copying library functions into the executable, and (2) will operate properly with a modified version of the library, if the user installs one, as long as the modified version is interface-compatible with the version that the work was made with. c) Accompany the work with a written offer, valid for at least three years, to give the same user the materials specified in Subsection 6a, above, for a charge no more than the cost of performing this distribution. d) If distribution of the work is made by offering access to copy from a designated place, offer equivalent access to copy the above specified materials from the same place. e) Verify that the user has already received a copy of these materials or that you have already sent this user a copy. For an executable, the required form of the "work that uses the Library" must include any data and utility

programs needed for reproducing the executable from it. However, as a special exception, the materials to be distributed need not include anything that is normally distributed (in either source or binary form) with the major components (compiler, kernel, and so on) of the operating system on which the executable runs, unless that component itself accompanies the executable. It may happen that this requirement contradicts the license restrictions of other proprietary libraries that do not normally accompany the operating system. Such a contradiction means you cannot use both them and the Library together in an executable that you distribute.

7. You may place library facilities that are a work based on the Library side-by-side in a single library together with other library facilities not covered by this License, and distribute such a combined library, provided that the separate distribution of the work based on the Library and of the other library facilities is otherwise permitted, and provided that you do these two things: a) Accompany the combined library with a copy of the same work based on the Library, uncombined with any other library facilities. This must be distributed under the terms of the Sections above. b) Give prominent notice with the combined library of the fact that part of it is a work based on the Library, and explaining where to find the accompanying uncombined form of the same work.

8. You may not copy, modify, sublicense, link with, or distribute the Library except as expressly provided under this License. Any attempt otherwise to copy, modify, sublicense, link with, or distribute the Library is void, and will automatically terminate your rights under this License. However, parties who have received copies, or rights, from you under this License will not have their licenses terminated so long as such parties remain in full compliance.

9. You are not required to accept this License, since you have not signed it. However, nothing else grants you permission to modify or distribute the Library or its derivative works. These actions are prohibited by law if you do not accept this License. Therefore, by modifying or distributing the Library (or any work based on the Library), you indicate your acceptance of this License to do so, and all its terms and conditions for copying, distributing or modifying the Library or works based on it.

10. Each time you redistribute the Library (or any work based on the Library), the recipient automatically receives a license from the original licensor to copy, distribute, link with or modify the Library subject to these terms and conditions. You may not impose any further restrictions on the recipients' exercise of the rights granted herein. You are not responsible for enforcing compliance by third parties with this License.

11. If, as a consequence of a court judgment or allegation of patent infringement or for any other reason (not limited to patent issues), conditions are imposed on you (whether by court order, agreement or otherwise) that contradict the conditions of this License, they do not excuse you from the conditions of this License. If you cannot distribute so as to satisfy simultaneously your obligations under this License and any other pertinent obligations, then as a consequence you may not distribute the Library at all. For example, if a patent

license would not permit royalty-free redistribution of the Library by all those who receive copies directly or indirectly through you, then the only way you could satisfy both it and this License would be to refrain entirely from distribution of the Library. If any portion of this section is held invalid or unenforceable under any particular circumstance, the balance of the section is intended to apply, and the section as a whole is intended to apply in other circumstances. It is not the purpose of this section to induce you to infringe any patents or other property right claims or to contest validity of any such claims; this section has the sole purpose of protecting the integrity of the free software distribution system which is implemented by public license practices. Many people have made generous contributions to the wide range of software distributed through that system in reliance on consistent application of that system; it is up to the author/donor to decide if he or she is willing to distribute software through any other system and a licensee cannot impose that choice. This section is intended to make thoroughly clear what is believed to be a consequence of the rest of this License.

12. If the distribution and/or use of the Library is restricted in certain countries either by patents or by copyrighted interfaces, the original copyright holder who places the Library under this License may add an explicit geographical distribution limitation excluding those countries, so that distribution is permitted only in or among countries not thus excluded. In such case, this License incorporates the limitation as if written in the body of this License.

13. The Free Software Foundation may publish revised and/or new versions of the Lesser General Public License from time to time. Such new versions will be similar in spirit to the present version, but may differ in detail to address new problems or concerns. Each version is given a distinguishing version number. If the Library specifies a version number of this License which applies to it and "any later version", you have the option of following the terms and conditions either of that version or of any later version published by the Free Software Foundation. If the Library does not specify a license version number, you may choose any version ever published by the Free Software Foundation.

14. If you wish to incorporate parts of the Library into other free programs whose distribution conditions are incompatible with these, write to the author to ask for permission. For software which is copyrighted by the Free Software Foundation, write to the Free Software Foundation; we sometimes make exceptions for this. Our decision will be guided by the two goals of preserving the free status of all derivatives of our free software and of promoting the sharing and reuse of software generally.

NO WARRANTY

15. BECAUSE THE LIBRARY IS LICENSED FREE OF CHARGE, THERE IS NO WARRANTY FOR THE LIBRARY, TO THE EXTENT PERMITTED BY APPLICABLE LAW. EXCEPT WHEN OTHERWISE STATED IN WRITING THE COPYRIGHT HOLDERS AND/OR OTHER PARTIES PROVIDE THE LIBRARY "AS IS" WITHOUT WARRANTY OF ANY KIND, EITHER EXPRESSED OR IMPLIED, INCLUDING, BUT NOT LIMITED TO, THE

IMPLIED WARRANTIES OF MERCHANTABILITY AND FITNESS FOR A PARTICULAR PURPOSE. THE ENTIRE RISK AS TO THE QUALITY AND PERFORMANCE OF THE LIBRARY IS WITH YOU. SHOULD THE LIBRARY PROVE DEFECTIVE, YOU ASSUME THE COST OF ALL NECESSARY SERVICING, REPAIR OR CORRECTION.

16. IN NO EVENT UNLESS REQUIRED BY APPLICABLE LAW OR AGREED TO IN WRITING WILL ANY COPYRIGHT HOLDER, OR ANY OTHER PARTY WHO MAY MODIFY AND/OR REDISTRIBUTE THE LIBRARY AS PERMITTED ABOVE, BE LIABLE TO YOU FOR DAMAGES, INCLUDING ANY GENERAL, SPECIAL, INCIDENTAL OR CONSEQUENTIAL DAMAGES ARISING OUT OF THE USE OR INABILITY TO USE THE LIBRARY (INCLUDING BUT NOT LIMITED TO LOSS OF DATA OR DATA BEING RENDERED INACCURATE OR LOSSES SUSTAINED BY YOU OR THIRD PARTIES OR A FAILURE OF THE LIBRARY TO OPERATE WITH ANY OTHER SOFTWARE), EVEN IF SUCH HOLDER OR OTHER PARTY HAS BEEN ADVISED OF THE POSSIBILITY OF SUCH DAMAGES.

END OF TERMS AND CONDITIONS

How to Apply These Terms to Your New Libraries

If you develop a new library, and you want it to be of the greatest possible use to the public, we recommend making it free software that everyone can redistribute and change. You can do so by permitting redistribution under these terms (or, alternatively, under the terms of the ordinary General Public License). To apply these terms, attach the following notices to the library. It is safest to attach them to the start of each source file to most effectively convey the exclusion of warranty; and each file should have at least the "copyright" line and a pointer to where the full notice is found. <one line to give the library's name and a brief idea of what it does.> Copyright © <year> <name of author>

This library is free software; you can redistribute it and/or modify it under the terms of the GNU Lesser General Public License as published by the Free Software Foundation; either version 2.1 of the License, or (at your option) any later version. This library is distributed in the hope that it will be useful, but WITHOUT ANY WARRANTY; without even the implied warranty of MERCHANTABILITY or FITNESS FOR A PARTICULAR PURPOSE. See the GNU Lesser General Public License for more details. You should have received a copy of the GNU

Lesser General Public License along with this library; if not, write to the Free Software Foundation, Inc., 51 Franklin St, Fifth Floor, Boston, MA 02110-1301 USA. Also add information on how to contact you by electronic and paper mail. You should also get your employer (if you work as a programmer) or your school, if any, to sign a "copyright disclaimer" for the library, if necessary. Here is a sample; alter the names:

Yoyodyne, Inc., hereby disclaims all copyright interest in the library `Frob' (a library for tweaking knobs) written by James Random Hacker.

<signature of Ty Coon>, 1 April 1990

Ty Coon, President of Vice

That's all there is to it!

GNU ABOUT THE OpenSSL TOOLKIT

This product includes software developed by the OpenSSL Project for use in the OpenSSL Toolkit (<http://www.openssl.org/>). Copyright© 1998-2008 The OpenSSL Project. All rights reserved.

THIS SOFTWARE IS PROVIDED BY THE OpenSSL PROJECT "AS IS" AND ANY EXPRESSED OR IMPLIED WARRANTIES, INCLUDING, BUT NOT LIMITED TO, THE IMPLIED WARRANTIES OF MERCHANTABILITY AND FITNESS FOR A PARTICULAR PURPOSE ARE DISCLAIMED. IN NO EVENT SHALL THE OpenSSL PROJECT OR ITS CONTRIBUTORS BE LIABLE FOR ANY DIRECT, INDIRECT, INCIDENTAL, SPECIAL, EXEMPLARY, OR CONSEQUENTIAL DAMAGES (INCLUDING, BUT NOT LIMITED TO, PROCUREMENT OF SUBSTITUTE GOODS OR SERVICES; LOSS OF USE, DATA, OR PROFITS; OR BUSINESS INTERRUPTION) HOWEVER CAUSED AND ON ANY THEORY OF LIABILITY, WHETHER IN CONTRACT, STRICT LIABILITY, OR TORT (INCLUDING NEGLIGENCE OR OTHERWISE) ARISING IN ANY WAY OUT OF THE USE OF THIS SOFTWARE, EVEN IF ADVISED OF THE POSSIBILITY OF SUCH DAMAGE.

This product includes cryptographic software written by Eric Young (ey@cryptsoft.com). Copyright (C) 1995-1998 Eric Young (ey@cryptsoft.com) All rights reserved.

THIS SOFTWARE IS PROVIDED BY ERIC YOUNG ``AS IS" AND ANY EXPRESS OR IMPLIED WARRANTIES, INCLUDING, BUT NOT LIMITED TO, THE IMPLIED WARRANTIES OF MERCHANTABILITY AND FITNESS FOR A PARTICULAR PURPOSE ARE DISCLAIMED. IN NO EVENT SHALL THE AUTHOR OR CONTRIBUTORS BE LIABLE FOR ANY DIRECT, INDIRECT, INCIDENTAL, SPECIAL, EXEMPLARY, OR CONSEQUENTIAL DAMAGES (INCLUDING, BUT NOT LIMITED TO, PROCUREMENT OF SUBSTITUTE GOODS OR SERVICES; LOSS OF USE, DATA, OR PROFITS; OR BUSINESS INTERRUPTION) HOWEVER CAUSED AND ON ANY THEORY OF LIABILITY, WHETHER IN CONTRACT, STRICT LIABILITY, OR TORT (INCLUDING NEGLIGENCE OR OTHERWISE) ARISING IN ANY WAY OUT OF THE USE OF THIS SOFTWARE, EVEN IF ADVISED OF THE POSSIBILITY OF SUCH DAMAGE.

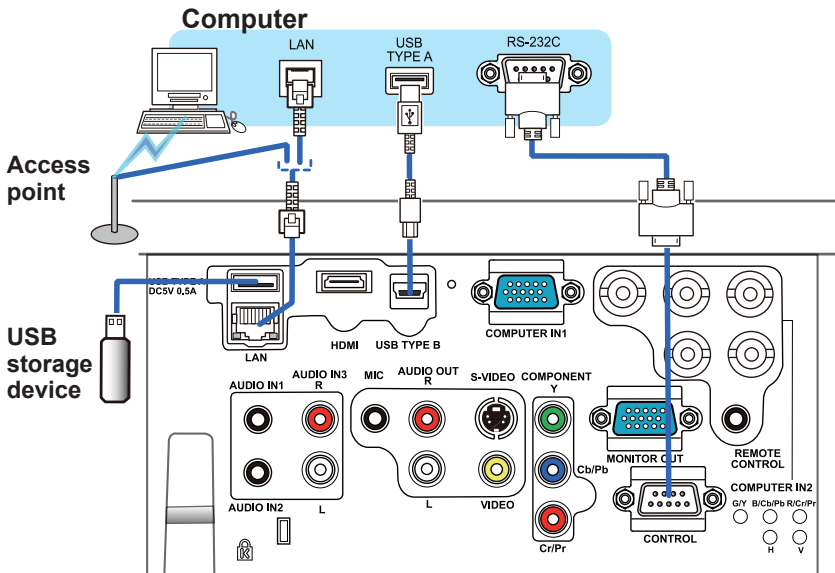
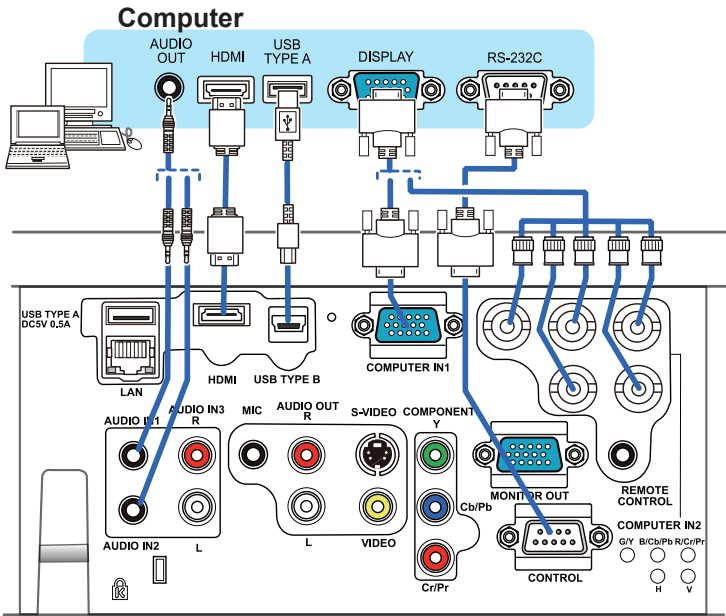
This product includes software written by Tim Hudson (tjh@cryptsoft.com).

T-1 IN5122/IN5122c (1024X768) (±10%)

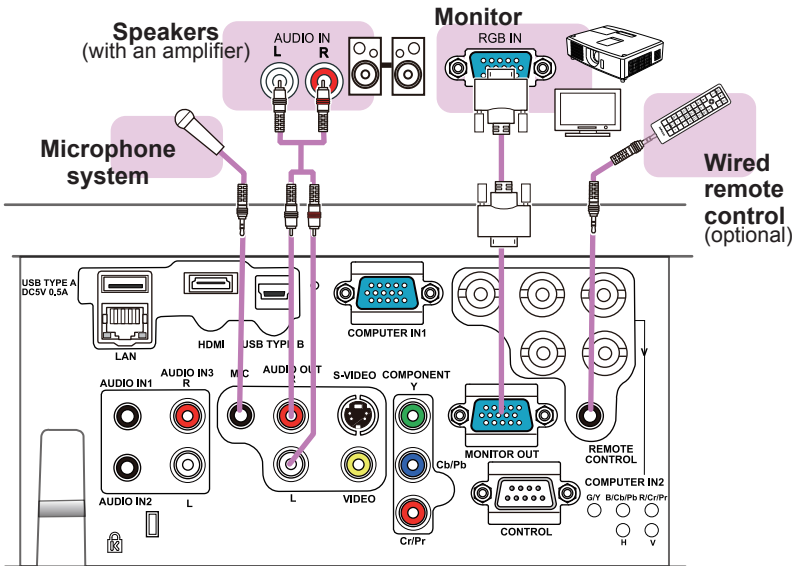
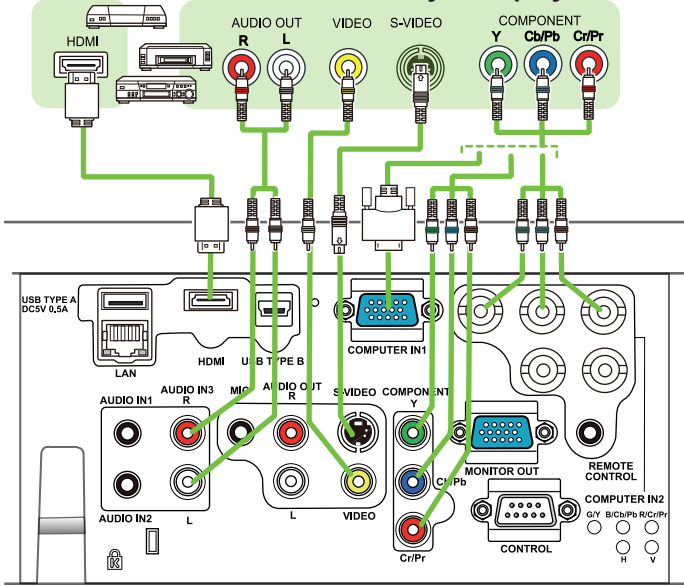
| Screen type | 4:3 | | | | | | | | | | 16:9 | | | | | | | | | |
|-------------|-------------|-----|---------------------|------|--------|------|---------------|------|----|------|-------------|-----|---------------------|------|--------|------|---------------|------|-----|------|
| | Screen size | | Projection distance | | | | Screen height | | | | Screen size | | Projection distance | | | | Screen height | | | |
| | Ⓜ | Ⓥ | ⓐ min. | | ⓐ max. | | ⓑ | | ⓒ | | Ⓜ | Ⓥ | ⓐ min. | | ⓐ max. | | ⓑ | | ⓒ | |
| (inch) | m | m | m | inch | m | inch | cm | inch | cm | inch | m | m | m | inch | m | inch | cm | inch | cm | inch |
| 30 | 0.6 | 0.5 | 0.9 | 34 | 1.5 | 57 | 46 | 18 | 0 | 0 | 0.7 | 0.4 | 0.9 | 37 | 1.6 | 63 | 44 | 17 | -6 | -2 |
| 40 | 0.8 | 0.6 | 1.2 | 46 | 2.0 | 77 | 61 | 24 | 0 | 0 | 0.9 | 0.5 | 1.3 | 50 | 2.1 | 84 | 58 | 23 | -8 | -3 |
| 50 | 1.0 | 0.8 | 1.5 | 58 | 2.5 | 97 | 76 | 30 | 0 | 0 | 1.1 | 0.6 | 1.6 | 63 | 2.7 | 106 | 73 | 29 | -10 | -4 |
| 60 | 1.2 | 0.9 | 1.8 | 70 | 3.0 | 117 | 91 | 36 | 0 | 0 | 1.3 | 0.7 | 1.9 | 76 | 3.2 | 128 | 87 | 34 | -12 | -5 |
| 70 | 1.4 | 1.1 | 2.1 | 82 | 3.5 | 137 | 107 | 42 | 0 | 0 | 1.5 | 0.9 | 2.3 | 90 | 3.8 | 150 | 102 | 40 | -15 | -6 |
| 80 | 1.6 | 1.2 | 2.4 | 94 | 4.0 | 157 | 122 | 48 | 0 | 0 | 1.8 | 1.0 | 2.6 | 103 | 4.3 | 171 | 116 | 46 | -17 | -7 |
| 90 | 1.8 | 1.4 | 2.7 | 106 | 4.5 | 177 | 137 | 54 | 0 | 0 | 2.0 | 1.1 | 2.9 | 116 | 4.9 | 193 | 131 | 51 | -19 | -7 |
| 100 | 2.0 | 1.5 | 3.0 | 118 | 5.0 | 197 | 152 | 60 | 0 | 0 | 2.2 | 1.2 | 3.3 | 129 | 5.5 | 215 | 145 | 57 | -21 | -8 |
| 120 | 2.4 | 1.8 | 3.6 | 142 | 6.0 | 237 | 183 | 72 | 0 | 0 | 2.7 | 1.5 | 3.9 | 155 | 6.6 | 258 | 174 | 69 | -25 | -10 |
| 150 | 3.0 | 2.3 | 4.5 | 179 | 7.5 | 297 | 229 | 90 | 0 | 0 | 3.3 | 1.9 | 5.0 | 195 | 8.2 | 323 | 218 | 86 | -31 | -12 |
| 200 | 4.1 | 3.0 | 6.1 | 239 | 10.1 | 396 | 305 | 120 | 0 | 0 | 4.4 | 2.5 | 6.6 | 261 | 11.0 | 432 | 291 | 114 | -42 | -16 |
| 250 | 5.1 | 3.8 | 7.6 | 300 | 12.6 | 496 | 381 | 150 | 0 | 0 | 5.5 | 3.1 | 8.3 | 327 | 13.7 | 541 | 363 | 143 | -52 | -20 |
| 300 | 6.1 | 4.6 | 9.1 | 360 | 15.1 | 596 | 457 | 180 | 0 | 0 | 6.6 | 3.7 | 10.0 | 393 | 16.5 | 650 | 436 | 172 | -62 | -25 |

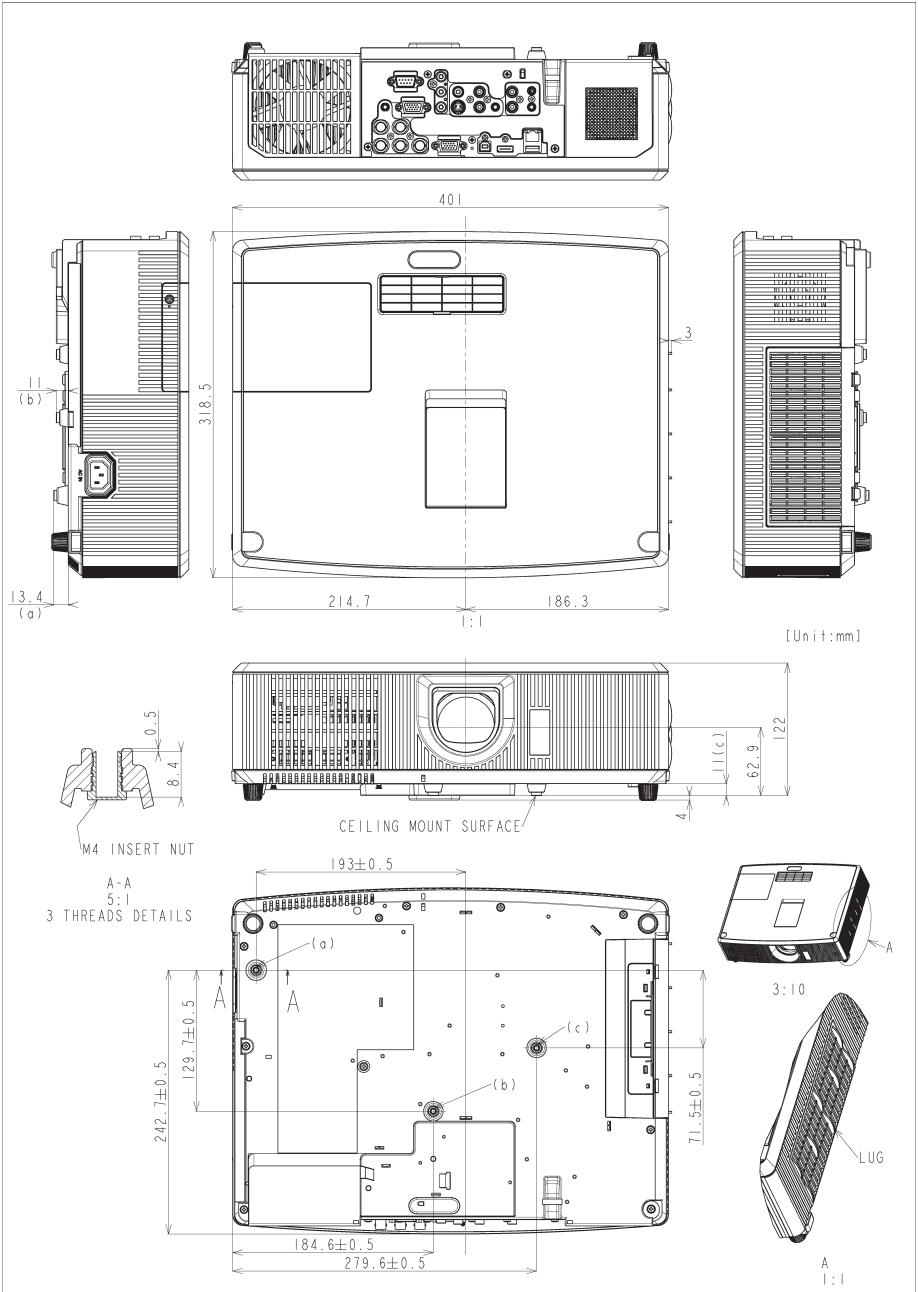
T-2 IN5124/IN5124c (1280X800) (±10%)

| Screen type | 16:10 | | | | | | | | | | 4:3 | | | | | | | | | |
|-------------|-------------|-----|---------------------|------|--------|------|---------------|------|-----|------|-------------|-----|---------------------|------|--------|------|---------------|------|-----|------|
| | Screen size | | Projection distance | | | | Screen height | | | | Screen size | | Projection distance | | | | Screen height | | | |
| | Ⓜ | Ⓥ | ⓐ min. | | ⓐ max. | | ⓑ | | ⓒ | | Ⓜ | Ⓥ | ⓐ min. | | ⓐ max. | | ⓑ | | ⓒ | |
| (inch) | m | m | m | inch | m | inch | cm | inch | cm | inch | m | m | m | inch | m | inch | cm | inch | cm | inch |
| 30 | 0.6 | 0.4 | 0.9 | 36 | 1.5 | 61 | 44 | 17 | -4 | -2 | 0.6 | 0.5 | 1.0 | 41 | 1.8 | 69 | 50 | 20 | -5 | -2 |
| 40 | 0.9 | 0.5 | 1.2 | 49 | 2.1 | 82 | 59 | 23 | -5 | -2 | 0.8 | 0.6 | 1.4 | 55 | 2.4 | 93 | 67 | 26 | -6 | -2 |
| 50 | 1.1 | 0.7 | 1.6 | 61 | 2.6 | 103 | 74 | 29 | -7 | -3 | 1.0 | 0.8 | 1.8 | 70 | 3.0 | 117 | 84 | 33 | -8 | -3 |
| 60 | 1.3 | 0.8 | 1.9 | 74 | 3.2 | 124 | 89 | 35 | -8 | -3 | 1.2 | 0.9 | 2.1 | 84 | 3.6 | 141 | 101 | 40 | -9 | -4 |
| 70 | 1.5 | 0.9 | 2.2 | 87 | 3.7 | 145 | 104 | 41 | -9 | -4 | 1.4 | 1.1 | 2.5 | 99 | 4.2 | 165 | 117 | 46 | -11 | -4 |
| 80 | 1.7 | 1.1 | 2.5 | 100 | 4.2 | 167 | 118 | 47 | -11 | -4 | 1.6 | 1.2 | 2.9 | 113 | 4.8 | 189 | 134 | 53 | -12 | -5 |
| 90 | 1.9 | 1.2 | 2.9 | 113 | 4.8 | 188 | 133 | 52 | -12 | -5 | 1.8 | 1.4 | 3.3 | 128 | 5.4 | 213 | 151 | 59 | -14 | -5 |
| 100 | 2.2 | 1.3 | 3.2 | 126 | 5.3 | 209 | 148 | 58 | -13 | -5 | 2.0 | 1.5 | 3.6 | 142 | 6.0 | 237 | 168 | 66 | -15 | -6 |
| 120 | 2.6 | 1.6 | 3.8 | 151 | 6.4 | 251 | 178 | 70 | -16 | -6 | 2.4 | 1.8 | 4.4 | 172 | 7.2 | 285 | 201 | 79 | -18 | -7 |
| 150 | 3.2 | 2.0 | 4.8 | 190 | 8.0 | 315 | 222 | 87 | -20 | -8 | 3.0 | 2.3 | 5.5 | 215 | 9.1 | 357 | 251 | 99 | -23 | -9 |
| 200 | 4.3 | 2.7 | 6.4 | 254 | 10.7 | 421 | 296 | 117 | -27 | -11 | 4.1 | 3.0 | 7.3 | 288 | 12.1 | 476 | 335 | 132 | -30 | -12 |
| 250 | 5.4 | 3.4 | 8.1 | 318 | 13.4 | 526 | 370 | 146 | -34 | -13 | 5.1 | 3.8 | 9.2 | 360 | 15.1 | 596 | 419 | 165 | -38 | -15 |
| 300 | 6.5 | 4.0 | 9.7 | 382 | 16.1 | 632 | 444 | 175 | -40 | -16 | 6.1 | 4.6 | 11.0 | 433 | 18.2 | 716 | 503 | 198 | -46 | -18 |



VCR/DVD/Blu-ray Disc player





[unit: mm]

(www.infocus.com/support)



QR80872

DISPERINDAG No. 0287/1.824.51/09.03

Download from Www.Somanuals.com. All Manuals Search And Download.

Free Manuals Download Website

<http://myh66.com>

<http://usermanuals.us>

<http://www.somanuals.com>

<http://www.4manuals.cc>

<http://www.manual-lib.com>

<http://www.404manual.com>

<http://www.luxmanual.com>

<http://aubethermostatmanual.com>

Golf course search by state

<http://golfingnear.com>

Email search by domain

<http://emailbydomain.com>

Auto manuals search

<http://auto.somanuals.com>

TV manuals search

<http://tv.somanuals.com>