
INTRODUCTION

The InFocus® LP™425z and LP435z lightweight multimedia projectors are specifically designed for the mobile presenter. They generate crisp, clear images using Digital Light Processing™ (DLP) technology. The projectors are easy to connect, easy to use, and easy to maintain. The soft carry case makes it easy to transport the 7.4 pound projectors. The 425z has SVGA 800x600 graphics, the 435z has XGA 1024x768 graphics. The user interfaces of the two products are identical; information in this User's Guide applies to both products.

Image Resolution

LP425z

The SVGA resolution of the 425z's projected image is 800x600. Screen resolutions between 800x600 and 1024x768 are compressed to 800x600. The 425z cannot compress screen resolutions above 1024x768. If your computer's screen resolution is higher than 1024x768, reset it to a lower resolution before you connect the projector.

LP435z

The XGA resolution of the 435z's projected image is 1024x768. The 435z cannot compress screen resolutions above 1024x768. If your computer's screen resolution is higher than 1024x768, reset it to a lower resolution before you connect the projector.



.....

NOTE: The 425z automatically expands 640x480 images to 800x600. You can display these images at 640x480 by turning off the Auto Resize feature. See "Auto Resize" on page 28.



.....

NOTE: The 435z automatically expands 640x480 and 800x600 images to 1024x768. You can display these images at their original resolutions by turning off the Auto Resize feature. See "Auto Resize" on page 28.

Compatibility

The projector is compatible with a wide variety of computers and video devices, including:

- IBM-compatible computers, including laptops, up to 1024x768 resolution at 75 Hz
- Apple Macintosh and PowerBook computers up to 1024x768 resolution at 75 Hz.
- Most standard VCRs, DVD players, camcorders and laser disc players.

Unpacking the Projector

The projector comes with the items shown in Figure 1. Check to make sure all are included. **Contact your InFocus dealer immediately if anything is missing.**

If you are experienced in setting up presentation systems, use the *Quick Start* card that was included in the shipping box. For complete details on connecting and operating the projector, refer to this User's Guide. User's Guides are also available for download from our website at www.infocus.com.



NOTE: *The contents of your shipping box may vary depending on the projector configuration you've ordered.*

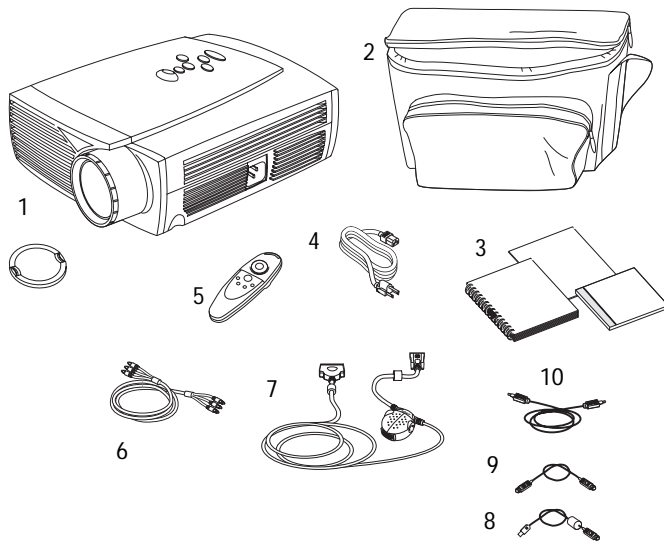


FIGURE 1

Shipping box contents

- | | |
|-------------------------------------------------------------------------|---------------------------------|
| 1. LP425z or 435z projector and lens cap | 6. RCA audio/video (A/V) cable |
| 2. Soft carry case | 7. CableWizard ³ |
| 3. LP425z/435z User's Guide, quick start card, and Online User Guide CD | 8. CableWizard USB mouse cable |
| 4. Power cord | 9. CableWizard PS/2 mouse cable |
| 5. Remote | 10. CableWizard audio cable |

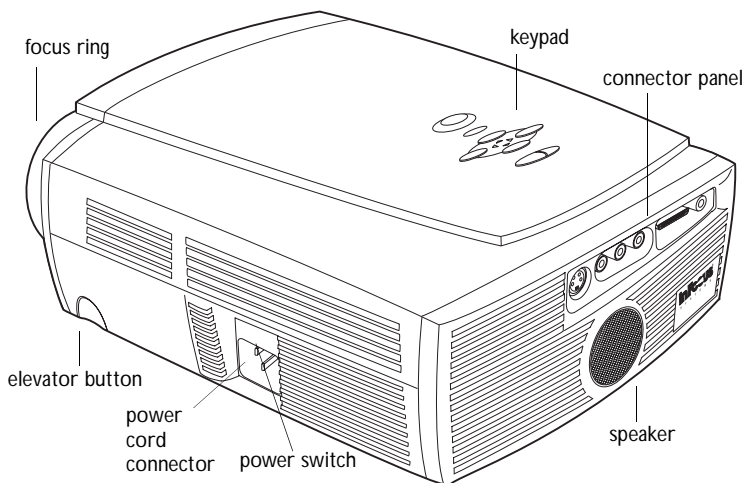


FIGURE 2

Side view of projector

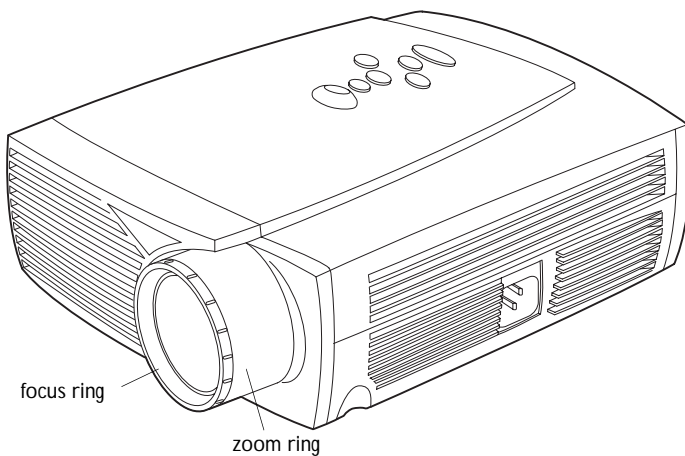


FIGURE 3

Front view of projector

Usage Guidelines

- Do not look directly into the projection lens when the projector is turned on. The bright light may harm your eyes.
- Do not block the grills on the projector. Restricting the air flow can cause it to overheat and turn off. If this happens, you must wait a minute before attempting to turn it back on.
- Handle the projector as you would any product with glass components. Be especially careful not to drop it.
- Avoid leaving the projector in direct sunlight or extreme cold for extended periods of time. If this happens, allow it to reach room temperature before use.
- This projector is not intended for use in mainframe computer rooms as defined in the Standard for the Protection of Electronic Computer/Data Processing Equipment, ANSI/NFPA 75.
- Transport the projector in a vendor-approved hard or soft case. Part numbers for these cases are listed on page 48.

If You Need Assistance

The first place to look for help is in this manual. Be sure to check the guidelines in “Troubleshooting” on page 40. Or, check the Service and Support section of our website at <http://www.infocus.com/service>.

If those sources don't answer your question, call your InFocus dealer. You can also call InFocus Customer Service directly at 1-800-799-9911. Call between 6 a.m. and 6 p.m. PST, Monday through Friday. Service is available in North America after hours and on weekends for a fee at 1-888-592-6800.

In Europe, call InFocus in The Netherlands at (31) 35-6474010 between 8 a.m. and 6 p.m. Central European Time.

In Asia, call (65) 332-0659 between 9:30 a.m. and 5:30 p.m.

Or, send us an e-mail at techsupport@infocus.com

Our World Wide Web address is <http://www.infocus.com>.

Warranty

This product is backed by a limited two-year warranty. The details of the warranty are printed at the back of this manual. A longer term warranty can be purchased from your InFocus dealer. Refer to page 48 for the part number.

Free Manuals Download Website

<http://myh66.com>

<http://usermanuals.us>

<http://www.somanuals.com>

<http://www.4manuals.cc>

<http://www.manual-lib.com>

<http://www.404manual.com>

<http://www.luxmanual.com>

<http://aubethermostatmanual.com>

Golf course search by state

<http://golfingnear.com>

Email search by domain

<http://emailbydomain.com>

Auto manuals search

<http://auto.somanuals.com>

TV manuals search

<http://tv.somanuals.com>