

# SP-CEIL-003

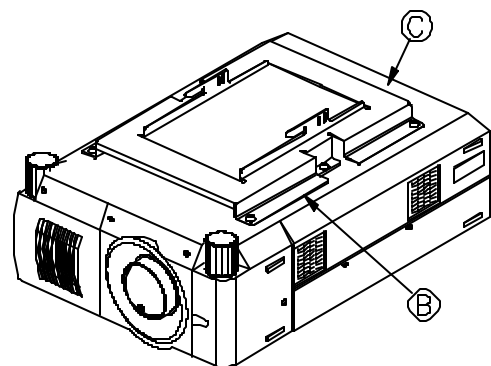
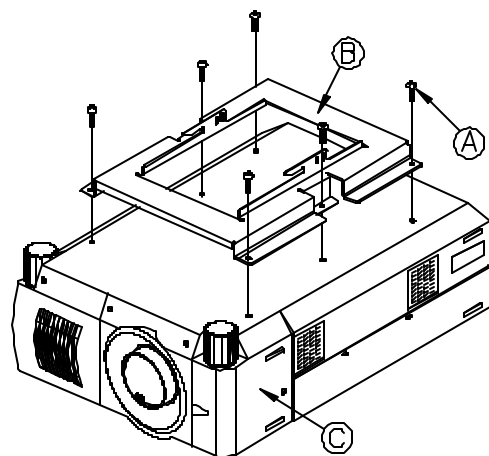
## Projector Mount

### INSTALLATION INSTRUCTIONS

#### □ Step 1

Invert the projector and place it on a soft and flat surface. Locate the four (4) 6 (mm) mounting points found on the bottom of the projector (C). Align and secure the mounting bracket (B) using the six (6) 8 (mm) x 10 (mm) Phillip screws (A) (supplied). **Do not over tighten!**

See Figure 1



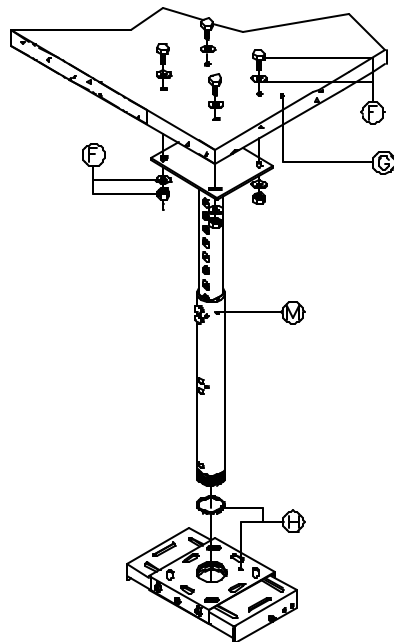
**F1**

#### □ Step 2

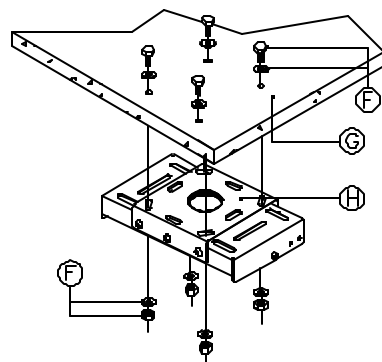
Install the base box securely to the ceiling structure in accordance with proper commercial standards. Use (commercially available) suitable hardware depending on the installation requirements.

**NOTE:** If the (Optional) **SP-LTMT-EXT** Adjustable height suspension adapter is a part of the installation, securely install the ceiling adapter to the ceiling at this time.

#### (Refer to its Installation Instructions)



**-SP-LTMT-EXT-**

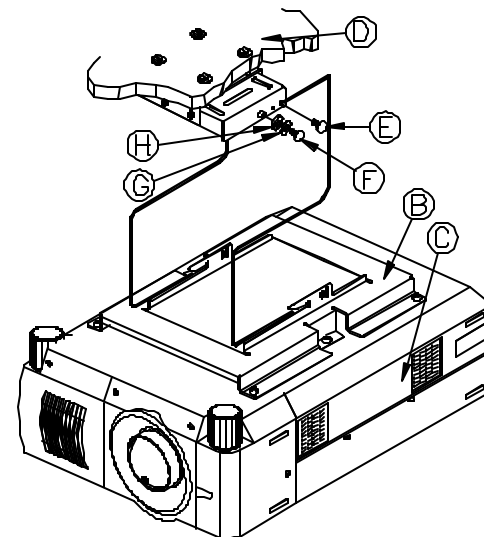


**-FIXED CEILING MOUNT-**

#### □ Step 3

Install the two (2) conical spacers (J) and two (2) flat washers (K) two (2) hinge pin screws (L) loosely on both sides of the base box (H). Raise the projector with the mounting bracket attached and slip through the hinge pin slots openings on the bracket into the base box. Install the two (2) angle locking screws (I) adjust the angle, lock it, and then tighten the hinge pin screws (L).

See Figure 2



**F2**

#### □ Step 4

Check all the hardware for proper tightness and security. Do not over tighten hardware.

**Continue** →

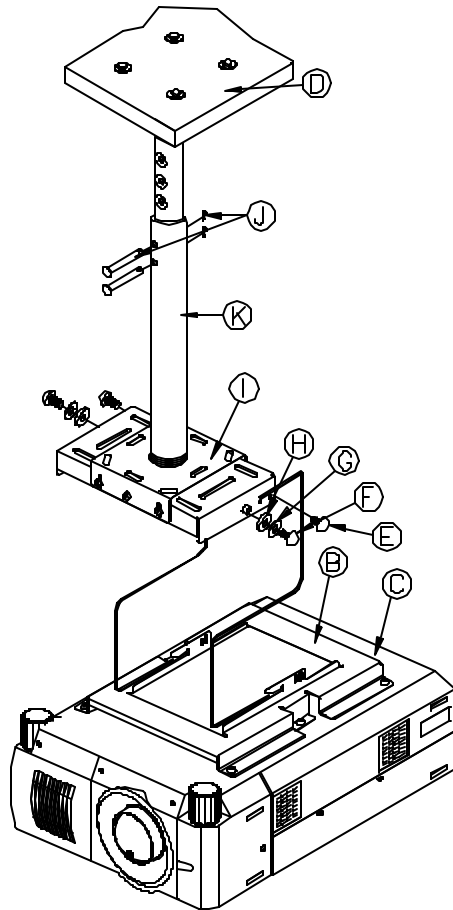
# INSTALLATION INSTRUCTIONS

## SP-CEIL-003 PROJECTOR MOUNT

### □ Step 5

Install the two (2) conical spacers (J) and two (2) flat washers (K) two (2) hinge pin screws (L) loosely on both sides of the base box (H). Raise the projector with the mounting bracket attached and slip through the hinge pin slots openings on the bracket into the base box. Install the two (2) angle locking screws (I) adjust the angle, lock it, and then tighten the hinge pin screws (L).

See Figure 3



**F3**

Check all hardware for proper tighten and security.

## WARNING!

The ceiling should be capable of supporting a weight of at least five (5) times the weight of 45 Lbs. If it cannot, the ceiling must be reinforced. Proper installation procedure by qualified personnel as outlined in the installation instructions must be adhered to. Failure to do so could result in serious personal injury.

### DESCRIPTION/HARDWARE

- A. 8 (mm) x 10 (mm) Phillip Screws (6ea)
- B. SP-CEIL-003 Mounting Bracket (1ea)
- C. Projector (Not Supplied)
- D. Projector's Feet
- E. Projector Lens
- F. Suitable Hardware (Commercially Available)
- G. Ceiling Structure (See Warning Label)
- H. Base Box/Jam Nut (1ea)
- I. 6 (mm) x 12 (mm) Angle Locking Screws (2ea)
- J. Conical Spacers (2ea)
- K. Flat Washers (2ea)
- L. 6 (mm) x 12 (mm) Hinge Pin Screws (2ea)
- M. SP-LTMT-EXT Adjustable Suspension Adapter
- N. Suspension Adapter Adjustable Pins (2ea)

For further information or ordering assistance contact us at the phone/address number shown on the front of this page.



27700B S.W. Parkway Ave.  
Wilsonville, Oregon 97070-9215  
Phone 1-800-294-6400 Fax  
[www.infocus.com](http://www.infocus.com)

## Free Manuals Download Website

<http://myh66.com>

<http://usermanuals.us>

<http://www.somanuals.com>

<http://www.4manuals.cc>

<http://www.manual-lib.com>

<http://www.404manual.com>

<http://www.luxmanual.com>

<http://aubethermostatmanual.com>

Golf course search by state

<http://golfingnear.com>

Email search by domain

<http://emailbydomain.com>

Auto manuals search

<http://auto.somanuals.com>

TV manuals search

<http://tv.somanuals.com>