

Cooker
Installation and use

Кухонная плита
Установка и пользование

Aragaz
Instalare și utilizare

K1G21/R
K1G21S/R

 **INDESIT**



GB	Cooker with gas oven and gas grill	
	Instructions for installation and use	3
CS	Плита с газовой духовкой и газовым грилем	
	Инструкции по установке и эксплуатации	14
RO	Aragaz cu cuptor pe gaz și grill pe gaz	
	Instrucțiuni pentru instalare și utilizare	24

Important safety warnings

To maintain the **EFFICIENCY** and **SAFETY** of this appliance, we recommend:

- call only the Service Centers authorized by the manufacturer
- always use original Spare Parts

- 1 This appliance is intended for nonprofessional use within the home.
- 2 These instructions are only for those countries whose symbols appear in the booklet and on the serial no. plate of the appliance.
- 3 **This owner's manual is for a class 1 appliance (insulated) or class 2, subclass 1 appliances (installed between two cabinets.**
- 4 Before using your appliance, read the instructions in this owner's manual carefully since it provides all the information you need to ensure safe installation, use and maintenance. Always keep this owner's manual close to hand since you may need to refer to it in the future.
- 5 When you have removed the packing, check that the appliance is not damaged. If you have any doubts, do not use the appliance and contact your nearest Ariston Service Centre. Never leave the packing components (plastic bags, polystyrene foam, nails, etc.) within the reach of children since they are a source of potential danger.
- 6 The appliance must be installed only by a qualified technician in compliance with the instructions provided. The manufacturer declines all liability for improper installation, which may result in personal injury and damage to property.
- 7 The electrical safety of this appliance can only be guaranteed if it is correctly and efficiently earthed, in compliance with regulations on electrical safety. Always ensure that the earthing is efficient. If you have any doubts, contact a qualified technician to check the system. The manufacturer declines all liability for damage resulting from a system which has not been earthed.
- 8 Before plugging the appliance into the mains, check that the specifications indicated on the data plate (on the appliance and/or packaging) correspond with those of the electrical and gas systems in your home.
- 9 Check that the electrical capacity of the system and sockets will support the maximum power of the appliance, as indicated on the data plate. If you have any doubts, contact a qualified technician.
- 10 An omnipolar switch with a contact opening of at least 3 mm or more is required for installation.
- 11 If the socket and appliance plug are not compatible, have the socket replaced with a suitable model by a qualified technician, who should also check that the cross-section of the socket cable is sufficient for the power absorbed by the appliance. The use of adaptors, multiple sockets and/or extensions, is not recommended. If their use cannot be avoided, remember to use only single or multiple adapters and extensions which comply with current safety regulations. In these cases, never exceed the maximum current capacity indicated on the individual adaptor or extension and the maximum power indicated on the multiple adapter.
- 12 Do not leave the appliance plugged in if it is not in use. Switch off the main switch and gas supply when you are not using the appliance.
- 13 The openings and slots used for ventilation and heat dispersion must never be covered.
- 14 The user must not replace the supply cable of this appliance. Always contact an after-sales service centre which has been authorised by the manufacturer if the cable has been damaged or needs replacement.
- 15 This appliance must be used for the purpose for which it was expressly designed. Any other use (e.g. heating rooms) is considered to be improper and consequently dangerous. The manufacturer declines all liability for damage resulting from improper and irresponsible use.
- 16 A number of fundamental rules must be followed when using electrical appliances. The following are of particular importance:
 - Do not touch the appliance when your hands or feet are wet.
 - Do not use the appliance barefooted.
 - Do not use extensions, but if they are necessary, caution must be exercised.
 - Never pull the power supply cable or the appliance to unplug the appliance plug from the mains.
 - Never leave the appliance exposed to atmospheric agents (rain, sun etc.)
 - Do not allow children or persons who are not familiar with the appliance to use it, without supervision.
- 17 Always unplug the appliance from the mains or switch off the main switch before cleaning or carrying out maintenance.
- 18 If you are no longer using an appliance of this type, remember to make it unserviceable by unplugging the appliance from the mains and cutting the supply cable. Also make all potentially dangerous parts of the appliance safe, above all for children who could play with the appliance.
- 19 To avoid accidental spillage do not use cookware with uneven or deformed bottoms on the burners. Turn the handles of pots and pans inwards to avoid knocking them over accidentally.
- 20 Never use flammable liquids such as alcohol or gasoline, etc. near the appliance when it is in use.
- 21 When using small electric appliances near the hob, keep the supply cord away from the hot parts.
- 22 Make sure the knobs are in the "●"/"○" position when the appliance is not in use.
- 23 When the appliance is in use, the heating elements and some parts of the oven door become extremely hot. Make sure you don't touch them and keep children well away.
- 24 **Gas appliances require regular air exchange to ensure trouble-free performance. When installing the cooker, follow the instructions provided in the paragraph on "Positioning" the appliance.**
- 25 The glass top (only on certain models) can shatter if it is overheated. Therefore, all of the burners or hot plates must be turned off before the top is closed.
- 26 If the cooker is placed on a pedestal, take the necessary precautions to prevent the same from sliding off the pedestal itself.
- 27 **Warning:** never place hot containers or items and flammable materials inside the dishwarmer drawer.

Installation

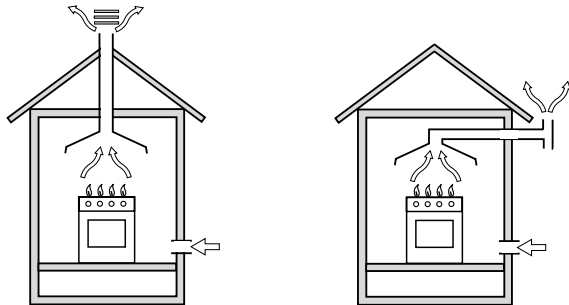
All instruction on the following pages must be carried out by a competent person (corgi registered) in compliance with gas safety (installation and use) regulation 1984.

Important: disconnect the cooker from the electricity and gas supply when any adjustment, etc.

Positioning your appliance

Important: this appliance may be installed and used only in permanently ventilated rooms in compliance with current directives. The following precautions should be taken:

- a) The room must be provided with an external exhaust system obtained with a hood or with an electric ventilator that goes on automatically each time the unit is switched on.



In the case of chimneys or flues with branches (for cookers)

Directly to the exterior

- b) The room must be provided with a system for air inflow which is necessary for a regular combustion. The air flow necessary for the combustion should be at least 2 m³/h for kW of installed power. The system may be realized by drawing the air directly from outside the building through a pipe that has at least a 100 cm² useable section and which must not be accidentally obstructed (Fig. A). And further it may be realized indirectly from other adjacent rooms which are provided with a ventilation pipe for the expulsion of the fumes to the outside of the building as foresaid, and which must not be part of the building in common use or rooms with risk of fire, or bedrooms (Fig. B).

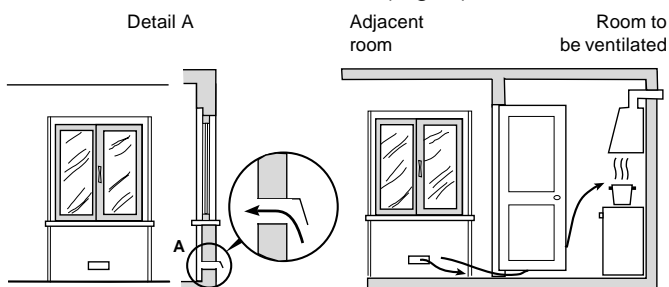


Fig. A

Examples of ventilation openings for the comburent air

Fig. B

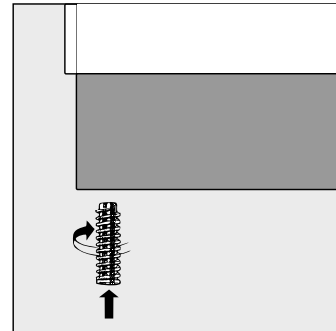
Increased opening between the door and and floor

- c) During prolonged use of the appliance you may consider it necessary to open a window to the outside to improve ventilation.
- d) The liquefied petroleum gases, which are heavier than air, stagnate towards the ground. Therefore, the rooms containing LPG cans must have openings towards the outside in order to allow the venting from the ground of eventual gas leak. Thus, the LPG cans must not be installed or settled in rooms that are below the ground level, (cellar, etc.) whether the cans are empty or

partially full. It is advisable to keep in the room only the can which is being used, and it must be placed away from direct heat sources (ovens, fireplaces, stoves, etc.) that could make the can reach temperatures higher than 50°C.

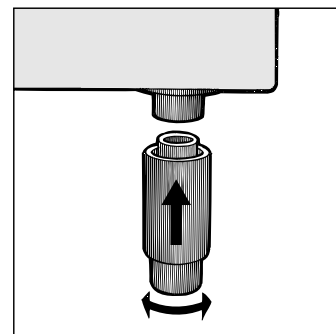
Levelling your appliance (only on a few models)

Your cooker is supplied with feet for levelling the appliance. If necessary, these feet can be screwed into the housings in the corners of the cooker base.



Mounting the legs (only on a few models)

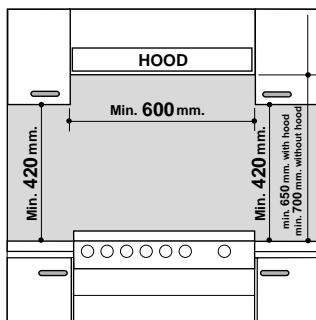
Press-fit legs are supplied which fit under the base of your cooker.



Installation of the cooker

The appliance can be installed next to furniture units which are no taller than the top of the cooker hob. The wall in direct contact with the back panel of the cooker must be made of non-flammable material. During operation the back panel of the cooker could reach a temperature of 50°C above room temperature. For proper installation of the cooker, the following precautions must be taken:

- a) The appliance can be placed in a kitchen, dining room or bedsit, but not in a bathroom.
- b) All furniture around the appliance must be placed at least 200 mm from the top of the cooker, should the surface of the appliance be higher than the worktop of this furniture. Curtains should not be placed behind the cooker or less than 200 mm away from the sides of the appliance.
- c) Any hoods must be installed according to the requirements in the installation manual for the hoods themselves.
- d) If the cooker is installed beneath a wall cabinet, the latter must be situated at a minimum of 420 mm above the hob. The minimum distance between the worktop and kitchen units made of combustible material is 700 mm.
- e) The wall in direct contact with the back panel of the cooker must be made of non-flammable materials.



Connecting the gas

The appliance should be connected to the mains or to a gas cylinder in compliance with current directives. Before making the connection, check that the cooker is regulated for the gas supply you are using. If not, follow the instructions indicated in the paragraph "Adapting to different types of gas". On some models the gas supply can be connected on the left or on the right, as necessary; to change the connection, reverse the position of the hose holder with that of the cap and replace the gasket (supplied with the appliance). When using liquid gas from a cylinder, install a pressure regulator which complies with current directive.

Important: check that the supply pressure complies with the values indicated in table 1 "Characteristics of the burners and nozzles" since this will ensure safe operation, correct consumption and ensure a longer life to your appliance.

Connection with hose

Make the connection using a gas hose complying with the characteristics provided in current directive. The internal diameter of the pipe used is as follows:

- 8mm for liquid gas;
- 13mm for methane gas.

When installing the hose, remember to take the following precautions:

- No part of the hose should touch parts whose temperature exceeds 50°C;
- The length of the hose should be less than 1500 mm;
- The hose should not be subject to twisting or pulling, and should not have bends or kinks.
- The hose should not touch objects with sharp edges, any moving parts, and it should not be crushed;
- The full length of the hose should be easy to inspect in order to check its condition;

Check that the hose fits firmly into place at the two ends and fix it with clamps complying to current directive. If any of the above recommendations can not be adopted, flexible metal pipes should be used.

Should the cooker be installed according to the conditions of Class 2, subdivision 1, only a flexible metal pipe which is in compliance with current safety standards should be used to make the connection to the gas mains.

Connecting a flexible jointless stainless steel pipe to a threaded attachment

Remove the hose holder fitted on the appliance. The gas supply pipe fitting is a threaded 1/2 gas cylindrical male attachment. Only pipes and gaskets complying with current directives. The full length of the pipe must not exceed 2000 mm.

Tight control

Important: when installation has been completed, check the pipe fitting for leaks with a soapy solution. Never use a flame. Once the connection has been made, ensure that the flexible metal tube does not touch any moving parts and is not crushed.

Connecting the supply cable to the mains

Install a normalised plug corresponding to the load indicated on the data plate. When connecting the cable directly to the mains, install an omnipolar circuit-breaker with a minimum contact opening of 3 mm between the appliance and the mains. The omnipolar circuit breaker should be sized according to the load and should comply with current regulations (the earth wire should not be interrupted by the circuit breaker).

The supply cable should be positioned so that it does not reach a temperature of more than 50°C with respect to the room temperature, along its length. Before making the connection, check that:

- the limiter valve and the home system can support the appliance load (see data plate);
- the mains is properly earthed in compliance with current directives and regulations;
- there is easy access to the socket and omnipolar circuit breaker, once the hob has been installed.

N.B: never use reducers, adaptors or shunts since they can cause heating or burning.

Adapting the cooker to different types of gas

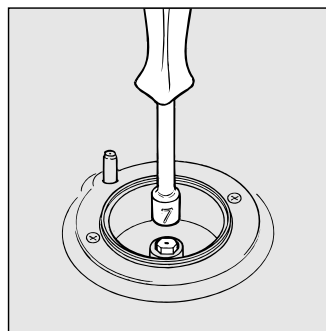
In order to adapt the cooker to a different type of gas with respect to the gas for which it was produced (indicated on the label attached to the lid), follow these steps:

a) replace the hose holder mounted on the appliance with that supplied in the bag of "cooker accessories".

Important: the hose holder for liquid gas is marked 8, the hose holder for methane gas is marked 13. Always fit the sealing gasket.

b) Replacing the burner nozzles on the hob:

- remove the grids and slide the burners from their housings;
- unscrew the nozzles using a 7 mm socket spanner, and replace them with nozzles for the new type of gas (see table 1 "Burner and nozzle characteristics").
- replace all the components by repeating the steps in reverse order.



- c) Minimum regulation of the hob burners:
- turn the tap to minimum;
 - remove the knob and adjust the regulation screw, which is positioned in or next to the tap pin, until the flame is small but steady.
- N.B.:** in the case of liquid gas, the regulation screw must be screwed in to the bottom.
- check that the flame does not turn off when you turn the tap quickly from high to low.
- d) Regulating the primary air of the burners:
The primary air of the burners requires no regulation.

Adapting the gas oven to different types of gas

- a) Replacing the oven burner nozzle:
- remove the warming drawer;
 - remove the sliding protection "A" (see Fig.C);
 - remove the screw and then the oven burner "V"(see Fig. D). Remove the oven door to facilitate this operation.
 - unscrew the oven burner nozzle using the special socket spanner for the nozzles (see Fig. E), or better still a 7 mm socket spanner, and replace it with a nozzle suited to the new type of gas (see table 1).

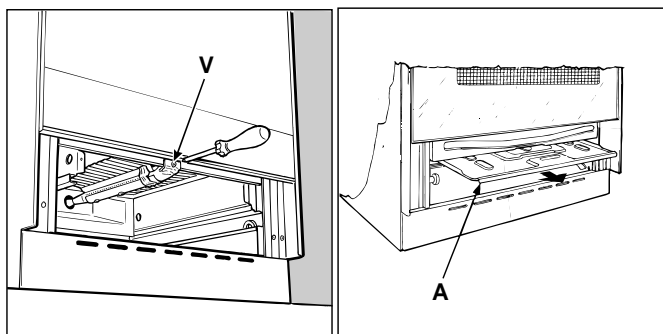


Fig. C

Fig. D

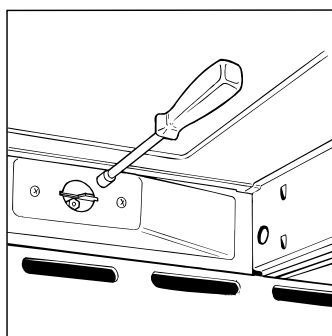
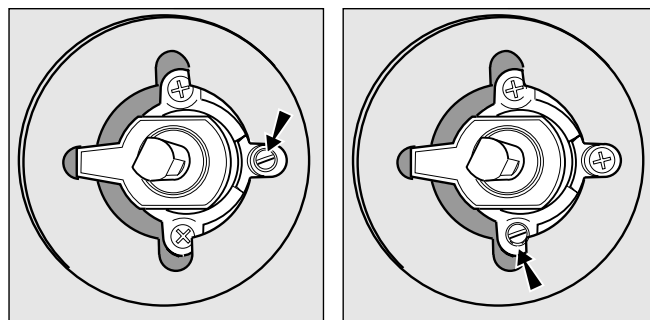


Fig.E

- b) Minimum regulation of the gas oven burner with thermostat (see fig.):
- light the burner as described in the paragraph "the oven knob" of the instruction booklet.
 - turn the knob to **Max** for about 10 minutes and then turn the knob to the **Min** setting;
 - remove the knob;
 - regulate the screw positioned outside the thermostat pin until the flame is small but steady.
- N.B.:** in the case of liquid gas, the regulation screw must be screwed in to the bottom.



Adapting the gas grill to different types of gas

- Replacing the nozzle of the grill burner:
- remove the screw and then slide out the grill burner "V" (see Fig. F);
 - unscrew the grill burner nozzle using the special socket spanner for the nozzles (see Fig. G) or better still a 7 mm socket spanner; replace the nozzle with a nozzle for the new type of gas (see table 1).

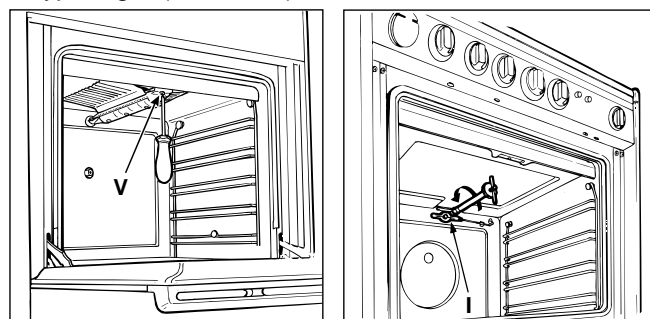


Fig. F

Fig. G

Pay particular attention to the plug wires and thermocouple tubes.

Important

On completion of the operation, replace the old rating sticker with one indicating the new type of gas used. This sticker is available from our Service Centres.

Note

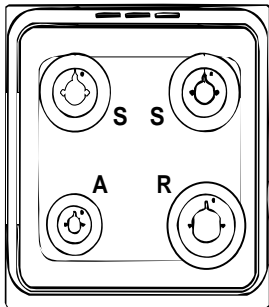
Should the pressure of the gas used be different (or vary) from the recommended pressure, it is necessary to fit a suitable pressure regulator onto the inlet pipe in compliance with current National Regulations relative to "regulators for channelled gas".

Burner and nozzle characteristics

Table 1

Burner	Diameter (mm)	Thermal Power kW (p.c.s.*)		Liquid Gas				Natural Gas			
		Nominal	Reduced	By-Pass 1/100 (mm)	Nozzle 1/100 (mm)	Flow* g/h		Nozzle 1/100 (mm)	Flow* l/h	Nozzle 1/100 (mm)	Flow* l/h
						***	**				
Fast (Large)(R)	100	3.00	0.7	41	87	218	214	128	286	143	286
Semi Fast (Medium)(S)	75	1.90	0.4	30	70	138	136	104	181	118	181
Auxiliary (Small)(A)	51	1.00	0.4	30	52	73	71	76	95	80	95
Oven	-	3.10	1.0	46	85	225	221	132	295	148	288
Grill	-	2.50	-	-	80	182	179	122	238	139	227
Supply Pressures	Nominal (mbar) Minimum (mbar) Maximum (mbar)					28-30 20 35	37 25 45	20 17 25	13 6,5 18		

- * At 15°C and 1013 mbar- dry gas
- ** Propane P.C.S. = 50,37 MJ/Kg
- *** Butane P.C.S. = 49,47 MJ/Kg
- Natural P.C.S. = 37,78 MJ/m³



K1G21/R
K1G21S/R

Technical Specifications

Inner dimensions of the oven:

Width: 39 cm
Depth: 38 cm
Height: 34 cm

Inner Volume of the Oven:

50 lt

Inner Dimensions of the FoodWarmer:

Width: 42 cm
Depth: 44 cm
Height: 17 cm

Voltage and Frequency of Power Supply:

see data plate

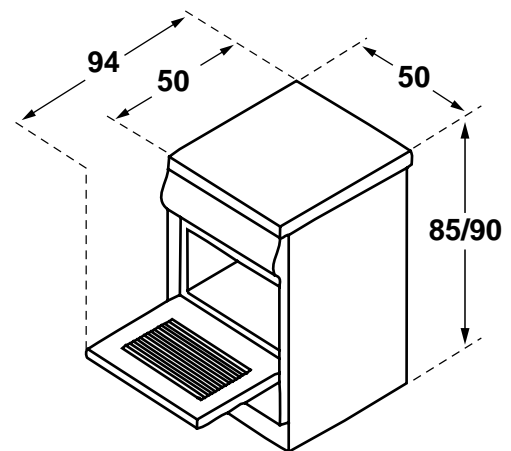
Burners:

adaptable for use with all the types of gas indicated on the data plate situated inside the flap or, once the dishwarmer drawer has been opened, on the inside wall of the left-hand side panel.



This appliance conforms with the following European Economic Community directives:

- 73/23/EEC of 19/02/73 (Low Voltage) and subsequent modifications;
- 89/336/EEC of 03/05/89 (Electromagnetic Compatibility) and subsequent modifications;
- 90/396/EEC of 29/06/90 (Gas) and subsequent modifications;
- 93/68/EEC of 22/07/93 and subsequent modifications.

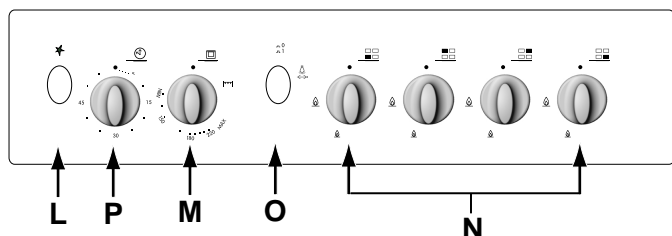
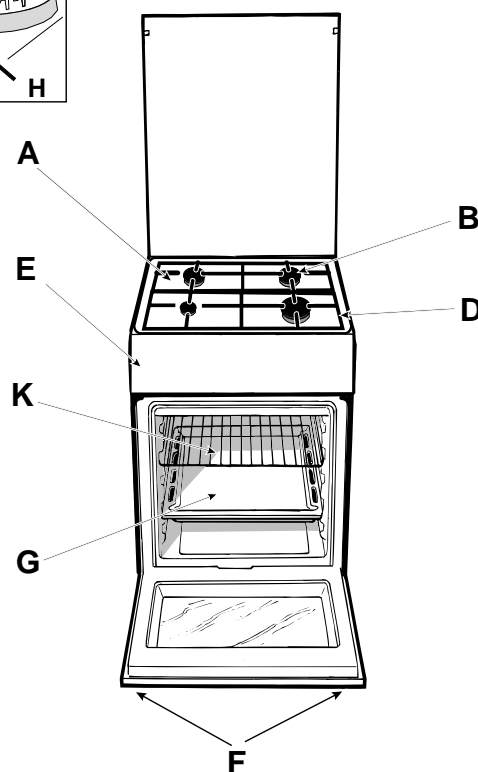
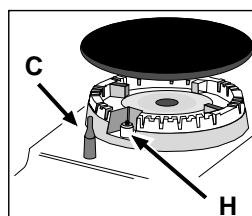


Disposal of old electrical appliances

The European Directive 2002/96/EC on Waste Electrical and Electronic Equipment (WEEE), requires that old household electrical appliances must not be disposed of in the normal unsorted municipal waste stream. Old appliances must be collected separately in order to optimise the recovery and recycling of the materials they contain and reduce the impact on human health and the environment. The crossed out "wheeled bin" symbol on the product reminds you of your obligation, that when you dispose of the appliance it must be separately collected. Consumers should contact their local authority or retailer for information concerning the correct disposal of their old appliance.

The cooker with gas oven and gas grill

- A. Tray for Catching Overflows
- B. Gas Burner
- C. Flame Failure Device for Cooktop Burners (only a few models)
- D. Top Grate
- E. Control Panel
- F. Adjustable Feet or Legs
- G. Dripping Pan or Baking Sheet
- H. Electronic Lighting Device (only a few models)
- K. Oven Rack
- L. Electronic Lighting for Hob Burners (only a few models)
- M. Oven and Grill Control Knob
- N. Control Knobs for Gas Burners on Hob
- O. Button for Oven and Rotisserie Light (only a few models)
- P. Timer Knob (only a few models)



The different functions and uses of the oven

The various functions included in the cooker are selected by operating the control devices located on the cooker control panel.

Control Knobs for the Gas Burners on the Hob (N)

The position of the gas burner controlled by each one of the knobs is shown by a symbol of a solid ring: ●. To light one of the burners, hold a lighted match or lighter near the burner. Press down and turn the corresponding knob in the counter-clockwise direction to the **maximum** 🔥 setting. Each burner can be operated at its maximum, minimum or intermediate power. Shown on the knob are the different symbols for off ● (the knob is on this setting when the symbol lines up with the reference mark on the control panel), for **maximum** 🔥 and **minimum** 🔥.

To obtain these settings, turn the knob counter-clockwise with respect to the off position. To turn off the burner, turn the knob clockwise until it stops (corresponding again with the ● symbol).

Electronic Ignition for the Gas Hob

Some of the models are provided with instant electronic lighting of the hob gas burners; these models are identified by the presence of a lighting device (see detail H). This device operates when a slight pressure is applied to the "L" button marked with ★ symbol. To light a specific burner just press the button labelled "L" while pushing the corresponding knob all the way in

and turning it counter-clockwise until it lights. **For immediate lighting, first press the button and then turn the knob.**

Some models are equipped with an ignitor (H) is present, but not the "L" button (the ★ symbol is located near each knob). To light a burner, simply press the corresponding knob all the way in and then turn it anti-clockwise to the "High" 🔥 setting, keeping it pressed in until the burner lights.

Important: Should the burner flames accidentally go out, turn off the control knob and wait at least 1 minute before trying to relight.

Models with Hob Gas Burner Safety Devices to Prevent Leaks (only on certain models)

These models can be identified by the presence of the device itself (see detail C).

Important: Since the hob burners are equipped with a safety device, you must hold the control knob in for about 6 seconds after the burner has been lighted to allow the gas to pass until the safety thermocouple has heated.

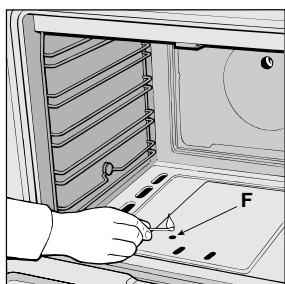
Notice: The first time you use your appliance, we recommend that you set the thermostat to the highest setting and leave the oven on for about half an hour with nothing in it, with the oven door shut. Then, open the oven door and let the room air. The odour that is often detected during this initial use is due to the evaporation of substances used to protect the oven during storage and until it is installed.

Attention: Only use the bottom shelf of the oven when using the rotisserie to cook (where present). For all other types of cooking, never use the bottom shelf and never place anything on the bottom of the oven when it is in operation because this could damage the enamel. Always place your cookware (dishes, aluminium foil, etc. etc.) on the grate provided with the appliance inserted especially along the oven guides.

Oven and Grill Control Knob (M)

This knob allows you to select the various features of the oven and to set the most appropriate cooking temperature from among those indicated on the knob itself (between **Min** and **Max**).

To light the oven burner, hold a lighted match or lighter near the "F" hole and, at the same time, press down and turn the oven knob counter-clockwise to the **Max** setting.



Since the cooker is equipped with a safety device which makes it necessary to keep the knob pressed in for about 6 seconds after the burner has been lighted to allow the gas to pass through freely.

The cooking temperature is selected by matching the desired temperature with the reference mark on the panel; the complete range of temperatures is shown below.

The temperature setting is then automatically reached and kept constant by the thermostat (which is controlled by the knob).

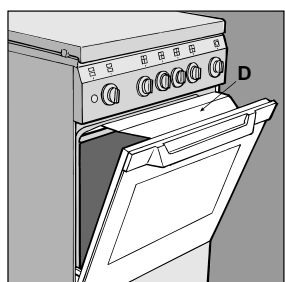
Min	•	150	•	180	•	220	Max
-----	---	-----	---	-----	---	-----	-----

To use the grill, turn the knob clockwise till to setting |▽▽▽|, after holding a lighted match or a lighter close to the grill burner.


In the grill burner equipped with a safety device, the knob must be held pressed in for about 6 seconds in order to activate the flame failure device. In this way the infrared ray comes on for browning the food or cooking roast, chops, sausages, roast-beef, etc.; for grill cooking, place a drip-pan under the grill to catch the grease.

Important Notice: In the event the flame for the oven accidentally goes out, turn the control knob for the burner to the off position and do not relight the burner for at least one minute.

Important: when using the grill, the oven door must be left partly open by positioning the deflector "D" between door and panel to prevent the cooker knobs from overheating.



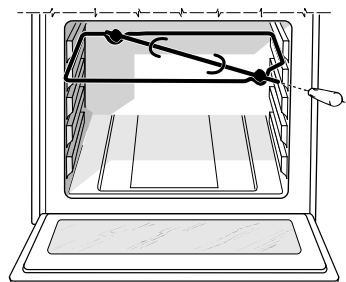
Oven Light Button (O)

This button is marked by the  symbol and switches on the light inside the oven so that you can monitor the cooking process without opening the door.



The rotisserie (only a few models)

To operate the rotisserie, proceed as follows:

- place the dripping-pan on the 1st rack;
- insert the special rotisserie support on the 4th rack and position the spit by inserting it through the special hole into the rotisserie at the back of the oven;
- to start the spit, press the button "O".



Cooking Control Timer Knob (only a few models)

Some models are equipped with a timer program to control when the oven shuts off during cooking. To use this feature, you must wind the "P" knob one full turn in the counter-clockwise direction ; Then, turn the knob in the clockwise direction , to set the time by matching up the indicator on the control panel with the number of minutes on the knob.

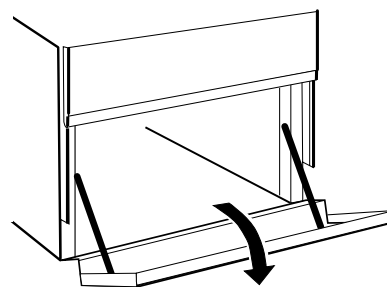
Caution

Keep children away from the oven door when in use because it becomes very hot.

Storage recess below the oven (only a few models)

Below the oven a recess can be used to contain cooking pans and cooker accessories. Moreover, during oven operation, it may be used to keep food warm. To open the storage is necessary turn it downwards.

Caution: this storage recess must not be used to store inflammable materials.



Practical advice for burner use

In order to get the maximum yield it is important to remember the following:

- Use appropriate cookware for each burner (see table) so as to avoid flames overshooting the edges.
- At boiling point turn the knob to minimum.
- Use cookware with lids.
- Always use cookware with flat bottoms.

Burner	∅ Cookware diameter (cm)
Fast (R)	24 - 26
Semi Fast (S)	16 - 20
Auxiliary (A)	10 - 14

Cooking advice

The oven offers a wide range of alternatives which allow you to cook any type of food in the best possible way. With time you will learn to make the best use of this versatile cooking appliance and the following directions are only a guideline which may be varied according to your own personal experience.

Baking cakes

The oven should always be warm before putting in cakes wait till the end of preheating (about 10-15 min.). Cake-baking temperatures are normally around 160°C/200°C. Do not open the oven door during the baking process as this could cause the cake to sink. In general:

Cooking fish and meat

When cooking white meat, fowl and fish use low temperatures. (150°C-175°C). When red meat must be superficially well-cooked but succulent inside, it is advisable to start with a high temperature (200-220°C) for a short time, and then to reduce it at a later point. Generally speaking, the more meat there is, the lower the temperature and the longer the cooking time should be. Place the meat in the centre of the grid and put a spill-tray underneath to catch grease drips. Insert the grid so that it is in the middle of the oven. If more heat from below is required, use the 1° bottom shelf.

Pastry is too dry

Increase the temperature by 10°C and reduce the cooking time.

Pastry dropped

Use less liquid or lower the temperature by 10°C.

Pastry is too dark on top

Place it on a lower rack, lower the temperature, and increase the cooking time.

Cooked well on the inside but sticky on the outside

Use less liquid, lower the temperature, and increase the cooking time.

The pastry sticks to the pan

Grease the pan well and sprinkle it with a dusting of flour.

Cooker routine maintenance and cleaning

Before each operation, disconnect the cooker from the electricity. To assure the long life of the cooker, it must be thoroughly cleaned frequently, keeping in mind that:

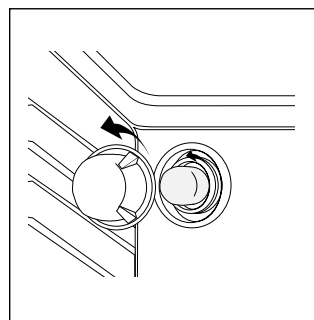
- Do not use steam equipment to clean the appliance.
- the enamelled parts and the self-cleaning panels are washed with warm water without using any abrasive powders or corrosive substances which could ruin them;
- the inside of the oven should be cleaned fairly often while it is still warm using warm water and detergent, followed by careful rinsing and drying;
- the flame spreaders should be washed frequently with hot water and detergent taking care to eliminate any scale;
- in cookers equipped with automatic lighting, the terminal part of the electronic instant lighting devices should be cleaned frequently and the gas outlet holes of the flame spreaders should be checked to make sure they are free of any obstructions;
- the electric plates are cleaned with a damp cloth and they should be lubricated with a little oil while they still warm;
- Stainless steel may become marked if it comes into contact with very hard water or harsh detergents (containing phosphorous) for long periods of time. After cleaning, it is advisable to rinse thoroughly and dry. It is also recommended to dry any water drops;
- On models with glass covers, the covers should be cleaned with hot water; the use of rough cloths or abrasives is to be avoided.

N.B: avoid closing the cover while the gas burners are still warm. Remove any liquid from the lid before opening it.

Important: periodically check the wear of the gas hose and substitute it if there are any defects; we recommended changing it every year.

Replacing the oven lamp

- Unplug the oven from the mains;
- Remove the glass cover of the lamp-holder;
- Remove the lamp and replace with a lamp resistant to high temperatures (300°C) with the following characteristics::
 - Voltage 230V
 - Wattage 25W
 - Type E14
- Replace the glass cover and reconnect the oven to the mains.



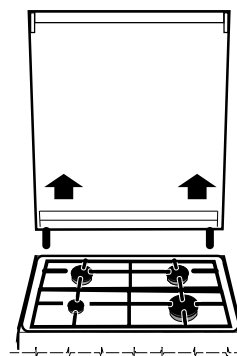
Gas tap maintenance

The taps may jam in time or they may become difficult to turn. If so, the tap itself must be replaced.

N.B.: This operation must be performed by a technician authorised by the manufacturer.

Removing the lid

The cooker lid can be removed to facilitate cleaning. To remove the lid, first open it completely and pull it upwards (see figure)



Cooking advice

Food to be cooked	Wt. (Kg)	Cooking position of shelves from bottom	Temperature (°C)	Pre-heating time (min)	Cooking time (min.)
Pasta					
Lasagne	2.5	3	210	10	60-75
Cannelloni	2.5	3	200	10	40-50
Pasta bakes au gratin	2.5	3	200	10	40-50
Meat					
Veal	1.7	3	200	10	85-90
Chicken	1.5	3	220	10	90-100
Duck	1.8	3	200	10	100-110
Rabbit	2.0	3	200	10	70-80
Pork	2.1	3	200	10	70-80
Lamb	1.8	3	200	10	90-95
Fish					
Mackerel	1.1	3	180-200	10	35-40
Dentex	1.5	3	180-200	10	40-50
Trout baked in paper	1.0	3	180-200	10	40-45
Pizza					
Napolitan	1.0	3	220	15	15-20
Cake					
Biscuits	0.5	3	180	15	30-35
Tarts	1.1	3	180	15	30-35
Savoury pie	1.0	3	180	15	45-50
Raised Cakes	1.0	3	165	15	35-40
Grill cooking					
Veal steaks	1	4		5	15-20
Cutlets	1,5	4		5	20
Hamburgers	1	3		5	7
Mackerels	1	4		5	15-20
Toast sandwiches	n.° 4	4		5	5
Grill cooking with rotisserie					
Veal on the spit	1	-		5	70-80
Chicken on the spit	2	-		5	70-80
Grill cooking with multi-skewer rotisserie (only a few models)					
Meat kebabs	1,0	-		5	40-45
Vegetable kebabs	0,8	-		5	25-30

NB: cooking times are approximate and may vary according to personal taste. When cooking using the grill, the dripping-pan must always be placed on the 1st oven rack from the bottom.

1. Это оборудование разработано для использования внутри помещений. Ни при каких обстоятельствах не используйте оборудование на улице.
2. Плита должна использоваться в домашних условиях для приготовления и разогрева пищи в соответствии с данной инструкцией. Использование оборудования не по назначению, а также промышленное использование, использование плиты в офисах, предприятиях сферы обслуживания, здравоохранения, просвещения и т.п. не предусмотрено. Производитель не несет ответственности за выход из строя оборудования при нарушении данного пункта инструкции.
3. Данная инструкция относится к оборудованию класса 1 (свободная установка) и класса 2 подкласса 1 (установка между двумя шкапами).
4. Снимите упаковку; элементы упаковки (пластиковые пакеты, пенопласт, металлические скрепки) могут быть потенциально опасны для детей, поэтому выбросьте упаковку сразу же или уберите в недоступное место.
5. Убедитесь, что Ваша плита не повреждена и полностью укомплектована. Если у Вас есть сомнения, свяжитесь с продавцом немедленно.
6. Запрещено использование удлинителей и переходников. Длина кабеля не должна превышать 1,5 м. Производитель не несет ответственности за возгорания, произошедшие из-за использования тройников и удлинителей, а также соединительного кабеля, сечение которого не соответствует потребляемой оборудованием мощности. При установке необходимо проверить соответствие характеристик сети и плиты. Необходимые сведения содержатся в специальной таблице на задней стороне плиты.
7. Розетка и вилка должны быть одного типа.
8. Плита должна устанавливаться только квалифицированным персоналом, в соответствии с рекомендациями Производителя и стандартами, действующими на территории стран СНГ. Неправильная установка может принести вред людям, животным или Вашей собственности. В случае неправильной установки Производитель снимает с себя всякую ответственность.
9. Электрическая безопасность гарантирована только при наличии эффективного заземления, выполненного в соответствии с правилами электрической безопасности. Это требование обязательно должно соблюдаться. Если возникли сомнения, свяжитесь со специалистом по установке, который проверит Вашу систему заземления. Производитель не несет ответственности за ущерб, вызванный отсутствием заземления или его неисправностью.
10. Если плита подключается непосредственно к сети (без вилки и розетки), необходимо установить многолинейный выключатель с расстоянием между разведенными контактами не менее 3 мм, линия заземления при этом не должна разрываться. Выключатель должен устанавливаться в легкодоступном месте.
11. Всегда вынимайте вилку из розетки или отключайте электричество на Вашем щитке перед мойкой или другими операциями по профилактике плиты.
12. Не тяните провод, чтобы вынуть вилку из розетки: это очень опасно. Не пережимайте и не натягивайте сетевой кабель. Для замены поврежденного кабеля вызывайте специалиста из обслуживающей организации.
13. Следите за тем, чтобы вентиляционные отверстия и щели в задней части плиты и под панелью управления не были закрыты, в противном случае возникает опасность превышения рабочей температуры электрической изоляции и короткого замыкания.
14. Ваша плита должна использоваться только для того, для чего она разработана. Если Вы решили испытать плиту другой работой, (например, отапливать помещения) делайте это на свой страх и риск. Производитель не несет ответственности за поломки, вызванные ненадлежащим или неразумным использованием.
15. Не касайтесь плиты, если Ваши руки или ноги мокрые или сырые, не пользуйтесь оборудованием босиком.
16. В соответствии с общими требованиями Государственной Противопожарной службы не оставляйте плиту без присмотра.
17. Не разрешайте детям и лицам, не знакомым с настоящей инструкцией, пользоваться плитой в ваше отсутствие.
18. Запрещается изменение конструкции плиты и вмешательство лиц, не уполномоченных Производителем на гарантийный ремонт.
19. При использовании малых кухонных электроприборов рядом с плитой следите, чтобы их питающие кабели не касались горячих частей оборудования.
20. Отключайте плиту от сети, когда уезжаете надолго. Перекройте подачу газа.
21. Не используйте легковоспламеняющиеся жидкости (алкоголь, бензин и т.п.) рядом с работающим оборудованием.
22. Не ставьте на плиту посуду с неровным или деформированным дном. Старайтесь располагать посуду так, чтобы ручки не перегревались и чтобы было невозможно опрокинуть посуду, случайно задев за ручки.
23. Если плита не используется, проверьте, что рукоятки на панели управления находятся в положении «●»/ «○».
24. Не подпускайте детей к плите, когда вы пользуетесь грилем или духовкой. Части плиты после выключения долгое время остаются горячими. Будьте осторожны, не прикасайтесь к плите: дождитесь, когда она полностью остынет.
25. **Предупреждение:**
 - Никогда не помещайте горячую посуду и воспламеняющиеся материалы в отделение для хранения и подогрева.
 - Никогда не оставляйте включенные газовые горелки пустыми или с неиспользуемой посудой, так как посуда быстро нагревается, что может повредить оборудование.
 - В некоторых моделях поверхность плиты закрывается стеклянной крышкой. Во избежание растрескивания стекла не опускайте крышку на горячие конфорки.
26. Использование газовой плиты требует постоянного притока воздуха. Устанавливая плиту, строго следуйте инструкциям, изложенным в параграфе «Расположение» настоящего Руководства.
27. При установке плиты на опоры, соблюдайте меры предосторожности, чтобы избежать соскальзывания плиты с опор.
28. При возникновении нестандартной ситуации отключите плиту от сети, позвоните в сервисный центр, телефон которого указан в гарантийном документе (гарантийном талоне, сервисной книжке, сервисном сертификате).
29. Если Вы решили, что плита больше не годится для эксплуатации, сделайте ее непригодной для использования: отключите от сети, обрежьте питающий кабель, снимите потенциально опасные части (это особенно важно для безопасности детей, которые могут играть с неиспользуемыми или выброшенными приборами).

Внимание! Для обеспечения эффективной и безопасной работы оборудования настоятельно рекомендуем:

- не пользоваться услугами лиц, не уполномоченных Производителем;
- при ремонте требовать использования оригинальных запчастей.

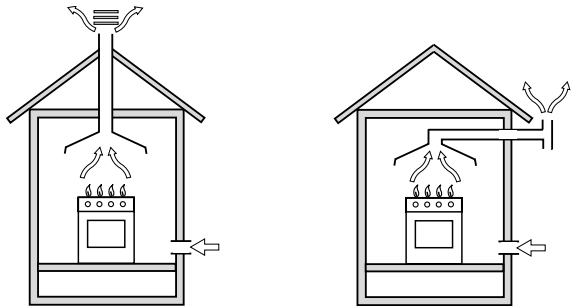
Этот раздел предназначен для квалифицированных техников и содержит инструкции по установке и обслуживанию плиты в соответствии с действующими нормами безопасности.

Важно: перед любыми работами по наладке, обслуживанию и т.п. отключите плиту от электрической сети.

Расположение

Важно: Плита должна устанавливаться и использоваться в помещениях с постоянной вентиляцией, для этого необходимо, чтобы соблюдались следующие требования:

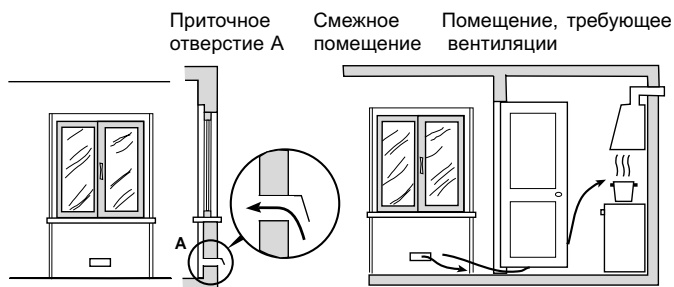
- а) Помещение должно иметь вентиляционную систему, достаточную для удаления продуктов сгорания. Это может быть вытяжка или электрический вентилятор, который автоматически включается при работе вытяжки.



Вытяжка при наличии дымохода

Прямая вытяжка

- б) Для надлежащего сгорания в помещение должен поступать свежий воздух. Приток воздуха должен составлять не менее 2 м³/час на каждый киловатт мощности устанавливаемого оборудования. Воздух может поступать прямо с улицы через трубу с сечением 100 см², конструкция которой не допускает засорения. Для оборудования, не имеющего устройства безопасности, которое предотвращает подачу газа при случайном затухании горения, сечение трубы должно быть не менее 200 см³ (рис. А). Кроме того, воздух может поступать из смежной комнаты (кроме спален и пожароопасных помещений), если она имеет подобную же приточную трубу, и конструкция двери обеспечивает свободный проход воздуха (рис. В).



Пример обеспечения притока воздуха

Обеспечение зазора между дверью и порогом для свободного прохода приточного воздуха

Рис. А

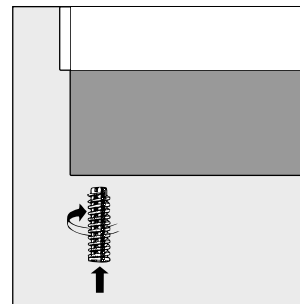
Рис. В

- в) При длительной работе плиты может потребоваться дополнительная вентиляция, например, открытое окно или наличие кондиционера.

- г) Сжиженный газ тяжелее воздуха, и поэтому скапливается внизу. Помещения, в которых устанавливаются баллоны со сжиженным газом, должны быть оснащены наружной вентиляцией, чтобы через нее мог уходить газ в случае утечки. Нельзя устанавливать и хранить баллоны с газом в помещениях, расположенных ниже уровня пола (в подвалах и полуподвалах). Рекомендуем держать в кухне только используемый баллон и устанавливать его подальше от источников тепла (духовок, каминов, печей и т.п.), способных нагреть баллон до температуры выше 50°C.

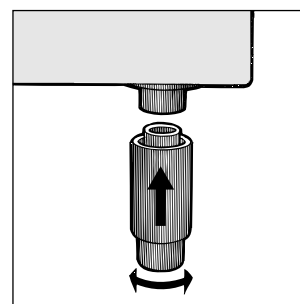
Выравнивание плиты (только для некоторых моделей)

Ваша плита снабжена регулируемыми ножками, которые служат для ее выравнивания. При необходимости, ножки вкручиваются в отверстия по углам основания плиты.



Установка опор (только для некоторых моделей)

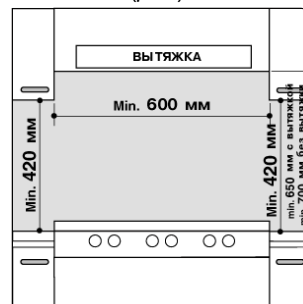
Плита комплектуется надставными опорами, которые устанавливаются под основанием плиты.



Установка плиты

Плита имеет теплоизоляцию степени X, поэтому плита не может быть установлена непосредственно рядом с мебелью, которая выше нее. Плита может соприкасаться со стеной помещения и кухонной мебелью, если они способны выдержать температуру, на 50°C превышающую комнатную. При установке плиты необходимо соблюдать следующие меры предосторожности:

- а) Плита может быть установлена в кухне, кухне-столовой или гостиной, но не в ванной или душевой.
- б) Кухонная мебель, превышающая по высоте плиту, должна стоять от нее на расстоянии не менее 110 см. Не допускается вешать занавески непосредственно за плитой и на расстоянии ближе чем 110 см от ее боковых сторон.
- в) Вытяжки устанавливаются согласно их инструкциям по эксплуатации.
- г) Стенные шкафы можно навешивать на одной линии с боковой плоскостью плиты, при этом расстояние от нижней кромки шкафа до рабочей поверхности плиты должно быть не менее 420 мм. Минимальное расстояние между плитой и кухонной мебелью, сделанной из легковоспламеняющихся материалов, должно составлять не менее 700 мм (рис).



- д) Стена, соприкасающаяся с задней стороной плиты, должна быть облицована огнеупорным материалом.

ПОДКЛЮЧЕНИЕ ГАЗА

Подключение плиты к газу должно производиться квалифицированным персоналом в соответствии с действующими стандартами и после проверки соответствия типа подключаемого газа, тому, на который настроено оборудование. При несоответствии типов газа, следуйте инструкциям параграфа «Настройка плиты на различные типы газа».

Для некоторых моделей подвод газа может быть осуществлен как с левой, так и с правой стороны. Чтобы изменить место подключения газа, поменяйте местами штуцер и заглушку и замените уплотнительную прокладку (поставляется с оборудованием). Если плита подсоединяется к баллону со сжиженным газом, отрегулируйте его давление в соответствии с действующими нормами техники безопасности, на баллон с газом необходимо установить редуктор.

Важно: для безопасной и долгой работы оборудования, убедитесь, что давление газа соответствует данным, указанным в табл. 1 «Характеристики горелок и жиклеров».

Подключение шлангом

Подсоедините газовый шланг, характеристики которого отвечают национальным стандартам.

Внутренний диаметр штуцеров под шланги:

- 8 мм – для сжиженного газа;
- 13 мм – для метана.

При подключении шлангом соблюдайте следующие меры предосторожности:

- Шланг по всей длине не должен касаться частей плиты, температура которых превышает 50°C.
- Длина шланга не должна быть более 1500 мм.
- Шланг не должен быть растянут и перекручен, иметь изгибов и уступов.
- Шланг не должен ничем прижиматься и соприкасаться с подвижными деталями и предметами, имеющими острые края.
- Шланг по всей длине должен быть доступен для осмотра и контроля состояния.

Проверьте плотность посадки шланга с обеих сторон и зафиксируйте его зажимами. Если хотя бы одно из приведенных выше требований не удастся выполнить, используйте гибкие металлизированные трубы.

Если плита устанавливается по правилам, относящимся к бытовым приборам класса 2 подкласса 1, то согласно действующим стандартам для подключения газа должны использоваться только гибкие металлизированные трубы.

Внимание: между газовой трубой и плитой после установки шланга не должно быть электрического соединения.

Подключение гибкой бесшовной стальной трубы к резьбовому соединению

Удалите штуцер. Гибкая стальная труба присоединяется к тому же выводу с наружной резьбой 1/2 дюйма. Используйте только трубы и прокладки, соответствующие национальным стандартам. Полная длина трубы не должна превышать 2000 мм. После подключения удостоверьтесь, что гибкая стальная труба не касается движущихся предметов и не пережата.

Контроль плотности подсоединения

Выполнив подключение газа проверьте наличие его утечек, используя мыльный раствор. Никогда не используйте для проверки пламя.

ЭЛЕКТРИЧЕСКИЕ СОЕДИНЕНИЯ

Подсоединение кабеля к сети

Оснастите питающий кабель соответствующей вилкой (см. табличку характеристик и местные стандарты) или непосредственно подключите оборудование к сети (без вилки и

розетки). В последнем случае должен быть установлен многолинейный выключатель, соответствующий нагрузке оборудования, с расстоянием между разведенными контактами не менее 3 мм, причем линия заземления не должна разрываться. Питающий кабель следует располагать так, чтобы по всей длине он никогда не нагревался до температуры, превышающей на 50°C комнатную.

Перед подсоединением убедитесь в том, что:

- предохранители (пробки) или автоматические выключатели и проводка выдерживают ту нагрузку, которую они уже несут и дополнительную — от вновь устанавливаемого оборудования (см. табличку характеристик);
- заземление соответствует правилам и требованиям, предъявляемым к заземлению бытовой техники;
- розетка или многолинейный выключатель находятся в легкодоступном месте.

Н.В. Никогда не используйте удлинители, переходники, двойные и более розетки, которые могут стать причиной перегрева и возгорания.

Оборудование, подключенное с нарушением требований безопасности бытовых приборов большой мощности, изложенных в настоящей инструкции, является потенциально опасным.

Производитель не несет ответственности за ущерб здоровью и собственности, если он вызван несоблюдением указанных норм установки.

Настройка плиты на различные типы газа

Для того чтобы подготовить плиту к работе с другим типом газа, необходимо заменить жиклеры, отрегулировать подачу воздуха и минимальное пламя.

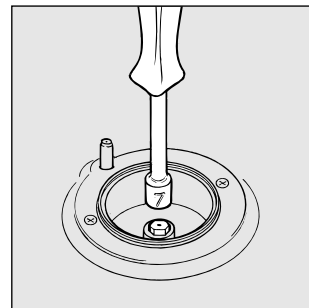
Помните, во время выполнения этих операций плита должна быть отключена от сети.

Важно: снимите имеющийся штуцер и установите тот, который находится в пакете принадлежностей.

Обратите внимание: штуцер для сжиженного газа маркирован цифрой «8», штуцер для метана и городского газа имеет маркировку «13». Обязательно установите уплотнительную прокладку.

а) Замена жиклеров верхних горелок:

- снимите решетки и выньте горелки из гнезд;
- с помощью 7 мм торцевого ключа отвинтите жиклеры и замените их жиклерами для нового типа газа (см. табл. 1 «Характеристики горелок и жиклеров»);
- соберите все детали в обратном порядке.



б) Регулировка минимального пламени верхних горелок:

- поверните рукоятку к минимальному положению;
- снимите рукоятку и вращайте ее регулировочный винт (расположен сбоку или внутри стержня регулятора) в разные стороны пока пламя не станет малым, но устойчивым.

Н.В. В случае с сжиженным газом регулировочный винт должен быть закручен полностью.

- убедитесь, что при быстром повороте рукоятки от максимального к минимальному положению пламя не гаснет.
- в) Регулировка поступления воздуха в горелки:
- регулировка не требуется.

Настройка газовой духовки на другой тип газа

а) Замена жиклера горелки духовки:

- выньте отделение для хранения и подогрева;
- выдвиньте и удалите защитную панель «А» (см. рис. С);
- открутите винт «V» (рис. D) и снимите горелку — для облегчения этой процедуры снимите дверцу;
- специальным торцевым ключом для жиклеров (рис. E) или 7 мм торцевым ключом отвинтите жиклер горелки духовки и замените его подходящим для нового типа газа (см. таблицу 1).

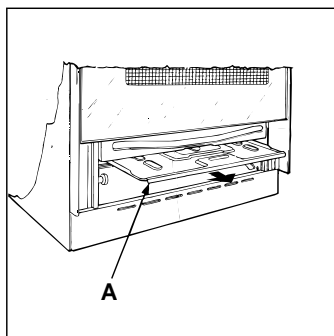


Рис. С

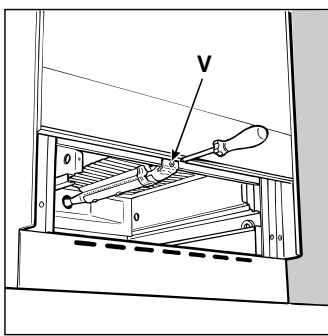


Рис. D

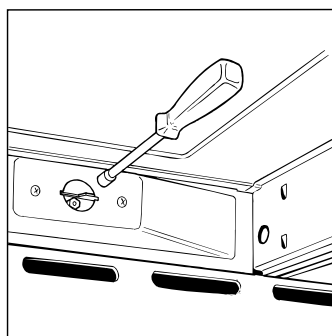
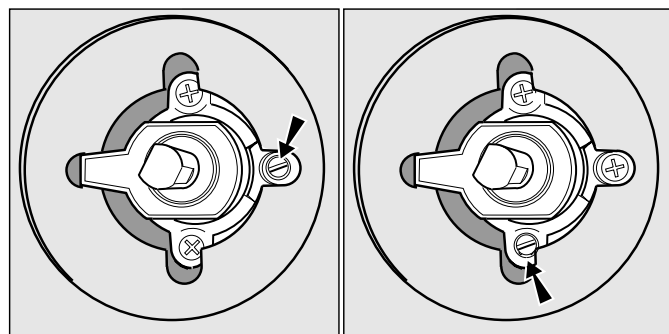


Рис. E

- б) Регулировка минимума для газовой горелки духовки с термостатом (см. рис.):
- зажгите горелку как описано в параграфе «Рукоятка управления газовой духовкой» инструкции;
 - поверните рукоятку и установите ее приблизительно на 10 мин в положение **Max**, а затем — в положение **Min**;
 - снимите рукоятку;
 - винтом, расположенным с внешней стороны стержня регулятора, отрегулируйте пламя до малого, но устойчивого положения.

Н.В. В случае с сжиженным газом регулировочный винт должен быть закручен полностью.



- удостоверьтесь, что при быстром повороте рукоятки от **Max** к **Min** и при резком открывании и закрывании дверцы пламя не гаснет.

Настройка газового гриля на различные типы газа

Замена жиклера горелки гриля:

- отверните винт **V** (рис. F) и снимите горелку гриля;
- специальным торцевым ключом для жиклеров или 7 мм торцевым ключом выверните жиклер (рис. G) и замените его подходящим к типу газа (см. табл. 1).

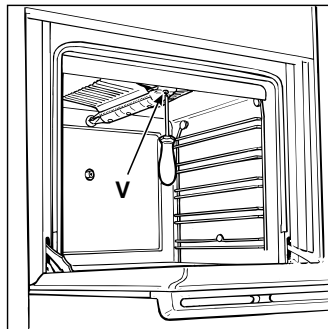


Рис. F

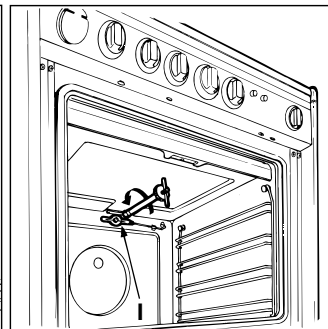


Рис. G

Старайтесь не повредить провода питания и термопары.

Важно: по завершении всех операций старую наклейку замените на новую — с указанием типа используемого газа (наклейку можно приобрести в сервисном центре).

Примечание: если давление используемого газа отличается от рекомендуемого, на подводную трубу в соответствии действующими местными стандартами необходимо установить подходящий редуктор.

Характеристики горелок и жиклеров

Таблица 1

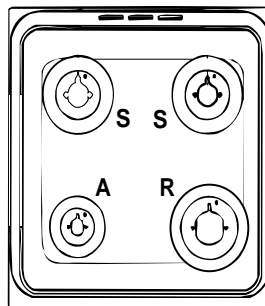
Горелка	Диаметр (мм)	Тепловая мощность кВт (р.с.с.*)		Сжиженный газ				Природный газ			
		номин.	уменьш.	Отверстие 1/100 (мм)	Жиклер 1/100 (мм)	Поток* g/h		Жиклер 1/100 (мм)	Поток* l/h	Жиклер 1/100 (мм)	Поток* l/h
						***	**				
Быстрая (большая)(R)	100	3.00	0.7	41	87	218	214	128	286	143	286
Полубыстрая (средняя)(S)	75	1.90	0.4	30	70	138	136	104	181	118	181
Дополнительная (Маленькая) (A)	51	1.00	0.4	30	52	73	71	76	95	80	95
Духовка	-	3.10	1.0	46	85	225	221	132	295	148	288
Гриль	-	2.50	-	-	80	182	179	122	238	139	227
Давление	Номинальное (мбар)					28-30	37	20		13	
	Минимальное (мбар)					20	25	17		6,5	
	Максимальное (мбар)					35	45	25		18	

* Сухой газ при 15°C и давлении 1013 мбар

** Пропан P.C.S. = 50.37 МДж/кг

*** Бутан P.C.S. = 49.47 МДж/кг

Природный газ P.C.S. = 37.78 МДж/м³



K1G21/R
K1G21S/R

Технические характеристики

Внутренние размеры духовки:

Ширина: 39 см
Глубина: 38 см
Высота: 34 см

Внутренний объем духовки:

50 л

Внутренние размеры отделения для хранения и подогрева:

Ширина: 42 см
Глубина: 44 см
Высота: 17 см

Напряжение и частота питания:

См. таблицу характеристик

Горелки:

адаптированы для всех типов газа, указанных в таблице характеристик, расположенной слева внутри отделения для хранения и подогрева или на внутренней стороне дверцы этого отделения

Продукция сертифицирована на соответствие ГОСТам:

Код органа по сертификации

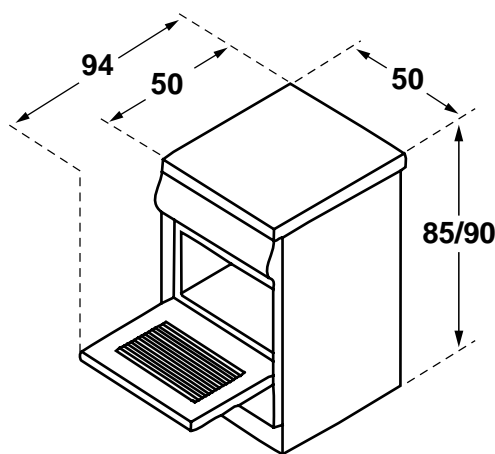


AЮ77



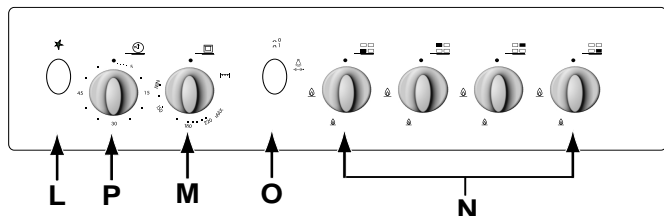
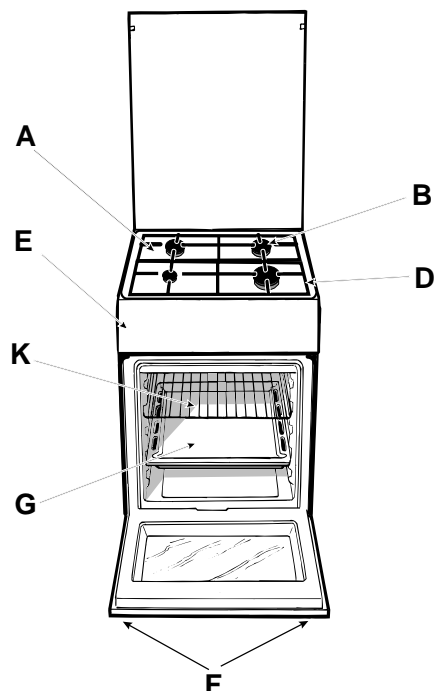
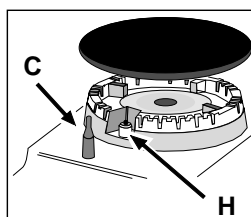
Это оборудование соответствует следующим директивам Европейского экономического сообщества:

- 73/23/ЕЕС от 19/02/73 (Низкое напряжение) и последующие модификации;
- 89/336/ЕЕС от 03/05/89 (Электромагнитная совместимость) и последующие модификации;
- 90/396/ЕЕС от 29/06/90 (Газ) и последующие модификации;
- 93/68/ЕЕС от 22/07/93 и последующие модификации.






Кухонная плита с газовой духовкой (описание)

- A Рабочая поверхность
- B Газовые горелки
- C Устройство безопасности верхних газовых горелок (только для некоторых моделей)
- D Верхняя решетка
- E Панель управления
- F Регулируемые ножки или надставные опоры
- G Поддон для сбора жира или противень
- H Устройство электронного зажигания (только для некоторых моделей)
- K Решетчатая полка духовки
- L Кнопка электронного зажигания верхних газовых горелок (только для некоторых моделей)
- M Рукоятка управления духовкой и грилем
- N Рукоятки управления верхними газовыми горелками
- O Кнопка включения освещения духовки и вертела (только для некоторых моделей)
- P Рукоятка таймера (только для некоторых моделей)




Для выбора различных функций плиты служат ручки и кнопки на панели управления.

РУКОЎТКИ УПРАВЛЕНИЯ ВЕРХНИМИ ГАЗОВЫМИ ГОРЕЛКАМИ (N)

Положение каждой горелки, управляемой соответствующей ручкой, схематически помечено закрашенным кружком. Чтобы зажечь горелку, поднесите к ней зажженную спичку или зажигалку. Одновременно нажмите и поверните соответствующую ручку против часовой стрелки по направлению к **максимальному** положению . Сила пламени каждой горелки регулируется в максимальном, минимальном или промежуточных значениях. Соответствующие символы изображены около каждой ручки на панели управления:  — **максимальное пламя**;  — **минимальное пламя**, «●» — выключено. Чтобы установить ручку в эти положения, поверните ее против часовой стрелки от позиции ● (выключено) и совместите риску на ручке с нужным символом. Для выключения горелки поверните ручку по часовой стрелке до упора (соответствует символу ●).

Электронное зажигание верхних газовых горелок

Некоторые модели оснащены встроенным электронным зажиганием верхних газовых горелок (см. деталь **H**). Устройство электронного зажигания срабатывает при нажатии на кнопку **L**, обозначенную символом . Чтобы зажечь горелку просто нажмите на кнопку **L** и держите ее нажатой, одновременно нажимая и поворачивая ручку горелки против часовой стрелки, пока огонь не загорится.

Для немедленного зажигания сначала нажмите кнопку **L**, а затем поверните ручку горелки.

Если горелка случайно погаснет, выключите газ ручкой, и подождите не менее 1 минуты перед повторным включением.

Модели с устройством безопасности

Устройство безопасности **C** срабатывает, если пламя случайно погасло — прекращает подачу газа в горелку.

Важно: после включения горелки **держите ее ручку нажатой 6 секунд**, давая выход газу, пока не прогреется термомпара.

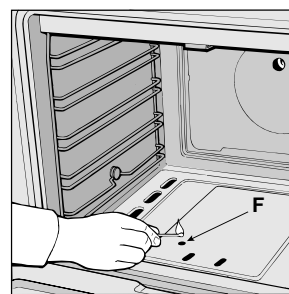
Внимание: перед первым использованием духовки и гриля прокалите пустую духовку в течение получаса с открытой дверцей, установив термостат в максимальное положение. Убедитесь, что комната хорошо проветривается. На некоторое время может появиться неприятный запах — это сгорают смазочные вещества, используемые для консервации духовки и гриля во время хранения оборудования.

Предупреждение: использование дна духовки допускается только при работе вертела (при наличии). Во всех других случаях готовьте пищу только на решетке или противне, вставляя их по направляющим. Ни в коем случае не располагайте посуду (блюда, алюминиевую фольгу и т.д.) на дне духовки — это может повредить эмалевое покрытие.

Ручка управления газовой духовкой и грилем (M)

Данная ручка используется для выбора различных функций духовки и для установки правильной температуры приготовления из значений (от **Min** до **Max**), указанных вокруг ручки.

Чтобы зажечь горелку духовки поднесите горящую спичку или зажигалку к отверстию «**F**» (см. рис.) и поверните ручку управления духовкой **M** против часовой стрелки в положение **Max**.

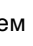


Если модель оснащена устройством безопасности, ручку **M следует держать нажатой не менее 6 секунд (давая выход газу) для прогрева датчика устройства.**

Желаемая температура приготовления выбирается из значений указанных на панели управления; полный диапазон

Min	•	150	•	180	•	220	Max
-----	---	-----	---	-----	---	-----	-----

температур, поддерживаемых термостатом, показан ниже: Духовка нагревается до заданной температуры, и термостат, управляемый ручкой, поддерживает температуру постоянной.

Чтобы включить гриль, нажмите и поверните ручку **M** по часовой стрелке в позицию , затем поднесите горящую спичку или зажигалку к горелке гриля.

Если модель плиты оснащена устройством безопасности, ручку духовки **M следует держать нажатой не менее 6 секунд, чтобы устройство успело сработать.**

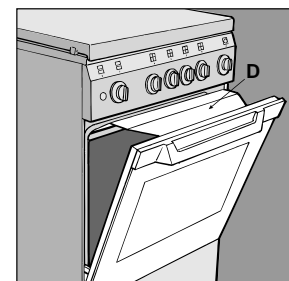
Инфракрасное излучение нагревает поверхность мяса непосредственно (воздух нагревается слабо). На мясе образуется румяная корочка, которая сохраняет мясо сочным и мягким. Гриль идеален для приготовления блюд, требующих высокой температуры поверхности, таких как: бифштекс, филе, гамбургеры, ростбиф и т.д.

Под решетку гриля поместите поддон для сбора жира.

Важно: Если пламя горелок духовки или гриля неожиданно погаснет, поверните ручку управления духовкой **M** в позицию «●» — выключено и не зажигайте духовку снова по крайней мере 1 минуту.


Важно: при пользовании грилем оставьте дверцу духовки приоткрытой и обязательно поместите между дверцей и панелью управления отражатель **D** для защиты ручек от перегрева.

Внимание: дверца духовки в процессе приготовления силь-





но нагревается, не позволяйте детям прикасаться к ней.

Кнопка освещения духовки (O)

Кнопка, обозначенная символом , включает освещение в духовке: вы можете следить за приготовлением пищи, не открывая дверцу духовки.

Ручка таймера (P) (только для некоторых моделей)

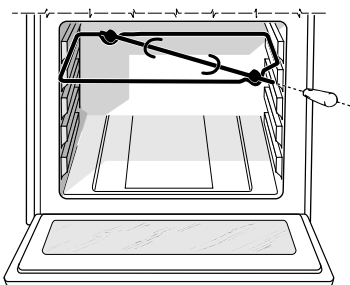
Чтобы завести таймер, поверните ручку **P** на один пол-

ный оборот против часовой стрелки ; затем вращением рукоятки по часовой стрелке  установите желаемое время приготовления — для этого совместите нужное количество минут на рукоятке с меткой на панели.

Вертел (только для некоторых моделей)

При использовании вертела, действуйте следующим образом:

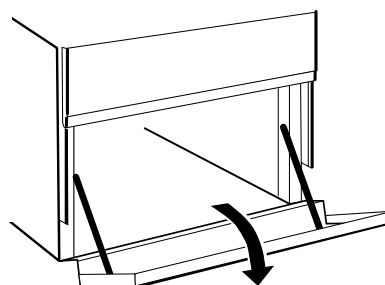
- поместите поддон для сбора жира на 1-й уровень;
- вставьте рамку вертела на 4-й уровень и поместите на нее вертел, вставив его в специальное отверстие в задней стенке духовки;
- включите вертел нажатием кнопки **O**.



Отделение для хранения принадлежностей (только для некоторых моделей)

Под духовкой имеется отделение, в котором можно хранить сковороды и кухонные принадлежности. Кроме того, когда работает духовка, это отделение можно использовать для разогрева пищи. Отделение открывается на себя (рис.)

Осторожно: Не храните в этом отделении воспламеняющиеся материалы.



Использование газовых горелок

Для получения наилучших результатов следуйте основным правилам:

- используйте посуду, подходящую по диаметру каждому типу горелки: пламя не должно заходить за края посуды;
- при закипании поворачивайте рукоятку горелки в минимальное положение;
- накрывайте посуду крышками;
- всегда используйте посуду с плоским дном.

Горелка	Диаметр дна посуды (см)
Быстрая (R)	24 - 26
Полубыстрая (S)	16 - 20
Дополнительная (A)	10- 14

Практические советы

Широкий диапазон функций духовки позволяет приготовить пищу наилучшим способом. Со временем Вы приобретете собственный опыт, который позволит наиболее полно использовать возможности оборудования. Кроме того, Вам помогут следующие рекомендации:

Выпечка пирогов

Перед выпечкой пирогов всегда прогревайте духовку (около 10-15 мин.). Обычно температура приготовления 160/200°C. Не открывайте дверцу духовки во время выпекания, чтобы тесто не осело. Тесто не должно быть слишком жидким, иначе время приготовления может затянуться.

Общие замечания:

Если пирог слишком сухой:
в следующий раз повысьте температуру на 10°C и сократите время приготовления.
Если пирог слишком сырой:
в следующий раз понизьте температуру на 10°C или сократите количество жидкости при замешивании теста.
Если поверхность пирога слишком темная:
поместите форму на более низкий уровень, уменьшите температуру и увеличьте время приготовления.
Если пирог хорошо пропечен снаружи, а внутри сырой:
сократите количество жидкости при замешивании теста, уменьшите температуру и увеличьте время приготовления.

Когда готовится сразу несколько блюд, блюда доходят до готовности не одновременно:

уменьшите температуру. Блюда, которые Вы готовите, должны иметь одинаковое время приготовления.

Когда готовится сразу несколько блюд, блюда доходят до готовности не одновременно:

уменьшите температуру. Блюда, которые Вы готовите, должны иметь одинаковое время приготовления.

Приготовление рыбы и мяса

Чтобы избежать пересушивания, готовьте мясо кусками не меньше 1 килограмма. Когда готовите белое мясо, птицу или рыбу, задавайте низкую температуру (150–175°C). При приготовлении красного мяса, которое должно быть хорошо пропеченным снаружи и сочным внутри, на короткий промежуток времени повысьте температуру до 200–220°C, а затем установите прежнее значение. В основном чем больше жаркое, тем ниже температура и дольше время приготовления. Положите мясо на середину решетки, а под нее поместите поддон для сбора жира. Поставьте решетку на средний (центральный) уровень духовки. Если Вы хотите увеличить количество тепла снизу, используйте нижний уровень духовки.

Для получения вкусной корочки поливайте мясо растопленным жиром или обложите кусочками бекона, решетку поместите в верхнюю часть духовки.

Перед чисткой или любыми операциями по уходу за плитой отсоедините ее от электрической сети.

Для продления срока службы оборудования необходимо тщательно и регулярно его чистить, имея в виду, что:

- Для чистки не использовать паровые агрегаты.
- Эмалированные части и самоочищающиеся поверхности мойте теплой водой без применения абразивных и разъедающих средств, которые могут испортить их.
- Изнутри духовку промывайте пока она еще не остыла теплой водой с моющим средством, затем тщательно ополосните и вытрите.
- Рассекатели пламени регулярно промывайте горячей водой с моющим средством, обязательно удаляя окислы.
- Наконечник электронного зажигания должен чиститься осторожно и регулярно, также проверяйте, не забиты ли газовые отверстия.
- Нержавеющая сталь может потерять свои свойства при длительном контакте с жесткой водой или агрессивными чистящими средствами (содержащими фосфор). Рекомендуется компоненты из нержавеющей стали промывать водой и вытирать насухо, не оставляя потеков.

Н.В. Не закрывайте крышку плиты, пока газовые горелки еще горячие.

Важно: периодически проверяйте состояние газового шланга и при обнаружении каких-либо дефектов немедленно замените шланг.

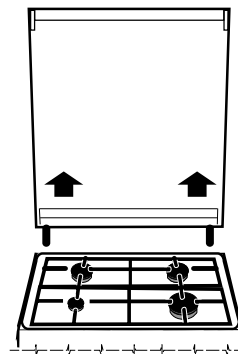
Уход за ручьями газовой варочной панели

В процессе эксплуатации может произойти заклинивание крана или возникнуть трудности при поворачивании его; при этом потребуется заменить кран.

Примечание: Операция по замене должна выполняться техником, уполномоченным изготовителем

Удаление крышки

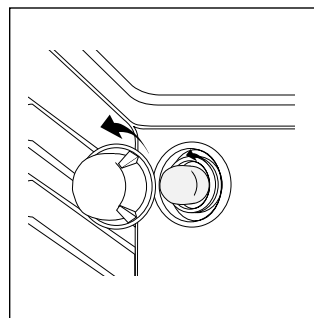
Для облегчения чистки крышку плиты можно снять. Для этого откройте крышку полностью и потяните ее вверх (см. рис.)



Замена лампы в духовке

(данная процедура не является гарантийным ремонтом)

- Отключите духовку от сети, выключив многополярный выключатель или (при наличии) выньте вилку из розетки.
- Снимите стеклянную крышку с держателя лампы.
- Выверните лампу (см. рис.) и замените ее лампой, выдерживающей нагрев до 300°C со следующими характеристиками:
 - напряжение 230 В,
 - мощность 25 Вт,
 - тип E14.
- Поместите стеклянную крышку держателя на место и подключите духовку к сети.



Практические советы

Блюдо	Вес (кг)	Уровень духовки снизу	Температура (С°)	Время предварительного разогрева духовки (мин)	Время приготовления (мин)
Макаронные изделия					
Лазанья	2,5	3	210	10	60-75
Каннелони	2,5	3	200	10	40-50
Запеченная лапша	2,5	3	200	10	40-50
Мясо					
Телятина	1,7	3	200	10	85-90
Цыпленок	1,5	3	220	10	90-100
Утка	1,8	3	200	10	100-110
Кролик	2,0	3	200	10	70-80
Свинина	2,1	3	200	10	70-80
Баранина	1,8	3	200	10	90-95
Рыба					
Макрель	1,1	3	180-200	10	35-40
Форель, запеченная в пакете	1,0	3	180-200	10	40-45
Пицца					
Неаполитанская пицца	1,0	3	220	15	15-20
Пироги					
Бисквиты	0,5	3	180	15	30-35
Ватрушки	1,1	3	180	15	30-35
Несладкий пирог	1,0	3	180	15	45-50
Дрожжевые пироги	1,0	3	165	15	35-40
Блюда для гриля					
Отбивные из телятины	1,0	4		5	15-20
Котлеты	1,5	4		5	20
Гамбургеры	1	3		5	7
Макрель	1,1	4		5	15-20
Сэндвичи	4 шт.	4		5	5
Блюда для гриля с вертелом					
Телятина на вертеле	1,0	-		5	70-80
Цыплята	2,0	-		5	70-80
Блюда для гриля с многошампурным вертелом					
Мясной шашлык	1,0	-		5	40-45
Шашлык из овощей	0,8	-		5	25-30

NB: Время приготовления является приблизительным и может изменяться по Вашему усмотрению.

Indesit Company spa

Срок службы

10 лет

со дня изготовления

Производитель оставляет за собой право без предупреждения вносить изменения в конструкцию, не ухудшающие эффективность работы оборудования.

Некоторые параметры, приведенные в этой инструкции, являются приблизительными.

Производитель не несет ответственности за незначительные отклонения от указанных величин.

Pentru a garanta eficiența și siguranța acestui produs electrocasnic vă sfătuim să urmați aceste indicații :

- adresați-vă exclusiv centrelor de asistență tehnică autorizate
- solicitați întotdeauna piese de schimb originale

- 1 Acest aparat a fost conceput pentru folosirea non-profesională în interiorul locuinței.
- 2 Aceste instrucțiuni sunt pentru țările ale căror simboluri apar pe coperta prezentului Manual de Instrucțiuni
- 3 Înainte de utilizarea aparatului, citiți cu atenție instrucțiunile conținute în prezentul Manual de Instrucțiuni referitoare la indicațiile de siguranță a instalării, folosirea și întreținerea lui. Păstrați cu grijă acest manual în vederea oricărei consultări ulterioare.
- 4 După ce ați îndepărtat ambalajul, asigurați-vă de integritatea aparatului. În caz de dubii, nu utilizați aparatul și adresați-vă personalului calificat. Elementele de ambalare (pungi de plastic, polistiren, cuie, etc.) nu trebuie să fie lăsate la îndemâna copiilor pentru că pot reprezenta evidente surse de pericol.
- 5 Operația de instalare trebuie efectuată doar de către un tehnician autorizat, în conformitate cu reglementările legale. Producătorul își declină orice responsabilitate pentru instalarea defectuoasă ce poate avea ca efecte răni ale persoanelor sau pagube ale bunurilor din locuință..
- 6 Siguranța electrică a acestui aparat este asigurată doar în cazul unei împămîntări corecte prevăzute de normele legale de siguranță electrică.
- 7 Este necesar să verificați aceste prevederi de siguranță și, în caz de dubiu, să solicitați un control amănunțit din partea personalului calificat. Producătorul nu poate fi considerat responsabil de absența unei astfel de împămîntări.
- 8 Înainte de a conecta aparatul, asigurați-vă că informațiile conținute pe eticheta aparatului și pe ambalajul acestuia sunt în concordanță cu rețeaua electrică de distribuție a gazului.
- 9 Verificați dacă capacitatea electrică a instalației și a prizelor de curent este în concordanță cu puterea maximă a aparatului indicată pe etichetă. În caz de dubiu, adresați-vă personalului calificat din punct de vedere profesional.
- 10 Pentru a efectua operația de instalare aveți nevoie de un întrerupător omnipolar cu o deschidere a contactelor egală sau superioară cu 3 mm.
- 11 În caz de incompatibilitate a prizei, recurgeți la înlocuirea ei cu un model recomandat de personalul calificat. Secțiunea cablului de alimentare trebuie să se coreleze cu puterea absorbită de aparat. În general, nu vă sfătuim să recurgeți la prelungitoare sau prize multiple. Dacă utilizarea acestora este indispensabilă, este necesar să utilizați doar prelungitoare conforme cu normele de siguranță legale și să nu depășiți limitele maxime marcate pe aceste prelungitoare.
- 12 Nu lăsați aparatul conectat la sursa electrică în mod inutil. Deconectați întrerupătorul general al aparatului când acesta din urmă nu este utilizat și închideți robinetul de gaz.
- 13 Nu obstrucționați deschiderile speciale pentru ventilație sau căldură.
- 14 Cablul de alimentare al acestui aparat nu trebuie înlocuit de către proprietar. În cazul deteriorării sau substituirii lui, adresați-vă exclusiv centrului de asistență tehnică autorizată de către producător.
- 15 Acest aparat trebuie să fie utilizat doar în scopul pentru care a fost conceput. Oricare altă întrebuințare (de exemplu, încălzire) este considerată improprie și deci periculoasă. Constructorul nu poate fi considerat responsabil pentru eventualele daune derivate din utilizări inadecvate, eronate și iraționale.
- 16 Folosirea unui astfel de aparat electric presupune respectarea unor reguli fundamentale.
 - nu atingeți aparatul avînd mîinile sau picioarele ude sau umede
 - nu folosiți aparatul dacă sunteți desculți
 - nu utilizați, dacă nu este strict necesar, prelungitoare.
 - nu trageți de cablul de alimentare sau de aparatul însuși pentru a-l deconecta de la sursa electrică.
 - nu-l expuneți la agenți atmosferici (ploaie, soare, etc.)
 - nu permiteți utilizarea lui de către copiii nesupravegheați și de către persoanele care nu știu să-l utilizeze.
- 17 Înainte de efectuarea oricărei operații de curățenie sau întreținere, deconectați-l de la sursa electrică sau selectați poziția "Închis" a întrerupătorului de la instalație.
- 18 Atunci cînd decideți să nu utilizați aparatul, el devine inoperant prin îndepărtarea cablului de alimentare, după ce l-ați deconectat de la sursa electrică. Se recomandă să nu se atingă acele părți ale aparatului susceptibile de a constitui un pericol, mai ales pentru copii.
- 19 Pentru a evita accidentele nu folosiți vase avînd în dotare butoane neregulate sau deformate Poziționați mîinerele ibricelor sau ale tigăilor îndreptate spre interior pentru a evita ciocniri accidentale.
- 20 Anumite părți ale aparatului rămîn calde pentru o perioadă lungă de timp după folosire. Nu le atingeți !
- 21 Nu utilizați lichide inflamabile (alcool, benzină) în apropierea aparatului în momentul utilizării.
- 22 Dacă folosiți mici articole electrocasnice în apropierea aparatului, asigurați-vă că părțile calde nu intră în contact cu cablul de alimentare.
- 23 Controlați întotdeauna butoanele de reglare care trebuie să se afle în poziția: "•"/"O" în momentul neutilizării aparatului.
- 24 Cînd grillul sau cuptorul sunt în funcțiune, părțile accesibile se pot încălzi foarte mult. Din acest motiv este important să nu permiteți accesul copiilor.
- 25 Aparatele pe gaz necesită o ventilație regulată în vederea unei corecte funcționări. Pentru instalarea aragazurilor, vă rugăm să respectați instrucțiunile prevăzute la paragraful : " POZIȚIONARE "
- 26 Capacul de sticlă (prezent doar la anumite modele) se poate sparge în cazul unei supraîncălziri, deci e necesar ca toate aprinzătoarele să fie stinse înainte de închiderea capacului.

Instrucțiunile ce urmează se adresează instalatorului calificat în vederea îndeplinirii operațiilor de instalare, reglare și întreținere tehnică în modul cel mai corect și în concordanță cu normele în vigoare.

Important : orice intervenție de reglare, întreținere trebuie să fie executată în absența oricărei conexiuni la rețeaua electrică din bucătărie.

Poziționare : Aragazul este prevăzut cu un sistem de protecție împotriva încălzirilor excesive și din această cauză instalarea se poate face în apropierea mobilelor a căror înălțime nu depășește nivelul plitei. Acest aparat poate fi instalat și poate funcționa doar în locuri bine ventilate. Trebuie să citiți cu atenție următoarele indicații:

- Camera trebuie să fie prevăzută cu un sistem de evacuare în exterior a fumului provenit prin ardere, realizat cu ajutorul unei hote sau prin intermediul unui ventilator electric care să intre în funcțiune automat la fiecare aprindere a aparatului.
- Camera trebuie să fie prevăzută cu un sistem care să permită aflulxul de aer necesar arderii regulate. Debitul de aer necesar arderii nu trebuie să fie mai mic de 2 m³ pentru un kW de putere instalată. Sistemul poate fi realizat prelevând direct aerul din exteriorul clădirii prin intermediul unei conducte de cel puțin 100 cm²; cu o deschidere care să nu fie blocată în mod accidental (fig. A). Sistemul poate procura aerul necesar pentru ardere prin mijloace indirecte de la camerele adiacente, prevăzute cu o conductă de ventilație spre exterior (fig. B).

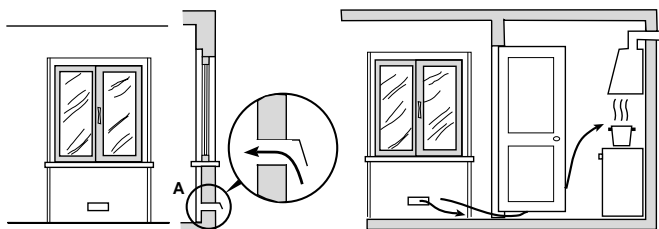


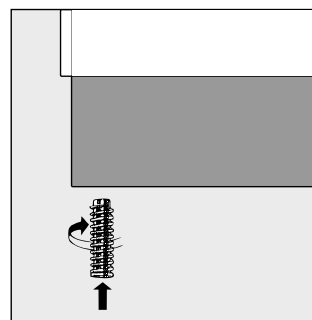
Fig. A

Fig. B

- Utilizarea intensivă sau prelungită a aparatului poate necesita o aerisire suplimentară, de exemplu deschiderea unei ferestre sau o aerisire mai eficientă, mărind puterea de aspirație mecanică dacă aceasta există.
- Gazul lichefiat, mai greu decât aerul, coboară în partea de jos. De aceea locurile în care sunt depozitate butelii GPL trebuie să fie echipate cu orificii spre exterior astfel încât să permită evacuarea eventualelor scurgeri de gaz. Buteliile goale sau parțial goale nu trebuie instalate sau depozitate în locuri cu un nivel mai jos decât solul (pivnițe). Este important să ținem doar butelia pe care o folosim, poziționată astfel încât să nu fie subiect de acțiune directă a surselor de caldură (cuptor, vatră, sobă), factori de creștere a temperaturii buteliei cu peste 50 °C.

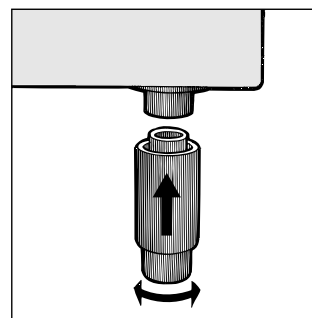
Orizontalitate (prezent doar la anumite modele)

Pentru a așeza aragazul în poziție orizontală, vă puteți folosi de picioarele de reglare, învârtindu-le în cele două sensuri de rotație pentru a le deșuruba/înșuruba.



Montarea picioarelor (prezente doar la anumite modele)

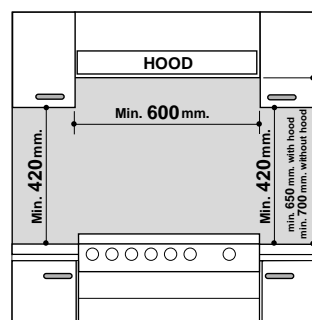
Sunt furnizate picioare de montare care se instalează la baza aragazului.



Instalarea aragazului

Instalarea se poate face în apropierea mobilelor a căror înălțime nu depășește nivelul plitei. Dacă aragazul este plasat în apropierea pereților, a vitrinelor sau a dulapurilor, acestea din urmă trebuie să reziste la o temperatură superioară cu 50 °C în raport cu temperatura camerei. Pentru o corectă instalare a aragazului va trebui să luați în considerare următoarele precauții :

- Aragazul poate fi așezat în orice cameră, cu excepția băii.
- Mobilele situate în apropiere, a căror înălțime depășește planul de lucru, trebuie să fie situate la cel puțin 110 mm distanță de plită.
- Hotele trebuie să fie instalate în concordanță cu instrucțiunile conținute în acest manual;
- Dulapurile suspendate pot fi montate deasupra aragazului dar distanță minimă față de planul de lucru trebuie să fie de 420 mm. Distanța minimă la care pot fi poziționate mobilele adiacente în raport cu aragazul va fi de 700 mm
- Peretele care este în contact cu cel aflat în spatele aragazului trebuie să fie din material neinflamabil.



Conexiunea la alimentarea cu gaz

Brașamentul la conductă sau la butelia de gaz trebuie efectuat conform standardelor în vigoare în România la data achiziționării aragazului, dar numai după ce a fost verificat tipul de gaz cu care va fi alimentat. În caz contrar, executați operațiile indicate în paragraful : “ Adaptare la diferitele tipuri de gaz ”. La anumite modele, alimentarea cu gaz se poate face indiferent de poziționare : stânga sau dreapta, în funcție de caz; pentru schimbarea conexiunii, este necesară inversarea furtunului de susținere cu acela al dopului de închidere și susținerea garniturii (în dotare). În cazul alimentării cu gaz lichid de la butelie, utilizați regulatori de presiune conform Normelor în vigoare.

Important : pentru o funcționare sigură, pentru uzul adecvat al energiei și pentru o durată de utilizare mai îndelungată a aparatului, asigurați-vă că presiunea de alimentare respectă valorile indicate în tabelul 1 “ Caracteristici ale arzătoarelor și ale duzelor ”

Conectarea racordului de alimentare cu gaz

Executați această conectare prin intermediul unui furtun special care să corespundă caracteristicilor indicate în standardele în vigoare în România la data achiziționării aragazului. Diametrul intern al furtunului de utilizare trebuie să fie :

- 8 mm pentru alimentarea cu gaz lichid
- 13 mm pentru alimentarea cu gaz metan

Pentru punerea în funcțiune a acestor racorduri flexibile trebuie respectate următoarele indicații :

- nu trebuie să intre în contact cu părțile care depășesc temperaturi mai mari de 50 °C.
- să aibă o lungime mai mică de 1500 mm
- să nu facă subiectul nici unui efort de tracțiune sau torsiune și să nu prezinte înclinații excesive sau să fie înguste
- să nu vină în contact cu corpuri tăioase, colțuroase, părți mobile sau strivite
- de-a lungul întregii perioade trebuie să faciliteze inspecția având ca scop verificarea stării de păstrare

Asigurați-vă că furtunul este strâns legat la cele două extremități ale sale și fixați-l cu coliere de fixare conform normelor în vigoare. Dacă vreuna dintre aceste condiții nu poate fi respectată, va trebui să utilizați furtune metalice flexibile. Dacă aragazul este instalat conform condițiilor clasei 2, subclasa 1, conexiunea la rețeaua de gaz trebuie făcută doar printr-un furtun metalic flexibil conform normelor în vigoare.

Conectarea unui furtun flexibil din inox cu filet

Eliminați furtunul de susținere deja prezent la aparat. El are pereți subțiri și o suprafață gofrată. Acest furtun se leagă la racordul cu filet exterior de ½ țoli în diametru. Utilizați doar furtune și garnituri conforme normelor în vigoare. Operația trebuie efectuată astfel încât lungimea lor să nu depășească 2000 mm.

Controlul furtunului

Important : controlați dacă racordurile sunt bine închise, folosind pentru aceasta o soluție cu săpun și apă dar niciodată o flacăra. Furtunul metalic nu trebuie să intre în contact cu părțile mobile care îl pot strivi sau obtura.

Conectarea cablului de alimentare la rețeaua electrică

Trebuie să existe o priză conformă cu indicațiile; în cazul conectării directe la rețea este necesar să existe între aparat și rețea un întrerupător unipolar cu o deschidere minimă a contactelor de 3 mm . Acest întrerupător trebuie reglat în funcție de încărcătură și trebuie să respecte normele legale.

Cablul de alimentare trebuie poziționat astfel încât să nu atingă o temperatură mai mare de 50 °C în raport cu cea a camerei. Înainte de efectuarea conectării, verificați ca :

- valva limitatoare și instalația să poată suporta sarcina aparatului (a se vedea eticheta aparatului)
- instalația de alimentare să beneficieze de o împământare conformă cu normele și dispozițiile legii ;
- există acces facil la priză și la întrerupătorul omipolar

N.B : Nu utilizați reducători, adaptori sau derivați pentru că aceștia ar putea provoca încălziri sau arsuri.

Adaptarea aragazului la diferite tipuri de gaz

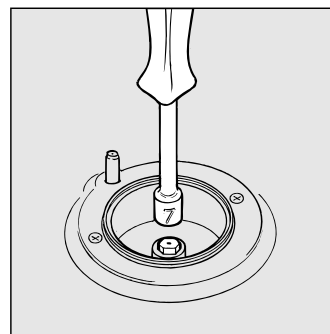
Pentru adaptarea aragazului la un tip de gaz diferit de cel pentru care este predispus (indicat pe eticheta fixată pe capac) este necesar să efectuăm următoarele operații:

a) Înlocuirea inelului de susținere a arzătoarelor plitei cu cele livrate în punguța de accesorii;

Important : duzele pentru gaz lichid sunt marcate cu cifra “ 8 ” iar cele pentru gaz metan cu “ 13 ”. Aveți grijă să puneți întotdeauna garnitura.

b) Înlocuirea duzelor

- îndepărtați grătarele și arzătoarele
- deșurubați duzele, servindu-vă de o cheie specială de 7 mm și înlocuiți-le cu cele adaptate noului tip de gaz (a se vedea tabelul 1 “ Caracteristici ale arzătoarelor și duzelor ”)
- înlocuiți toate componentele urmând operațiile în sens invers



a) Reglarea la minim a arzătoarelor plitei

- fixați robinetul la minim
- scoateți butonul de reglare și acționați asupra șurubului de reglare aflat în interiorul sau în apropierea robinetului până la a obține o mică flacăra mică dar stabilă.

N.B În cazul utilizării gazului lichid, șurubul de reglare trebuie să fie bine înșurubat

- verificați ca, rotind rapid robinetul de la poziția maxim la minim, arzătoarele să nu se stingă

a) Reglarea aerului la arzătoare :

Arzătoarele nu necesită un reglaj al aerului.

Adaptarea cuptorului pe gaz la diferite tipuri de gaz

b) Înlocuiți duza arzătorului cuptorului astfel :

- înlăturați sertarul de depozitare

- Îndepărtați sertarul de protecție „A„ (fig. C)
- Îndepărtați arzătorul cuptorului “ V ” după ce ați îndepărtat în prealabil șuruburile (fig. D) ; operația este facilitată prin înlăturarea ușii cuptorului
- scoateți duza arzătorului și înlocuiți-o cu alta adecvată noului tip de gaz.; pentru aceasta operație vă puteți servi de o cheie specială de 7 mm (vezi tabelul 1)

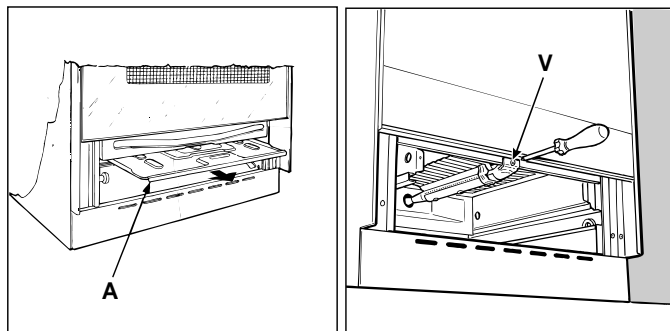


Fig. C

Fig. D

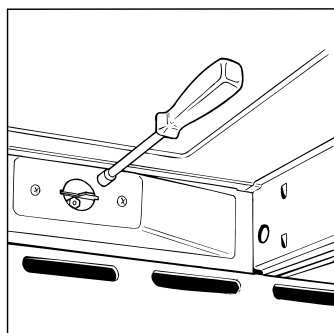
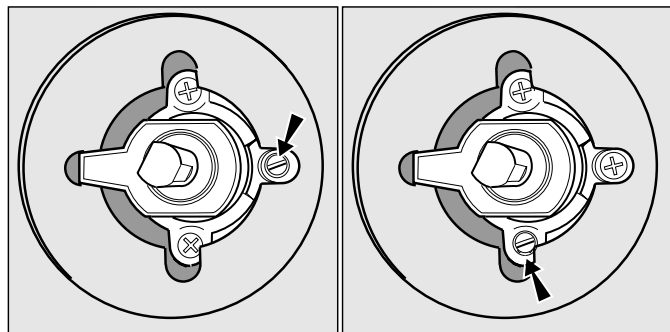


Fig.E

- Reglarea la minim a arzătorului cuptorului pe gaz cu termostat (a se vedea figura)
- aprindeți arzătorul conform descrierii din paragraful “ butonul de reglare al cuptorului ” din prezentul manual de instrucțiuni
 - fixați butonul de reglare pe poziția “ **Min** ” după ce a fost timp de 10 min. pe poziția “ **Max** ”
 - îndepărtați butonul de reglare
 - reglați șurubul poziționat în afara termostatului până când veți obține o flacără mică, dar stabilă.
 - N.B : în cazul gazelor lichide, șurubul de reglare va trebui înșurubat până la fund



Verificați ca flacăra arzătoarelor să nu se stingă atunci când rotiți rapid butonul de reglare de la poziția “ **Max** ” la poziția “ **Min** ” sau atunci când deschideți/închideți ușa cuptorului foarte rapid.

Adaptarea grilului pe gaz la diferite tipuri de gaz

- Înlocuirea duzei arzătorului de la grill:
 - înlăturați șurubul și apoi trageți afară arzătorul “ V ” al

- grilului (vezi fig. F)
- scoateți duza arzătorului și înlocuiți-o cu alta adecvată noului tip de gaz.; pentru aceasta operație vă puteți servi de o cheie specială pentru duze (vezi fig G)

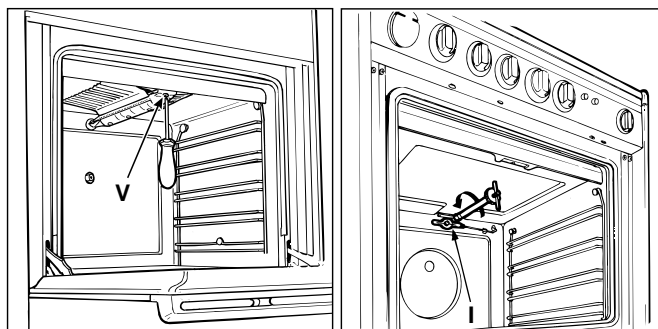


Fig. F

Fig. G

IMPORTANT

La terminarea operației de adaptare a aragazului la un alt tip de gaz trebuie să înlocuiți sticker-ul cu unul nou care să indice noul tip de gaz utilizat. Acest sticker este disponibil la Centrul de Service autorizat de Merloni Elettrodomestici

Dacă presiunea gazului măsurată la ieșirea din țeava de alimentare cu gaz variază peste limitele admise și menționate în tabelul de mai jos (este mai mică de 17 mbar sau mai mare de 25 mbar pentru gazul metan), trebuie să vă instalați un regulator de presiune la țeava de alimentare cu gaz.

Caracteristici ale arzătoarelor ei duzelor

Tabel 1

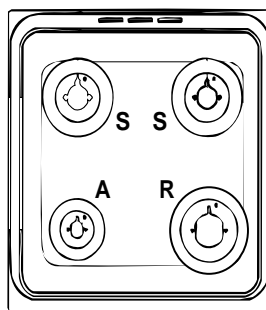
Tipul arzătorului	Diametru (mm)	Putere termică kW		Gaz Lichid				Gaz natural	
		Nominală	Redusă	By-Pass 1/100 (mm)	Furtun 1/100 (mm)	Debit* g/h		Furtun 1/100 (mm)	Debit* l/h
						***	**		
Rapid (Mare)R	100	3.00	0.7	41	87	218	214	128	286
Semi Rapid (Medium) S	75	1.90	0.4	30	70	138	136	104	181
Auxiliar (Mic)A	51	1.00	0.4	30	52	73	71	76	95
Cuptor	-	3.10	1.0	46	85	225	221	132	295
Grill	-	2.50	-	-	80	182	179	122	238
Presiune furnizată	Nominală (mbar)					28-30	37	20	
	Minimă (mbar)					20	25	17	
	Maximă (mbar)					35	45	25	

* La 15°C și 1013 mbar – gaz uscat

** Propan P.C.S. = 50,37 MJ/kg

*** Butan P.C.S. = 49,47 MJ/kg

Natural P.C.S. = 37,78 MJ/m³



K1G21/R
K1G21S/R

Caracteristici tehnice

Cuptorul :

Dimensiuni (Înălțime x Lățime x Profunzime) : 34x39x38
Volum: 50 lt

Dimensiuni interne ale sertarului pentru depozitare :

Lungime : 42 cm
Adâncime : 44 cm
Înălțime : 17 cm

Tensiunea și frecvența sursei de alimentare cu energie electrică

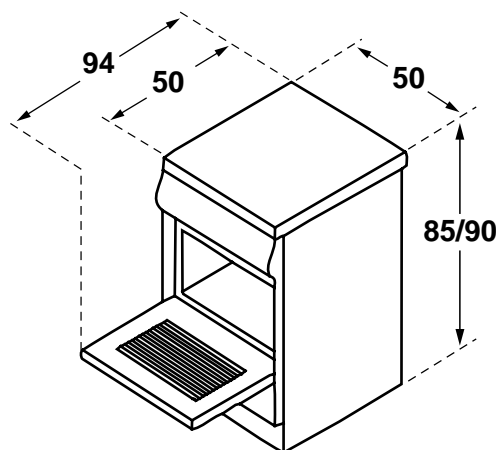
vezi eticheta

Arzătoare :

Adaptate a se folosi la tipurile de gaz indicate pe plăcuța din partea inferioară, partea stângă

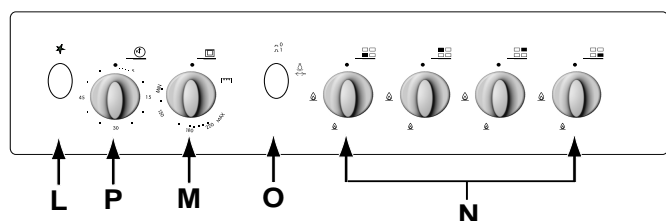
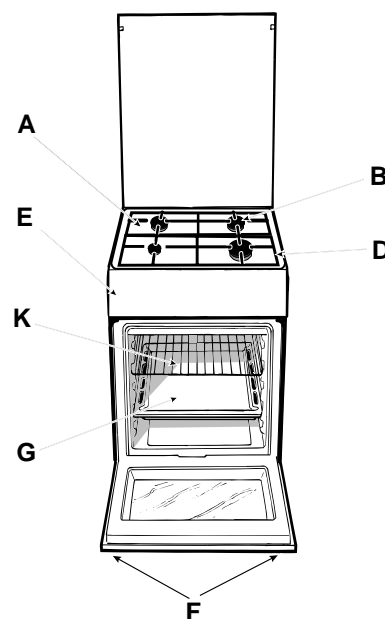
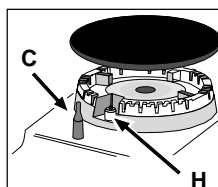
Acest aragaz este produs în conformitate cu următoarele directive ale Comunității Economice Europene :

- 73/23/EEC din 19/02/73 (Tensiune scăzută) și cele adiționale acesteia ;
- 89/336/EEC din 03/05/89 (Compatibilitate Electromagnetică) și cele adiționale acesteia ;
- 90/396/EEC din 29/06/90 (Gaz) și cele adiționale acesteia ;
- 93/68/EEC din 22/07/93 și cele adiționale acesteia.



Aragazul cu cuptor pe gaz

- A Plită
- B Arzătoare pe gaz
- C Dispozitiv de siguranță împotriva accidentelor provocate de scurgerea gazului
- D Grătare plită
- E Panou frontal de control
- F Picioare reglabile
- G Tavă de coacere
- H Dispozitiv pentru aprindere electronică
- K Grătarul cuptorului
- L Buton pentru activarea aprinderii electronice (disponibil doar la anumite modele)
- M Buton de comandă pentru cuptor și grill
- N Butoane de comandă pentru arzătoarele plitei
- O Buton pentru activarea luminii din cuptor (prezent doar la anumite modele)
- P Timer pentru sfârșitul programului de coacere (disponibil doar pentru anumite modele)



Diferite funcții ale cuptorului

Selecția anumitor funcții prezente la cuptor se realizează prin acționarea butoanelor de comandă poziționate pe panoul frontal.

Operarea butoanelor de comandă ale arzătoarelor pe gaz ale plitei (N)

Poziția arzătorului pe gaz în raport cu oricare dintre butoanele indicate este însemnată printr-un cerc plin •. Pentru aprinderea unuia dintre arzătoare, apropiați-vă cu o flacără sau cu un aprinzător, apăsați puternic butonul corespondent în sens invers acelor de ceasornic până ajungeți în poziția maximă 🔴. Fiecare arzător poate funcționa la putere maximă, minimă sau intermediară. Pentru fiecare buton de reglare, în afară de poziția: „Oprit”, însemnată prin simbolul • sunt indicate pozițiile: **maxim** 🔴 și **minim** 🔵.

Acestea se obțin prin rotirea butonului în sens invers acelor de ceasornic de la poziția „Oprit”. Pentru stingerea arzătorului trebuie rotit butonul în sensul acelor de ceasornic până se oprește.

Aprindere electronică a arzătoarelor de la plită

Anumite modele sunt prevăzute cu o aprindere electronică a arzătoarelor pe gaz ale plitei; acestea se pot recunoaște

prin prezența unui dispozitiv special de aprindere (vezi detaliul identificat prin litera H). Acest dispozitiv intră în funcțiune prin exercitarea unei mici presiuni asupra butonului „L” identificat prin simbolul ★. Pentru aprinderea arzătorului ales este suficient să se apese butonul „L” în timp ce se rotește butonul de reglare în sens invers acelor de ceasornic până obținem această aprindere. **Pentru o aprindere imediată, este necesar să acționăm mai întâi asupra butonului „L” după care să rotim butonul de reglare.**

Unele modele sunt echipate cu un dispozitiv pentru aprinderea electronică automată, încorporat în butonul de control al arzătorului. În acest caz, aprinzătorul (H) este prezent dar nu și butonul „L” (simbolul ★ este localizat lângă fiecare buton de control). Pentru a aprinde un arzător trebuie doar să apăsați până la capăt butonul de control corespunzător arzătorului respectiv și să-l rotiți spre stânga, în sens invers acelor de ceasornic, până la poziția „Maxim” până când se aprinde flacăra.

Important: În cazul unei stingeri accidentale a flăcării arzătorului, închideți butonul de comandă și nu-l

reaprindeți decât după cel puțin 1 minut.

Modelele prevzute cu dispozitive de siguranță împotriva scurgerilor de gaz

Aceste modele pot fi identificate foarte ușor prin prezența dispozitivului de siguranță (vezi detaliul C).

Important: Având în vedere faptul că arzătoarele sunt prevăzute cu un dispozitiv de siguranță, după aprinderea arzătorului este necesar să menținem apăsat butonul de reglare pentru aproximativ 6 secunde deoarece este necesar ca termocuplul să se încălzească suficient de tare.

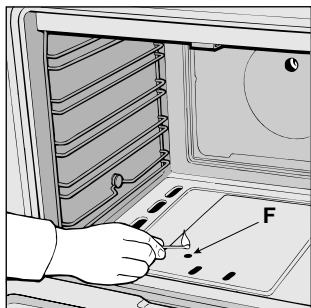
Atenție: Înainte de utilizarea cuptorului pentru prima dată este bine să-l lăsați să funcționeze pentru aproximativ 30 de minute cu termostatul la maxim, cu ușa deschisă și bucătăria bine ventilată. Mirosul care se împrăștie uneori la o astfel de operație se datorează evaporării substanțelor utilizate pentru protejarea cuptorului și a grilului în perioada care trece de la producția aragazului la punerea sa în funcțiune.

Atenție: Utilizați partea de jos a cuptorului doar în cazul în care utilizați rotisorul (la modelele unde este prezent). La celelalte modele nu utilizați niciodată compartimentul de jos și nu lăsați niciodată obiecte pe fundul cuptorului în timp ce coaceți pentru că puteți produce daune parților emailate. Plasați vasele sau tăvile doar pe grătarele existente în dotarea aragazului.

Butonul de reglare a cuptorului și a grill-ului (M)

Este un dispozitiv care permite selecționarea diferitelor funcții ale cuptorului și alegerea temperaturii de coacere adecvată, în conformitate cu indicațiile înscrise pe butonul de reglare (cuprinse între **Min** și **Max**)

Pentru aprinderea arzătorului cuptorului, apropiați-vă cu o flacăra de gaură „F” și, în același timp, împingeți și rotiți butonul de reglare a cuptorului în sens invers acelor de ceasornic până la poziția „Max”.



Dat fiind faptul că aragazul este prevăzut cu un dispozitiv de siguranță împotriva scurgerilor de gaz, este necesar să menținem apăsat butonul de reglare timp de aproximativ 6 secunde .

Alegerea temperaturii de coacere se obține poziționând indicatorul de pe buton în dreptul valorilor înscrise pe panoul frontal de comandă. Temperaturile care pot fi selectate sunt următoarele:

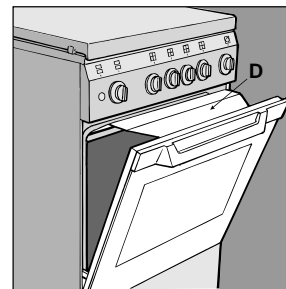
Temperatura selectată este menținută constant de către termostat

Min • 150 • 180 • 220 Max

Apăsăți butonul „M” la maximum și rotiți-l până în dreptul poziției |▽▽▽| pentru a porni grill-ul. Grill-ul coace prin emiterea de raze infraroșii, făcând astfel posibilă rumenirea perfectă a alimentelor. Este de asemenea recomandat pentru gătitul cârnaților, a fripturilor, etc.


Important: în cazul unei stingeri accidentale a flăcării arzătorului, închideți butonul de comandă și nu-l reaprindeți decât după cel puțin 1 minut.

Important: atunci când utilizați grill-ul, ușa cuptorului trebuie lăsată întredeschisă prin poziționarea dispozitivului special „D” între aceasta și panoul frontal. Această operațiune este necesară pentru a împiedica supraîncălzirea butoanelor situate pe panoul frontal.



Atenție: Nu permiteți copiilor să se apropie de ușa cuptorului în timpul funcționării acestuia deoarece este foarte fierbinte.

Butonul de activare a luminii din cuptor (O)

Acest buton este marcat prin simbolul  și activează lumina din cuptor astfel încât să puteți vizualiza în permanență procesul de coacere fără să deschideți ușa cuptorului.

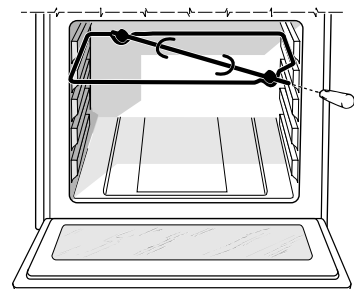
Butonul de reglare a timpului de coacere (doar la anumite modele)

Pentru a utiliza această funcție trebuie să răsuciți butonul „P” până la capăt în sensul acelor de ceasornic. După aceea, pentru a regla timpul de coacere dorit, întoarceți acest buton în sens invers acelor de ceasornic până când durata reziduală (în minute) de pe butonul de reglare (P) coincide cu semnul situat pe panoul frontal de control.

Rotisorul

Pentru activarea lui, procedați în felul următor:

- poziționați tava de colectare a grăsimilor pe nivelul 1
- introduceți dispozitivul special de susținere a rotisorului la cel de-al 4-lea nivel și poziționați frigeara introducând-o, prin intermediul deschizăturii speciale, în rotisorul poziționat în spatele cuptorului
- activați rotisorul prin apăsarea butonului „O”



Sfaturi practice pentru utilizarea arzătoarelor

Pentru a obține un randament maxim este necesar să urmați aceste sfaturi:

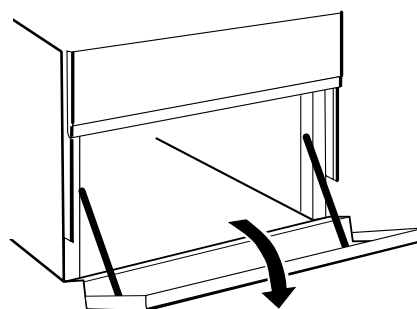
- să utilizați recipiente adecvate fiecărui arzător (a se vedea tabelul) pentru ca flacăra să nu depășească marginile acestor recipiente
- utilizați doar recipiente cu fundul plat
- în momentul fierberii, rotiți butonul de reglare până la poziția „Min”
- utilizați doar recipiente cu capac

Arzător	∅ Diametru recipienti (cm)
Rapid (R)	24 – 26
Semi Rapid (S)	16 – 20
Auxiliar (A)	10 – 14

Depozitarea recipientelor sub compartimentul cuptorului

Se poate face în compartimentul special situat sub cuptor. Acest compartiment se poate utiliza pentru depozitarea tigăilor, a oalelor sau pentru alte accesorii de gătit. Mai mult, în timpul operațiunii de coacere, acest compartiment poate fi folosit pentru menținerea alimentelor gătite calde. Pentru a putea utiliza acest compartiment trebuie să trageți marginea superioară a ușii înspre dumneavoastră.

Precuție: nu depozitați materiale inflamabile în acest compartiment



Sfaturi practice pentru reușita rețetelor preferate

Cuptorul oferă o gamă largă de posibilități care vă permit să gătiți orice tip de mâncare conform celei mai potrivite metode. Cu timpul veți găsi cele mai bune soluții pentru fiecare rețetă, aceste sfaturi fiind doar orientative și putând fi adaptate în funcție de experiența personală a fiecăruia.

Coacerea dulciurilor

Cuptorul trebuie ușor încălzit înainte de coacerea dulciurilor. Așteptați întotdeauna sfârșitul fazei de preîncălzire (aproximativ 10-15 min). Temperaturile de coacere normale pentru dulciuri sunt în jur de 160°C/200°C. Nu deschideți ușa în timpul coacerii pentru evitarea descreșterea aluatului. În general, urmați sfaturile de mai jos:

Dulciuri prea uscate

Data viitoare fixați o temperatură cu 10 °C superioară și reduceți timpul de coacere.

Dulciuri care descresc

Folosiți mai puțin lichid sau micșorați temperatura cu 10 °C

Dulciuri închise la culoare în partea superioară

Introduceți-l la un nivel inferior, fixați o temperatură mai joasă și prelungiți timpul de coacere.

Bună coacere exterioară însă interiorul este crud

Folosiți mai puțin lichid, reduceți temperatura, măriți timpul de coacere.

Dulciurile nu se dezlipesc de pe tavă

Ungeți bine tava și adăugați și un strat de făină.

Coacerea pectelui și a crnii

Pentru a evita uscarea excesivă a cărnii, gătiți bucăți de câte 1 kg. Când gătiți mai multă carne, pasăre sau pește, gătiți la o temperatură scăzută (150-170 °C) Pentru carnea roșie care trebuie să fie bine coaptă pe dinafară și suculentă în interior, ridicați pentru un scurt timp temperatura până la 200-220 °C, după care reveniți la temperatura inițială. Cu cât bucata este mai mare cu atât temperatura trebuie să fie mai scăzută și durata de preparare mai lungă. Plasați bucata în centrul grătarului și puneți dedesubt o tăviță pentru a colecta scurgerile de grăsime. Dacă doriți mai multă căldură dedesubt, utilizați rafturile inferioare. Pentru a obține fripturi gustoase, ungeți bucata de carne cu felii de slănină și poziționați-o în partea superioară.

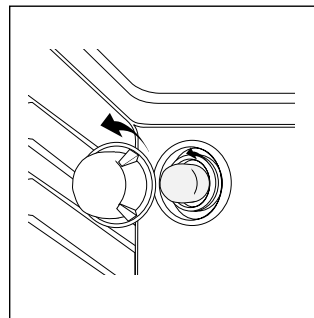
Înainte de a iniția orice operație, deconectați-l de la sursa electrică. O curățare generală se obține astfel:

- Suprafețele emailate se spală cu apă caldă fără a folosi prafuri abrazive și substanțe corozive care le-ar putea deteriora
- interiorul cuptorului se va curăța, frecvent, când încă este cald, folosindu-se apă caldă și detergent, clătindu-l și uscându-l în mod îngrijit.
- Arzătoarele trebuie spălate frecvent cu apă caldă și detergent îngrijindu-ne să eliminăm crustele. La aragazurile prevăzute cu aprindere automată, e nevoie de o curățare a dispozitivelor de aprindere instantanee electronice.
- Suprafețele din inox pot rămâne marcate dacă au intrat în contact cu apa foarte caldă sau cu detergenții agresivi (care conțin fosfor). După efectuarea operației de curățare trebuie clătite cu apă din abundență și uscate.
- La modelele echipate cu capac de cristal curățarea se face cu apă caldă evitând intervenția substanțelor abrazive.
- Nu închideți capacul până ce arzătoarele nu au fost stinse.

Important: controlați periodic starea de conservare a conexiunii la gaz sau înlocuiți-l în momentul apariției anomaliilor. Se recomandă înlocuirea anuală.

Înlocuirea lămpii cuptorului

- Întrerupeți alimentarea cu curent electric
- Înlăturați capacul
- Scoateți lampa și înlocuiți-o cu una rezistentă la temperatură mare (300 °C) având aceste caracteristici:
Tensiune: 230 V
Putere: 25 W
Tip E 14
- Remontați capacul și reasigurați alimentarea cuptorului cu energie electrică.



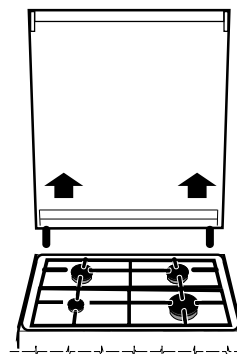
Ungerea robinetelor

Se recomandă în cazul blocării sau atunci când operarea lor este îngreunată.

N.B. Această operație trebuie efectuată de către personalul calificat.

Scoaterea capacului

Capacul aragazului poate fi înlăturat în vederea înlesnirii operației de curățare. În acest scop, este necesar să fie deschis complet și ridicat (a se vedea figura)



Sfaturi practice pentru reueita reueteleor preferate

Alimentul de copt	Greutate (kg)	Poziția pe raftul cuptorului (calculată de la partea inferioară)	Temperatura (°C)	Timpu de preîncălzire (min)	Timpu de coacere (min)
Paste					
Lasagna	2.5	3	210	10	60-75
Cannelloni	2.5	3	200	10	40-50
Paste gratinate	2.5	3	200	10	40-50
Carne					
Vițel	1.7	3	200	10	85-90
Pui	1.5	3	220	10	90-100
Rață	1.8	3	200	10	100-110
Iepure	2.0	3	200	10	70-80
Porc	2.1	3	200	10	70-80
Miel	1.8	3	200	10	90-95
Pește					
Scrumbie	1.1	3	180-200	10	35-40
Specie de pește marin	1.5	3	180-200	10	40-50
Păstrăv	1.0	3	180-200	10	40-45
Pizza					
Napoletana	1.0	3	220	15	15-20
Prăjituri					
Biscuiți	0.5	3	180	15	30-35
Prăjitură cu marmeladă	1.1	3	180	15	30-35
Turtă de salată	1.0	3	180	15	45-50
Turte crescute	1.0	3	165	15	35-40
Coacere cu grill					
Bistec de vițel	1	4		5	15-20
Cotlet	1,5	4		5	20
Hamburger	1	3		5	7
Scrumbie	1	4		5	15-20
Coacere grill cu rotisor					
Vițel fript	1	-		5	70-80
Pui fript	2	-		5	70-80
Coacere grill cu shashlik (doar anumite modele)					
Frigărui din carne	1,0	-		5	40-45
Frigărui cu legume	0,8	-		5	25-30

N.B: Timpii de coacere sunt orientativi și pot fi modificați în concordanță cu gusturile personale. Referitor la coacerea pe grill, vasul va fi așezat întotdeauna pe primul nivel începând de jos.

Indesit Company
viale Aristide Merloni, 47
60044 Fabriano (AN) Italy
tel. +39 0732 6611
www.indesit.com

Cucina con forno gas e grill gas (Russia)
03/05 - 195048025.00

Free Manuals Download Website

<http://myh66.com>

<http://usermanuals.us>

<http://www.somanuals.com>

<http://www.4manuals.cc>

<http://www.manual-lib.com>

<http://www.404manual.com>

<http://www.luxmanual.com>

<http://aubethermostatmanual.com>

Golf course search by state

<http://golfingnear.com>

Email search by domain

<http://emailbydomain.com>

Auto manuals search

<http://auto.somanuals.com>

TV manuals search

<http://tv.somanuals.com>