

Dishwasher

DG 5100 WG

Instructions for installation and use

Merloni Elettrodomestici spa

Viale Aristide Merloni, 45
60044 Fabriano/Italia
Tel. (0732) 6011

11/94 - Cod. 195008293.00 - ALZANI s.a.s. - PINEROLO - TO - (ITALY)



Description of the dishwasher

(See figure in the brochure at the back of the manual)

- A "Start-stop" button
- B On/Off light
- C Door handle
- D Programme knob
- E Top basket
- F Upper spray arm
- G Basket height adjustment
- H Bottom basket
- I Lower spray arm
- J Salt dispenser
- K Wash filter
- L Detergent and rinse aid dispenser
- M Conical spout

technical characteristics

Width	cm 60
Depth	cm 60
Height	cm 85
Capacity	12 standard place settings
Mains water pressure	2-100 N/cm ²
Power voltage	see data plate
Total absorbed power	see data plate
Fuse	see data plate

This appliance complies with E.E.C. regulation 87/308 dated 2.6.87 (approved with M.D. dated 13.4.89) on the prevention and elimination of radio interference.

Installation

Positioning your appliance

Position the Dishwasher. The sides or back of the machine may touch the wall or furniture. The water supply and drain pipes can be positioned to the right or to the left, as required.

Levelling your appliance

Once the machine has been positioned, adjust the feet in order to level the machine if necessary. The Dishwasher should never be inclined more than 2°.

Proper levelling will ensure the best performance of your Dishwasher.

Connecting the cold water

Connect the water input pipe to a cold water inlet with 3/4 gas threaded inlet, installing the filter supplied with the Dishwasher between these, screwing it firmly to the tap (fig. 1).

If the piping is new or has not been used for some time, allow the water to run until it is clear. Failure to do so may result in clogging which could damage your Dishwasher.

Connecting the hot water

The Dishwasher may be supplied with hot water from the mains (central system or central heating) provided the temperature does not exceed 60°C.

In this case the washing time will be some 15 minutes shorter and washing efficiency slightly reduced.

To connect the hot water follow the instructions provided for the cold water connection.

Connecting the drain pipe

Connect the drain pipe to a drain duct with a diameter of at least 4 cm or hook the pipe on the edge of the sink using the plastic elbow supplied (Fig.2), ensuring that the pipe is not bent or twisted.

The free end should be placed at a height of between **40** and **100** cm and always above the water level.

Precautions and recommendations

- *Never overload the Dishwasher: always arrange the crockery correctly in the baskets to ensure best washing result.*
- *When you have loaded the baskets, check that the sprayers rotate freely.*
- *Before washing items in your Dishwasher, check that they are dishwasher proof.*
- *Never open the door during the wash cycle.*
- *Leave the door ajar at the end of the was cycle; the gaskets will last longer.*
- *If your appliance is not to be used for some time, unplug the Dishwasher from the mains, turn off the water tap and leave the door ajar to prevent unpleasant odours.*

This appliance was designed as a home Dishwasher in compliance with C.E.I. safety regulations. Any other use is improper and therefore dangerous. The manufacturer declines all liability for damage due to improper, incorrect or negligent use.

When using any electrical appliance remember to take the following fundamental precautions:

- *never touch the appliance with damp hands;*
 - *never use the appliance bare-footed;*
 - *do not pull the power supply cable or the appliance to unplug the Dishwasher from the mains socket;*
 - *do not leave the appliance exposed to atmospheric agents (rain, sun etc.);*
 - *do not allow children or inexperienced persons to use the appliance without supervision;*
 - *in the case of carpeted flooring, ensure that ventilation in the area on which the appliance is placed, is not obstructed;*
 - *The appliance should be installed according to the manufacturer's instructions by a qualified technician.*
- The manufacturer declines all liability for damage to persons, property or animals due to improper installation.*

Maintenance

Always unplug the appliance from the mains and turn off the water tap before carrying out any maintenance operations.

Cleaning the filtering unit (figs. 10, 11, 12 and 13)

Check the filtering unit after each wash and remove any residue from the filter

Remember to clean the filtering unit at least once a week.

Turn the handle anti-clockwise to remove filter "A". To remove the filtering unit "B", turn the filter handle anti-clockwise to the end and then slide out the micro filter "C".

Clean the semicircular filter and the micro filter with a brush under running water. Remount the unit with the filter remembering to fit the micro filter correctly with the tabs turned downwards.

Place the filter unit in its housing and fix the unit by turning the filter handle clockwise.

Failure to clean the filtering unit or improper replacement will reduce washing efficiency and may damage your appliance.

Cleaning the external panels of your appliance

Wipe the external panels with a damp cloth. Never use abrasive detergents or solvents.

Remove stains from the Dishwasher surface with a cloth soaked in a little vinegar.

Cleaning the mains water filter

Remember to clean the water supply filter "A" (Fig. 1) positioned at the tap outlet, periodically.

Turn off the tap and unscrew the end of the water supply pipe. Remove the filter and clean it carefully under running water; replace the filter and screw the pipe securely.

Electrical connection

If your appliance is supplied with a 13 amp fused plug it can be plugged into a 13 amp socket for immediate use. Before using the appliance please read the instructions below.

WARNING - THIS APPLIANCE MUST BE EARTHED.

THE FOLLOWING OPERATIONS SHOULD BE CARRIED OUT BY A QUALIFIED ELECTRICIAN.

Replacing the fuse:

When replacing a faulty fuse, a 13 amp ASTA approved fuse to BS 1362 should always be used, and the fuse cover re-fitted. If the fuse cover is lost, the plug must not be used until a replacement is obtained.

Replacement fuse covers:

If a replacement fuse cover is fitted, it must be of the correct colour as indicated by the coloured marking or the colour that is embossed in words on the base of the plug. Replacements can be obtained directly from your nearest Service Depot.

Removing the plug:

If your appliance has a non-rewireable moulded plug and you should wish to remove it to re-route the mains cable through partitions, units etc., please ensure that either:

- the plug is replaced by a fused 13 amp re-wireable plug bearing the BSI mark of approval
- or:
- the mains cable is wired directly into a 13 amp cable outlet, controlled by a switch, (in compliance with BS 5733) which is accessible without moving the appliance.

Disposing of the plug:

Ensure that before disposing of the plug itself, you make the pins unusable so that it cannot be accidentally inserted into a socket.

Instructions for connecting cable to an alternative plug:

Important: the wires in the mains lead are coloured in accordance with the following code:

Green & Yellow	- Earth
Blue	- Neutral
Brown	- Live

As the colours of the wires in the mains lead may not correspond with the coloured markings identifying the terminals in your plug, proceed as follows:
Connect Green & Yellow wire to terminal marked "E" or or coloured Green or Green & Yellow.

Connect Brown wire to terminal marked "L" or coloured Red.

Connect Blue wire to terminal marked "N" or coloured Black.

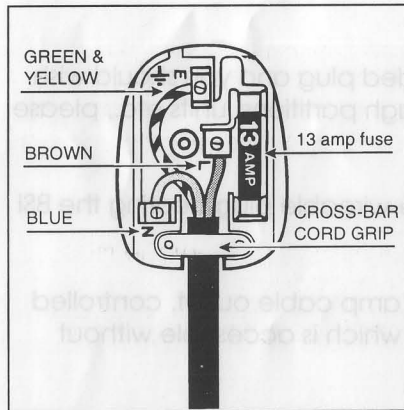
If a 13 amp plug (BS 1363) is used it must be fitted with a 13 amp fuse. A 15 amp plug must be protected by a 15 amp fuse, either in the plug or adaptor or at the distribution board.

If you are in any doubt about the electrical supply to your machine, consult a qualified electrician before use.

How to connect an alternative plug:

The wires in this mains lead are coloured in accordance with the following code:

BLUE	"NEUTRAL" ("N")
BROWN	"LIVE" ("L")
GREEN AND YELLOW	"EARTH" ("E")



Disposing of the appliance:

When disposing of the appliance please remove the plug by cutting the mains cable as close as possible to the plug body and dispose of it as described above.

Programme Guide

Programme	Button ON/OFF	Guide to selecting the programmes	Description of the cycle	Detergent and rinse aid		
				Pre-wash. (g)	Wash (g)	Rinse aid
1 Strong Wash	•	Very soiled crockery, pots and pans (do not use for fragile items)	Prewash with hot water Long wash cycle at 65°C 2 Cold rinses Hot rinse at 70°C Drying cycle	10	25	•
2 Normal Wash	•	Normally soiled pots and pans. Cycle for daily use.	Prewash with cold water Long wash at 65°C 2 Cold rinses Hot rinse at 70°C Drying cycle		25	•
3 Short wash	•	Normally soiled crockery, pots and pans with no dry food residues.	Long wash at 65°C 2 Cold rinses Hot rinse at 70°C Drying cycle		25	•
4 Rinse cycles	•	For rinsing and drying crockery only	2 Cold rinses Hot rinse at 70°C Drying cycle			•
5 Rapid wash	•	Rapid cycle for washing slightly soiled crockery immediately after use, with no drying cycle. Max. load 6 place settings.	Wash at 65°C Cold rinse		15	
6 Soak cycle	•	Preliminary wash for crockery, pots and pans before completing the load with items from the next meal.	Short cold wash to prevent food from drying on crockery.			

Starting your appliance

After completing the above steps, **turn on the water tap completely** and press the **"start-stop"** button (power led on).

Your Dishwasher now will now carry out the wash cycle you have set.

The machine stops automatically at the end of the wash cycle, but the power led remains on.

Press the **"start-stop"** button to switch off.

Instructions for use

Water softener (fig. 3)

Your dishwasher has a water softener which removes calcium and magnesium salts, which leave mineral deposits on dishes and the interior of the dishwasher.

This water conditioner contains ion exchange resins which require reactivation with dishwasher salt .

If you run out of dishwasher salt unexpectedly you may use coarse kitchen salt provided it does not contain calcium binding agents.

Never use any other product. Place the salt in the salt dispenser located on the bottom of the dishwasher drum (Fig.3).

Before installing a new appliance, follow these steps:

- turn cap "J" anti-clockwise;
- place the funnel over the hole and fill the dispenser with salt (approx. 2 kg);
- fill the dispenser with water until it overflows

Top up the salt every 30 cycles as described above: continue filling even if the water overflows.

Loading and arranging crockery and cutlery in your appliance

Preliminary precautions:

- Remove the larger pieces of leftovers and scraps to prevent the filter from clogging and the formation of unpleasant odours.
- Allow pots and pans with burnt scraps to soak before washing

Using the bottom basket (fig. 4 and 5)

Place very soiled dishes in the bottom basket where the water jet of the bottom sprayer is very strong.

Use the bottom basket for plates, soup plates, dessert plates, pots and pans, lids and serving dishes.

Place soup and dessert plates on the rack remembering to leave some space between one plate and another. Plates should always be positioned upright to allow the water to circulate freely. Pots and pans should always be turned upside down.

Thanks to the removable rear plate rack you may load your Dishwasher as

you prefer remembering that the soiled surface of dishes, pots and pans must face the water jets from the bottom sprayers, allowing free water circulation.

- For best washing results, place cutlery with handles turned towards the bottom of the container.
The cutlery basket may be divided into two sections as shown in figure 14.

Using the top basket (fig.6)

Use the fully removable top basket for small and medium sized dishes like glasses, saucers, coffee and tea cups, shallow salad dishes and slightly soiled pots and pans.

Remember that plates should be positioned upright while pots and pans should be placed upside down.

Place fragile dishes between the ends of the supports to prevent them from moving.

Place soup plates and plates on the rack of the top basket with the face of the plate turned towards the front of the basket.

When loading the top basket remember not to block the conical spout "M" of the water supply to the top spray arm "F".

Your appliance has a device for adjusting the top basket into two positions. With the top basket in bottom position you will be able to load larger plates. To change the position of the top basket, follow the steps indicated in (fig. 7).

Detergent and rinse aid dispenser

The detergent and rinse aid dispenser is inside the door; the appliance is available with two different dispensers.

Filling the 1-compartment dispenser with detergent (fig. 8)

Press button "B" to open lid "A", and pour in the detergent (approx. 25g.). Press in the lid firmly to close. Pour the detergent for the prewash cycle (approx. 10g) into the opening on the dispenser lid.

Filling the 2-compartment dispenser with detergent (fig. 9)

Pull lid "A" upwards to open. Pour about 25 g. of detergent into large compartment "B" and press in the lid firmly to close. The small dispenser should be used only for prewash detergent (approx. 10g).

N.B.

Clean away detergent residues from the edges of the compartment to ensure that the dispenser lid closes properly.

Rinse aid and dosing

The hardness of the water affects not only the formation of limestone but the drying efficiency as well. It is therefore very important to dose the rinse aid correctly to ensure best washing results. If your crockery is stained after washing, reduce the setting by one position.

Increase the rinse aid only if strictly necessary. Excessive doses of rinse aid will produce suds and water leaks.

Filling the rinse aid dispenser (Fig. 8)

The rinse aid dispenser is on the right of the detergent dispenser. Press button "C" to open the lid and pour in the additive without overfilling. Press in the lid firmly to close.

This dose of rinse aid is sufficient for approximately 80 rinsing cycles.

Remember to check the level of display "D" which is positioned between the two lids, periodically.

On this dispenser the regulator "E" is positioned under the lid and can be adjusted easily with a finger. Position 2 is the recommended setting.

Filling the rinse aid dispenser (Fig. 9)

Open the dispenser by turning cap "C" anti-clockwise. Fill with rinse aid without overfilling

Screw in cap "C" firmly to close the dispenser. This dose of rinse aid is sufficient for approximately 80 rinsing cycles.

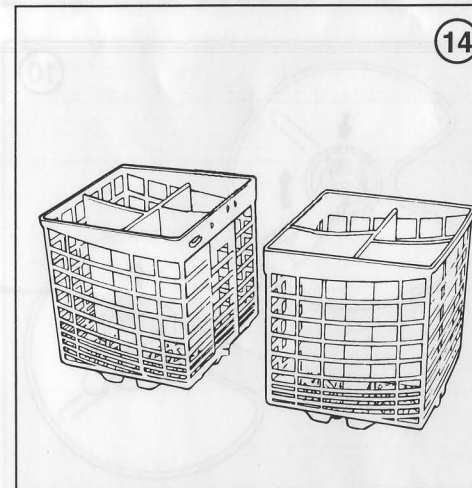
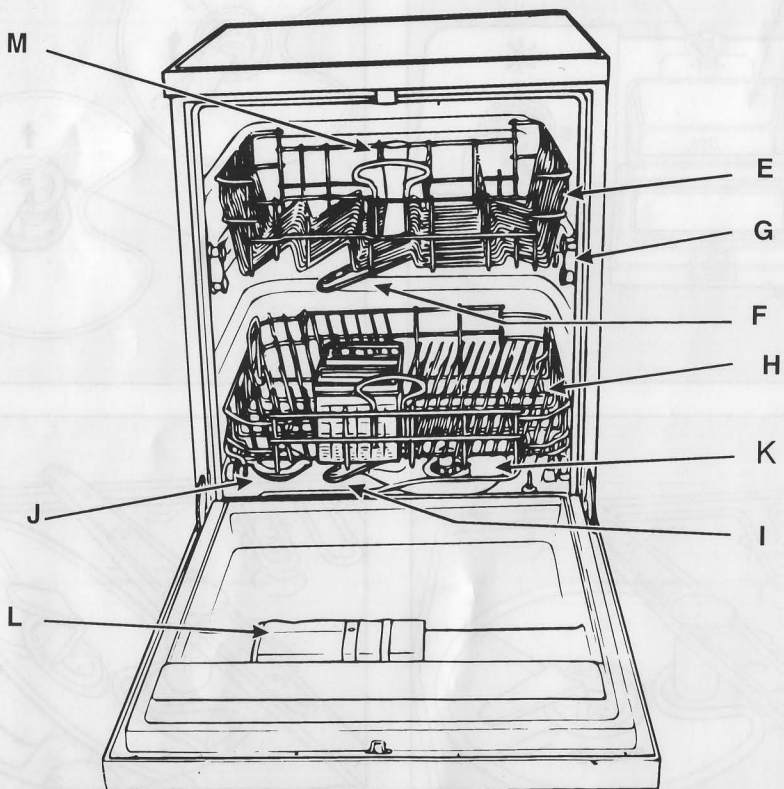
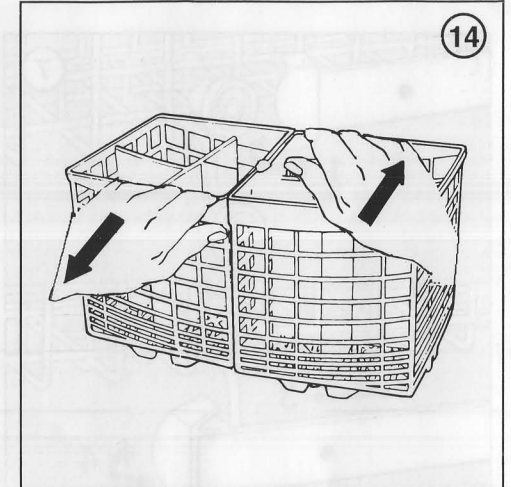
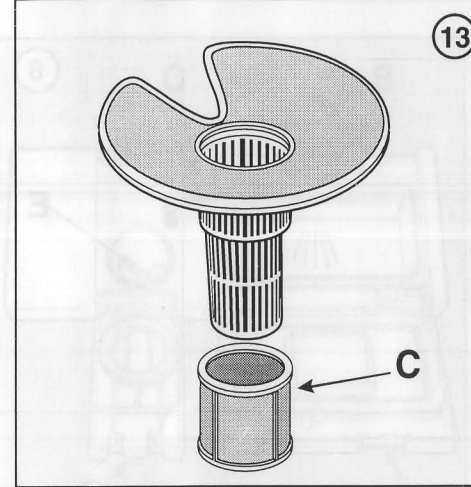
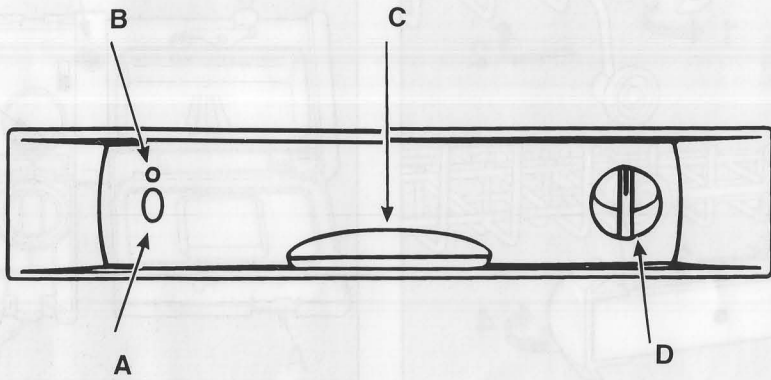
Remember to check the level of display "D" which is positioned at the centre of cap "C", periodically. On this type of dispenser the regulator "E" is positioned under lid "A" and can be adjusted easily with a screwdriver. Position 2 is the recommended setting.

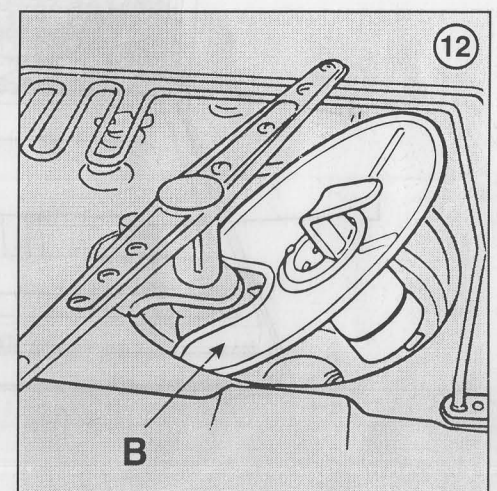
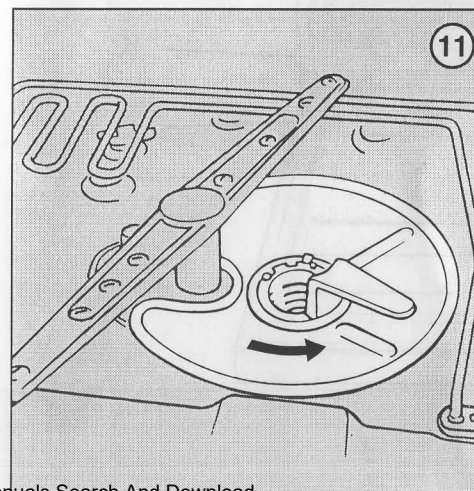
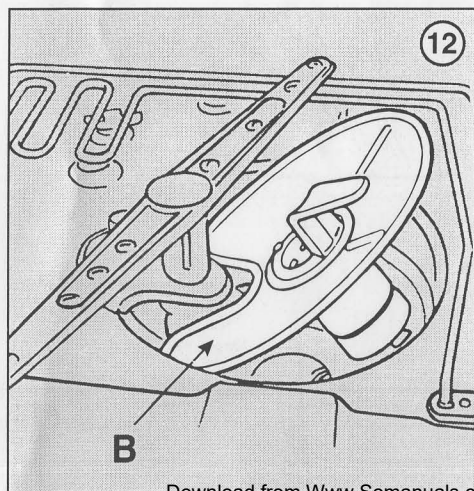
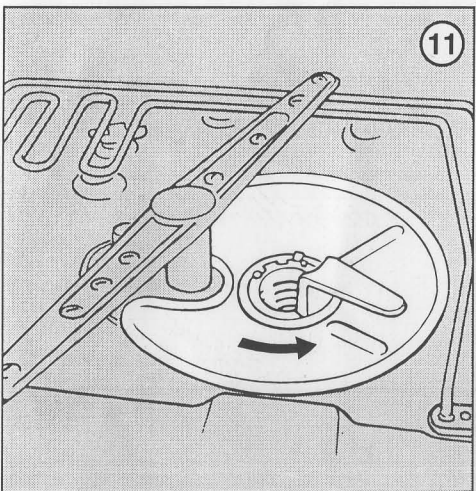
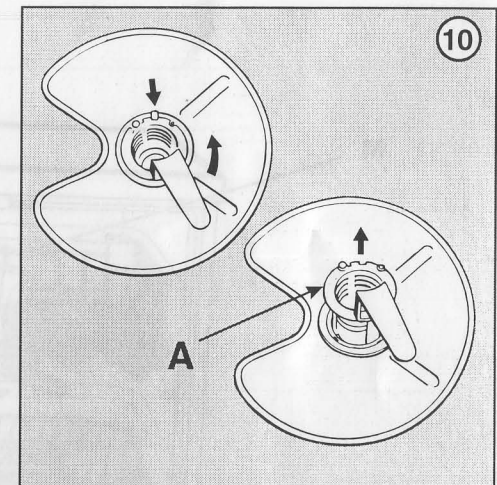
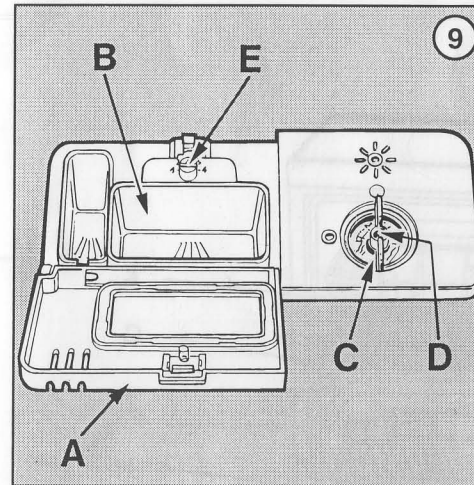
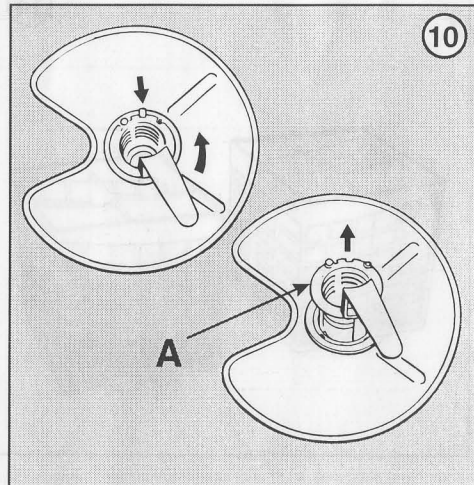
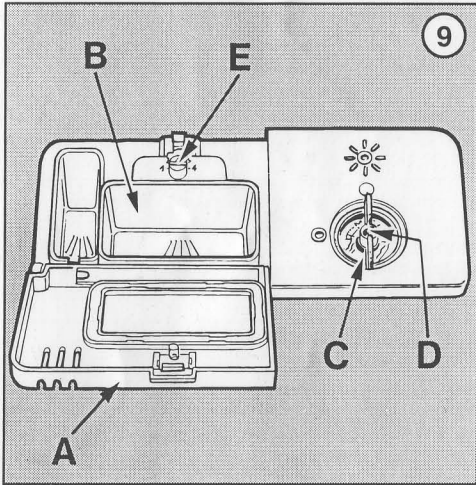
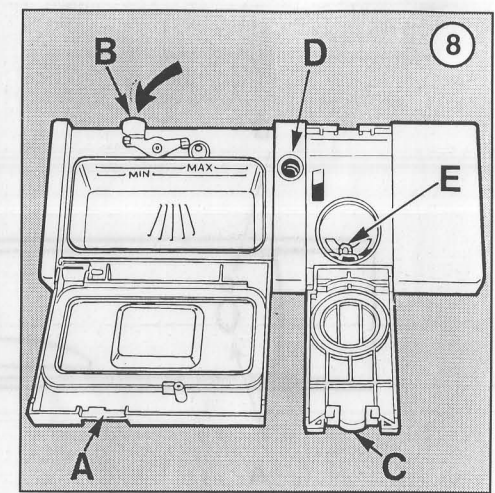
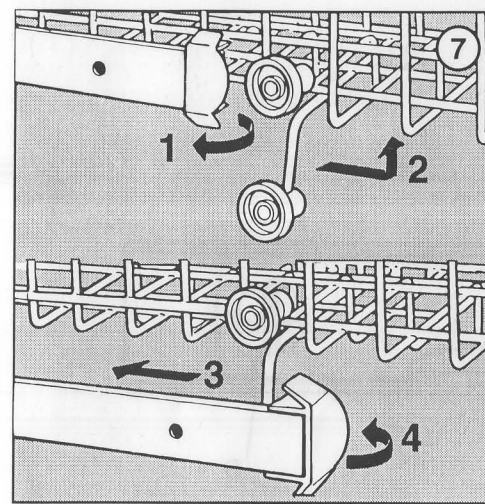
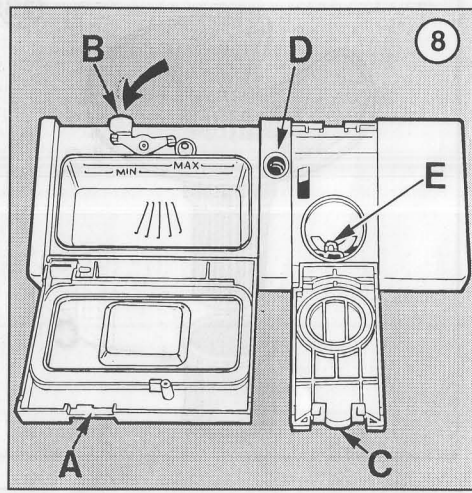
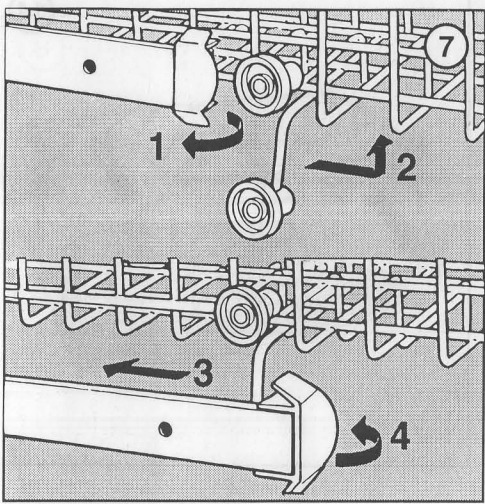
Setting the programme

The programme knob is on the right of the fascia.

To select the best wash programme **consult the wash programme guide in this owner's manual, especially when you are not familiar with the appliance.** The many wash programmes shown in the guide take into account the type of crockery, its mechanical and thermal resistance and degree of dirtiness.

Once you have selected the wash programme **set the programme by turning the knob until the programme number reaches the arrow.**





Free Manuals Download Website

<http://myh66.com>

<http://usermanuals.us>

<http://www.somanuals.com>

<http://www.4manuals.cc>

<http://www.manual-lib.com>

<http://www.404manual.com>

<http://www.luxmanual.com>

<http://aubethermostatmanual.com>

Golf course search by state

<http://golfingnear.com>

Email search by domain

<http://emailbydomain.com>

Auto manuals search

<http://auto.somanuals.com>

TV manuals search

<http://tv.somanuals.com>