

Washing machine

WN 1061 WR

WN 1062 WR

WN 1069 WG

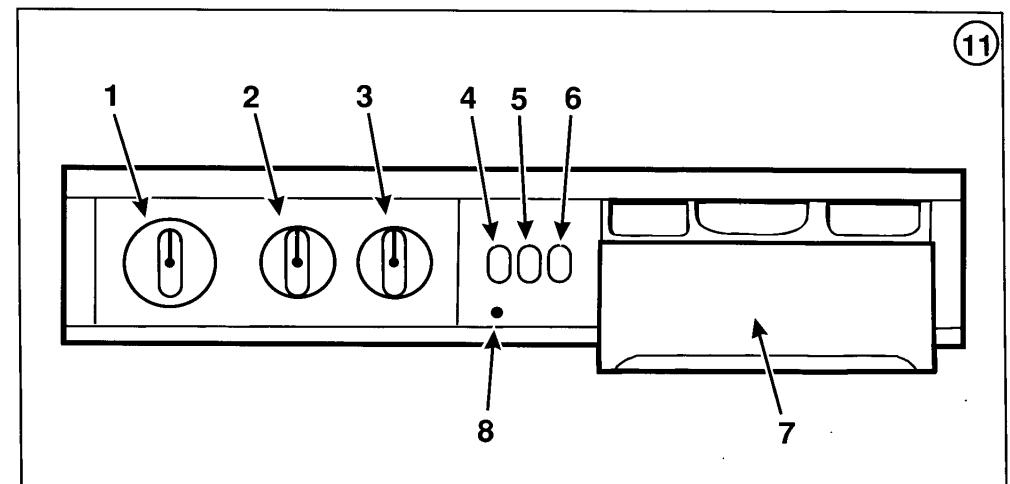
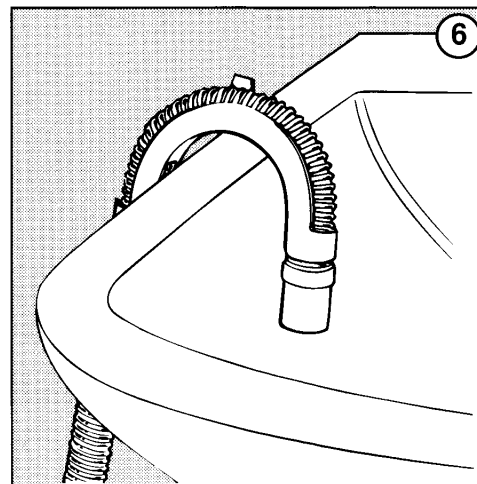
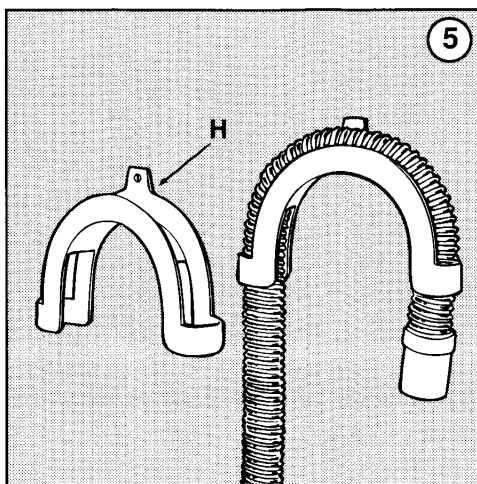
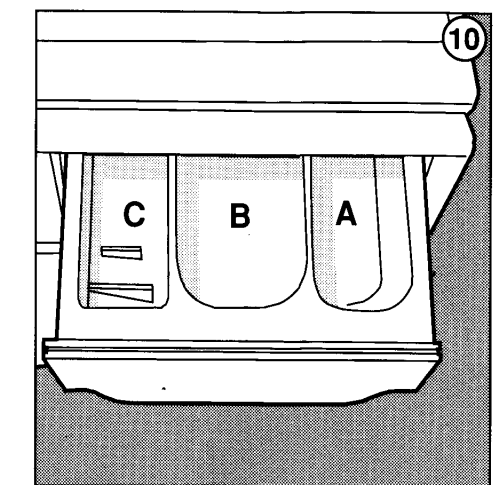
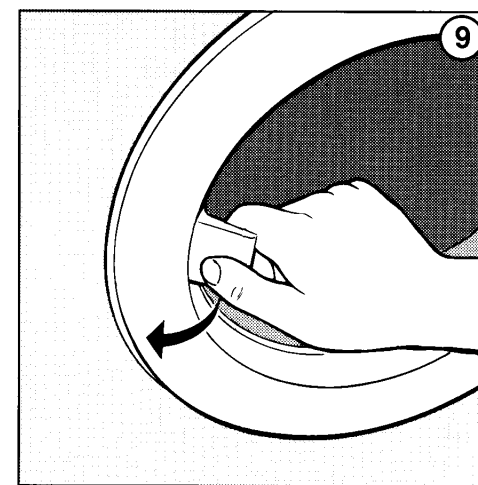
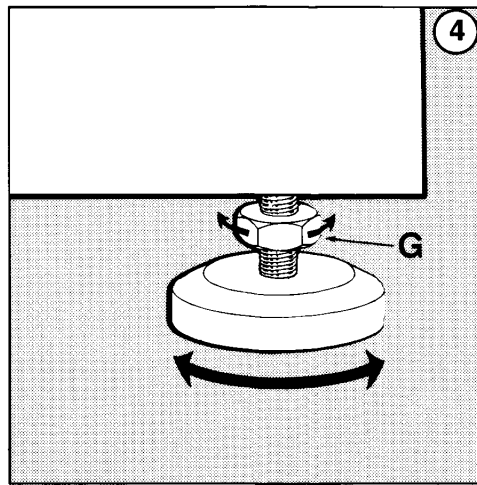
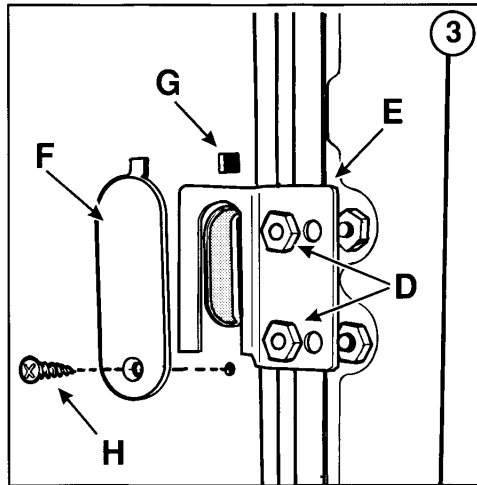
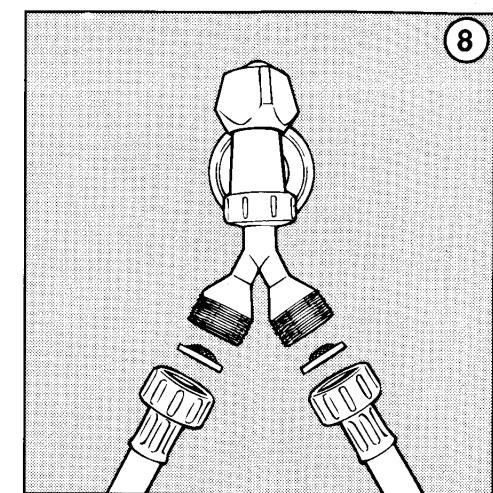
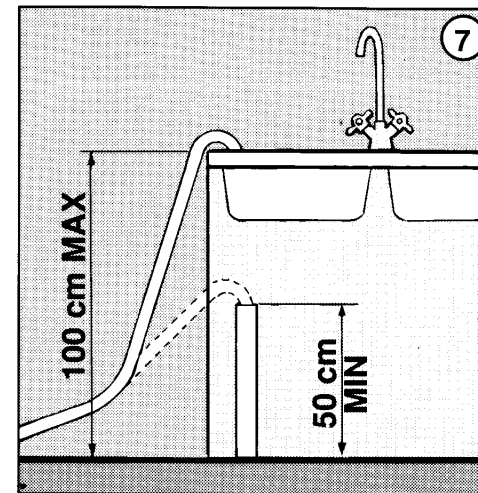
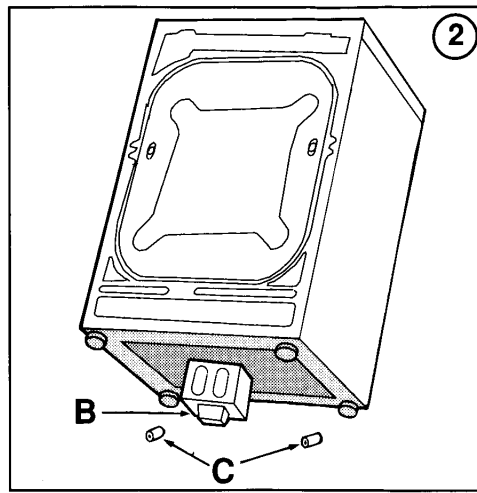
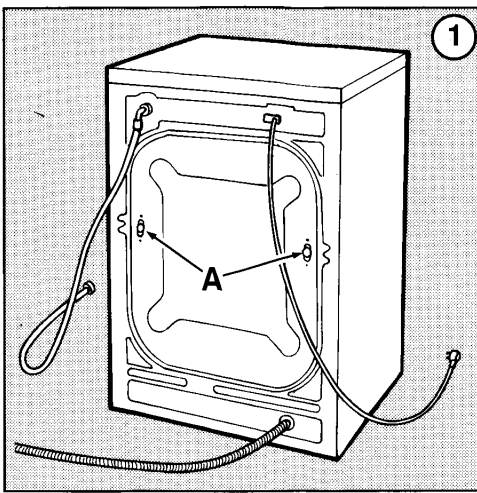
Instructions for Installation and use

Merloni Elettrodomestici spa

Viale Aristide Merloni, 45
60044 Fabriano/Italia
Tel. (0732) 6011

195003439.09





Your Indesit guarantee

Your INDESIT appliance is guaranteed for a period of twelve months taken from the date of purchase of the appliance against any defects in the appliance due to faulty materials or faulty manufacture. During this period, repairs to the appliance would be carried out by your local INDESIT Service Centre subject to the following conditions.

1. The fault must be entirely due to faulty materials or faulty manufacture.
2. The defect must not have been caused by bad installation, accidental damage, misuse or failure to comply with instructions given in this booklet.
3. The appliance must be used solely for domestic use.
4. If at any time during the guarantee period any part or parts of the appliance are replaced with a part or parts not supplied or approved by us or if the appliance has been dismantled or repaired by any person not authorised by INDESIT, this guarantee shall immediately cease and become void.
5. Evidence of the date of purchase (invoice, receipt or hire purchase agreement) must be produced to the service engineer when he calls to obtain the benefit of this guarantee.
6. This guarantee applies to the original purchaser or hirer only and the appliance must have been purchased or hired new. The guarantee cannot be assigned or transferred.
7. Any defective part that has been replaced shall become the property of INDESIT who reserves the right to replace the appliance or repair it, at its exclusive discretion.
8. The guarantee applies only to appliances purchased in England and Wales and the mainland of Scotland. It does not apply to the Isle of Man, Channel Islands or the Hebrides and Outer Islands.
9. Plastic, glass and rubber are not covered under the terms of the guarantee.

THIS GUARANTEE DOES NOT IN ANY WAY AFFECT YOUR STATUTORY RIGHTS AS A CONSUMER

Getting to know your new Indesit machine

Thank you for choosing Indesit and before using your new machine we ask you to carefully read the following information and user instructions. All Indesit domestic appliances are the result of many years of research, development and experience. Whilst our machines are designed with simplicity of operation in mind, there are certain features and benefits which only become obvious when you thoroughly understand how best to use your new Indesit product. Your Indesit guarantee is printed at the rear of this instruction book along with a list of Indesit Service Departments, located through the United Kingdom.

In the event of your Indesit machine requiring service, at any time in the future, we strongly recommend that you contact only a Indesit owned Service Department. This not only protects your guarantee, but ensure that only Indesit trained engineers, with access only to genuine components, service your machine.

We trust that you will enjoy many years of reliable service from your new Indesit and, once again, thank you for choosing Indesit.

Technical data

Dimensions:	Height	85cm (33½)
	Width	59.6cm (23¾)
	Depth	54cm including hoses (21¼)
Water pressure:		50 -900 kN/m ² 7 - 130 lbs/sq.in. max.
Max Wash loads:	Heavy cycle	5 kg (11 lb)
	Delicate cycle	2.5 kg (5 lb)
	Woollen cycle	1.0 (2 lb)

Important

Do not connect the machine to the electricity supply until all packing and transit fitments have been removed. To obtain the best possible performance and trouble free operation from your machine it is important that you read these instructions carefully. Failure to observe these instructions may invalidate your right to free service during the guarantee period. We recommend you keep these instructions in a place near your appliance for easy reference.

Electrical Connection

Your appliance is now supplied with a 13 amp fused plug that can be plugged into a 13 amp socket for immediate use. Before using the appliance please read the instructions below.

WARNING - THIS APPLIANCE MUST BE EARTHED.

THE FOLLOWING OPERATIONS SHOULD BE CARRIED OUT BY A QUALIFIED ELECTRICIAN.

Replacing the fuse:

When replacing a faulty fuse, a 13 amp ASTA approved fuse to BS 1362 should always be used, and the fuse cover re-fitted. If the fuse cover is lost, the plug must not be used until a replacement is obtained.

Replacement fuse covers:

If a replacement fuse cover is fitted, it must be of the correct colour as indicated by the coloured marking or the colour that is embossed in words on the base of the plug. Replacements can be obtained directly from your nearest Service Depot.

Removing the plug:

If your appliance has a non-rewireable moulded plug and you should wish to remove it to add a cable extension or to re-route the mains cable through partitions, units etc., please ensure that either:

- the plug is replaced by a fused 13 amp re-wireable plug bearing the BSI mark of approval

or:

- the mains cable is wired directly into a 13 amp cable outlet, controlled by a switch, (in compliance with BS 5733) which is accessible without moving the appliance.

Disposing of the plug:

Ensure that before disposing of the plug itself, you make the pins unusable so that it cannot be accidentally inserted into a socket.

Instructions for connecting cable to an alternative plug:

Important: the wires in the mains lead are coloured in accordance with the following code:

Green & Yellow	Earth
Blue	Neutral
Brown	Live

Water leaking from machine

- Check that the inlet hose connections are tight and washers are in place.
- Reduce quantity of powder if this is causing over-sudsing resulting in leakage, or eventually change the wash-powder brand.
- Ensure that the small plastic pipe in the additive compartment is in place and not blocked.
- Check for blockage in soap dispenser. If blocked clear by flushing through with warm water - set the machine for an empty wash using two or three tablespoons of household soda crystals.

Machine will not discharge water

Check that outlet hose is not kinked or blocked.

Now, if after doing these simple checks, your machine is still not working properly, contact your nearest Indesit Service Centre.

Faults and after sales service

During manufacture, every effort is made to ensure efficient running of your machine. However, even the best-made equipment sometimes needs attention. A service charge is made if our engineer is called out and no fault is found on your machine, even in the guarantee period. It is also important that our engineer is able to gain access to your machine as a charge is made for abortive service calls. The Manufacturer has its own nationwide service network, but in your own interest, make the following simple checks before calling us.

Machine completely dead

- Check that there is current at the wall socket by plugging in another appliance. If not, check for blown fuse in your fuse box. If there is current at the socket, check the plug fuse and replace with new **13 amp** fuse if necessary.
- Check that the door is firmly shut otherwise the safety switch will not allow the drum to rotate.
- Check the machine is switched on and set to the correct Programme Selector position. Advance one click.
- Check that the water supply is turned on.

Water will not go into machine

- Check that water supplies are turned on.
- Check that the inlet hose is not kinked.
- Water pressure too low.

It should be noted that the hot water supply could be substantially reduced if the hot water storage tank is not 1 storey above the level of the appliance.

Machine continually emptying

Almost certainly because the outlet hose is not at the 20" minimum height from the floor or there is no provision for an airbreak.

As the colours of the wires in the mains lead may not correspond with the coloured markings identifying the terminals in your plug, proceed as follows:

Connect Green & Yellow wire to terminal marked **E** or \equiv or coloured Green or Green & Yellow.

Connect Brown wire to terminal marked **L** or coloured Red.

Connect Blue wire to terminal marked **N** or coloured Black.

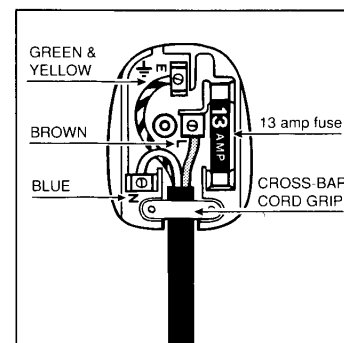
If a 13 amp plug (BS 1363) is used it must be fitted with a 13 amp fuse.

If you are in any doubt about the electrical supply to your machine, consult a qualified electrician before use.

How to connect an alternative plug:

The wires in this mains lead are coloured in accordance with the following code:

BLUE	NEUTRAL (N)
BROWN	LIVE (L)
GREEN AND YELLOW	EARTH (E)



Disposing of the appliance:

When disposing of the appliance please remove the plug by cutting the mains cable as close as possible to the plug body and dispose of it as described above.

Do not attempt to use your machine before carrying out these instructions

Unpacking instructions

To prevent damage to this machine during transit, metal braces are fitted inside the appliance.

Do not connect or operate the machine until transit brackets have been removed. Also remove the polystyrene support under the tank.

Installation instructions

Preliminary Operation:

1. Remove the external packaging.
2. Unscrew and remove the 2 bolts **A** which are located at the back of the machine as in Fig. 1.
3. Unscrew the **D** nuts and remove the metal plate **E** Fig 3.
4. Fit the two **F** plastic caps supplied with the washing machine, hook them to the **G** ports and fix them with the **H** screws (Fig. 3). The caps are used to plug the holes resulting from the removal of the **A** screws.
5. Tilt the washing machine towards the front part (Fig. 2):
 - Check that the **B** polystyrene dowel is not stuck under the tub.
 - Pick up the two **C** plastic spacers which drop off when unscrewing the **A** screws.

N.B.: the **A** screws, the **B** dowel, the **C** spacers, the **D** nuts and the **F** plates are all used for transport. It is advisable to keep them and to use them again in case of removal.

Installation

The appliance should preferably be positioned on a solid floor to minimise vibration and noise during spinning.

All four feet must be in firm contact with the floor.

The front feet are adjustable. (Fig. 4):

- Turn the rubber foot with the fingers so as to raise or lower it as required.
- Re-lock the nut upwards against the underside of the cabinet.
- Ensure that all four feet are making contact with floor. In the case of flooring with carpeting, remember to check that the ventilation in the support area is not plugged.





If the machine is part of a fitted kitchen, remember to leave enough room for it to be taken out from its position for maintenance.

Pre-wash A	Dispenser Main- wash B	Fabric Cond. C	Control buttons				
Yes	Yes	optional	optional	optional	optional	optional	Yes
-	Yes	optional	optional	optional	optional	optional	Yes
Yes	Yes	optional	optional	optional	optional	optional	Yes
-	Yes	optional	optional	optional	optional	optional	Yes
-	Yes	optional	optional	optional	optional	optional	Yes
-	Yes	optional	optional	optional	optional	optional	Yes
-	-	optional	optional	optional	optional	optional	Yes
-	-	Yes	optional	optional	optional	optional	Yes





-	Yes	optional	not	not	-	-	Yes
-	Yes	optional	not	not	-	-	Yes
-	Yes	optional	not	not	-	-	Yes
-	Yes	optional	not	not	-	-	Yes
-	-	optional	not	not	-	-	Yes
-	-	Yes	not	not	-	-	Yes
-	-	-	not	not	-	-	Yes

-	Yes	optional	not	not	optional	optional	Yes
-	-	optional	not	not	optional	optional	Yes
-	-	Yes	not	not	optional	optional	Yes



Wash programme chart

HLCC Symbol	Program. Start Posit.	Temperat. Selector Knob	Recomm. Spin Speed	NORMAL FABRICS
-	1	MAX	1000 rpm	Linen or cotton, white or coloured to stand boiling temperatures Very heavily soiled
	2	MAX	1000 rpm	Linen or cotton, white or coloured to stand boiling temperatures Heavily soiled
-	1	60°C	1000 rpm	Linen or cotton, with colours standing up to 60°C Very heavily soiled
	2	60°C	1000 rpm	Linen or cotton, with colours standing up to 60°C Heavily soiled
	3	60°C	1000 rpm	Linen or cotton, with colours standing up to 60°C Normal soiled
	4	40°C	1000 rpm	Linen or cotton with colours standing up to 40°C
-	4	❄	1000 rpm	Cold wash (Any fabric described above)
-	5	-	1000 rpm	Rinses for fabrics as per above programmes
-	6	-	1000 rpm	Special operations (starching, softening, etc.)

Synthetics Fabrics

	7	60°C	-	White nylon, white polyester/cotton mixtures
	7	50°C	-	Synthetics and mixed colours
	7	40°C	-	Synthetics mixed with delicate colours
	8	30°C	-	Silk and printed acetate fabrics with delicate colours
-	8	❄	-	Cold wash (Garments all fabrics described above)
-	9	-	-	Rinses, for delicate fabrics as per above programmes
-	10	-	-	Special operations (starching, softening, etc.)
-	11	-	-	Draining

Woolens and Delicate Fabrics

	12	40°C	500 rpm	Net curtains knitted wool garments  machine washable delicate garments acrylic
-	13	-	500 rpm	Rinses, for delicate fabrics as per above programmes
-	14	-	500 rpm	Special operations (starching, softening, etc.) Draining with short spinning

Water outlet connection

Connect the curved outlet hose onto a sink or standpipe. It is advisable that the outlet hose should not be fitted without an air break.

The outlet hose can be of two types:

- curved end obtained with moulded hose.
- hose not curved and separate **U** shaped hose holder **H**. This holder is supplied separately and is located inside the appliance. Insert the hose into U shaped holder as in Fig. 5 and connect the complete outlet hose to the sink (Fig. 6).

The drain hose should discharge into a standpipe not less than 20" above floor level (Fig. 7).

An airbreak to stop water being syphoned away from the machine must exist between the outlet hose and standpipe, so the internal diameter of the standpipe must be least 1 1/2".

If your machine has to be used from existing sink taps, the sink height must be at least 20" above floor level and the outlet hose must be securely hooked over the sink.

Water supply

Both hot cold water supplies are preferable and they should be between 34.5 kN/m² (5 lb/in²) and 1034.2 kN/m² (150 lb/in²) pressure.

The hose having the red end fitting should be connected between the hot supply and the threaded connection adjacent to the letter **H** on the rear of the machine. The hose having the white end fittings should be connected between the cold supply and the threaded connection adjacent to the letter **C** on the rear of the machine. Remember to insert a sealing washer at each connection to ensure watertight joints. Do not overtighten the connections by using tools - hand tight is sufficient to prevent leaks.

It is generally more convenient to have these supplies away from the sink taps. Where no suitable hot water supply is available or it does not meet these requirements, both inlet hose may be connected to a cold supply by using two taps etc., or a **Y** junction on the plumbing (see Fig. 8) however, use of cold water will only increase programme times.

Note: the maximum temperature should not exceed 70°C (180°F).

Door lock

Safety

In addition to the standard controls your washer incorporates several additional safety features.

The door incorporates an interlock system to prevent access to the drum during the programme.

To open the door make sure the knob 1 of Programme Selector has been on STOP position for at least 1 - 2 min. Pull the door latch handle towards you to open the door (Fig. 9).

Important: The machine cannot be switched on with an open door, i.e. it will not start when pressing button of Main Switch.

This prevents children from gaining access to the drum which is particularly important on high temperature programmes.

Water: The programme cannot start without water.

Cleaning the discharge Pump

Your washing-machine is fitted with a self-cleaning pump and does not require any cleaning or maintenance operations.

Trouble shooting guide

If your machine does not work, check the following points before calling a service engineer.

- Check that there is a supply of electricity;
- Check that there is a supply of water;
- Check that the machine is switched on and the door is properly closed;
- Check the plug connections, if applicable, and fuse;
- Check that the pump is not obstructed or the drain hose is not kinked.

Maintenance and trouble shooting guide

To obtain the best results from your machine, it is important that you get to know it well. Familiarisation and confidence grow quickly with frequent usage of the machine. It is equally important to study the instructions carefully.

Experience has shown that many service calls are made on machines, particularly on new ones, due to the instructions not being followed correctly. This not only deprives you of the use of the machine, it also means a wasted service call which could inconvenience another user.

To assist in avoiding this situation we describe below the methods for cleaning the detergent dispenser and the drain pump followed by a list of possible complaints or problems, their causes and the remedial action required.

Remember

The Service Department will charge for a service call if the visit is not due to a fault of the appliance.

Please read this carefully - It could save you money.

If, after reading this guide, you still require the assistance of a service engineer, contact the nearest service branch.

Detergent Dispenser

The detergent dispenser can be cleaned as follows:

- Pull out the drawer until it is fully extended. The drawer can then be removed by pulling it firmly outwards. Remove fabric conditioner syphon tube cover;
- Rinse the drawer under a tap and dry;
- Refit syphon tube cover. Wipe out the drawer cavity with a damp cloth;
- To replace the drawer, firstly locate the upper rear left-hand corner of the dispenser drawer into the corresponding left-hand slot on the drawer housing;
- Push the drawer into the housing;
- If the drawer does not slide easily you have not located it correctly.

Operating features (Fig. 11)

Machine Control Panel

- 1 Programme selector knob
- 2 Temperature selector knob
- 3 Spin speed control (WN 1069 WG)
- 4 ON/Off button
- 5 Ecosense button (WN 1062 WR)
- 5 Half load selector button (WN 1069 WG-WN1061WR))
- 6 No spin button (WN 1069 WG)
- 6 Spin speed push button (WN 1062 WR-WN1061WR))
- 7 Detergent dispenser drawer.
- 8 ON/Off led

1. Programme Selector

This selects the wash programme suitable for the fabrics to be washed, according to the advice given in the chart programmes. To do this, turn the dial **1 clockwise until the index** is on the number indicated in the "Programme Selector" column. Once started, the machine works automatically until the programme is completed.

Important: Always ensure that the machine is switched off at the ON/OFF button before moving the Programme Selector knob to any desired position.

2. Temperature selector

This selects a suitable temperature for the fabrics to be washed, always according to the indications given in the chart programmes. The temperatures indicated therein have been selected in such a way as to obtain the best results possible (higher temperatures could in some cases, damage the garments). It is possible however to alter the choice of temperature, if required.

3. Spin speed control (1069WG)

This select suitable spin speed for the fabrics to be spun, from 300 rpm to **MAX** about 1000 rpm.

You can see our suggestions in choosing the suitable speed on next paragraphs about programme descriptions.

4. Main Switch Push-Button

Depression of this button switches the machine on. This should only be depressed after the machine has been fully programmed for the chosen fabrics, etc.

5. Ecosense button (WN 1062 WR)

Use this button with programmes for washing linen and cotton. You washing machine will automatically regular the water intake according to the load size, offering savings in water, energy and detergent.

Do not use this function for washing synthetic fabrics and woollens.

5. Half load selector button (WN1069WG-WN1061WR)

To economize on water and time especially when reduced loads of linen are to be washed (2 Kg or less), press this button with any setting of the programmes from 1 to 6.

6. No-spin button (WN1069WG)

This button should be pressed if you wish to suppress the spinning cycle from all wash-programmes featuring it (1 to 6 & 13).

6. Spin speed push-button (1062WR-WN1061WR)

Normally the spin speed for the programmes from 1 to 6, is of about 1000 revs. per minute. Press this button when you wish to reduce this speed to about 500 revs. per minutes. You can see our suggestions in choosing the suitable speed on next paragraphs about programme descriptions.

Programme 9

(Three rinses, the final one with intake of fluid additive) can be used for rinsing clothes which have already been washed (for possible fabric dimpling after being extracted from the machine), or to wash dry clothes which are not dirty enough to require the action of soap powder or of hot water.

Programme 10

(One rinse, intake of fluid additive) can be used for the softening, perfuming, etc. of any laundry which has already been washed.

Programme 11 (water discharge)

Is only used to discharge water at the end of programmes 7 to 11.

Programmes 12 to 14 (Woollens and delicate garments)

It should be remembered that only wool garments bearing the mark "pure wool" or "machine washable" can be washed in a washing machine.

12 Main wash, three rinses, final spin

13 Three rinses, final spin

14 One rinse with fluid additive intake, draining, a short spin.

Important: When washing woollens and very delicate fabrics do not overcharge the machine. Half a normal load (ab. 2 - 2.5 Kg) should be introduced in the machine for delicate garments and max 1 Kg for woollens.

At the end of programme

A washing programme is finished when the programme selector knob indicator lines up with a stop position on the fascia.

- Depress ON/OFF button;
- Wait two minutes for the door safety interlock mechanism to release;
- Open door and remove laundry.

After use

- Switch off appliance by depressing ON/OFF button;
- Turn off the taps and with dry hands switch off mains supply from socket and remove the plug.

Programmes 1 to 6 (linen, cotton and mixed fabrics)

1. Pre-wash, main wash, four rinses, final spin.
- 2-3-4.** Main wash, four rinses, final spin.
5. Four rinses, final spin.
6. One rinse, intake of fluid additive, final spin.

To select the right programme for your washing consult the Wash programmes Table.

Programme 5

(Four rinses, the final one taking in the fluid additive, and final spinning) can be used for rinsing clothes which have already been washed (for possible fabric dimpling after being extracted from the machine or for bleaching), or to wash dry clothes which are not dirty enough to require the action of soap powders or of hot water.

Programme 6

(One rinse, intake of fluid additive, final spin) can be used for treating any laundry already washed with softeners, perfumes, etc.

Note: For each programme two different spin speed values can be preset as follows: 1000 revs per minute (push-button 500/1000 out) or 500 revs. per minute (push-button 500/1000 pressed in). For the programmes 1-6 and the fabrics normally used on these programmes we suggest you use a spin speed of 1000 revs per minute, to ensure good results and reduce drying times later.

Programmes 7 to 11 (Synthetics and delicate garments)

- 7-8.** Main wash, three rinses. Programme stops without discharging the water of the last rinse.
- 9.** Three rinses. Programme stops without discharging the water of the last rinse.
- 10.** One rinse with fluid additive intake. Programme stops without discharging the water.
- 11.** Water discharge (manual).

At the end of each programme **7-8-9-10** the machine stops without discharging the water of the last rinse; the washing is left soaking in the water and does not crease. To remove the laundry from the machine, water should be first discharged. To do this, advance the programme selector knob to pos. **11**. If you want a final short spin, switch the machine off, then turn the programme selector knob to pos. **14**.

7. Detergent Dispenser

The detergent dispenser drawer is situated on the right hand side of the control panel and is opened by pulling the underside. The dispenser has three compartments which should be loaded as indicated in the programme chart on the rear pages of this booklet and as shown on Fig. 10. See also "Adding the detergent" and "Adding the Fabric Conditioner".

Note - Do not open the detergent dispenser during the programme without firstly switching off the machine.

Dispenser Compartments

- A) Pre-wash
- B) Main wash
- C) Fabric conditioner fluid additive (softener, perfume, etc.)

8. ON/Off led



This led indicates if power is reaching the machine. It is ON when **4** the button is pressed and OFF when the button **4** is not pressed.

Operating instructions

Connecting the Machine

- If the machine is not permanently installed attach the inlet hoses to the relevant supply taps.
- Hook the drain hose over the sink.
- With dry hands, connect the plug to the supply socket.
- Turn the hot and cold taps on fully and leave them on throughout the entire wash programme.
- For use on cold water only, see note under **Installation**.

Sorting the Clothes

It is important that each article is washed at the correct temperature and spun at the right speed. Many articles now have care labels with washing directions on them, two types of care labels may be encountered:  The numbers and temperatures in the wash-tubs, e.g.  on the care label, correspond to the numbers and temperatures on the programme chart. Sort the articles into groups which may be washed together. In the absence of this care label, group the articles according to the fabric description, using the details given in the programme chart on the rear pages of this booklet.

Before loading articles into the machine check the following points:

- Turn knitted garments inside out.
- Empty pockets of coins, keys, etc.
- Mend tears if necessary.
- Close all fastenings - zips and hooks, etc.
- Treat bad stains.
- Put very delicate articles (e.g. stockings, small socks) into a pillow case or laundry net.
- Tie belts or apron strings into bows.
- Check every part of the garment for security of buttons, and wash ability.

We recommend that undergarments with artificial supports/stiffeners (i.e. brassiere wires, corset bones, etc.) should be hand washed only, or strictly in accordance with manufacturer's instructions. Any damage to the machine caused by these wires/bones becoming detached from the garment is the responsibility of the user.

Adding the Detergent (Fig. 10)

Gently pull out the drawer until it is fully extended. Use only a low lather automatic detergent in your machine to ensure that your clothes tumble free of excess suds and are washed completely clean. For excellent all round results we recommend the following quantities. (One cupful of the detergent weighs approximately 100 grammes (3½ oz).

Dispenser A	Dispenser B		Dispenser C
Pre-wash	Main wash (Hard water)	Main wash (Soft water)	See note
1 Cup	2 Cups	1 Cup	

In soft water areas, for small loads or lightly soiled laundry, reduce this quantity to prevent excessive foaming. The programme chart indicates which dispenser to load for each programme. Store the detergent in a dry place. In areas with extremely hard water, more powder will be needed.

Adding the Fabric Conditioner

For the perfect finish for all your wash we recommend you use a Fabric Conditioner in the final rinse. This will not only give you a softer feel to all your wash, but also help to eliminate static cling and make ironing easier. Pour undiluted Fabric Conditioner slowly into the dispenser compartment marked C. Do not overfill the dispenser, follow the manufacturer's advice on the amount of use. The Fabric Conditioner will be automatically dispensed into the final rinse as part of the programme.

Starting Wash Programme

Ensure:

- water taps are turned fully on;
- the drain hose is correctly hooked into the sink or stand pipe and is not kinked;
- the clothes are loaded into the drum and the door is firmly closed;
- the dispenser has been charged with detergent and fabric conditioner;
- Consult the programme chart to select the programme required;
- Turn the programme selector knob clockwise to the appropriate number;
- Depress the ON/OFF push button.

Free Manuals Download Website

<http://myh66.com>

<http://usermanuals.us>

<http://www.somanuals.com>

<http://www.4manuals.cc>

<http://www.manual-lib.com>

<http://www.404manual.com>

<http://www.luxmanual.com>

<http://aubethermostatmanual.com>

Golf course search by state

<http://golfingnear.com>

Email search by domain

<http://emailbydomain.com>

Auto manuals search

<http://auto.somanuals.com>

TV manuals search

<http://tv.somanuals.com>