

Instructions for use

WASHING MACHINE

GB

GB

English,1

ES

Español,13

I

Italiano,25

GR

ΕΛΛΗΝΙΚΑ,37

PL

Polski,49

RO

Română,61

BG

БЪЛГАРСКИ,73

IWC 6083

Contents

Installation, 2-3

Unpacking and levelling
Connecting the electricity and water supplies
The first wash cycle
Technical data

Description of the washing machine and starting a wash cycle, 4-5

Control panel
Indicator lights
Starting a wash cycle

Wash cycles, 6

Table of wash cycles

Personalisation, 7

Setting the temperature
Setting the spin speed
Functions

Detergents and laundry, 8

Detergent dispenser drawer
Bleach cycle
Preparing the laundry
Garments requiring special care
Load balancing system

Precautions and tips, 9

General safety
Disposal
Opening the porthole door manually

Care and maintenance, 10

Cutting off the water or electricity supply
Cleaning the washing machine
Cleaning the detergent dispenser drawer
Caring for the door and drum of your appliance
Cleaning the pump
Checking the water inlet hose

Troubleshooting, 11

Service, 12

 **INDESIT**

Installation

GB

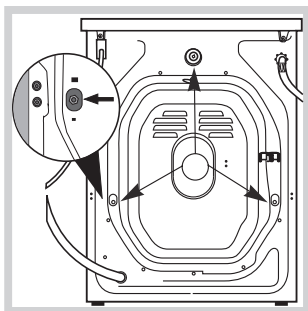
! This instruction manual should be kept in a safe place for future reference. If the washing machine is sold, transferred or moved, make sure that the instruction manual remains with the machine so that the new owner is able to familiarise himself/herself with its operation and features.

! Read these instructions carefully: they contain vital information relating to the safe installation and operation of the appliance.

Unpacking and levelling

Unpacking

1. Remove the washing machine from its packaging.
2. Make sure that the washing machine has not been damaged during the transportation process. If it has been damaged, contact the retailer and do not proceed any further with the installation process.



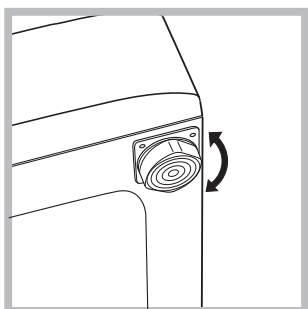
3. Remove the 3 protective screws (used during transportation) and the rubber washer with the corresponding spacer, located on the rear part of the appliance (see figure).

4. Close off the holes using the plastic plugs provided.
5. Keep all the parts in a safe place: you will need them again if the washing machine needs to be moved to another location.

! Packaging materials should not be used as toys for children.

Levelling

1. Install the washing machine on a flat sturdy floor, without resting it up against walls, furniture cabinets or anything else.

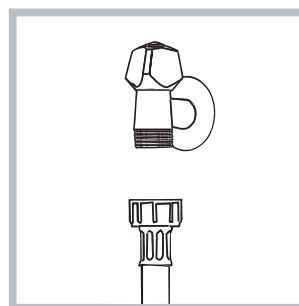


2. If the floor is not perfectly level, compensate for any unevenness by tightening or loosening the adjustable front feet (see figure); the angle of inclination, measured in relation to the worktop, must not exceed 2°.

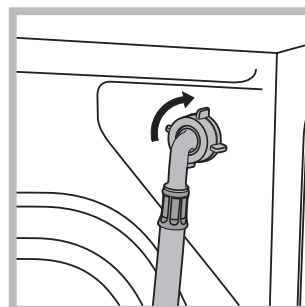
Levelling the machine correctly will provide it with stability, help to avoid vibrations and excessive noise and prevent it from shifting while it is operating. If it is placed on carpet or a rug, adjust the feet in such a way as to allow a sufficient ventilation space underneath the washing machine.

Connecting the electricity and water supplies

Connecting the water inlet hose



1. Connect the supply pipe by screwing it to a cold water tap using a 3/4 gas threaded connection (see figure). Before performing the connection, allow the water to run freely until it is perfectly clear.



2. Connect the inlet hose to the washing machine by screwing it onto the corresponding water inlet of the appliance, which is situated on the top right-hand side of the rear part of the appliance (see figure).

3. Make sure that the hose is not folded over or bent.

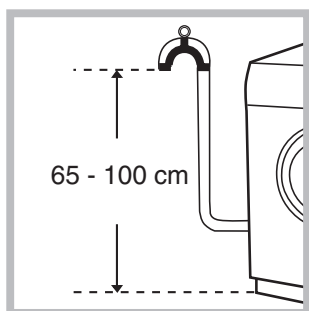
! The water pressure at the tap must fall within the values indicated in the Technical details table (see next page).

! If the inlet hose is not long enough, contact a specialised shop or an authorised technician.

! Never use second-hand hoses.

! Use the ones supplied with the machine.

Connecting the drain hose



Connect the drain hose, without bending it, to a drainage duct or a wall drain located at a height between 65 and 100 cm from the floor;



alternatively, rest it on the side of a washbasin or bathtub, fastening the duct supplied to the tap (see figure). The free end of the hose should not be underwater.

! We advise against the use of hose extensions; if it is absolutely necessary, the extension must have the same diameter as the original hose and must not exceed 150 cm in length.

Electrical connections

Before plugging the appliance into the electricity socket, make sure that:

- the socket is earthed and complies with all applicable laws;
- the socket is able to withstand the maximum power load of the appliance as indicated in the Technical data table (see opposite);
- the power supply voltage falls within the values indicated in the Technical data table (see opposite);
- the socket is compatible with the plug of the washing machine. If this is not the case, replace the socket or the plug.

! The washing machine must not be installed outdoors, even in covered areas. It is extremely dangerous to leave the appliance exposed to rain, storms and other weather conditions.

! When the washing machine has been installed, the electricity socket must be within easy reach.

! Do not use extension cords or multiple sockets.



! The cable should not be bent or compressed.

! The power supply cable must only be replaced by authorised technicians.

Warning! The company shall not be held responsible in the event that these regulations are not respected.

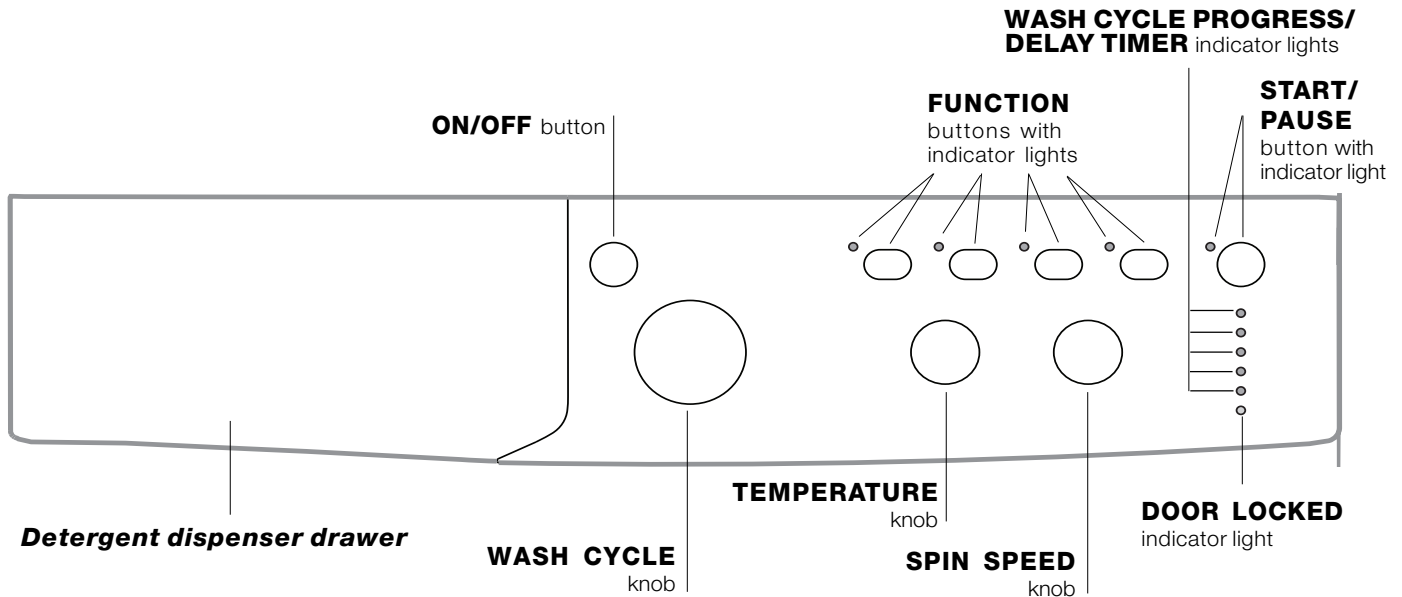
The first wash cycle

Once the appliance has been installed, and before you use it for the first time, run a wash cycle with detergent and no laundry, using the wash cycle **3**.

Technical data	
Model	IWC 6083
Dimensions	width 59.5 cm height 85 cm depth 52,5 cm
Capacity	from 1 to 6 kg
Electrical connections	please refer to the technical data plate fixed to the machine
Water connections	maximum pressure 1 MPa (10 bar) minimum pressure 0.05 MPa (0.5 bar) drum capacity 46 litres
Spin speed	up to 800 rotations per minute
Energy rated programmes according to regulation EN 60456	programme 2; temperature 60°C; using a load of 6 kg.
 	This appliance conforms to the following EC Directives: - 89/336/EEC dated 03/05/89 (Electromagnetic Compatibility) and subsequent modifications - 2002/96/EC - 2006/95/EC Low Voltage)

Description of the washing machine and starting a wash cycle

Control panel



Detergent dispenser drawer: used to dispense detergents and washing additives (see “Detergents and laundry”).

ON/OFF button: switches the washing machine on and off.

WASH CYCLE knob: programmes the wash cycles. During the wash cycle, the knob does not move.

FUNCTION buttons with indicator light: used to select the available functions. The indicator light corresponding to the selected function will remain lit.


TEMPERATURE knob: sets the temperature or the cold wash cycle (see “Personalisation”).

SPIN SPEED knob: sets the spin speed or exclude the spin cycle completely (see “Personalisation”).

WASH CYCLE PROGRESS/DELAY TIMER indicator lights: used to monitor the progress of the wash cycle. The illuminated indicator light shows which phase is in progress. If the Delay Timer function has been set, the time remaining until the wash cycle starts will be indicated (see next page).

DOOR LOCKED indicator light: indicates whether the door may be opened or not (see next page).

START/PAUSE button with indicator light: starts or temporarily interrupts the wash cycles.

N.B. To pause the wash cycle in progress, press this button; the corresponding indicator light will flash orange, while the indicator light for the current wash cycle phase will remain lit in a fixed manner. If the DOOR LOCKED  indicator light is switched off, the door may be opened.

To start the wash cycle from the point at which it was interrupted, press this button again.

Indicator lights

The indicator lights provide important information. This is what they can tell you:

Delayed start

If the DELAY TIMER function has been activated (see "Personalisation"), after the wash cycle has been started the indicator light corresponding to the selected delay period will begin to flash:



As time passes, the remaining delay will be displayed and the corresponding indicator light will flash:




The set programme will start once the selected time delay has expired.

Starting a wash cycle






1. Switch the washing machine on by pressing the ON/OFF button. All indicator lights will switch on for a few seconds, then they will switch off and the START/PAUSE indicator light will pulse.
2. Load the laundry and close the door.
3. Set the WASH CYCLE knob to the desired programme.
4. Set the washing temperature (see "Personalisation").
5. Set the spin speed (see "Personalisation").
6. Measure out the detergent and washing additives (see "Detergents and laundry").
7. Select the desired functions.
8. Start the wash cycle by pressing the START/PAUSE button and the corresponding indicator light will remain lit in a fixed manner, in green.

To cancel the set wash cycle, pause the machine by pressing the START/PAUSE button and select a new cycle.

9. At the end of the wash cycle the **END** indicator light will switch on. The door can be opened once the DOOR LOCKED  indicator light turns off. Take out your laundry and leave the appliance door ajar to make sure the drum dries completely. Switch the washing machine off by pressing the ON/OFF button.

Wash cycle phase indicator lights

Once the desired wash cycle has been selected and has begun, the indicator lights switch on one by one to indicate which phase of the cycle is currently in progress.

Wash	
Rinse	
Spin	
Drain	
End of wash cycle	

Function buttons and corresponding indicator lights

When a function is selected, the corresponding indicator light will illuminate.

If the selected function is not compatible with the programmed wash cycle, the corresponding indicator light will flash and the function will not be activated.

If the selected function is not compatible with another function which has been selected previously, the indicator light corresponding to the first function selected will flash and only the second function will be activated; the indicator light corresponding to the enabled option will remain lit.

Door locked indicator light

When the indicator light is on, the porthole door is locked to prevent it from being opened; make sure the indicator light is off before opening the door (wait approximately 3 minutes). To open the door during a running wash cycle, press the START/PAUSE button; the door may be opened once the DOOR LOCKED indicator light turns off.




N.B. If the DELAY TIMER function is activated, the door cannot be opened; pause the machine by pressing the START/PAUSE button if you wish to open it.

! Fast flashing of the "programme phases" and DOOR LOCKED indicator lights indicate an anomaly (see "Troubleshooting").

Wash cycles

GB

Table of wash cycles

Wash cycles	Description of the wash cycle	Max. temp. (°C)	Max. speed (rpm)	Detergents				Max. load (kg)		Cycle duration	
				Pre-wash	Wash	Bleach	Fabric softener	Normal	Eco Time	Normal	Eco Time
Daily											
1	Cotton with prewash: extremely soiled whites.	90°	800	●	●	-	●	6	-	164	-
2	Cotton: extremely soiled whites.	90°	800	-	●	●	●	6	-	145	-
2	Cotton (1): heavily soiled whites and resistant colours.	60°	800	-	●	●	●	6	-	137	-
2	Cotton (2): heavily soiled whites and delicate colours.	40°	800	-	●	●	●	6	-	123	-
3	Cotton: heavily soiled whites and resistant colours.	60°	800	-	●	●	●	6	3,25	119	104
4	Coloured Cottons (3): lightly soiled whites and delicate colours.	40°	800	-	●	●	●	6	3,25	89	71
5	Synthetics: lightly soiled resistant colours.	60°	800	-	●	●	●	2,5	2	85	72
Special											
6	Wool: for wool, cashmere, etc.	40°	600	-	●	-	●	1,5	-	55	-
7	Silk/Curtains: for garments in silk and viscose, lingerie.	30°	0	-	●	-	●	1	-	55	-
8	Jeans	40°	800	-	●	-	●	3	-	70	-
9	Express: to refresh lightly soiled garments quickly (not suitable for wool, silk and clothes which require washing by hand).	30°	800	-	●	-	●	1,5	-	15	-
10	Outwear	30°	400	-	●	-	-	2	-	46	-
Sport											
11	Sport Intensive	30°	600	-	●	-	●	3	-	78	-
12	Sport Light	30°	600	-	●	-	●	3	-	68	-
13	Sport Shoes	30°	600	-	●	-	●	Max. 2 pairs	-	50	-
Partial wash cycles											
	Rinse	-	800	-	-	●	●	6	-	36	-
	Spin	-	800	-	-	-	-	6	-	16	-
	Drain	-	0	-	-	-	-	6	-	2	-

The information contained in the table is intended as a guide only.

For all Test Institutes:

- 1) Test wash cycle in compliance with regulation EN 60456: set wash cycle 2 with a temperature of 60°C.
- 2) Long wash cycle for cottons: set wash cycle 2 with a temperature of 40°C.
- 3) Short wash cycle for cottons: set wash cycle 4 with a temperature of 40°C.

Specials wash cycles

Express (wash cycle 9) this wash cycle was designed to wash lightly soiled garments quickly: it lasts just 15 minutes and therefore saves both energy and time. By selecting this wash cycle (9 at 30°C), it is possible to wash different fabrics together (except for wool and silk items), with a maximum load of 1.5 kg.

Outwear (wash cycle 10) is studied for washing water-repellent fabrics and winter jackets (e.g. Gore-Tex, polyester, nylon); for best results, use a liquid detergent and dosage suitable for a half-load; pre-treat necks, cuffs and stains if necessary; do not use softeners or detergents containing softeners. *Stuffed duvets cannot be washed with this programme.*

Sport Intensive (wash cycle 11) is for washing lightly soiled sports clothing fabrics (tracksuits, shorts, etc.); for best results, we recommend not exceeding the maximum load indicated in the "Table of wash cycles". We recommend using a liquid detergent and dosage suitable for a half-load.

Sport Light (wash cycle 12) is for washing lightly soiled sports clothing fabrics (tracksuits, shorts, etc.); for best results, we recommend not exceeding the maximum load indicated in the "Table of wash cycles". We recommend using a liquid detergent and dosage suitable for a half-load.

Sport Shoes (wash cycle 13) is for washing sports shoes; for best results, do not wash more than 2 pairs simultaneously.

Antcrease

This function interrupts the wash programme, and the washing is left to soak in water before the appliance is drained. It can only be used with programme 7 (Silk/Curtains) and helps to prevent the formation of creases. To complete the cycle press the START/PAUSE button.

Setting the temperature

Turn the TEMPERATURE knob to set the wash temperature (see *Table of wash cycles*).

The temperature may be lowered, or even set to a cold wash ❄️.


The washing machine will automatically prevent you from selecting a temperature which is higher than the maximum value set for each wash cycle.

Setting the spin speed

Turn the SPIN SPEED knob to set the spin speed for the selected wash cycle.

The maximum spin speeds available for each wash cycle are as follows:

Wash cycles	Maximum spin speed
Cottons	800 rpm
Synthetics	800 rpm
Wool	600 rpm
Silk	drain only

The spin speed may be lowered, or the spin cycle can be excluded altogether by selecting the symbol .

The washing machine will automatically prevent you from selecting a spin speed which is higher than the maximum speed set for each wash cycle.

Functions

The various wash functions available with this washing machine will help to achieve the desired results, every time.



To activate the functions:

1. Press the button corresponding to the desired function;
2. the function is enabled when the corresponding indicator light is illuminated.

Note: If the indicator light flashes rapidly, this signals that this particular function may not be selected in conjunction with the selected wash cycle.

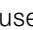
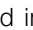
EcoTime

Selecting this option enables you to suitably adjust drum rotation, temperature and water to a reduced load of lightly soiled cotton and synthetic fabrics (refer to the "*Table of wash cycles*"). "EcoTime" enables you to wash in less time thereby saving water and electricity. We suggest using a liquid detergent suitably measured out to the load quantity.

! This function may not be used in conjunction with wash cycles 1, 2, 6, 7, 8, 9, 10, 11, 12, 13, , , .

Stain removal

Bleaching cycle designed to remove the toughest stains. Please remember to pour the bleach into extra compartment 4 (see "*Bleach cycle*").

! This function may not be used in conjunction with wash cycles 1, 6, 7, 8, 9, 10, 11, 12, 13, , .

Extra rinse

By selecting this option, the efficiency of the rinse is increased and optimal detergent removal is guaranteed. It is particularly useful for sensitive skin.

! This function may not be used in conjunction with wash cycles 9, , .

Delay timer

This timer delays the start time of the wash cycle by up to 12 hours.

Press the button repeatedly until the indicator light corresponding to the desired delay time switches on. The fifth time the button is pressed, the function will be disabled.

N.B. Once the START/PAUSE button has been pressed, the delay time can only be modified by decreasing it until launching the set programme.

! This option is enabled with all programmes.

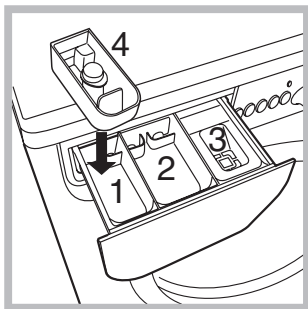
Detergents and laundry

GB

Detergent dispenser drawer

Good washing results also depend on the correct dose of detergent: adding too much detergent will not necessarily result in a more efficient wash, and may in fact cause build up on the inside of your appliance and contribute to environmental pollution.

! Do not use hand washing detergents because these create too much foam.



Open the detergent dispenser drawer and pour in the detergent or washing additive, as follows.

compartment 1: Pre-wash detergent (powder)

Before pouring in the detergent, make sure that extra compartment 4 has been removed.

compartment 2: Detergent for the wash cycle (powder or liquid)

Liquid detergent should only be poured in immediately prior to the start of the wash cycle.

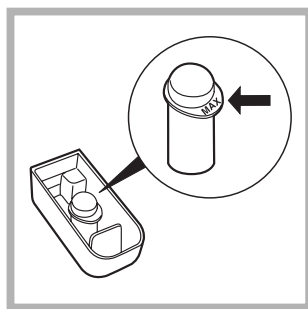
compartment 3: Additives (fabric softeners, etc.)

The fabric softener should not overflow the grid.



extra compartment 4: Bleach


Bleach cycle

! **Traditional** bleach should be used on sturdy white fabrics, and **delicate** bleach for coloured fabrics, synthetics and for wool.



This option is particularly useful for the removal of stubborn stains. Place extra compartment 4 (supplied) into compartment 1. When pouring in the bleach, be careful not to exceed the "max" level marked on the central pivot (see figure).

To run the bleach cycle on its own, pour the bleach into extra compartment 4, set the "Rinse"  programme and activate the "Stain removal"  option.

To bleach during a wash cycle, pour in the detergent and any fabric softener you wish to use, set the desired wash cycle and enable the "Stain removal"  option. The use of extra compartment 4 excludes the "Pre-wash" option.


Preparing the laundry

- Divide the laundry according to:
 - the type of fabric/the symbol on the label
 - the colours: separate coloured garments from whites.
- Empty all garment pockets and check the buttons.
- Do not exceed the listed values, which refer to the weight of the laundry when dry:
 - Durable fabrics: max. 6 kg
 - Synthetic fabrics: max. 2,5 kg
 - Delicate fabrics: max. 2 kg
 - Wool: max. 1,5 kg
 - Silk: max. 1 kg

How much does your laundry weigh?

- 1 sheet 400-500 g
- 1 pillow case 150-200 g
- 1 tablecloth 400-500 g
- 1 bathrobe 900-1200 g
- 1 towel 150-250 g

Garments requiring special care

Wool: all wool garments can be washed using programme 6, even those carrying the "hand-wash only"  label. For best results, use special detergents and do not exceed 1,5 kg of laundry.

Silk: use special wash cycle 7 to wash all silk garments. We recommend the use of special detergent which has been designed to wash delicate clothes.

Curtains: fold curtains and place them in a pillow case or mesh bag. Use wash cycle 7.

Jeans: Turn garments inside-out before washing and use a liquid detergent. Use programme 8.

Load balancing system

Before every spin cycle, to avoid excessive vibrations and to distribute the load in a uniform manner, the drum rotates continuously at a speed which is slightly greater than the washing rotation speed. If, after several attempts, the load is not balanced correctly, the machine spins at a reduced spin speed. If the load is excessively unbalanced, the washing machine performs the distribution process instead of spinning. To encourage improved load distribution and balance, we recommend small and large garments are mixed in the load.

! This washing machine was designed and constructed in accordance with international safety regulations. The following information is provided for safety reasons and must therefore be read carefully.

General safety

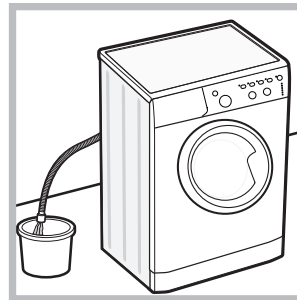
- This appliance was designed for domestic use only.
- The washing machine must only be used by adults, in accordance with the instructions provided in this manual.
- Do not touch the machine when barefoot or with wet or damp hands or feet.
- Do not pull on the power supply cable when unplugging the appliance from the electricity socket. Hold the plug and pull.
- Do not open the detergent dispenser drawer while the machine is in operation.
- Do not touch the drained water as it may reach extremely high temperatures.
- Never force the porthole door. This could damage the safety lock mechanism designed to prevent accidental opening.
- If the appliance breaks down, do not under any circumstances access the internal mechanisms in an attempt to repair it yourself.
- Always keep children well away from the appliance while it is operating.
- The door can become quite hot during the wash cycle.
- If the appliance has to be moved, work in a group of two or three people and handle it with the utmost care. Never try to do this alone, because the appliance is very heavy.
- Before loading laundry into the washing machine, make sure the drum is empty.

Disposal

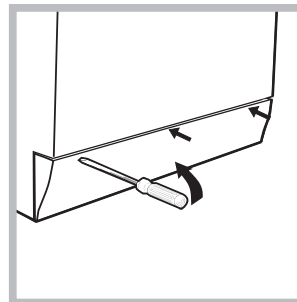
- Disposing of the packaging materials: observe local regulations so that the packaging may be re-used.
 - The European Directive 2002/96/EC on Waste Electrical and Electronic Equipment, requires that old household electrical appliances must not be disposed of in the normal unsorted municipal waste stream. Old appliances must be collected separately in order to optimise the recovery and recycling of the materials they contain and reduce the impact on human health and the environment. The crossed out "wheeled bin" symbol on the product reminds you of your obligation, that when you dispose of the appliance it must be separately collected.
- Consumers should contact their local authority or retailer for information concerning the correct disposal of their old appliance.

Opening the porthole door manually

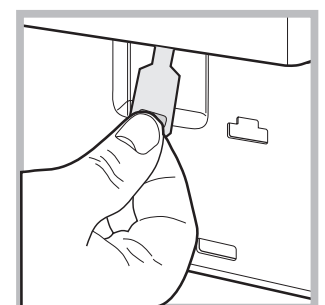
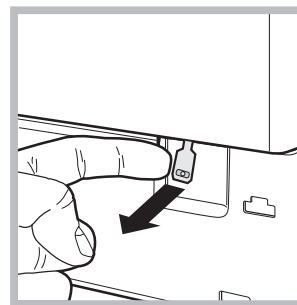
In the event that it is not possible to open the porthole door due to a powercut, and if you wish to remove the laundry, proceed as follows:



1. remove the plug from the electrical socket.
2. make sure the water level inside the machine is lower than the door opening; if it is not, remove excess water using the drain hose, collecting it in a bucket as indicated in the figure.



3. using a screwdriver, remove the cover panel on the lower front part of the washing machine (see figure).



4. pull outwards using the tab as indicated in the figure, until the plastic tie-rod is freed from its stop position; pull downwards and open the door at the same time.

5. reposition the panel, making sure the hooks are securely in place before you push it onto the appliance.

Care and maintenance

GB

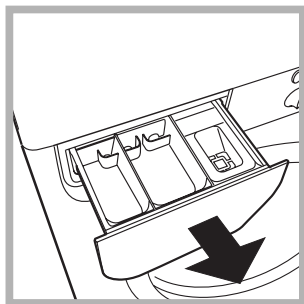
Cutting off the water and electricity supplies

- Turn off the water tap after every wash cycle. This will limit wear on the hydraulic system inside the washing machine and help to prevent leaks.
- Unplug the washing machine when cleaning it and during all maintenance work.

Cleaning the washing machine

The outer parts and rubber components of the appliance can be cleaned using a soft cloth soaked in lukewarm soapy water. Do not use solvents or abrasives.

Cleaning the detergent dispenser drawer



Remove the dispenser by raising it and pulling it out (see figure). Wash it under running water; this operation should be repeated frequently.

Caring for the door and drum of your appliance

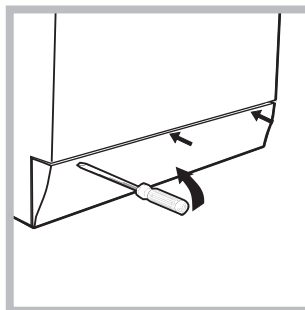
- Always leave the porthole door ajar in order to prevent unpleasant odours from forming.

Cleaning the pump

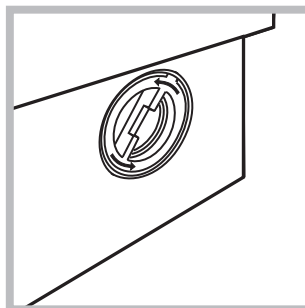
The washing machine is fitted with a self-cleaning pump which does not require any maintenance. Sometimes, small items (such as coins or buttons) may fall into the pre-chamber which protects the pump, situated in its bottom part.

! Make sure the wash cycle has finished and unplug the appliance.

To access the pre-chamber:



1. using a screwdriver, remove the cover panel on the lower front part of the washing machine (see figure);



2. unscrew the lid by rotating it anti-clockwise (see figure); a little water may trickle out. This is perfectly normal;

3. clean the inside thoroughly;
4. screw the lid back on;
5. reposition the panel, making sure the hooks are securely in place before you push it onto the appliance.

Checking the water inlet hose

Check the inlet hose at least once a year. If there are any cracks, it should be replaced immediately: during the wash cycles, water pressure is very strong and a cracked hose could easily split open.

! Never use second-hand hoses.

Your washing machine could fail to work. Before contacting the Technical Assistance Centre (see "Assistance"), make sure that the problem cannot be not solved easily using the following list.

Problem:

Possible causes / Solutions:

The washing machine does not switch on.

- The appliance is not plugged into the socket fully, or is not making contact.
- There is no power in the house.

The wash cycle does not start.

- The washing machine door is not closed properly.
- The ON/OFF button has not been pressed.
- The START/PAUSE button has not been pressed.
- The water tap has not been opened.
- A delayed start has been set (see "Personalisation").

The washing machine does not take in water (the indicator light for the first wash cycle stage flashes rapidly).

- The water inlet hose is not connected to the tap.
- The hose is bent.
- The water tap has not been opened.
- There is no water supply in the house.
- The pressure is too low.
- The START/PAUSE button has not been pressed.

The washing machine continuously takes in and drains water.

- The drain hose is not fitted at a height between 65 and 100 cm from the floor (see "Installation").
- The free end of the hose is under water (see "Installation").
- The wall drainage system is not fitted with a breather pipe.

If the problem persists even after these checks, turn off the water tap, switch the appliance off and contact the Assistance Service. If the dwelling is on one of the upper floors of a building, there may be problems relating to water drainage, causing the washing machine to fill with water and drain continuously. Special anti-draining valves are available in shops and help to avoid this inconvenience.

The washing machine does not drain or spin.

- The wash cycle does not include draining: some wash cycles require the drain phase to be started manually.
- The "Anticrease" function has been activated: To complete the wash cycle, press the START/PAUSE button ("Personalisation").
- The drain hose is bent (see "Installation").
- The drainage duct is clogged.

The washing machine vibrates a lot during the spin cycle.

- The drum was not unlocked correctly during installation (see "Installation").
- The washing machine is not level (see "Installation").
- The washing machine is trapped between cabinets and walls (see "Installation").

The washing machine leaks.

- The water inlet hose is not screwed on properly (see "Installation").
- The detergent dispenser drawer is blocked (for cleaning instructions, see "Care and maintenance").
- The drain hose is not fixed properly (see "Installation").

The "programme phases" and DOOR LOCKED indicator lights flash quickly.

- Switch off the machine and unplug it, wait for approximately 1 minute and then switch it back on again.
If the problem persists, contact the Technical Assistance Service.

There is too much foam.

- The detergent is not suitable for machine washing (it should display the text "for washing machines" or "hand and machine wash", or the like).
- Too much detergent was used.

Service

GB

Before calling for Assistance:

- Check whether you can solve the problem alone (see “*Troubleshooting*”);
- Restart the programme to check whether the problem has been solved;
- If this is not the case, contact an authorised Technical Assistance Centre using the telephone number provided on the guarantee certificate.

! Always request the assistance of authorised technicians.

Have the following information to hand:

- the type of problem;
- the appliance model (Mod.);
- the serial number (S/N).

This information can be found on the data plate applied to the rear of the washing machine, and can also be found on the front of the appliance by opening the door.

ES

Español

IWC 6083

ES

Sumario

Instalación, 14-15

Desembalaje y nivelación
Conexiones hidráulicas y eléctricas
Primer ciclo de lavado
Datos técnicos

Descripción de la lavadora y comienzo de un programa, 16-17

Panel de control
Pilotos
Poner en marcha un programa

Programas, 18

Tabla de programas

Personalizaciones, 19

Seleccionar la temperatura
Seleccionar el centrifugado
Funciones

Detergentes y ropa, 20

Contenedor de detergentes
Ciclo de blanqueo
Preparar la ropa
Prendas especiales
Sistema de equilibrado de la carga

Precauciones y consejos, 21

Seguridad general
Eliminaciones
Apertura manual de la puerta

Mantenimiento y cuidados, 22

Interrumpir el agua y la corriente eléctrica
Limpiar la lavadora
Limpiar el contenedor de detergentes
Cuidar la puerta y el cesto
Limpiar la bomba
Controlar el tubo de alimentación de agua

Anomalías y soluciones, 23

Asistencia, 24

Instalación

ES

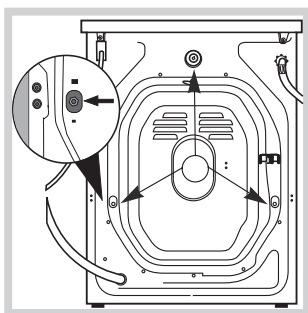
! Es importante conservar este manual para poder consultarlo en cualquier momento. En caso de venta, de cesión o de traslado, verifique que permanezca junto con la lavadora para informar al nuevo propietario sobre el funcionamiento y brindar las correspondientes advertencias.

! Lea atentamente las instrucciones: ellas contienen importante información sobre la instalación, el uso y la seguridad.

Desembalaje y nivelación

Desembalaje

1. Desembale la lavadora.
2. Controle que la lavadora no haya sufrido daños durante el transporte. Si estuviera dañada no la conecte y llame al revendedor.



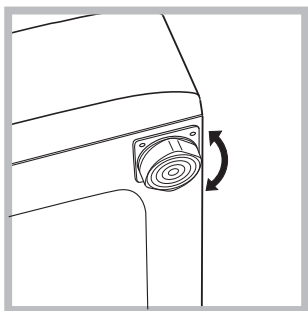
3. Quite los **3** tornillos de protección para el transporte y la arandela de goma con el correspondiente distanciador ubicados en la parte posterior (ver la figura).

4. Cubra los orificios con los tapones de plástico suministrados con el aparato.
5. Conserve todas las piezas: cuando la lavadora deba ser transportada nuevamente, deberán volver a colocarse.

! Los embalajes no son juguetes para los niños.

Nivelación

1. Instale la lavadora sobre un piso plano y rígido, sin apoyarla en las paredes, muebles ni en ningún otro aparato.

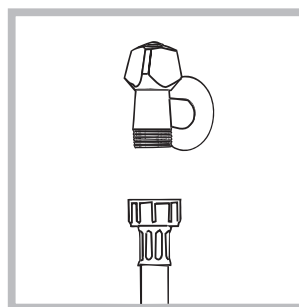


2. Si el piso no está perfectamente horizontal, compense las irregularidades desenroscando o enroscando las patas delanteras (ver la figura); el ángulo de inclinación medido sobre la superficie de trabajo, no debe superar los 2°.

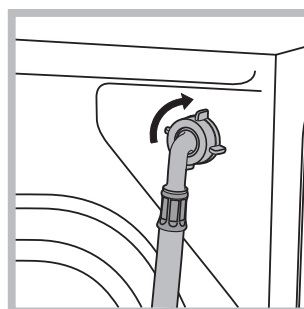
Una cuidadosa nivelación brinda estabilidad a la máquina y evita vibraciones, ruidos y desplazamientos durante el funcionamiento. Cuando se instala sobre moquetas o alfombras, regule los pies para conservar debajo de la lavadora un espacio suficiente para la ventilación.

Conexiones hidráulicas y eléctricas

Conexión del tubo de alimentación de agua



1. Conectar el tubo de tubo enroscándolo a un grifo de agua fría con la boca roscada de 3/4 gas (ver la figura). Antes de conectarlo, haga correr el agua hasta que esté límpida.



2. Conecte el tubo de alimentación a la lavadora enroscándolo en la toma de agua correspondiente ubicada en la parte posterior derecha (arriba) (ver la figura).

3. Controle que en el tubo no hayan pliegues ni estrangulaciones.

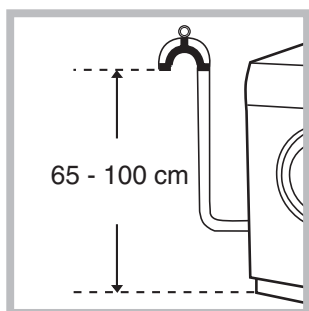
! La presión de agua del grifo debe estar comprendida dentro de los valores contenidos en la tabla de Datos técnicos (ver la página correspondiente).

! Si la longitud del tubo de alimentación no es la suficiente, diríjase a un negocio especializado o a un técnico autorizado.

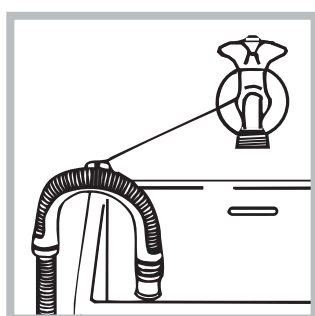
! No utilice nunca tubos ya usados.

! Utilice los suministrados con la máquina.

Conexión del tubo de descarga



Conecte el tubo de descarga, sin plegarlo, a una tubería de descarga o a una descarga de pared colocadas a una altura del piso entre 65 y 100 cm;



o apóyelo en el borde de un lavamanos o de una bañera, uniendo la guía suministrada con el aparato, al grifo (ver la figura). El extremo libre del tubo de descarga no debe permanecer sumergido en el agua.

! No se aconseja utilizar tubos de prolongación, si fuera indispensable hacerlo, la prolongación debe tener el mismo diámetro del tubo original y no superar los 150 cm.

Conexión eléctrica

Antes de enchufar el aparato, verifique que:

- la toma tenga la conexión a tierra y haya sido hecha según las normas legales;
- la toma sea capaz de soportar la carga máxima de potencia de la máquina indicada en la tabla de Datos técnicos (ver al costado);
- la tensión de alimentación esté comprendida dentro de los valores indicados en la tabla de Datos técnicos (ver al costado);
- la toma sea compatible con el enchufe de la lavadora. Si no es así, sustituya la toma o el enchufe.

! La lavadora no debe ser instalada al aire libre, ni siquiera si el lugar está reparado, ya que es muy peligroso dejarla expuesta a la lluvia o a las tormentas.

! Una vez instalada la lavadora, la toma de corriente debe ser fácilmente accesible.

! No utilice prolongaciones ni conexiones múltiples.



! El cable no debe estar plegado ni sufrir compresiones.

! El cable de alimentación debe ser sustituido sólo por técnicos autorizados.

¡Atención! La empresa fabricante declina toda responsabilidad en caso de que estas normas no sean respetadas.

Primer ciclo de lavado

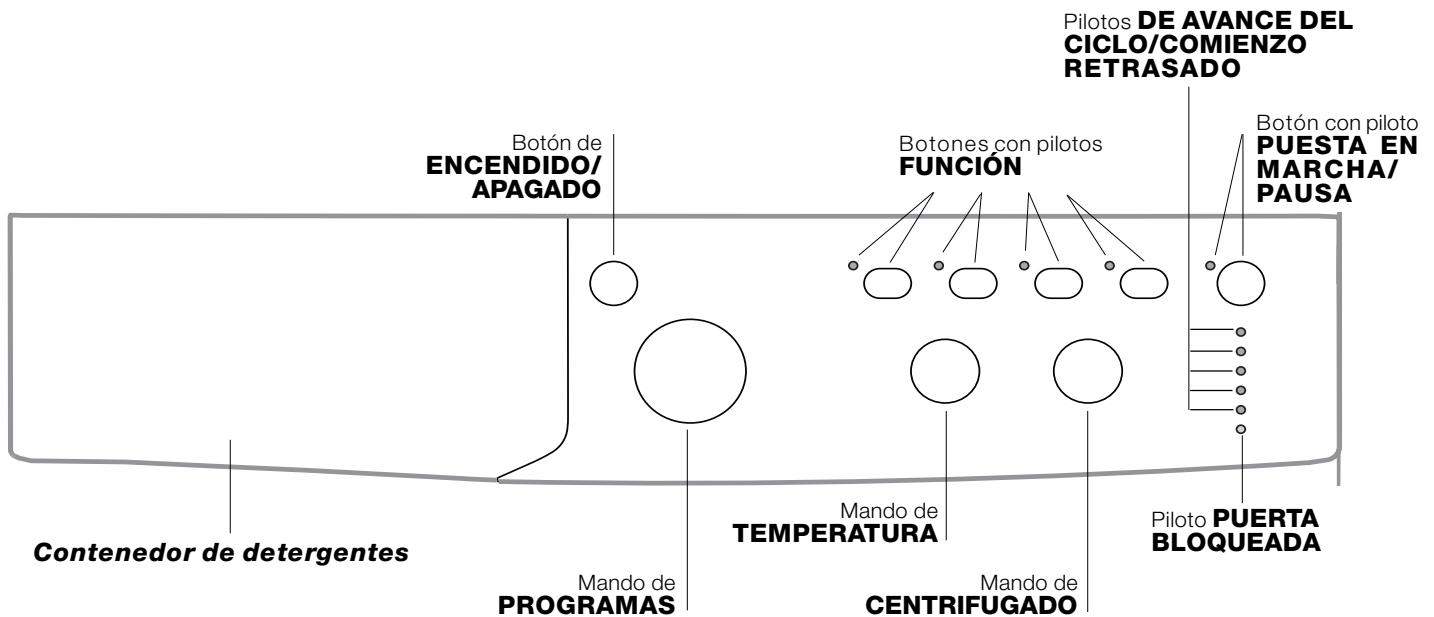
Después de la instalación y antes del uso, realice un ciclo de lavado con detergente y sin ropa, seleccionando el programa 3.

Datos técnicos	
Modelo	IWC 6083
Dimensiones	ancho 59,5 cm. altura 85 cm. profundidad 52,5 cm.
Capacidad	de 1 a 6 kg.
Conexiones eléctricas	ver la placa de características técnicas aplicada en la máquina
Conexiones hídricas	presión máxima 1 MPa (10 bar) presión mínima 0,05 MPa (0,5 bar) capacidad del cesto 46 litros
Velocidad de centrifugado	máxima 800 r.p.m.
Programas de control según la norma EN 60456	programa 2; temperatura 60°C; efectuado con 6 kg. de carga.
 	Esta máquina cumple con lo establecido por las siguientes Directivas de la Comunidad: - 89/336/CEE del 03/05/89 (Compatibilidad Electromagnética) y sucesivas modificaciones - 2002/96/CE - 2006/95/CE (Baja Tensión)

Descripción de la lavadora y comienzo de un programa

Panel de control

ES



Contenedor de detergentes: para cargar detergentes y aditivos (ver "Detergentes y ropa").

Botón de **ENCENDIDO/APAGADO:** para encender y apagar la lavadora.

Mando de **PROGRAMAS:** para elegir los programas. Durante el funcionamiento del programa el mando no se mueve.

Botones con pilotos de **FUNCIÓN:** para seleccionar las funciones disponibles. El piloto correspondiente a la función seleccionada permanecerá encendido.

Mando de **CENTRIFUGADO:** para seleccionar el centrifugado o excluirlo (ver "Personalizaciones").


Mando de **TEMPERATURA:** para seleccionar la temperatura o el lavado en frío (ver "Personalizaciones").

Pilotos **DE AVANCE DEL CICLO/COMIENZO RETRASADO:** para seguir el estado de avance del programa de lavado.

El piloto encendido indica la fase en curso. Si se seleccionó la función "Comienzo retrasado", indicarán el tiempo que falta para la puesta en marcha del programa (ver la página correspondiente).

Piloto **PUERTA BLOQUEADA:** para saber si la puerta se puede abrir (ver la página correspondiente).

Botón con piloto **PUESTA EN MARCHA/PAUSA:** se utiliza para poner en marcha los programas o interrumpirlos momentáneamente.

Nota: Presione este botón para poner en pausa el lavado en curso, el piloto correspondiente centelleará con color anaranjado mientras que el de la fase en curso permanecerá encendido en forma fija. Si el piloto PUERTA BLOQUEADA  está apagado, se podrá abrir la puerta.

Para que el lavado se reanude a partir del momento en el cual fue interrumpido, presione nuevamente este botón.

Pilotos

Los pilotos suministran información importante. He aquí lo que nos dicen:

Comienzo retrasado

Si se ha activado la función "Comienzo retrasado" (ver "Personalizaciones"), después de haber puesto en marcha el programa, comenzará a centellear el piloto correspondiente al retraso seleccionado:




Con el transcurrir del tiempo se visualizará el retraso residual con el centelleo de la luz testigo correspondiente:



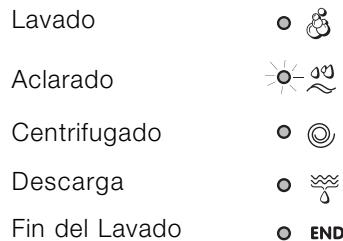
Una vez transcurrido el tiempo de retraso seleccionado, comenzará el programa.

Poner en marcha un programa

1. Encienda la lavadora presionando el botón ENCENDIDO/APAGADO. Todos los pilotos se encenderán durante algunos segundos, luego se apagarán y se deberá pulsar el piloto PUESTA EN MARCHA/PAUSA.
2. Cargue la ropa y cierre la puerta.
3. Seleccione el programa deseado con el mando de PROGRAMAS.
4. Fije la temperatura de lavado (ver "Personalizaciones").
5. Fije la velocidad de centrifugado (ver "Personalizaciones").
6. Vierta detergente y aditivos (ver "Detergentes y ropa").
7. Seleccione las funciones deseadas.
8. Ponga en marcha el programa presionando el botón PUESTA EN MARCHA/PAUSA y el piloto correspondiente permanecerá encendido, fijo y de color verde. Para anular el ciclo seleccionado ponga en pausa la máquina presionando el botón PUESTA EN MARCHA/PAUSA y elija un nuevo ciclo.
9. Al final del programa se iluminará el piloto END. Cuando el piloto PUERTA BLOQUEADA  se apague, será posible abrir la puerta. Extraiga la ropa y deje la puerta semicerrada para permitir que el cesto se seque. Apague la lavadora presionando el botón ENCENDIDO/APAGADO.

Pilotos fase en curso

Una vez seleccionado y puesto en marcha el ciclo de lavado deseado, las luces testigo se encenderán progresivamente para indicar su estado de avance:



Botones de función y pilotos correspondientes

Seleccionando una función, el piloto correspondiente se iluminará. Si la función seleccionada no es compatible con el programa elegido, el piloto correspondiente centelleará y la función no se activará. Si la función elegida no es compatible con otra seleccionada precedentemente, el piloto correspondiente a la primera función seleccionada centelleará y se activará sólo la segunda, el piloto de la función activada se iluminará.

Piloto puerta bloqueada

El piloto encendido indica que la puerta está bloqueada impidiendo su apertura; para poder abrir la puerta es necesario que dicho piloto esté apagado (espere 3 minutos aproximadamente). Para abrir la puerta mientras un ciclo está en curso, presione el botón PUESTA EN MARCHA/PAUSA; si el piloto PUERTA BLOQUEADA está apagado, será posible abrir la puerta.

Nota: si la función "Comienzo retrasado" está activada, la puerta no se puede abrir, para abrirla se debe poner en pausa la máquina presionando el botón PUESTA EN MARCHA/PAUSA.

! El centelleo rápido de los pilotos de las "fases de lavado" y el de la PUERTA BLOQUEADA señalan una anomalía (ver "Anomalías y soluciones").

Programas

ES

Tabla de programas

Programas	Descripción del Programa	Temp. max. (°C)	Velocidad máx. (r.p.m.)	Detergentes				Carga máx. (Kg.)		Duración del ciclo	
				Prelavado	Lavado	Blanqueador	Suavizante	Normal	Eco Time	Normal	Eco Time
Diario (programas para todos los días)											
1	Prelavado Algodón: blancos sumamente sucios.	90°	800	●	●	-	●	6	-	164	-
2	Algodón: blancos sumamente sucios.	90°	800	-	●	●	●	6	-	145	-
2	Algodón (1): blancos y colores resistentes muy sucios.	60°	800	-	●	●	●	6	-	137	-
2	Algodón (2): blancos y colores delicados muy sucios.	40°	800	-	●	●	●	6	-	123	-
3	Algodón: blancos sumamente sucios.	60°	800	-	●	●	●	6	3,25	119	104
4	Algodón de color (3): blancos poco sucios y colores delicados.	40°	800	-	●	●	●	6	3,25	89	71
5	Sintético: colores resistentes muy sucios.	60°	800	-	●	●	●	2,5	2	85	72
Programas Especiales											
6	Lana: para lana, cachemira, etc.	40°	600	-	●	-	●	1,5	-	55	-
7	Seda/Cortinas: para prendas de seda, viscosa, lencería.	30°	0	-	●	-	●	1	-	55	-
8	Jeans	40°	800	-	●	-	●	3	-	70	-
9	Express: para refrescar rápidamente prendas poco sucias (no se aconseja utilizarlo para lana, seda y prendas para lavar a mano).	30°	800	-	●	-	●	1,5	-	15	-
10	Outwear	30°	400	-	●	-	-	2	-	46	-
Sport											
11	Sport Intensive	30°	600	-	●	-	●	3	-	78	-
12	Sport Light	30°	600	-	●	-	●	3	-	68	-
13	Sport Shoes	30°	600	-	●	-	●	Max.2 pares	-	50	-
Programas Parciales											
	Aclarado	-	800	-	-	●	●	6	-	36	-
	Centrifugado	-	800	-	-	-	-	6	-	16	-
	Descarga	-	0	-	-	-	-	6	-	2	-

Los datos contenidos en la tabla tienen un valor indicativo.

Para todos los Test Institutes:

- 1) Programa de control según la norma EN 60456: seleccione el programa 2 con una temperatura de 60°C.
- 2) Programa algodón largo: seleccione el programa 2 con una temperatura de 40°C.
- 3) Programa algodón corto: seleccione el programa 4 con una temperatura de 40°C.

Programas particulares

Express (programa 9) fue estudiado para lavar prendas ligeramente sucias y en poco tiempo: dura sólo 15 minutos y de esa manera permite ahorrar energía y tiempo. Seleccionando el programa (9 a 30°C) es posible lavar conjuntamente tejidos de distinto tipo (excluidas lana y seda), con una carga máxima de 1,5 kg.

Outwear (programa 10) ha sido estudiado para lavar tejidos repelentes al agua y anoraks (por ej.: goretex, poliéster, nylon); para obtener los mejores resultados, utilice detergente líquido y en la dosis correspondiente a la media carga; trate previamente los puños, cuellos y manchas y no utilice suavizante o detergentes con suavizante. *Con este programa no se pueden lavar los edredones acolchados.*

Sport Intensive (programa 11) ha sido estudiado para lavar tejidos usados en prendas deportivas (chándales, pantalones cortos, etc.) muy sucios; para obtener los mejores resultados es aconsejable no superar la carga máxima indicada en la "Tabla de programas".

Sport Light (programa 12) ha sido estudiado para lavar tejidos usados en prendas deportivas (chándales, pantalones cortos, etc.) poco sucios; para obtener los mejores resultados es aconsejable no superar la carga máxima indicada en la "Tabla de programas". Se recomienda utilizar detergente líquido y la dosis correspondiente a la media carga.

Sport Shoes (programa 13) ha sido estudiado para lavar calzado deportivo; para obtener los mejores resultados no lave más de 2 pares a la vez.

Antiarrugas

Esta función interrumpe el programa de lavado **manteniendo la ropa en remojo en el agua antes de la descarga.**

Se puede activar sólo en el programa 7 (Seda/Cortinas) y sirve para evitar la formación de arrugas.

Para completar el ciclo presione el botón PUESTA EN MARCHA/PAUSA.

Seleccionar la temperatura

Girando el mando de la TEMPERATURA se selecciona la temperatura de lavado (ver la *Tabla de programas*). La temperatura se puede disminuir hasta el lavado en frío (❄).

La máquina impedirá automáticamente seleccionar una temperatura mayor que la máxima prevista para cada programa.

Seleccionar el centrifugado

Girando el mando de CENTRIFUGADO se selecciona la velocidad de centrifugado del programa seleccionado. Las velocidades máximas previstas para los programas son:

Programas	Velocidad máxima
Algodón	800 r.p.m.
Sintéticos	800 r.p.m.
Lana	600 r.p.m.
Seda	sólo descarga

Se puede disminuir la velocidad de centrifugado o excluirlo seleccionando el símbolo (⊘).

La máquina impedirá automáticamente efectuar un centrifugado a una velocidad mayor que la máxima prevista para cada programa.

Funciones

Las distintas funciones de lavado previstas por la lavadora permiten obtener la limpieza y el blanco deseados. Para activar las funciones:




1. presione el botón correspondiente a la función deseada;
2. el encendido del piloto correspondiente indica que la función está activa.

Nota: El centelleo rápido del piloto indica que la función correspondiente no se puede seleccionar para el programa elegido.

EcoTime



Seleccionando esta opción, se optimizan el movimiento mecánico, la temperatura y el agua para una carga reducida de prendas de algodón y sintéticas poco sucias (ver la "*Tabla de programas*").

Con "EcoTime" se puede lavar en un tiempo menor, ahorrando agua y energía. Se aconseja utilizar una dosis de detergente líquido adecuada a la cantidad de carga.

! No se puede activar con los programas 1, 2, 6, 7, 8, 9, 10, 11, 12, 13, , , .

Antimancha

Ciclo de blanqueo adecuado para eliminar las manchas más resistentes. Recuerde verter el blanqueador en la cubeta adicional 4 (ver "*Ciclo de blanqueo*").

! No se puede activar con los programas 1, 6, 7, 8, 9, 10, 11, 12, 13, , .

Aclarado extra

Al elegir esta función aumentará la eficacia del aclarado y se asegurará la máxima eliminación del detergente. Es útil para pieles particularmente sensibles.

! No se puede activar con los programas 9, , .

Comienzo retrasado

Retrasa la puesta en marcha de la máquina hasta 12 horas.

Presione varias veces el botón hasta hacer encender la luz testigo correspondiente al retraso deseado. La quinta vez que se presione el botón, la función se desactivará.

Nota: Una vez presionado el botón PUESTA EN MARCHA/PAUSA, se puede modificar el valor del retraso sólo disminuyéndolo hasta que se ponga en marcha el programa seleccionado.

! Se puede utilizar en todos los programas.

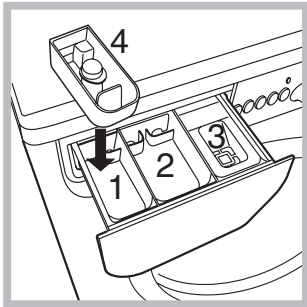
Detergentes y ropa

ES

Contenedor de detergentes

El buen resultado del lavado depende también de la correcta dosificación del detergente: si se excede la cantidad, no se lava de manera más eficaz, sino que se contribuye a encostrar las partes internas de la lavadora y a contaminar el medio ambiente.

! No use detergentes para el lavado a mano porque producen demasiada espuma.



Extraiga el contenedor de detergentes e introduzca el detergente o el aditivo de la siguiente manera:

cubeta 1: Detergente para prelavado (en polvo)

Antes de verter el detergente, verifique que no esté colocada la cubeta adicional 4.

cubeta 2: Detergente para lavado (en polvo o líquido)

El detergente líquido se debe verter sólo antes de la puesta en marcha.

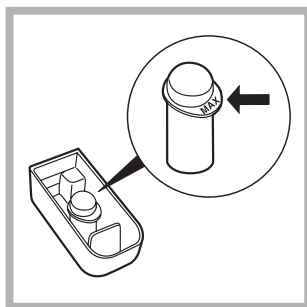
cubeta 3: Aditivos (suavizante, etc.)

El suavizante no se debe volcar fuera de la rejilla.

cubeta adicional 4: Blanqueador

Ciclo de blanqueo

! El blanqueador **tradicional** debe utilizarse para los tejidos resistentes blancos, mientras que el **delicado** debe utilizarse para la lana y los tejidos coloreados y sintéticos.



Introduzca la cubeta adicional 4 suministrada con el aparato, en la cubeta 1.

Al verter el blanqueador no debe superar el nivel "máx." indicado en el perno central (véase la figura).

Para realizar sólo el blanqueo, vierta el blanqueador en la cubeta adicional 4, seleccione el programa "Aclarado" y active la función "Antimancha" .

Para blanquear durante el lavado, vierta el detergente y los aditivos, seleccione el programa deseado y active la función "Antimancha" .

El uso de la cubeta adicional 4 excluye el prelavado.

Preparar la ropa

- Subdivida la ropa según:
 - el tipo de tejido / el símbolo en la etiqueta.
 - los colores: separe las prendas de color y las blancas.
- Vacíe los bolsillos y controle los botones.
- No supere los valores indicados, referidos al peso de la ropa seca:
 - Tejidos resistentes: max 6 kg.
 - Tejidos sintéticos: max 2,5 kg.
 - Tejidos delicados: max 2 kg.
 - Lana: max 1,5 kg.
 - Seda: max 1 kg.

¿Cuánto pesa la ropa?

- 1 sábana 400/500 g
- 1 funda 150/200 g
- 1 mantel 400/500 g
- 1 albornoz 900/1200 g
- 1 toalla 150/250 g

Prendas especiales

Lana: con el programa 6 es posible lavar en la lavadora todas las prendas de lana, aún las que contienen la etiqueta "sólo lavado a mano" . Para obtener los mejores resultados utilice un detergente específico y no supere 1,5 Kg. de ropa.

Seda: utilice el programa correspondiente 7 para lavar todas las prendas de seda. Se aconseja el uso de un detergente específico para prendas delicadas.

Cortinas: pliéguelas y colóquelas dentro de una funda o de una bolsa de red. Utilice el programa 7.

Jeans: vuelva del revés las prendas antes del lavado y utilice un detergente líquido. Utilice el programa 8.

Sistema de equilibrado de la carga

Antes de cada centrifugado, para evitar vibraciones excesivas y para distribuir la carga de modo uniforme, el cesto realiza rotaciones a una velocidad ligeramente superior a la del lavado. Si después de varios intentos, la carga todavía no está correctamente equilibrada, la máquina realiza el centrifugado a una velocidad inferior a la prevista. Cuando existe un excesivo desequilibrio, la lavadora realiza la distribución antes que el centrifugado. Para obtener una mejor distribución de la carga y su correcto equilibrado, se aconseja mezclar prendas grandes y pequeñas.

! La lavadora fue proyectada y fabricada en conformidad con las normas internacionales de seguridad. Estas advertencias se suministran por razones de seguridad y deben ser leídas atentamente.

Seguridad general

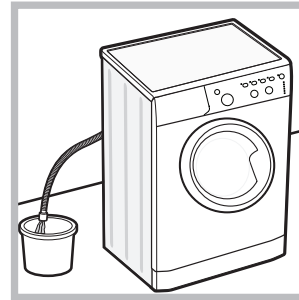
- Este aparato ha sido fabricado para un uso de tipo doméstico exclusivamente.
- La lavadora debe ser utilizada sólo por personas adultas y siguiendo las instrucciones contenidas en este manual.
- No toque la máquina con los pies desnudos ni con las manos o los pies mojados o húmedos.
- No desenchufe la máquina tirando el cable, sino tomando el enchufe.
- No abra el contenedor de detergentes mientras la máquina está en funcionamiento.
- No toque el agua de descarga porque puede alcanzar temperaturas elevadas.
- En ningún caso fuerce la puerta: podría dañarse el mecanismo de seguridad que la protege de aperturas accidentales.
- En caso de avería, no acceda nunca a los mecanismos internos para intentar una reparación.
- Controle siempre que los niños no se acerquen a la máquina cuando está en funcionamiento.
- Durante el lavado, la puerta tiende a calentarse.
- Si debe ser trasladada, deberán intervenir dos o más personas, procediendo con el máximo cuidado. La máquina no debe ser desplazada nunca por una sola persona ya que es muy pesada.
- Antes de introducir la ropa controle que el cesto esté vacío.

Eliminaciones

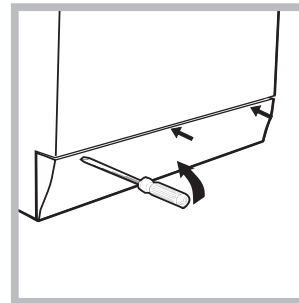
- Eliminación del material de embalaje: respete las normas locales, de ese modo, los embalajes podrán volver a ser utilizados.
- En base a la Norma europea 2002/96/CE de Residuos de aparatos Eléctricos y Electrónicos, los electrodomésticos viejos no pueden ser arrojados en los contenedores municipales habituales; tienen que ser recogidos selectivamente para optimizar la recuperación y reciclado de los componentes y materiales que los constituyen, y reducir el impacto en la salud humana y el medioambiente. El símbolo del cubo de basura tachado se marca sobre todos los productos para recordar al consumidor la obligación de separarlos para la recogida selectiva. El consumidor debe contactar con la autoridad local o con el vendedor para informarse en relación a la correcta eliminación de su electrodoméstico viejo.

Apertura manual de la puerta

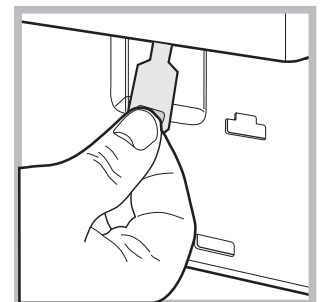
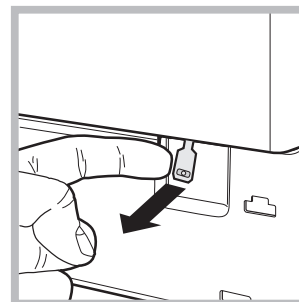
Si desea sacar la ropa de la lavadora y no es posible abrir la puerta debido a un corte de energía eléctrica, proceda del siguiente modo:



1. desenchufe la máquina.
2. verifique que el nivel de agua en el interior de la máquina sea inferior al hueco de la puerta; si no es así, extraiga el agua en exceso utilizando el tubo de descarga y recogiéndola en un balde como se indica en la figura.



3. quite el panel de cobertura delantero de la lavadora con la ayuda de un destornillador (ver la figura).



4. utilizando la lengüeta indicada en la figura, tire hacia fuera hasta liberar la varilla de plástico del retén; posteriormente tire hacia abajo y simultáneamente abra la puerta.

5. vuelva a montar el panel verificando, antes de empujarlo hacia la máquina, que los ganchos se hayan introducido en las correspondientes ranuras.

Mantenimiento y cuidados

ES

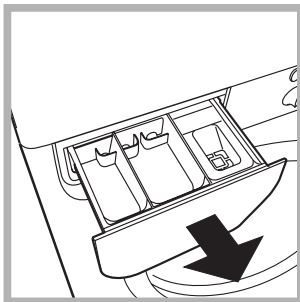
Interrumpir el agua y la corriente eléctrica

- Cierre el grifo de agua después de cada lavado. De este modo se limita el desgaste de la instalación hidráulica de la lavadora y se elimina el peligro de pérdidas.
- Desenchufe la máquina cuando la debe limpiar y durante los trabajos de mantenimiento.

Limpiar la lavadora

La parte externa y las partes de goma se pueden limpiar con un paño embebido en agua tibia y jabón. No use solventes ni productos abrasivos.

Limpiar el contenedor de detergentes



Extraiga el contenedor levantándolo y tirándolo hacia fuera (ver la figura). Lávelo debajo del agua corriente, esta limpieza se debe realizar frecuentemente.

Cuidar la puerta y el cesto

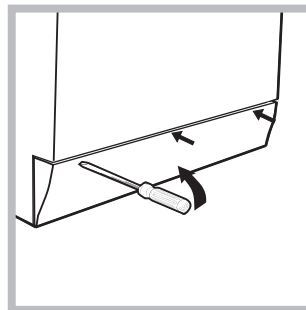
- Deje siempre semicerrada la puerta para evitar que se formen malos olores.

Limpiar la bomba

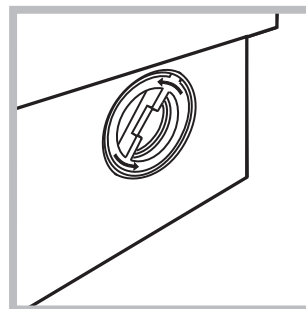
La lavadora posee una bomba autolimpiante que no necesita mantenimiento. Pero puede suceder que objetos pequeños (monedas, botones) caigan en la precámara que protege la bomba, situada en la parte inferior de la misma.

! Verifique que el ciclo de lavado haya terminado y desenchufe la máquina.

Para acceder a la precámara:



1. quite el panel que cubre la parte delantera de la lavadora con la ayuda de un destornillador (ver la figura);



2. desenrosque la tapa girándola en sentido antihorario (ver la figura): es normal que se vuelque un poco de agua;

3. limpie con cuidado el interior;
4. vuelva a enroscar la tapa;
5. vuelva a montar el panel verificando, antes de empujarlo hacia la máquina, que los ganchos se hayan introducido en las correspondientes ranuras.

Controlar el tubo de alimentación de agua

Controle el tubo de alimentación al menos una vez al año. Si presenta grietas o rajaduras debe ser sustituido: durante los lavados, las fuertes presiones podrían provocar roturas imprevistas.

! No utilice nunca tubos ya usados.

Puede suceder que la lavadora no funcione. Antes de llamar al Servicio de Asistencia Técnica (ver "Asistencia"), controle que no se trate de un problema de fácil solución utilizando la siguiente lista.

Anomalías:

Posibles causas / Solución:

La lavadora no se enciende.

- El enchufe no está introducido en la toma de corriente, o no hace contacto.
- En la casa no hay corriente.

El ciclo de lavado no comienza.

- La puerta no está correctamente cerrada.
- El botón ENCENDIDO/APAGADO no ha sido presionado.
- El botón PUESTA EN MARCHA/PAUSA no ha sido presionado.
- El grifo de agua no está abierto.
- Se fijó un retraso de la hora de puesta en marcha (ver "Personalizaciones").

La lavadora no carga agua (centellea rápidamente el piloto de la primera fase de lavado).

- El tubo de alimentación de agua no está conectado al grifo.
- El tubo está plegado.
- El grifo de agua no está abierto.
- En la casa no hay agua.
- No hay suficiente presión.
- El botón PUESTA EN MARCHA/PAUSA no ha sido presionado.

La lavadora carga y descarga agua continuamente.

- El tubo de descarga no está instalado entre los 65 y 100 cm. del suelo (ver "Instalación").
 - El extremo del tubo de descarga está sumergido en el agua (ver "Instalación").
 - La descarga de pared no posee un respiradero.
- Si después de estas verificaciones, el problema no se resuelve, cierre el grifo de agua, apague la lavadora y llame a la Asistencia. Si la vivienda se encuentra en uno de los últimos pisos de un edificio, es posible que se verifiquen fenómenos de sifonaje, por ello la lavadora carga y descarga agua de modo continuo. Para eliminar este inconveniente se encuentran disponibles en el comercio válvulas especiales que permiten evitar el sifonaje.

La lavadora no descarga o no centrifuga.

- El programa no prevé la descarga: con algunos programas es necesario ponerla en marcha manualmente.
- Se puede utilizar la función "Antiarrugas": para completar el programa, pulse el botón PUESTA EN MARCHA/PAUSA ("Personalizaciones").
- El tubo de descarga está plegado (ver "Instalación").
- El conducto de descarga está obstruido.

La lavadora vibra mucho durante la centrifugación.

- El cesto, en el momento de la instalación, no fue desbloqueado correctamente (ver "Instalación").
- La máquina no está instalada en un lugar plano (ver "Instalación").
- Existe muy poco espacio entre la máquina, los muebles y la pared (ver "Instalación").

La lavadora pierde agua.

- El tubo de alimentación de agua no está bien enroscado (ver "Instalación").
- El contenedor de detergentes está obstruido (para limpiarlo ver "Mantenimiento y cuidados").
- El tubo de descarga no está bien fijado (ver "Instalación").

Los pilotos de las "fases de lavado" y el de la PUERTA BLOQUEADA centellean rápidamente.

- Apague la máquina y desenchúfela, espere aproximadamente 1 minuto y luego vuelva a encenderla.
Si la anomalía persiste, llame al Servicio de Asistencia Técnica.

Se forma demasiada espuma.

- El detergente no es específico para la lavadora (debe contener algunas de las frases "para lavadora", "a mano o en lavadora" o similares).
- La dosificación fue excesiva.

Asistencia

ES

Antes de llamar al Servicio de Asistencia Técnica:

- Verifique si la anomalía la puede resolver Ud. solo (ver "Anomalías y soluciones");
- Vuelva a poner en marcha el programa para controlar si el inconveniente fue resuelto;
- Si no es así, llame al Servicio de Asistencia técnica autorizado, al número de teléfono indicado en el certificado de garantía.

! No recurra nunca a técnicos no autorizados.

Comuníquese:

- el tipo de anomalía;
- el modelo de la máquina (Mod.);
- el número de serie (S/N).

Esta información se encuentra en la placa aplicada en la parte posterior de la lavadora y en la parte delantera abriendo la puerta.

La siguiente información es válida solo para España.

Para otros países de habla hispana consulte a su vendedor.

Ampliación de garantía

Llame al **902.363.539** y le informaremos sobre el fantástico plan de ampliación de garantía hasta 5 años. Consiga una cobertura total adicional de

- Piezas y componentes
- Mano de obra de los técnicos
- Desplazamiento a su domicilio de los técnicos

Y NO PAGUE AVERIAS NUNCA MAS

Servicio de asistencia técnica (SAT)

Llame al **902.133.133** y nuestros técnicos intervendrán con rapidez y eficacia, devolviendo el electrodoméstico a sus condiciones óptimas de funcionamiento.

En el SAT encontrará recambios, accesorios y productos específicos para la limpieza y mantenimiento de su electrodoméstico a precios competitivos.

ESTAMOS A SU SERVICIO



Italiano

IWC 6083

Sommario

Installazione, 26-27

Disimballo e livellamento
Collegamenti idraulici ed elettrici
Primo ciclo di lavaggio
Dati tecnici

Descrizione della lavabiancheria e avviare un programma, 28-29

Pannello di controllo
Spie
Avviare un programma

Programmi, 30

Tabella dei programmi

Personalizzazioni, 31

Impostare la temperatura
Impostare la centrifuga
Opzioni

Detersivi e biancheria, 32

Cassetto dei detersivi
Ciclo candeggio
Preparare la biancheria
Capi particolari
Sistema bilanciamento del carico

Precauzioni e consigli, 33

Sicurezza generale
Smaltimento
Apertura manuale della porta oblò

Manutenzione e cura, 34

Escludere acqua e corrente elettrica
Pulire la lavabiancheria
Pulire il cassetto dei detersivi
Curare oblò e cestello
Pulire la pompa
Controllare il tubo di alimentazione dell'acqua

Anomalie e rimedi, 35

Assistenza, 36

Assistenza Attiva 7 giorni su 7

Installazione

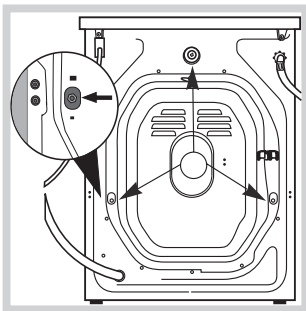
! È importante conservare questo libretto per poterlo consultare in ogni momento. In caso di vendita, di cessione o di trasloco, assicurarsi che resti insieme alla lavabiancheria per informare il nuovo proprietario sul funzionamento e sui relativi avvertimenti.

! Leggere attentamente le istruzioni: ci sono importanti informazioni sull'installazione, sull'uso e sulla sicurezza.

Disimballo e livellamento

Disimballo

1. Disimballare la lavabiancheria.
2. Controllare che la lavabiancheria non abbia subito danni nel trasporto. Se fosse danneggiata non collegarla e contattare il rivenditore.



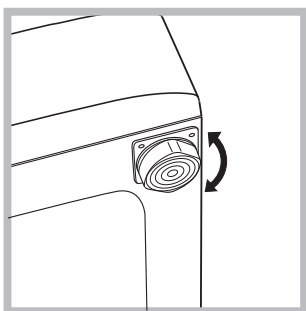
3. Rimuovere le 3 viti di protezione per il trasporto e il gommino con il relativo distanziale, posti nella parte posteriore (vedi figura).

4. Chiudere i fori con i tappi di plastica in dotazione.
5. Conservare tutti i pezzi: qualora la lavabiancheria debba essere trasportata, dovranno essere rimontati.

! Gli imballaggi non sono giocattoli per bambini.

Livellamento

1. Installare la lavabiancheria su un pavimento piano e rigido, senza appoggiarla a muri, mobili o altro.

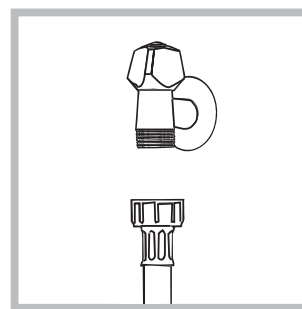


2. Se il pavimento non fosse perfettamente orizzontale, compensare le irregolarità svitando o avvitando i piedini anteriori (vedi figura); l'angolo di inclinazione, misurato sul piano di lavoro, non deve superare i 2°.

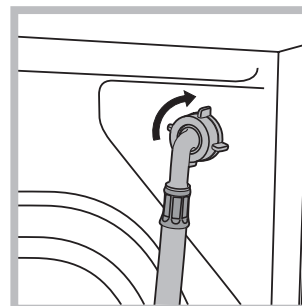
Un accurato livellamento dà stabilità alla macchina ed evita vibrazioni, rumori e spostamenti durante il funzionamento. In caso di moquette o di un tappeto, regolare i piedini in modo da conservare sotto la lavabiancheria uno spazio sufficiente per la ventilazione.

Collegamenti idraulici ed elettrici

Collegamento del tubo di alimentazione dell'acqua



1. Collegare il tubo di alimentazione avvitandolo a un rubinetto d'acqua fredda con bocca filettata da 3/4 gas (vedi figura). Prima di allacciare, far scorrere l'acqua finché non sia limpida.



2. Collegare il tubo di alimentazione alla lavabiancheria avvitandolo all'apposita presa d'acqua, nella parte posteriore in alto a destra (vedi figura).

3. Fare attenzione che nel tubo non ci siano né pieghe né strozzature.

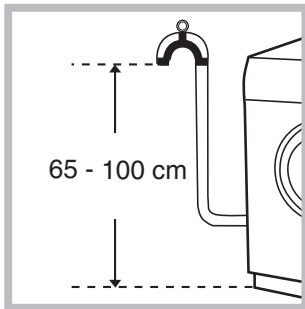
! La pressione idrica del rubinetto deve essere compresa nei valori della tabella Dati tecnici (vedi pagina a fianco).

! Se la lunghezza del tubo di alimentazione non fosse sufficiente, rivolgersi a un negozio specializzato o a un tecnico autorizzato.

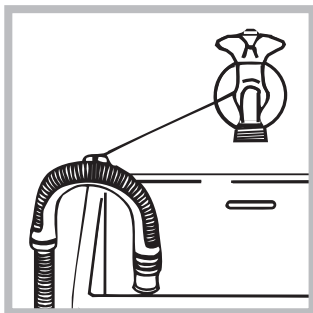
! Non utilizzare mai tubi già usati.

! Utilizzare quelli in dotazione alla macchina.

Collegamento del tubo di scarico



Collegare il tubo di scarico, senza piegarlo, a una condotta di scarico o a uno scarico a muro posti tra 65 e 100 cm da terra;



oppure appoggiarlo al bordo di un lavandino o di una vasca, legando la guida in dotazione al rubinetto (*vedi figura*). L'estremità libera del tubo di scarico non deve rimanere immersa nell'acqua.

! È sconsigliato usare tubi di prolunga; se indispensabile, la prolunga deve avere lo stesso diametro del tubo originale e non superare i 150 cm.

Collegamento elettrico

Prima di inserire la spina nella presa della corrente, accertarsi che:

- la presa abbia la messa a terra e sia a norma di legge;
- la presa sia in grado di sopportare il carico massimo di potenza della macchina, indicato nella tabella Dati tecnici (*vedi a fianco*);
- la tensione di alimentazione sia compresa nei valori indicati nella tabella Dati tecnici (*vedi a fianco*);
- la presa sia compatibile con la spina della lavabiancheria. In caso contrario sostituire la presa o la spina.

! La lavabiancheria non va installata all'aperto, nemmeno se lo spazio è riparato, perché è molto pericoloso lasciarla esposta a pioggia e temporali.

! A lavabiancheria installata, la presa della corrente deve essere facilmente raggiungibile.

! Non usare prolunghie e multiple.

! Il cavo non deve subire piegature o compressioni.

! Il cavo di alimentazione deve essere sostituito solo da tecnici autorizzati.

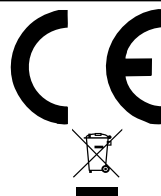
Attenzione! L'azienda declina ogni responsabilità qualora queste norme non vengano rispettate.

Primo ciclo di lavaggio

Dopo l'installazione, prima dell'uso, effettuare un ciclo di lavaggio con detersivo e senza biancheria impostando il programma **3**.

Dati tecnici

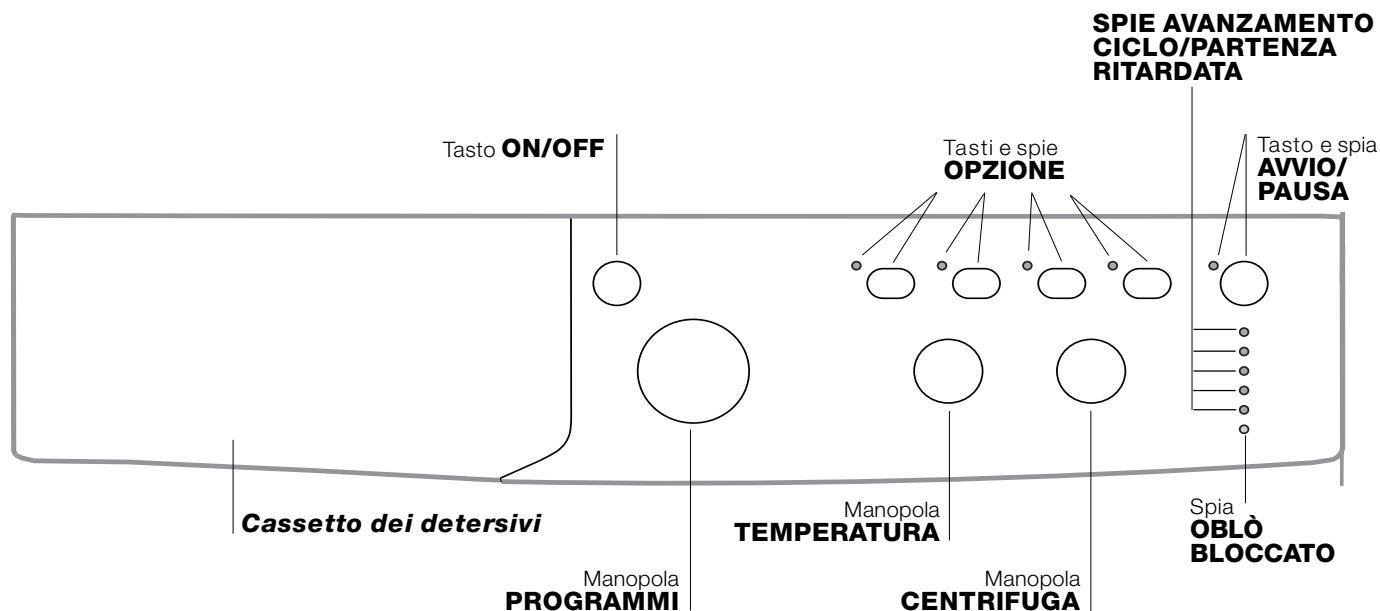
Modello	IWC 6083
Dimensioni	larghezza cm 59,5 altezza cm 85 profondità cm 52,5
Capacità	da 1 a 6 kg
Collegamenti elettrici	vedi la targhetta caratteristiche tecniche applicata sulla macchina
Collegamenti idrici	pressione massima 1 MPa (10 bar) pressione minima 0,05 MPa (0,5 bar) capacità del cesto 46 litri
Velocità di centrifuga	sino a 800 giri al minuto
Programmi di controllo secondo la norma EN 60456	programma 2; temperatura 60°C; effettuato con 6 kg di carico.



Questa apparecchiatura è conforme alle seguenti Direttive Comunitarie:
- 89/336/CEE del 03/05/89 (Compatibilità Elettromagnetica) e successive modificazioni
- 2002/96/CE
- 2006/95/CE (Bassa Tensione)

Descrizione della lavabiancheria e avviare un programma

Pannello di controllo



Cassetto dei detersivi: per caricare detersivi e additivi (vedi "Detersivi e biancheria").

Tasto **ON/OFF:** per accendere e spegnere la lavabiancheria.

Manopola **PROGRAMMI:** per impostare i programmi. Durante il programma la manopola resterà ferma.

Tasti e spie **OPZIONE:** per selezionare le opzioni disponibili. La spia relativa all'opzione selezionata rimarrà accesa.

Manopola **CENTRIFUGA:** per impostare la centrifuga o escluderla (vedi "Personalizzazioni").

Manopola **TEMPERATURA:** per impostare la temperatura o il lavaggio a freddo (vedi "Personalizzazioni").


SPIE AVANZAMENTO CICLO/PARTENZA RITARDATA: per seguire lo stato di avanzamento del programma di lavaggio.

La spia accesa indica la fase in corso.

Se è stata impostata l'opzione "Partenza Ritardata", indicheranno il tempo mancante all'avvio del programma (vedi pagina a fianco).

Spia **OBLÒ BLOCCATO:** per capire se l'oblò è apribile (vedi pagina a fianco).

Tasto e spia **AVVIO/PAUSA:** per avviare i programmi o interromperli momentaneamente.

N.B.: per mettere in pausa il lavaggio in corso, premere questo tasto, la spia relativa lampeggerà con colore arancione mentre quella della fase in corso sarà accesa fissa. Se la spia OBLÒ BLOCCATO  sarà spenta, si potrà aprire l'oblò. Per far ripartire il lavaggio dal punto in cui è stato interrotto, premere nuovamente questo tasto.

Spie

Le spie forniscono informazioni importanti. Ecco che cosa dicono:

Partenza ritardata

Se è stata attivata l'opzione "Partenza ritardata" (vedi "Personalizzazioni"), dopo avere avviato il programma, inizierà a lampeggiare la spia relativa al ritardo selezionato:



Col trascorrere del tempo verrà visualizzato il ritardo residuo con il lampeggio della spia relativa:



Trascorso il ritardo selezionato avrà inizio il programma impostato.

Spie fase in corso

Una volta selezionato e avviato il ciclo di lavaggio desiderato, le spie si accenderanno progressivamente per indicarne lo stato di avanzamento:



Tasti opzione e relative spie

Selezionando un'opzione la spia relativa si illuminerà. Se l'opzione selezionata non è compatibile con il programma impostato la spia relativa lampeggerà e l'opzione non verrà attivata.

Se l'opzione selezionata non è compatibile con un'altra precedentemente impostata, la spia relativa alla prima funzione selezionata lampeggerà e verrà attivata solo la seconda, la spia dell'opzione attivata si illuminerà.


Spia oblò bloccato

La spia accesa indica che l'oblò è bloccato per impedire l'apertura; per aprire l'oblò è necessario che la spia sia spenta (attendere 3 minuti circa). Per aprire l'oblò mentre un ciclo è in corso premere il pulsante AVVIO/PAUSA; se la spia OBLÒ BLOCCATO è spenta sarà possibile aprire l'oblò.

N.B.: se è attiva l'opzione "Partenza Ritardata" l'oblò non si può aprire, per aprirlo mettere la macchina in pausa premendo il tasto AVVIO/PAUSA.



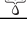
! Il lampeggio veloce delle spie delle "fasi di lavaggio" e quella dell'OBLÒ BLOCCATO segnalano un'anomalia (vedi "Anomalie e rimedi").

Avviare un programma

1. Accendere la lavabiancheria premendo il tasto ON/OFF. Tutte le spie si accenderanno per qualche secondo, poi si spegneranno e pulserà la spia AVVIO/PAUSA.
2. Caricare la biancheria e chiudere l'oblò.
3. Impostare con la manopola PROGRAMMI il programma desiderato.
4. Impostare la temperatura di lavaggio (vedi "Personalizzazioni").
5. Impostare la velocità di centrifuga (vedi "Personalizzazioni").
6. Versare detersivo e additivi (vedi "Detersivi e biancheria").
7. Selezionare le opzioni desiderate.
8. Avviare il programma premendo il tasto AVVIO/PAUSA e la spia relativa rimarrà accesa fissa di colore verde. Per annullare il ciclo impostato mettere la macchina in pausa premendo il tasto AVVIO/PAUSA e scegliere un nuovo ciclo.
9. Al termine del programma si illuminerà la spia END. Quando la spia OBLÒ BLOCCATO  si spegnerà sarà possibile aprire l'oblò. Estrarre la biancheria e lasciare l'oblò socchiuso per far asciugare il cestello. Spegnerne la lavabiancheria premendo il tasto ON/OFF.

Programmi

Tabella dei programmi

Programmi	Descrizione del Programma	Temp. max. (°C)	Velocità max. (giri al minuto)	Detersivi				Carico max. (Kg)		Durata ciclo	
				Prelavaggio	Lavaggio	Candegina	Ammorbidente	Nor-male	Eco Time	Nor-male	Eco Time
Giornalieri											
1	Cotone con prelavaggio: bianchi estremamente sporchi.	90°	800	●	●	-	●	6	-	164	-
2	Cotone bianchi: bianchi estremamente sporchi.	90°	800	-	●	●	●	6	-	145	-
2	Cotone bianchi (1): bianchi e colorati resistenti molto sporchi.	60°	800	-	●	●	●	6	-	137	-
2	Cotone bianchi (2): bianchi e colorati delicati molto sporchi.	40°	800	-	●	●	●	6	-	123	-
3	Cotone: bianchi e colorati resistenti molto sporchi.	60°	800	-	●	●	●	6	3,25	119	104
4	Cotone Colorati (3): bianchi poco sporchi e colori delicati.	40°	800	-	●	●	●	6	3,25	89	71
5	Sintetici: colori resistenti poco sporchi.	60°	800	-	●	●	●	2,5	2	85	72
Speciali											
6	Lana: per lana, cachemire, ecc.	40°	600	-	●	-	●	1,5	-	55	-
7	Seta/Tende: per capi in seta, viscosa, lingerie.	30°	0	-	●	-	●	1	-	55	-
8	Jeans	40°	800	-	●	-	●	3	-	70	-
9	Express: Per rinfrescare rapidamente capi poco sporchi (non indicato per lana, seta e capi da lavare a mano).	30°	800	-	●	-	●	1,5	-	15	-
10	Tessuti Tecnici	30°	400	-	●	-	-	2	-	46	-
Sport											
11	Sport Intensive	30°	600	-	●	-	●	3	-	78	-
12	Sport Light	30°	600	-	●	-	●	3	-	68	-
13	Sport Shoes	30°	600	-	●	-	●	Max. 2 paia	-	50	-
Parziali											
	Risciacquo	-	800	-	-	●	●	6	-	36	-
	Centrifuga	-	800	-	-	-	-	6	-	16	-
	Scarico	-	0	-	-	-	-	6	-	2	-

I dati riportati nella tabella hanno valore indicativo.

Per tutti Test Institutes:

- 1) Programma di controllo secondo la norma EN 60456: impostare il programma 2 con una temperatura di 60°C.
- 2) Programma cotone lungo: impostare il programma 2 con una temperatura di 40°C.
- 3) Programma cotone corto: impostare il programma 4 con una temperatura di 40°C.

Programmi particolari

Express (programma 9) è studiato per lavare capi leggermente sporchi in poco tempo: dura solo 15 minuti e fa così risparmiare energia e tempo. Impostando il programma (9 a 30°C) è possibile lavare insieme tessuti di diversa natura (esclusi lana e seta) con un carico massimo di 1,5 kg.

Outwear (programma 10) è studiato per lavare tessuti idrorepellenti e giacche a vento (es. goretex, poliestere, nylon); per ottenere i migliori risultati utilizzare detersivo liquido e usare una dose adatta a mezzo carico; pretrattare polsini, colli e macchie; non utilizzare ammorbidente o detersivi con ammorbidente. *Con questo programma non si possono lavare i piumini imbottiti.*

Sport Intensive (programma 11) è studiato per lavare tessuti per abbigliamento sportivo (tute, calzoncini, ecc.) molto sporchi; per ottenere i migliori risultati è consigliabile non superare il carico massimo indicato nella "Tabella dei programmi".

Sport Light (programma 12) è studiato per lavare tessuti per abbigliamento sportivo (tute, calzoncini, ecc.) poco sporchi; per ottenere i migliori risultati è consigliabile non superare il carico massimo indicato nella "Tabella dei programmi". Si raccomanda di usare detersivo liquido, usare una dose adatta a mezzo carico.

Sport Shoes (programma 13) è studiato per lavare scarpe sportive; per ottenere i migliori risultati non lavarne più di 2 paia.

Antipiega

Questa funzione interrompe il programma di lavaggio **mantenendo la biancheria in ammollo nell'acqua prima dello scarico**. E' attiva solo nel programma 7 (Seta/Tende) e serve per evitare la formazione di pieghe. Per completare il ciclo premere il tasto AVVIO/PAUSA.

Impostare la temperatura

Ruotando la manopola TEMPERATURA si imposta la temperatura di lavaggio (vedi *Tabella programmi*).

La temperatura si può ridurre sino al lavaggio a freddo ❄️.

La macchina impedirà automaticamente di impostare una temperatura maggiore a quella massima prevista per ogni programma.

Impostare la centrifuga

Ruotando la manopola CENTRIFUGA si imposta la velocità di centrifuga del programma selezionato.

Le velocità massime previste per i programmi sono:

Programmi	Velocità massima
Cotone	800 giri al minuto
Sintetici	800 giri al minuto
Lana	600 giri al minuto
Seta	solo scarico

La velocità di centrifuga può essere ridotta, oppure esclusa selezionando il simbolo ⌘.

La macchina impedirà automaticamente di effettuare una centrifuga maggiore a quella massima prevista per ogni programma.

Opzioni

Le varie opzioni di lavaggio previste dalla lavabiancheria permettono di ottenere la pulizia e il bianco desiderati.

Per attivare le opzioni:

1. premere il tasto relativo all'opzione desiderata;
2. l'accensione della spia relativa segnala che l'opzione è attiva.

Nota: Il lampeggio veloce della spia indica che l'opzione relativa non è selezionabile per il programma impostato.

EcoTime

Selezionando questa opzione la movimentazione meccanica, la temperatura e l'acqua sono ottimizzate per un carico ridotto di cotone e sintetici poco sporchi (vedi *"Tabella dei programmi"*).

Con "EcoTime" puoi lavare in tempi ridotti, risparmiando acqua ed energia. Si consiglia di utilizzare una dose di detersivo liquido adatta alla quantità di carico.

! Non è attivabile sui programmi 1, 2, 6, 7, 8, 9, 10, 11, 12, 13, 🌀, 🕒, 🌊.

Antimacchia

Ciclo di candeggiamento adatto a eliminare le macchie più resistenti. Ricordarsi di versare la candeggina nella vaschetta aggiuntiva 4 (vedi *"Ciclo candeggiamento"*).

! Non è attivabile sui programmi 1, 6, 7, 8, 9, 10, 11, 12, 13, 🕒, 🌊.

Extra risciacquo

Selezionando questa funzione si aumenta l'efficacia del risciacquo, e si assicura la massima rimozione del detersivo. E' utile per pelli particolarmente sensibili.

! Non è attivabile sui programmi 9, 🕒, 🌊.

Partenza ritardata

Ritarda l'avvio della macchina sino a 12 ore.

Premere più volte il tasto fino a far accendere la spia relativa al ritardo desiderato. Alla quinta pressione del tasto la l'opzione si disattiverà.

N.B.: Una volta premuto il tasto AVVIO/PAUSA, si può modificare il valore del ritardo solo diminuendolo fino ad avviare il programma impostato.

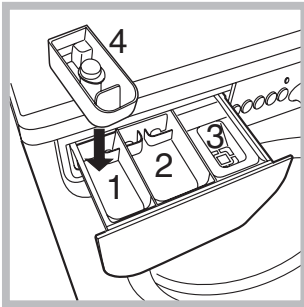
! E' attivo con tutti i programmi.

Detersivi e biancheria

Cassetto dei detersivi

Il buon risultato del lavaggio dipende anche dal corretto dosaggio del detersivo: eccedendo non si lava in modo più efficace e si contribuisce a incrostare le parti interne della lavabiancheria e a inquinare l'ambiente.

! Non usare detersivi per il lavaggio a mano, perché formano troppa schiuma.



Estrarre il cassetto dei detersivi e inserire il detersivo o l'additivo come segue.

vaschetta 1: Detersivo per prelavaggio (in polvere)

Prima di versare il detersivo verificare che non sia inserita la vaschetta aggiuntiva 4.

vaschetta 2: Detersivo per lavaggio (in polvere o liquido)

Il detersivo liquido va versato solo prima dell'avvio.

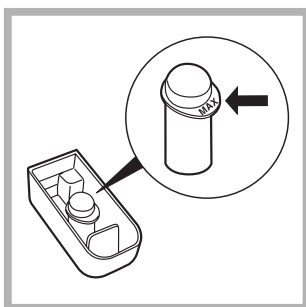
vaschetta 3: Additivi (ammorbidente, ecc.)

L'ammorbidente non deve fuoriuscire dalla griglia.

vaschetta aggiuntiva 4: Candeggina

Ciclo candeggina

! La candeggina **tradizionale** si usa per i tessuti resistenti bianchi, quella **delicata** per i tessuti colorati, i sintetici e per la lana.



Inserire la vaschetta aggiuntiva **4**, in dotazione, nella vaschetta **1**. Nel dosare la candeggina non superare il livello "max" indicato sul perno centrale (vedi figura).

Per effettuare solo il candeggina versare la candeggina nella vaschetta aggiuntiva **4**, impostare il programma "Risciacquo" e attivare la funzione "Antimacchia" .

Per candeggiare durante il lavaggio versare il detersivo e gli additivi, impostare il programma desiderato e attivare la funzione "Antimacchia" .

L'utilizzo della vaschetta aggiuntiva **4** esclude il prelavaggio.

Preparare la biancheria

- Suddividere la biancheria secondo:
 - il tipo di tessuto / il simbolo sull'etichetta.
 - i colori: separare i capi colorati da quelli bianchi.
- Vuotare le tasche e controllare i bottoni.
- Non superare i valori indicati, riferiti al peso della biancheria asciutta:
 - Tessuti resistenti: max 6 kg
 - Tessuti sintetici: max 2,5 kg
 - Tessuti delicati: max 2 kg
 - Lana: max 1,5 kg
 - Seta: max. 1 kg

Quanto pesa la biancheria?

- 1 lenzuolo 400-500 gr.
- 1 federa 150-200 gr.
- 1 tovaglia 400-500 gr.
- 1 accappatoio 900-1.200 gr.
- 1 asciugamano 150-250 gr.

Capi particolari

Lana: con il programma **6** è possibile lavare in lavatrice tutti i capi in lana, anche quelli con l'etichetta "solo lavaggio a mano" . Per ottenere i migliori risultati utilizzare un detersivo specifico e non superare 1,5 kg di bucato.

Seta: utilizzare l'apposito programma **7** per lavare tutti i capi in seta. Si consiglia l'utilizzo di un detersivo specifico per capi delicati.

Tende: si raccomanda di piegarle e sistemarle dentro una federa o un sacchetto a rete. Utilizzare il programma **7**.

Jeans: rovesciare i capi prima del lavaggio ed utilizzare un detersivo liquido. Utilizzare il programma **8**.

Sistema bilanciamento del carico

Prima di ogni centrifuga, per evitare vibrazioni eccessive e per distribuire il carico in modo uniforme, il cestello effettua delle rotazioni ad una velocità leggermente superiore a quella del lavaggio. Se al termine di ripetuti tentativi il carico non fosse ancora correttamente bilanciato la macchina effettua la centrifuga ad una velocità inferiore a quella prevista. In presenza di eccessivo sbilanciamento la lavabiancheria effettua la distribuzione anziché la centrifuga. Per favorire una migliore distribuzione del carico e il suo corretto bilanciamento si consiglia di mescolare capi grandi e piccoli.

! La lavabiancheria è stata progettata e costruita in conformità alle norme internazionali di sicurezza. Queste avvertenze sono fornite per ragioni di sicurezza e devono essere lette attentamente.

Sicurezza generale

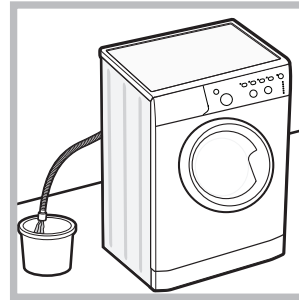
- Questo apparecchio è stato concepito esclusivamente per un uso di tipo domestico.
- La lavabiancheria deve essere usata solo da persone adulte e secondo le istruzioni riportate in questo libretto.
- Non toccare la macchina a piedi nudi o con le mani o i piedi bagnati o umidi.
- Non staccare la spina dalla presa della corrente tirando il cavo, bensì afferrando la spina.
- Non aprire il cassetto dei detersivi mentre la macchina è in funzione.
- Non toccare l'acqua di scarico, che può raggiungere temperature elevate.
- Non forzare in nessun caso l'oblò: potrebbe danneggiarsi il meccanismo di sicurezza che protegge da aperture accidentali.
- In caso di guasto, in nessun caso accedere ai meccanismi interni per tentare una riparazione.
- Controllare sempre che i bambini non si avvicinino alla macchina in funzione.
- Durante il lavaggio l'oblò tende a scaldarsi.
- Se dev'essere spostata, lavorare in due o tre persone con la massima attenzione. Mai da soli perché la macchina è molto pesante.
- Prima di introdurre la biancheria controlla che il cestello sia vuoto.

Smaltimento

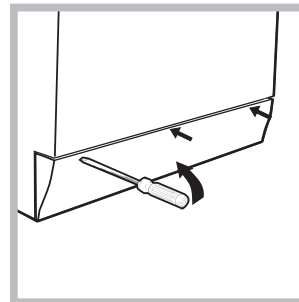
- Smaltimento del materiale di imballaggio: attenersi alle norme locali, così gli imballaggi potranno essere riutilizzati.
- La direttiva Europea 2002/96/CE sui rifiuti di apparecchiature elettriche ed elettroniche, prevede che gli elettrodomestici non debbano essere smaltiti nel normale flusso dei rifiuti solidi urbani. Gli apparecchi dismessi devono essere raccolti separatamente per ottimizzare il tasso di recupero e riciclaggio dei materiali che li compongono ed impedire potenziali danni per la salute e l'ambiente. Il simbolo del cestino barrato è riportato su tutti i prodotti per ricordare gli obblighi di raccolta separata.
Per ulteriori informazioni, sulla corretta dismissione degli elettrodomestici, i detentori potranno rivolgersi al servizio pubblico preposto o ai rivenditori.

Apertura manuale della porta oblò

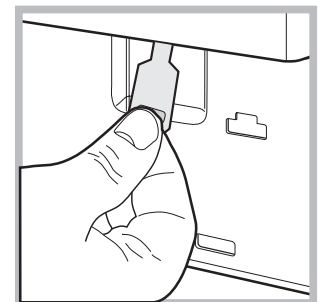
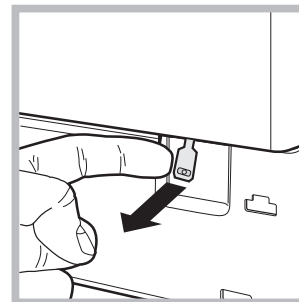
Nel caso non sia possibile aprire la porta oblò a causa della mancanza di energia elettrica e volete stendere il bucato, procedere come segue:



1. togliere la spina dalla presa di corrente.
2. verificare che il livello dell'acqua all'interno della macchina sia inferiore rispetto all'apertura dell'oblò; in caso contrario togliere l'acqua in eccedenza attraverso il tubo di scarico raccogliendola in un secchio come indicato in figura.



3. rimuovere il pannello di copertura sul lato anteriore della lavabiancheria con l'aiuto di un giravite (vedi figura).



4. utilizzando la linguetta indicata in figura tirare verso l'esterno fino a liberare il tirante in plastica dal fermo; tirarlo successivamente verso il basso e contemporaneamente aprire la porta.

5. rimontare il pannello assicurandosi, prima di spingerlo verso la macchina, di aver inserito i ganci nelle apposite asole.

Manutenzione e cura

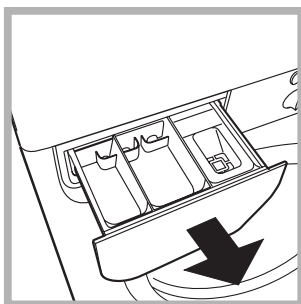
Escludere acqua e corrente elettrica

- Chiudere il rubinetto dell'acqua dopo ogni lavaggio. Si limita così l'usura dell'impianto idraulico della lavabiancheria e si elimina il pericolo di perdite.
- Staccare la spina della corrente quando si pulisce la lavabiancheria e durante i lavori di manutenzione.

Pulire la lavabiancheria

La parte esterna e le parti in gomma possono essere puliti con un panno imbevuto di acqua tiepida e sapone. Non usare solventi o abrasivi.

Pulire il cassetto dei detersivi



Sfilare il cassetto sollevandolo e tirandolo verso l'esterno (vedi figura). Lavarlo sotto l'acqua corrente; questa pulizia va effettuata frequentemente.

Curare oblò e cestello

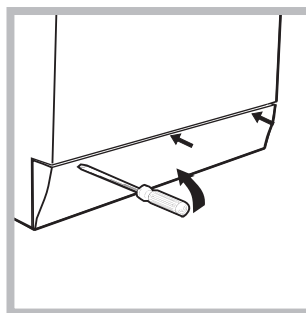
- Lasciare sempre socchiuso l'oblò per evitare che si formino cattivi odori.

Pulire la pompa

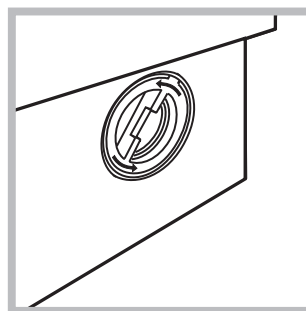
La lavabiancheria è dotata di una pompa autopulente che non ha bisogno di manutenzione. Può però succedere che piccoli oggetti (monete, bottoni) cadano nella precamera che protegge la pompa, situata nella parte inferiore di essa.

! Assicurarsi che il ciclo di lavaggio sia terminato e staccare la spina.

Per accedere alla precamera:



1. rimuovere il pannello di copertura sul lato anteriore della lavabiancheria con l'ausilio di un giravite (vedi figura);



2. svitare il coperchio ruotandolo in senso antiorario (vedi figura): è normale che fuoriesca un po' d'acqua;

3. pulire accuratamente l'interno;
4. riavvitare il coperchio;
5. rimontare il pannello assicurandosi, prima di spingerlo verso la macchina, di aver inserito i ganci nelle apposite asole.

Controllare il tubo di alimentazione dell'acqua

Controllare il tubo di alimentazione almeno una volta all'anno. Se presenta screpolature e fessure va sostituito: durante i lavaggi le forti pressioni potrebbero provocare improvvise spaccature.

! Non utilizzare mai tubi già usati.

Può accadere che la lavabiancheria non funzioni. Prima di telefonare all'Assistenza (vedi "Assistenza"), controllare che non si tratti di un problema facilmente risolvibile aiutandosi con il seguente elenco.

Anomalie:

La lavabiancheria non si accende.

Il ciclo di lavaggio non inizia.

La lavabiancheria non carica acqua (lampeggia velocemente la spia della prima fase di lavaggio).

La lavabiancheria carica e scarica acqua di continuo.

La lavabiancheria non scarica o non centrifuga.

La lavabiancheria vibra molto durante la centrifuga.

La lavabiancheria perde acqua.

Le spie delle "fasi di lavaggio" e quella dell' OBLÒ BLOCCATO lampeggiano velocemente.

Si forma troppa schiuma.

Possibili cause / Soluzione:

- La spina non è inserita nella presa della corrente, o non abbastanza da fare contatto.
 - In casa non c'è corrente.
 - L'oblò non è ben chiuso.
 - Il tasto ON/OFF non è stato premuto.
 - Il tasto AVVIO/PAUSA non è stato premuto.
 - Il rubinetto dell'acqua non è aperto.
 - Si è impostato un ritardo sull'ora di avvio (PARTENZA RITARDATA, vedi "Personalizzazioni").
 - Il tubo di alimentazione dell'acqua non è collegato al rubinetto.
 - Il tubo è piegato.
 - Il rubinetto dell'acqua non è aperto.
 - In casa manca l'acqua.
 - Non c'è sufficiente pressione.
 - Il tasto AVVIO/PAUSA non è stato premuto.
 - Il tubo di scarico non è installato fra 65 e 100 cm da terra (vedi "Installazione").
 - L'estremità del tubo di scarico è immersa nell'acqua (vedi "Installazione").
 - Lo scarico a muro non ha lo sfiato d'aria.
- Se dopo queste verifiche il problema non si risolve, chiudere il rubinetto dell'acqua, spegnere la lavabiancheria e chiamare l'Assistenza. Se l'abitazione si trova agli ultimi piani di un edificio, è possibile che si verifichino fenomeni di sifonaggio, per cui la lavabiancheria carica e scarica acqua di continuo. Per eliminare l'inconveniente sono disponibili in commercio apposite valvole anti-sifonaggio.
- Il programma non prevede lo scarico: con alcuni programmi occorre avviarlo manualmente.
 - È attiva l'opzione "Antipiega": per completare il programma premere il tasto AVVIO/PAUSA ("Personalizzazioni").
 - Il tubo di scarico è piegato (vedi "Installazione").
 - La conduttura di scarico è ostruita.
 - Il cestello, al momento dell'installazione, non è stato sbloccato correttamente (vedi "Installazione").
 - La lavabiancheria non è in piano (vedi "Installazione").
 - La lavabiancheria è stretta tra mobili e muro (vedi "Installazione").
 - Il tubo di alimentazione dell'acqua non è ben avvitato (vedi "Installazione").
 - Il cassetto dei detersivi è intasato (per pulirlo vedi "Manutenzione e cura").
 - Il tubo di scarico non è fissato bene (vedi "Installazione").
 - Spegnere la macchina e togliere la spina dalla presa, attendere circa 1 minuto quindi riaccenderla.
Se l'anomalia persiste, chiamare l'Assistenza.
 - Il detersivo non è specifico per lavabiancheria (deve esserci la dicitura "per lavatrice", "a mano e in lavatrice", o simili).
 - Il dosaggio è stato eccessivo.

Assistenza

Prima di contattare l'Assistenza:

- Verificare se l'anomalia può essere risolta da soli (vedi "Anomalie e rimedi").
- Riavviare il programma per controllare se l'inconveniente è stato ovviato;
- In caso negativo, contattare il Numero Unico 199.199.199*.

! Non ricorrere mai a tecnici non autorizzati.

Comunicare:

- il tipo di anomalia;
- il modello della macchina (Mod.);
- il numero di serie (S/N).

Queste informazioni si trovano sulla targhetta applicata nella parte posteriore della lavabiancheria e nella parte anteriore aprendo l'oblò.

Assistenza Attiva 7 giorni su 7



In caso di necessità d'intervento chiamare il Numero Unico Nazionale 199.199.199*.

Un operatore sarà a completa disposizione per fissare un appuntamento con il Centro Assistenza Tecnico Autorizzato più vicino al luogo da cui si chiama.

È attivo 7 giorni su 7, sabato e domenica compresi, e non lascia mai inascoltata una richiesta.

* Al costo di 14,25 centesimi di Euro al minuto (iva inclusa) dal Lun. al Ven. dalle 08:00 alle 18:30, il Sab. dalle 08:00 alle 13:00 e di 5,58 centesimi di Euro al minuto (iva inclusa) dal Lun. al Ven. dalle 18:30 alle 08:00, il Sab. dalle 13:00 alle 08:00 e i giorni festivi, per chi chiama da telefono fisso.
Per chi chiama da radiomobile le tariffe sono legate al piano tariffario dell'operatore telefonico utilizzato.
Le suddette tariffe potrebbero essere soggette a variazione da parte dell'operatore telefonico; per maggiori informazioni consultare il sito www.aristonchannel.com.

GR

Ελληνικά

IWC 6083

Περιεχόμενα

Εγκατάσταση, 38-39

Αποσυσκευασία και οριζοντίωση
Υδραυλικές και ηλεκτρικές συνδέσεις
Πρώτος κύκλος πλυσίματος
Τεχνικά στοιχεία

Περιγραφή του πλυντηρίου και εκκίνηση ενός προγράμματος, 40-41

Πίνακας ελέγχου
Ενδεικτικά φωτάκια
Εκκίνηση ενός προγράμματος

Προγράμματα, 42

Πίνακας των Προγραμμάτων

Εξατομικεύσεις, 43

Θέστε τη θερμοκρασία
Θέστε το στύψιμο
Λειτουργίες

Απορρυπαντικά και μπουγάδα, 44

Θήκη απορρυπαντικών
Κύκλος λεύκανσης
Προετοιμασία της μπουγάδας
Ειδικά ρούχα
Σύστημα ισοστάθμισης του φορτίου

Προφυλάξεις και συμβουλές, 45

Γενική ασφάλεια
Διάθεση
Χειρονακτικό άνοιγμα της πόρτας

Συντήρηση και φροντίδα, 46

Αποκλεισμός νερού και ηλεκτρικού ρεύματος
Καθαρισμός του πλυντηρίου
Καθαρισμός του συρταριού απορρυπαντικών
Φροντίδα της πόρτας και του κάδου
Καθαρισμός της αντλίας
Έλεγχος του σωλήνα τροφοδοσίας του νερού

Ανωμαλίες και λύσεις, 47

Υποστήριξη, 48

Εγκατάσταση

GR

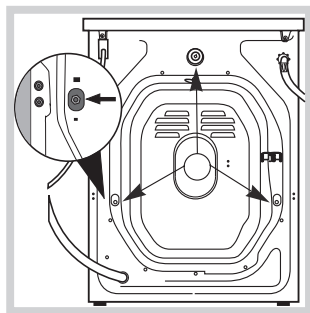
! Είναι σημαντικό να διατηρήσετε το εγχειρίδιο αυτό για να μπορείτε να το συμβουλευέστε οποιαδήποτε στιγμή. Σε περίπτωση πώλησης, παραχώρησης ή μετακόμισης, βεβαιωθείτε ότι παραμένει μαζί με το πλυντήριο για να πληροφορεί τον νέο ιδιοκτήτη για τη λειτουργία και τις σχετικές προειδοποιήσεις.

! Διαβάστε προσεκτικά τις οδηγίες: υπάρχουν σημαντικές πληροφορίες για την εγκατάσταση, τη χρήση και την ασφάλεια.

Αποσυσκευασία και οριζόντιωση

Αποσυσκευασία

1. Αποσυσκευάστε το πλυντήριο.
2. Ελέγξτε αν το πλυντήριο έχει υποστεί ζημιές κατά τη μεταφορά. Αν έχει υποστεί ζημιές μην το συνδέετε και επικοινωνήστε με τον μεταπωλητή.



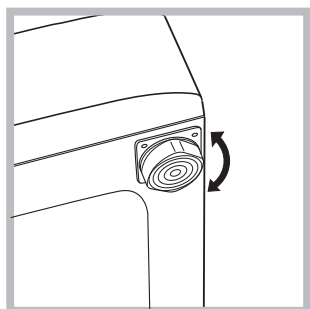
3. Αφαιρέστε τις 3 βίδες προστασίας για τη μεταφορά και το λαστιχάκι με το σχετικό διαχωριστικό, που βρίσκονται στο πίσω μέρος (βλέπε εικόνα).

4. Κλείστε τις οπές με τα πλαστικά πώματα που σας παρέχονται.
5. Διατηρείστε και τα τρία τεμάχια: αν το πλυντήριο χρειαστεί να μεταφερθεί, θα πρέπει να ξαναμονταριστούν.

! Οι συσκευασίες δεν είναι παιχνίδια για μικρά παιδιά.

Ευθυγράμμιση

1. Εγκαταστήστε το πλυντήριο σε ένα δάπεδο επίπεδο και ανθεκτικό, χωρίς να το ακουμπήσετε σε τοίχους, έπιπλα ή άλλο.

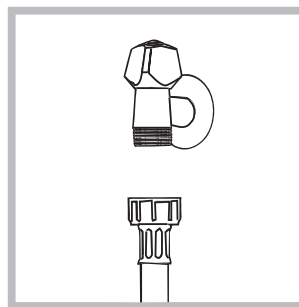


2. Αν το δάπεδο δεν είναι απόλυτα οριζοντιωμένο, αντισταθμίστε τις ανωμαλίες βιδώνοντας ή ξεβιδώνοντας τα πρόσθια ποδαράκια (βλέπε εικόνα). Η γωνία κλίσης, μετρημένη στην επιφάνεια εργασίας, δεν πρέπει να ξεπερνάει τις 2°.

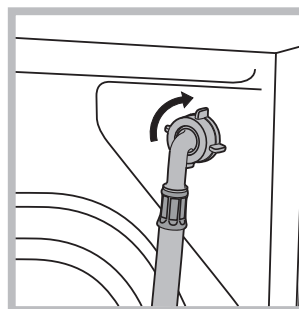
Μια φροντισμένη οριζόντιωση προσδίδει σταθερότητα στη μηχανή και αποσοβεί δονήσεις, θορύβους και μετατοπίσεις κατά τη λειτουργία. Σε περίπτωση μοκέτας ή τάπητα, ρυθμίστε τα ποδαράκια έτσι ώστε να υφίσταται κάτω από το πλυντήριο αρκετός χώρος για τον αερισμό.

Υδραυλικές και ηλεκτρικές συνδέσεις

Σύνδεση του σωλήνα τροφοδοσίας του νερού



1. Συνδέστε το σωλήνα τροφοδοσίας βιδώνοντάς τον σε ένα κρουνοί κρύου νερού με στόμιο σπειρώματος 3/4 gas (βλέπε εικόνα). Πριν τη σύνδεση, αφήστε να τρέξει το νερό μέχρι να γίνει διαυγές.



2. Συνδέστε το σωλήνα τροφοδοσίας στο πλυντήριο βιδώνοντάς τον στην αντίστοιχη είσοδο νερού, στο πίσω μέρος επάνω δεξιά (βλέπε εικόνα).

3. Προσέξτε ώστε στο σωλήνα να μην υπάρχουν ούτε πτυχώσεις, ούτε στενώσεις.

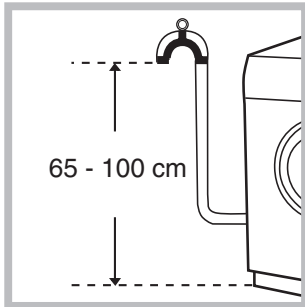
! Η πίεση νερού του κρουνοί πρέπει να κυμαίνεται μεταξύ των τιμών του πίνακα Τεχνικά στοιχεία (βλέπε σελίδα δίπλα).

! Αν το μήκος του σωλήνα τροφοδοσίας δεν επαρκεί, απευθυνθείτε σε ένα ειδικευμένο κατάστημα ή σε ένα εξουσιοδοτημένο τεχνικό.

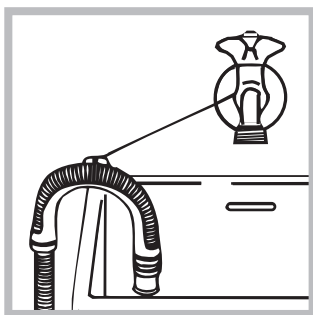
! Μη χρησιμοποιείτε ποτέ χρησιμοποιημένους σωλήνες.

! Χρησιμοποιείτε εκείνους που σας παρέχονται με τη μηχανή.

Σύνδεση του σωλήνα αδειάσματος



Συνδέστε αδειάσματος, χωρίς να τον διπλώσετε, σε έναν αγωγό εκκένωσης ή σε μια επιτοίχια αποχέτευση σε απόσταση από 65 έως 100 cm από το έδαφος.



Διαφορετικά αποθέστε τον στο χείλος ενός νιπτήρα ή μιας λεκάνης, δένοντας τον οδηγό που σας παρέχεται στον κρουνό (βλέπε εικόνα). Το ελεύθερο άκρο του σωλήνα αδειάσματος δεν πρέπει να παραμένει βυθισμένο στο νερό.

! Δεν συνιστάται η χρήση προεκτάσεων σωλήνων. Αν απαιτείται, η προέκταση πρέπει να έχει την ίδια διάμετρο του αρχικού σωλήνα και να μην ξεπερνάει τα 150 cm.

Ηλεκτρική σύνδεση

Πριν εισάγετε το βύσμα στην ηλεκτρική πρίζα, βεβαιωθείτε ότι:

- η πρίζα διαθέτει γείωση και τηρεί τις εκ του νόμου προδιαγραφές.
- Η πρίζα να είναι σε θέση να υποφέρει το μέγιστο φορτίο ισχύος της μηχανής, που αναφέρεται στον πίνακα Τεχνικών στοιχείων (βλέπε δίπλα).
- Η τάση τροφοδοσίας να κυμαίνεται μεταξύ των τιμών που αναφέρονται στον πίνακα Τεχνικών στοιχείων (βλέπε δίπλα).
- Η πρίζα να είναι συμβατή με το βύσμα του πλυντηρίου. Σε αντίθετη περίπτωση, αντικαταστήστε την πρίζα ή το βύσμα.

! Το πλυντήριο δεν εγκαθίσταται σε ανοιχτό χώρο, ακόμη και αν ο χώρος είναι καλυμμένος, διότι είναι πολύ επικίνδυνο να το αφήνετε εκτεθειμένο σε βροχή και κακοκαιρία.

! Με την εγκατάσταση του πλυντηρίου, η πρίζα ρεύματος πρέπει να είναι εύκολα προσβάσιμη.

! Μη χρησιμοποιείτε προεκτάσεις και πολύπριζα.

! Το καλώδιο δεν πρέπει να φέρει πτυχές ή να είναι συμπιεσμένο.



! Το καλώδιο τροφοδοσίας πρέπει να αντικαθίσταται μόνο από εξουσιοδοτημένους τεχνικούς.

Προσοχή! Η επιχείρηση αποποιείται κάθε ευθύνης σε περίπτωση που δεν τηρούνται αυτοί οι κανόνες.

Πρώτος κύκλος πλυσίματος

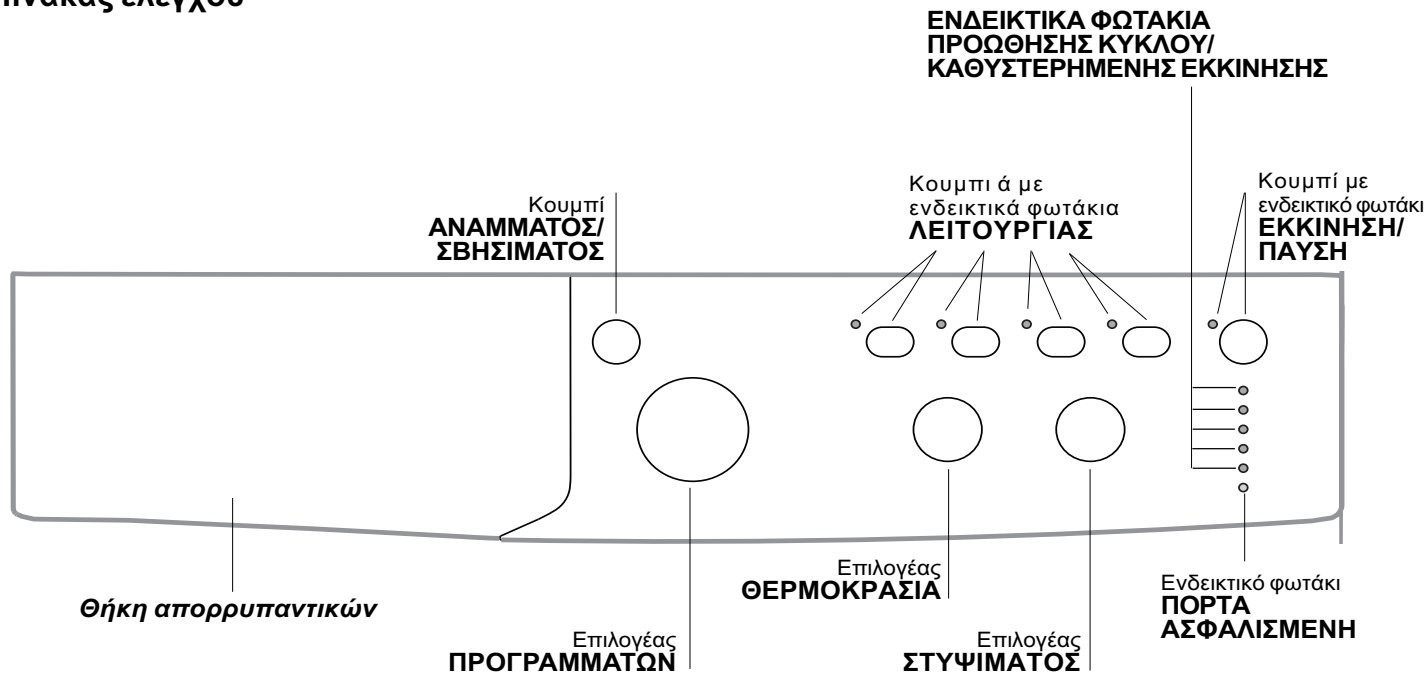
Μετά την εγκατάσταση, πριν τη χρήση, διενεργήστε ένα κύκλο πλυσίματος με απορρυπαντικό και χωρίς ρούχα θέτοντας το πρόγραμμα 3.

Τεχνικά στοιχεία

Μοντέλο	IWC 6083
Διαστάσεις	πλάτος cm 59,5 ύψος cm 85 βάθος cm 52,5
Χωρητικότητα	από 1 έως 6 kg
Ηλεκτρικές συνδέσεις	Βλέπε την πινακίδα χαρακτηριστικών επί της μηχανής
Συνδέσεις νερού	μέγιστη πίεση 1 MPa (10 bar) Ελάχιστη πίεση 0,05 MPa (0,5 bar) χωρητικότητα του κάδου 46 λίτρα
Ταχύτητα στυψίματος	μέχρι 800 στροφές το λεπτό
Προγράμματα ελέγχου σύμφωνα με τον κανονισμό EN 60456	πρόγραμμα 2; θερμοκρασία 60°C; εκτελούμενο με 6 kg μπουγάδας.
	Η συσκευή αυτή είναι σύμφωνη με τις ακόλουθες οινωτικές Οδηγίες: - 89/336/CEE της 03/05/89 (Ηλεκτρομαγνητική Συμβατότητα) και μεταγενέστερες τροποποιήσεις - 2002/96/CE - 2006/95/CE (Χαμηλή Τάση)
	

Περιγραφή του πλυντηρίου και εκκίνηση ενός προγράμματος

Πίνακας ελέγχου



Θήκη απορρυπαντικών: για την προσθήκη απορρυπαντικών και πρόσθετων (βλέπε «Απορρυπαντικά και μπουγάδα»).

Κουμπί ΑΝΑΜΜΑΤΟΣ/ΣΒΗΣΙΜΑΤΟΣ: Για να ανάψετε ή να σβήσετε το πλυντήριο.

Επιλογέας ΠΡΟΓΡΑΜΜΑΤΩΝ: για να θέσετε τα προγράμματα. Κατά τη διάρκεια του προγράμματος ο επιλογέας παραμένει ακίνητος.

Κουμπι ά με ενδεικτικά φωτάκια ΛΕΙΤΟΥΡΓΙΑΣ: για να επιλέξετε τις διαθέσιμες λειτουργίες. Το σχετικό με την επιλεγείσα λειτουργία ενδεικτικό φωτάκι θα παραμείνει αναμμένο.

Επιλογέας ΣΤΥΨΙΜΑΤΟΣ: για να θέσετε το στύψιμο ή να το αποκλείσετε (βλέπε «Εξατομικεύσεις»).

Επιλογέας ΘΕΡΜΟΚΡΑΣΙΑ: για να θέσετε τη θερμοκρασία ή το πλύσιμο σε κρύο νερό (βλέπε «Εξατομικεύσεις»).


ΕΝΔΕΙΚΤΙΚΑ ΦΩΤΑΚΙΑ ΠΡΟΩΘΗΣΗΣ ΚΥΚΛΟΥ/ ΚΑΘΥΣΤΕΡΗΜΕΝΗΣ ΕΚΚΙΝΗΣΗΣ: για να ακολουθείτε την κατάσταση προόδου του προγράμματος πλυσίματος.

Το αναμμένο ενδεικτικό φωτάκι δείχνει την σε εξέλιξη φάση.

Αν τέθηκε η λειτουργία «Καθυστερημένη εκκίνηση», θα δείχνουν τον χρόνο που υπολείπεται για την έναρξη του προγράμματος (βλέπε σελίδα δίπλα).

Ενδεικτικό φωτάκι ΠΟΡΤΑ ΑΣΦΑΛΙΣΜΕΝΗ: για να καταλάβετε αν η πόρτα ανοίγει (βλέπε σελίδα δίπλα).

Κουμπί με ενδεικτικό φωτάκι ΕΚΚΙΝΗΣΗ/ΠΑΥΣΗ: για την εκκίνηση των προγραμμάτων ή την προσωρινή διακοπή τους.

ΣΗΜΕΙΩΣΗ: για να θέσετε σε παύση το σε εξέλιξη πλύσιμο, πιέστε το κουμπι αυτό, το σχετικό ενδεικτικό φωτάκι θα ανάψει με πορτοκαλί χρώμα ενώ εκείνο της σε εξέλιξης φάσης θα είναι συνεχώς αναμμένο. Αν το ενδεικτικό φωτάκι ΠΟΡΤΑ ΑΣΦΑΛΙΣΜΕΝΗ  σβήσει, μπορείτε να ανοίξετε την πόρτα.

Για να ξεκινήσει πάλι το πλύσιμο από το σημείο διακοπής, πατήστε εκ νέου το κουμπι αυτό.

Ενδεικτικά φωτάκια

Τα ενδεικτικά φωτάκια παρέχουν σημαντικές πληροφορίες.

Να τι μας λένε:

Καθυστερημένη εκκίνηση

Αν ενεργοποιήθηκε η λειτουργία “Καθυστερημένη εκκίνηση” (βλέπε «Εξατομικεύσεις»), αφού εκκινήσετε το πρόγραμμα, θα αρχίσει να αναβοσβήνει το ενδεικτικό φωτάκι το σχετικό με την επιλεγμένη καθυστέρηση:

3h 

6h 

9h 

12h 

Με το πέρασμα του χρόνου θα απεικονίζεται η υπολειπόμενη καθυστέρηση, με το σχετικό ενδεικτικό φωτάκι να αναβοσβήνει.

3h 

6h 

9h 

12h 

Αφού ολοκληρωθεί η προεπιλεγμένη χρονοκαθυστέρηση θα αρχίσει το επιλεγμένο πρόγραμμα.

Ενδεικτικά φωτάκια φάσης σε εξέλιξη


Κατά τον επιθυμητό κύκλο πλυσίματος, τα ενδεικτικά φωτάκια θα ανάψουν προοδευτικά για να δείξουν την κατάσταση προώθησης:

Πλύσιμο 

Ξέβγαλμα 

Στύψιμο 

Άδειασμα 

Τέλος Πλυσίματος 

Κουμπιά λειτουργίας και σχετικά ενδεικτικά φωτάκια

Επιλέγοντας μια λειτουργία το σχετικό ενδεικτικό φωτάκι θα φωτιστεί.

Αν η επιλεγμένη λειτουργία δεν είναι συμβατή με το τεθέν πρόγραμμα το σχετικό ενδεικτικό φωτάκι θα αναβοσβήνει και η λειτουργία δεν θα ενεργοποιηθεί. Αν η επιλεγμένη λειτουργία δεν είναι συμβατή με μια άλλη που επελέγη προηγουμένως, το σχετικό φωτάκι της πρώτης επιλεγμένης λειτουργίας θα αναβοσβήνει και θα ενεργοποιηθεί μόνο η δεύτερη, το ενδεικτικό φωτάκι της ενεργοποιηθείσας λειτουργίας θα φωτιστεί.


Ενδεικτικό φωτάκι ασφαλισμένης πόρτας

Το αναμμένο ενδεικτικό φωτάκι δείχνει ότι η πόρτα είναι μπλοκαρισμένη για να αποφευχθεί το άνοιγμα. Για να ανοίξετε την πόρτα πρέπει το ενδεικτικό φωτάκι να είναι σβηστό (περιμένετε 3 λεπτά περίπου). Για να ανοίξετε την πόρτα ενώ είναι σε εξέλιξη ένας κύκλος πιάστε το κουμπί ΕΚΚΙΝΗΣΗ/ΠΑΥΣΗ. Αν το ενδεικτικό φωτάκι ΠΟΡΤΑ ΑΣΦΑΛΙΣΜΕΝΗ είναι σβηστό μπορείτε να ανοίξετε την πόρτα.

ΣΗΜΕΙΩΣΗ: αν είναι ενεργή η λειτουργία “Καθυστερημένη εκκίνηση” η πόρτα δεν μπορεί να ανοίξει, για να την ανοίξετε θέστε τη μηχανή σε παύση πιέζοντας το κουμπί ΕΚΚΙΝΗΣΗ/ΠΑΥΣΗ.

! Όταν οι ενδεικτικές λυχνίες των “φάσεων πλυσίματος” και του ΠΟΡΤΑ ΑΣΦΑΛΙΣΜΕΝΗ αναβοσβήνουν γρήγορα, επισημαίνουν κάποιο πρόβλημα (βλέπε “Ανωμαλίες και λύσεις”).

Εκκίνηση ενός προγράμματος

1. Ανάψτε το πλυντήριο πιέζοντας το κουμπί ANAMMA/ΣΒΗΣΙΜΟ. Όλα τα ενδεικτικά φωτάκια θα ανάψουν μερικά δευτερόλεπτα, μετά θα σβήσουν και θα πάλλεται το ενδεικτικό φωτάκι ΕΚΚΙΝΗΣΗ/ΠΑΥΣΗ.
2. Φορτώστε τη μπουγάδα και κλείστε την πόρτα.
3. Θέστε με τον επιλογέα ΠΡΟΓΡΑΜΜΑΤΩΝ το επιθυμητό πρόγραμμα.
4. Θέστε τη θερμοκρασία πλυσίματος (βλέπε «Εξατομικεύσεις»).
5. Θέστε την ταχύτητα στύψιματος (βλέπε «Εξατομικεύσεις»).
6. Χύστε απορρυπαντικό και πρόσθετα (βλέπε «Απορρυπαντικά και μπουγάδα»).
7. Επιλέξτε τις διαθέσιμες λειτουργίες.
8. Εκκινήστε το πρόγραμμα πιέζοντας το κουμπί ΕΚΚΙΝΗΣΗ/ΠΑΥΣΗ και το σχετικό ενδεικτικό φωτάκι θα παραμείνει αναμμένο συνεχώς με πράσινο χρώμα. Για να ακυρώσετε τον τεθέντα κύκλο θέστε τη μηχανή σε παύση πιέζοντας το κουμπί ΕΚΚΙΝΗΣΗΣ/ΠΑΥΣΗΣ και επιλέξτε ένα νέο κύκλο.
9. Στο τέλος του προγράμματος θα φωτιστεί το ενδεικτικό φωτάκι END. Όταν η ενδεικτική λυχνία ΠΟΡΤΑ ΑΣΦΑΛΙΣΜΕΝΗ  σβήσει μπορείτε να ανοίξετε την πόρτα. Βγάλτε τη μπουγάδα και αφήστε την πόρτα μισόκλειστη για να στεγνώσει ο κάδος. Σβήστε το πλυντήριο πιέζοντας το κουμπί ANAMMA/ΣΒΗΣΙΜΟ.

Προγράμματα

Πίνακας των Προγραμμάτων

Προγράμματα	Περιγραφή του Προγράμματος	Μέγιστη θερμοκρασία (°C)	Μέγιστη ταχύτητα (στροφές ανά λεπτό)	Απορρυπαντικά				Μέγιστο Φορτίο (Kg)		Διάρκεια κύκλου	
				Προπλυση	Πλύσιμο	Λευκαντικό	Μαλακτικό	Κανονικό	Eco Time	Κανονικό	Eco Time
Προγράμματα για όλες τις μέρες (Daily)											
1	ΒΑΜΒΑΚΕΡΑ ΠΡΟΠΛΥΣΗ: Λευκά εξαιρετικά λερωμένα.	90°	800	●	●	-	●	6	-	164	-
2	ΒΑΜΒΑΚΕΡΑ: Λευκά εξαιρετικά λερωμένα.	90°	800	-	●	●	●	6	-	145	-
2	ΒΑΜΒΑΚΕΡΑ (1): Λευκά και χρωματιστά ανθεκτικά, πολύ λερωμένα.	60°	800	-	●	●	●	6	-	137	-
2	ΒΑΜΒΑΚΕΡΑ (2): Λευκά και χρωματιστά ευαίσθητα, πολύ λερωμένα.	40°	800	-	●	●	●	6	-	123	-
3	ΒΑΜΒΑΚΕΡΑ: Λευκά και χρωματιστά ανθεκτικά, πολύ λερωμένα	60°	800	-	●	●	●	6	3,25	119	104
4	ΒΑΜΒΑΚΕΡΑ ΧΡΩΜΑΤΙΣΤΑ (3): Λευκά λίγο λερωμένα και ευαίσθητα χρώματα.	40°	800	-	●	●	●	6	3,25	89	71
5	ΣΥΝΘΕΤΙΚΑ: Χρωματιστά ανθεκτικά, πολύ λερωμένα.	60°	800	-	●	●	●	2,5	2	85	72
Ειδικά Προγράμματα (Special)											
6	ΜΑΛΛΙΝΑ: Για μάλλινα, cachemire, κλπ.	40°	600	-	●	-	●	1,5	-	55	-
7	ΜΕΤΑΞΩΤΑ/ ΟΥΡΤΙΝΕΣ: Για μεταξωτά ρούχα, βισκόζη, λινά.	30°	0	-	●	-	●	1	-	55	-
8	JEANS	40°	800	-	●	-	●	3	-	70	-
9	EXPRESS: Για το γρήγορο φρεσκάρισμα ρούχων ελαφρά λερωμένων (δεν ενδείκνυται για μάλλινα, μεταξωτά και ρούχα που πλένονται στο χέρι).	30°	800	-	●	-	●	1,5	-	15	-
10	OUTWEAR	30°	400	-	●	-	-	2	-	46	-
Sport											
11	Sport Intensive	30°	600	-	●	-	●	3	-	78	-
12	Sport Light	30°	600	-	●	-	●	3	-	68	-
13	Sport Shoes	30°	600	-	●	-	●	(MAX. 2 ζεύγη)	-	50	-
Επί μέρους προγράμματα											
☼	ΞΕΒΓΑΛΜΑ	-	800	-	-	●	●	6	-	36	-
☼	ΣΤΥΨΙΜΟ	-	800	-	-	-	-	6	-	16	-
☼	ΑΜΟΧΕΤΕΥΣΗ ΝΕΡΟΥ	-	0	-	-	-	-	6	-	2	-

Τα στοιχεία που αναφέρονται στον πίνακα είναι ενδεικτικά.

Για όλα τα Test Institutes:

- 1) Πρόγραμμα ελέγχου σύμφωνα με την προδιαγραφή EN 60456: θέστε το πρόγραμμα 2 σε μια θερμοκρασία 60°C.
- 2) Πρόγραμμα βαμβακερών μακρύ: θέστε το πρόγραμμα 2 σε μια θερμοκρασία 40°C.
- 3) Πρόγραμμα βαμβακερών σύντομο: θέστε το πρόγραμμα 4 σε μια θερμοκρασία 40°C.

Ειδικά προγράμματα

Express (πρόγραμμα 9) μελετήθηκε για το πλύσιμο ρούχων ελαφρά λερωμένων σε σύντομο χρόνο: διαρκεί μόνο 15 λεπτά και σας εξοικονομεί χρόνο και ενέργεια. Θέτοντας το πρόγραμμα (9 σε 30°C) μπορείτε να πλύνετε μαζί υφάσματα διαφορετικής φύσης (εκτός μάλλινων και μεταξωτών) με ένα μέγιστο φορτίο 1,5 kg.

Outwear (πρόγραμμα 10) σχεδιάστηκε για το πλύσιμο υδρόφοβων υφασμάτων και μπουφάν (π.χ. goretex, πολυεστέρας, νάιλον). Για να πετύχετε τα καλύτερα αποτελέσματα χρησιμοποιήστε απορρυπαντικό υγρό και χρησιμοποιήστε μια δόση για μισό φορτίο. Προετοιμάστε μανίκια, λαιμούς και λεκέδες. Μη χρησιμοποιείτε μαλακτικό ή απορρυπαντικό με μαλακτικό. *Με το πρόγραμμα αυτό δεν μπορείτε να πλύνετε παπλώματα.*

Sport Intensive (πρόγραμμα 11) σχεδιάστηκε για το πλύσιμο υφασμάτων αθλητικής ένδυσης (φόρμες, παντελονάκια, κλπ.) λίγο λερωμένα. Για να πετύχετε τα καλύτερα αποτελέσματα συστήνεται να μην ξεπερνάτε το μέγιστο φορτίο του "Πίνακα των προγραμμάτων".

Sport Light (πρόγραμμα 12) σχεδιάστηκε για το πλύσιμο υφασμάτων αθλητικής ένδυσης (φόρμες, παντελονάκια, κλπ.) λίγο λερωμένα. Για να πετύχετε τα καλύτερα αποτελέσματα συστήνεται να μην ξεπερνάτε το μέγιστο φορτίο του "Πίνακα των προγραμμάτων". Συστήνεται η χρήση υγρού απορρυπαντικού, χρησιμοποιείτε μια δόση κατάλληλη για μισό φορτίο.

Sport Shoes (πρόγραμμα 13) σχεδιάστηκε για το πλύσιμο αθλητικών υποδημάτων. Για να πετύχετε τα καλύτερα αποτελέσματα μην πλένετε περισσότερα από 2 ζευγάρια.

Χωρίς στύψιμο

Η λειτουργία αυτή διακόπτει το πρόγραμμα πλυσίματος διατηρώντας τη μπουγάδα σε μούλιασμα πριν το άδειασμα του νερού. Είναι ενεργή μόνο στο πρόγραμμα 7 (Μεταξωτά/Κουρτίνες) και χρησιμεύει για την αποφυγή σχηματισμού τσαλακωμάτων. Για την ολοκλήρωση του κύκλου πατήστε το κουμπί ΕΚΚΙΝΗΣΗ/ΠΑΥΣΗ.

Θέστε τη θερμοκρασία

Στρέφοντας τον επιλογέα ΘΕΡΜΟΚΡΑΣΙΑ τίθεται η θερμοκρασία πλυσίματος (βλέπε *Πίνακα προγραμμάτων*).

Η θερμοκρασία μπορεί να μειωθεί μέχρι το πλύσιμο σε κρύο νερό ❄.

Το μηχάνημα θα παρεμποδίσει αυτόματα τη θέση θερμοκρασίας μεγαλύτερης της μέγιστης προβλεπόμενης για κάθε πρόγραμμα.

Θέστε το στύψιμο

Στρέφοντας τον επιλογέα ΣΤΥΨΙΜΟ τίθεται η ταχύτητα στυψίματος του επιλεγμένου προγράμματος.

Οι μέγιστες προβλεπόμενες ταχύτητες για τα προγράμματα είναι:

Προγράμματα	Μέγιστη ταχύτητα
Βαμβακερά	800 στροφές ανά λεπτό
Συνθετικά	800 στροφές ανά λεπτό
Μάλλινα	600 στροφές ανά λεπτό
Μεταξωτά	μόνο άδειασμα

Η ταχύτητα στυψίματος μπορεί να ελαττωθεί ή να αποκλειστεί επιλέγοντας το σύμβολο ⓪.

Το μηχάνημα θα παρεμποδίσει αυτόματα τη διενέργεια στυψίματος μεγαλύτερου του μέγιστου προβλεπόμενου για κάθε πρόγραμμα.

Λειτουργίες

Οι διάφορες λειτουργίες πλυσίματος που προβλέπονται από το πλυντήριο επιτρέπουν την επίτευξη του καθαρισμού και του λευκού που επιθυμείτε.

Για την ενεργοποίηση των λειτουργιών:

1. Πιέστε το πλήκτρο το σχετικό με την επιλεγμένη λειτουργία.
2. Το άναμμα του ενδεικτικού φωτός επισημαίνει ότι η λειτουργία είναι ενεργή.

Παρατήρηση: Το γρήγορο αναβοσβήσιμο του ενδεικτικού φωτός δείχνει ότι η σχετική λειτουργία δεν μπορεί να επιλεγεί για το τεθέν πρόγραμμα.

EcoTime

Επιλέγοντας τη δυνατότητα αυτή η μηχανική κίνηση, η θερμοκρασία και το νερό είναι βελτιστοποιημένο για μειωμένο φορτίο βαμβακερών και συνθετικών λίγο λερωμένων (βλέπε *“Πίνακας των Προγραμμάτων”*). Με το “EcoTime” μπορείτε να πλένετε σε μικρούς χρόνους, εξοικονομώντας νερό και ενέργεια. Συστήνεται η χρήση μιας δόσης υγρού απορρυπαντικού κατάλληλης για την ποσότητα του φορτίου.

! Δεν είναι διαθέσιμη στα προγράμματα 1, 2, 6, 7, 8, 9, 10, 11, 12, 13, ⓪, ☼, ☽.

Ξελέκισμα

Κύκλος λεύκανσης κατάλληλος για την απομάκρυνση των πλέον ανθεκτικών λεκέδων. Θυμηθείτε να χύσετε τη χλωρίνη στην πρόσθετη θήκη 4 (βλέπε *“Κύκλος λεύκανσης”*).

! Δεν είναι ενεργό στα προγράμματα 1, 6, 7, 8, 9, 10, 11, 12, 13, ⓪, ☽.

Επιπλέον Ξεβγάλμα

Επιλέγοντας τη δυνατότητα αυτή αυξάνεται η αποτελεσματικότητα του ξεβγάλματος και εξασφαλίζεται η μέγιστη απομάκρυνση του απορρυπαντικού. Είναι χρήσιμη για επιδερμίδες ιδιαίτερα ευαίσθητες.

! Δεν είναι ενεργή στα προγράμματα 9, ⓪, ☽.

Καθυστερημένη εκκίνηση

Καθυστερεί την εκκίνηση του μηχανήματος μέχρι 12 ώρες.

Πιέστε πολλές φορές το πλήκτρο μέχρι να ανάψει το ενδεικτικό φωτάκι το σχετικό με την επιθυμητή καθυστέρηση. Στην πέμπτη φορά που θα πιέσετε το κουμπί η λειτουργία θα απενεργοποιηθεί.

ΣΗΜΕΙΩΣΗ: Αφού πατηθεί το πλήκτρο ΕΚΚΙΝΗΣΗ/ΠΑΥΣΗ, μπορείτε να αλλάξετε την τιμή καθυστέρησης μόνο μειώνοντάς την μέχρι την εκκίνηση του τεθέντος προγράμματος.

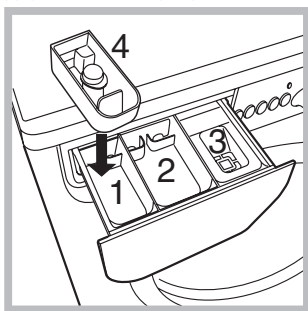
! Είναι ενεργό με όλα τα προγράμματα.

Απορρυπαντικά και μπουγάδα

Θήκη απορρυπαντικών

Το καλό αποτέλεσμα του πλυσίματος εξαρτάται επίσης και από τη σωστή δοσολογία του απορρυπαντικού: υπερβάλλοντας δεν πλένουμε αποτελεσματικότερα και συντελούμε στη δημιουργία κρούστας στα εσωτερικά μέρη του πλυντηρίου και στη μόλυνση του περιβάλλοντος.

! Μην χρησιμοποιείτε απορρυπαντικά για πλύσιμο στο χέρι, διότι παράγουν πολύ αφρό.



Βγάλτε τη θήκη απορρυπαντικών και εισάγετε το απορρυπαντικό ή το πρόσθετο ως εξής.

θήκη 1: Απορρυπαντικό για πρόπλυση (σε σκόνη)

Πριν χύσετε το απορρυπαντικό ελέγξτε αν έχει εισαχθεί η πρόσθετη λεκανίτσα 4.

θήκη 2: Απορρυπαντικό για πλύσιμο (σε σκόνη ή υγρό)

Το υγρό απορρυπαντικό χύνεται μόνο πριν την εκκίνηση.

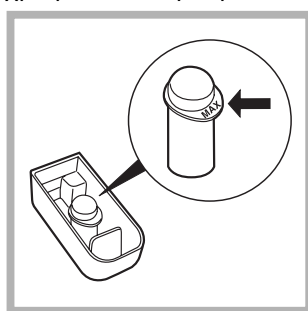
θήκη 3: Πρόσθετα (μαλακτικό, κλπ.)

Το μαλακτικό δεν πρέπει να διαφεύγει από το πλέγμα.

θήκη πρόσθετη 4: Λευκαντικό

Κύκλος λεύκανσης

! Η παραδοσιακή χλωρίνη χρησιμοποιείται για τα λευκά ανθεκτικά υφάσματα, η **απαλή** για τα χρωματιστά υφάσματα, τα συνθετικά και τα μάλλινα.



Η λειτουργία αυτή είναι χρήσιμη για την απομάκρυνση των πλέον ανθεκτικών λεκέδων. Εισάγετε την πρόσθετη θήκη 4, που σας παρέχεται, στη θήκη 1. Στη δοσολογία του λευκαντικού μην ξεπερνάτε τη στάθμη "max" που φαίνεται στον

κεντρικό πείρο (βλέπε εικόνα).

Για να διενεργήσετε μόνο τη λεύκανση χύστε τη χλωρίνη στην πρόσθετη θήκη 4, ενεργοποιήστε το πρόγραμμα «Ξέβγαλμα» και ενεργοποιήστε τη λειτουργία «Ξελέκκισμα» .

Για λεύκανση κατά το πλύσιμο χύστε το απορρυπαντικό και τα πρόσθετα, θέστε το επιθυμητό πρόγραμμα και ενεργοποιήστε τη δυνατότητα «Ξελέκκισμα» .

Η χρήση της πρόσθετης θήκης 4 αποκλείει την πρόπλυση.

Προετοιμασία της μπουγάδας

- Χωρίστε τη μπουγάδα ανάλογα:
 - με το είδος του υφάσματος/ το σύμβολο της ετικέτας.
 - τα χρώματα: χωρίστε τα χρωματιστά ρούχα από τα λευκά.
- Εκκενώστε τις τσέπες και ελέγξτε τα κουμπιά.
- Μην ξεπερνάτε τις υποδεικνυόμενες τιμές, σε σχέση με το βάρος της στεγνής μπουγάδας:
 - Ανθεκτικά υφάσματα: max 6 kg
 - Συνθετικά υφάσματα: max 2,5 kg
 - Ευαίσθητα υφάσματα: max 2 kg
 - Μάλλινα: max 1,5 kg
 - Μεταξωτά: max 1 kg

Πόσο ζυγίζει η μπουγάδα;

- 1 σεντόνι 400-500 gr.
- 1 μαξιλαροθήκη 150-200 gr.
- 1 τραπεζομάντιλο 400-500 gr.
- 1 μπουρνούζι 900-1.200 gr.
- 1 πετσέτα 150-250 gr.

Ειδικά ρούχα

Μάλλινα: Με το πρόγραμμα 6 μπορείτε να πλένετε στο πλυντήριο όλα τα μάλλινα ρούχα ακόμη και εκείνα με την ετικέτα "μόνο πλύσιμο στο χέρι" . Για καλύτερα αποτελέσματα χρησιμοποιήστε ειδικό απορρυπαντικό και μην ξεπερνάτε το 1,5 kg μπουγάδας.

Μεταξωτά: χρησιμοποιήστε το αντίστοιχο πρόγραμμα 7 για να πλύνετε όλα τα μεταξωτά ρούχα. Συνιστάται η χρήση ενός ειδικού απορρυπαντικού για ευαίσθητα ρούχα.

Κουρτίνες: διπλώστε τις μέσα σε ένα μαξιλάρι ή σε ένα δικτυωτό σακούλι. Χρησιμοποιήστε το πρόγραμμα 7.

Jeans: γυρίστε από την ανάποδη τα ρούχα πριν το πλύσιμο και χρησιμοποιήστε υγρό απορρυπαντικό. Χρησιμοποιήστε το πρόγραμμα 8.

Σύστημα ισοστάθμισης του φορτίου

Πριν από κάθε στύψιμο, για να αποφύγετε δονήσεις υπερβολικές και για να κατανείμμε ομοιόμορφα το φορτίο, ο κάδος διενεργεί περιστροφές σε μια ταχύτητα ελαφρά ανώτερη εκείνης του πλυσίματος. Αν στο τέλος των διαδοχικών προσπαθειών το φορτίο δεν έχει ακόμη εξισορροπηθεί σωστά η μηχανή διενεργεί το στύψιμο σε μια ταχύτητα χαμηλότερη της προβλεπόμενης. Παρουσία υπερβολικής αστάθειας, το πλυντήριο διενεργεί την κατανομή αντί του στυψίματος. Για να ευνοηθεί καλύτερη κατανομή του φορτίου και της σωστής εξισορρόπησης συνιστάται η ανάμιξη ρούχων μεγάλων και μικρών διαστάσεων.

! Το πλυντήριο σχεδιάστηκε και κατασκευάστηκε σύμφωνα με τους διεθνείς κανόνες ασφαλείας. Αυτές οι προειδοποιήσεις παρέχονται για λόγους ασφαλείας και πρέπει να διαβάζονται προσεκτικά.

Γενική ασφάλεια

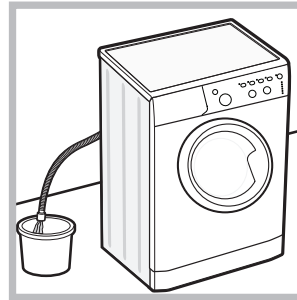
- Η συσκευή αυτή σχεδιάστηκε αποκλειστικά για οικιακή χρήση.
- Το πλυντήριο πρέπει να χρησιμοποιείται μόνο από ενήλικα άτομα και σύμφωνα με τις οδηγίες που αναφέρονται στο παρόν εγχειρίδιο.
- Μην αγγίζετε το μηχάνημα με γυμνά πόδια ή με τα χέρια ή τα πόδια βρεγμένα.
- Μην βγάζετε το βύσμα από την ηλεκτρική πρίζα τραβώντας το καλώδιο, αλλά να πιάνετε την πρίζα.
- Μην ανοίγετε το συρταράκι απορρυπαντικών ενώ το μηχάνημα είναι σε λειτουργία.
- Μην αγγίζετε το νερό αδειάσματος, αφού μπορεί να φτάσει σε υψηλές θερμοκρασίες.
- Μην ζορίζετε σε καμία περίπτωση την πόρτα: θα μπορούσε να χαλάσει ο μηχανισμός ασφαλείας που προστατεύει από τυχαία ανοίγματα.
- Σε περίπτωση βλάβης, σε καμία περίπτωση να μην επεμβαίνετε στους εσωτερικούς μηχανισμούς προσπαθώντας να την επισκευάσετε.
- Να ελέγχετε πάντα τα παιδιά να μην πλησιάζουν στο μηχάνημα σε λειτουργία.
- Κατά το πλύσιμο η πόρτα τείνει να θερμαίνεται.
- Αν πρέπει να μετατοπιστεί, συνεργαστείτε δύο ή τρία άτομα με τη μέγιστη προσοχή. Ποτέ μόνοι σας γιατί το μηχάνημα είναι πολύ βαρύ.
- Πριν εισάγετε τη μπουγάδα ελέγξτε αν ο κάδος είναι άδειος.

Διάθεση

- Διάθεση του υλικού συσκευασίας: τηρείτε τους τοπικούς κανονισμούς, ώστε οι συσκευασίες να μπορούν να επαναχρησιμοποιηθούν.
- Η ευρωπαϊκή οδηγία 2002/96/ΕΚ για τα Απόβλητα Ηλεκτρικού και Ηλεκτρονικού Εξοπλισμού, απαιτεί ότι οι παλαιές οικιακές ηλεκτρικές συσκευές δεν πρέπει να αποβάλλονται μαζί με τα υπόλοιπα απόβλητα του δημοτικού δικτύου. Οι παλαιές συσκευές πρέπει να συλλεχθούν χωριστά προκειμένου να βελτιστοποιηθούν η αποκατάσταση και η ανακύκλωση των υλικών που περιέχουν και με σκοπό τη μείωση των βλαβερών επιπτώσεων στην ανθρώπινη υγεία και το περιβάλλον. Το σύμβολο με το διεγγραμμένο "δοχείο αποβλήτων" στο προϊόν υπενθυμίζει σε σας την υποχρέωσή σας, πως όταν επιθυμείτε να πετάξετε τη συσκευή, πρέπει να συλλεχθεί χωριστά.
Οι καταναλωτές θα πρέπει να απευθύνονται στις τοπικές αρχές ή στα καταστήματα λιανικής για πληροφορίες που αφορούν τη σωστή διάθεση των παλαιών ηλεκτρικών συσκευών.

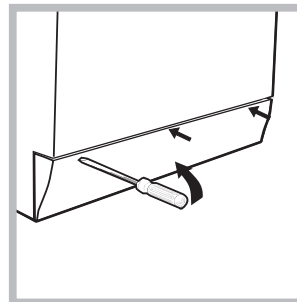
Χειρονακτικό άνοιγμα της πόρτας

Στην περίπτωση αδυναμίας ανοίγματος της πόρτας εξ αιτίας απουσίας ηλεκτρικής ενέργειας ενώ θέλετε να απλώσετε την μπουγάδα, προχωρήστε ως ακολούθως:

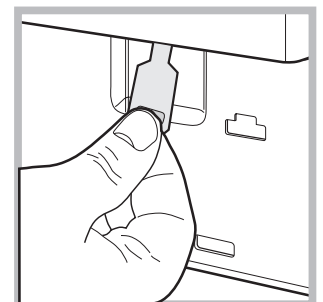
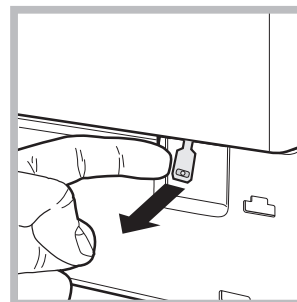


1. βγάλτε το βύσμα από την ηλεκτρική πρίζα.
2. βεβαιωθείτε ότι η στάθμη του νερού στο εσωτερικό της μηχανής είναι χαμηλότερη σε σχέση με το άνοιγμα της πόρτας. Σε αντίθετη περίπτωση αφαιρέστε το σε περίσσεια νερό μέσω του σωλήνα αδειάσματος

συλλέγοντάς το σε ένα κουβά όπως φαίνεται στη *εικόνα*.



3. αφαιρέστε το ταμπλό κάλυψης στο πρόσθιο πλευρό του πλυντηρίου με τη βοήθεια ενός κατσαβιδιού (*βλέπε εικόνα*).



4. χρησιμοποιώντας τη γλωσσίτσα που φαίνεται στην *εικόνα* τραβήξτε προς τα έξω μέχρι να ελευθερώσετε το πλαστικό από το στοπ. Τραβήξτε το ακολούθως προς τα κάτω και ταυτόχρονα ανοίξτε την πόρτα.

5. ξαναμοντάρετε το πάνελ όντας σίγουροι, πριν το σπρώξετε προς τη μηχανή, ότι έχετε εισάγει τα γαντζάκια στις αντίστοιχες εσοχές.

Συντήρηση και φροντίδα

GR

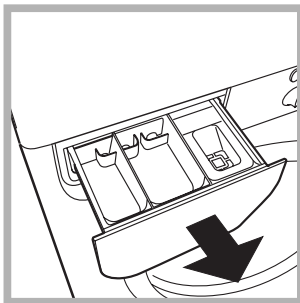
Αποκλεισμός νερού και ηλεκτρικού ρεύματος

- Κλείνετε τον κρουνό του νερού μετά από κάθε πλύσιμο. Έτσι περιορίζεται η φθορά της υδραυλικής εγκατάστασης του πλυντηρίου και αποσοβείται ο κίνδυνος απωλειών.
- Να βγάζετε το βύσμα από το ρεύμα όταν καθαρίζετε το μηχάνημα και κατά τις εργασίες συντήρησης.

Καθαρισμός του πλυντηρίου

Το εξωτερικό μέρος και τα λαστιχένια μέρη μπορούν να καθαρίζονται με ένα πανί βρεγμένο με χλιαρό νερό και σαπούνι. Μη χρησιμοποιείτε διαλύτες ή αποξυστικά.

Καθαρισμός του συρταριού απορρυπαντικών



Τραβήξτε το συρτάρι ανασηκώνοντάς το και τραβώντας το προς τα έξω (βλέπε εικόνα). Πλένετέ το κάτω από τρεχούμενο νερό. Ο καθαρισμός αυτός διενεργείται συχνά.

Φροντίδα της πόρτας και του κάδου

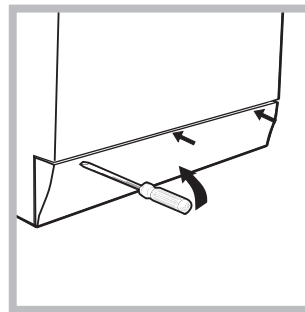
- Να αφήνετε πάντα μισόκλειστη την πόρτα για να μην παράγονται δυσοσμίες.

Καθαρισμός της αντλίας

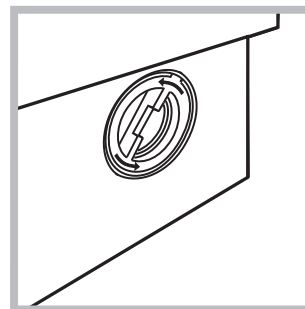
Το πλυντήριο διαθέτει μια αντλία αυτοκαθαριζόμενη που δεν χρειάζεται συντήρηση. Μπορεί, όμως, να τύχει να πέσουν μικρά αντικείμενα (κέρματα, κουμπιά) στον προθάλαμο που προστατεύει την αντλία, που βρίσκεται στο κάτω μέρος αυτής.

! Βεβαιωθείτε ότι ο κύκλος πλυσίματος έχει τελειώσει και βγάλτε το βύσμα.

Για να έχετε πρόσβαση στον προθάλαμο:



1. αφαιρέστε το ταμπλό κάλυψης στο πρόσθιο πλευρό του πλυντηρίου με τη βοήθεια ενός κατασαβιδιού (βλέπε εικόνα).



2. Ξεβιδώστε το καπάκι στρέφοντάς το αριστερόστροφα (βλέπε εικόνα): είναι φυσικό να βγαίνει λίγο νερό.

3. καθαρίστε επιμελώς το εσωτερικό.
4. ξαναβιδώστε το καπάκι.
5. ξαναμοντάρετε το πάνελ όντας σίγουροι, πριν το σπρώξετε προς τη μηχανή, ότι έχετε εισάγει τα γαντζάκια στις αντίστοιχες εσοχές.

Έλεγχος του σωλήνα τροφοδοσίας του νερού

Ελέγχετε το σωλήνα τροφοδοσίας τουλάχιστον μια φορά ετησίως. Αν παρουσιάζει σκασίματα και σχισμές αντικαθίσταται: κατά τα πλυσίματα οι ισχυρές πιέσεις θα μπορούσαν να προκαλέσουν αναπάντεχα σπασίματα.

! Μη χρησιμοποιείτε ποτέ χρησιμοποιημένους σωλήνες.

Μπορεί να συμβεί το πλυντήριο να μη λειτουργεί. Πριν τηλεφωνήσετε στην Υποστήριξη (βλέπε “Υποστήριξη”), ελέγξτε αν δεν πρόκειται για πρόβλημα που επιλύεται εύκολα με τη βοήθεια του ακόλουθου καταλόγου.

Ανωμαλίες:

Δυνατά αίτια / Λύση:

Το πλυντήριο δεν ανάβει.

- Το βύσμα δεν έχει εισαχθεί στην ηλεκτρική πρίζα ή τουλάχιστον όχι αρκετά για να κάνει επαφή.
- Στο σπίτι δεν υπάρχει ρεύμα.

Ο κύκλος πλυσίματος δεν ξεκινάει.

- Η πόρτα δεν κλείνει καλά.
- Το κουμπί ANAMMA/ΣΒΗΣΙΜΟ δεν πατήθηκε.
- Το κουμπί ΕΚΚΙΝΗΣΗ/ΠΑΥΣΗ δεν πατήθηκε.
- Η βρύση του νερού δεν είναι ανοιχτή.
- Τέθηκε μια καθυστέρηση στον χρόνο εκκίνησης (βλέπε «Εξατομικεύσεις»).

Το πλυντήριο δεν φορτώνει νερό (αναβοσβήνει γρήγορα το ενδεικτικό φωτάκι της πρώτης φάσης πλύσης).

- Ο σωλήνας τροφοδοσίας του νερού δεν είναι συνδεδεμένος στον κρουνό.
- Ο σωλήνας είναι διπλωμένος.
- Η βρύση του νερού δεν είναι ανοιχτή.
- Στο σπίτι λείπει το νερό.
- Δεν υπάρχει αρκετή πίεση.
- Το κουμπί ΕΚΚΙΝΗΣΗ/ΠΑΥΣΗ δεν πατήθηκε.

Το πλυντήριο φορτώνει και αδειάζει νερό συνεχώς.

- Ο σωλήνας αδειάσματος δεν έχει εγκατασταθεί μεταξύ 65 και 100 cm από το έδαφος (βλέπε «Εγκατάσταση»).
- Το άκρο του σωλήνα αδειάσματος είναι βυθισμένο στο νερό (βλέπε “Εγκατάσταση”).
- Το επιτοίχιο άδειασμα δεν έχει απαέρωση.

Αν μετά από αυτούς τους ελέγχους το πρόβλημα δεν λύνεται, κλείστε τη βρύση του νερού, σβήστε το πλυντήριο και καλέστε την υποστήριξη. Αν η κατοικία βρίσκεται στους τελευταίους ορόφους ενός κτιρίου, μπορεί να διαπιστωθούν φαινόμενα σιφωνισμού, οπότε το πλυντήριο φορτώνει και αδειάζει νερό συνεχώς. Για την αντιμετώπιση του προβλήματος διατίθενται στο εμπόριο κατάλληλες βαλβίδες αντι-σιφωνισμού.

Το πλυντήριο δεν φορτώνει ή δεν στύβει.

- Το πρόγραμμα δεν προβλέπει το άδειασμα: με ορισμένα προγράμματα πρέπει να το εκκινήσετε χειρονακτικά.
- Είναι ενεργή η λειτουργία “Χωρίς στύψιμο”: για την ολοκλήρωση του προγράμματος πιέστε το κουμπί ΕΚΚΙΝΗΣΗ/ΠΑΥΣΗ («Εξατομικεύσεις»).
- Ο σωλήνας αδειάσματος είναι διπλωμένος (βλέπε «Εγκατάσταση»).
- Ο αγωγός εκκένωσης είναι βουλωμένος.

Το πλυντήριο δονείται πολύ κατά το στύψιμο.

- Ο κάδος, τη στιγμή της εγκατάστασης, δεν ξεμπλόκαρε σωστά (βλέπε “Εγκατάσταση”).
- Το πλυντήριο δεν είναι οριζοντιωμένο (βλέπε “Εγκατάσταση”).
- Το πλυντήριο είναι πολύ στενά μεταξύ τοίχου και επίπλων (βλέπε “Εγκατάσταση”).

Το πλυντήριο χάνει νερό.

- Ο σωλήνας τροφοδοσίας του νερού δεν είναι καλά βιδωμένος (βλέπε “Εγκατάσταση”).
- Η θήκη των απορρυπαντικών είναι βουλωμένη (για να την καθαρίσετε βλέπε “Συντήρηση και φροντίδα”).
- Ο σωλήνας αδειάσματος δεν έχει στερεωθεί καλά (βλέπε «Εγκατάσταση»).

Τα ενδεικτικά φωτάκια των “φάσεων πλυσίματος” και εκείνο της ΠΟΡΤΑ ΑΣΦΑΛΙΣΜΕΝΗ αναβοσβήνουν γρήγορα.

- Σβήστε τη μηχανή και βγάλτε το βύσμα από την πρίζα, περιμένετε περίπου 1 λεπτό μετά ξαναάψτε τη. Αν η ανωμαλία επιμένει, καλέστε την Υποστήριξη.

Σχηματίζεται πολύς αφρός.

- Το απορρυπαντικό δεν είναι ειδικό για πλυντήριο (πρέπει να υπάρχει η ένδειξη “για πλυντήριο”, “για πλύσιμο στο χέρι και στο πλυντήριο”, ή παρόμοια).
- Η δοσολογία υπήρξε υπερβολική.

Υποστήριξη

GR

Πριν επικοινωνήσετε με την Υποστήριξη:

- Ελέγξτε αν η ανωμαλία μπορείτε να την αντιμετωπίσετε μόνοι σας (βλέπε “Ανωμαλίες και λύσεις”);
- Επανεκκινήστε το πρόγραμμα για να ελέγξετε αν το πρόβλημα αντιμετωπίστηκε;
- Σε αρνητική περίπτωση, επικοινωνήστε με την εξουσιοδοτημένη Τεχνική Υποστήριξη στον τηλεφωνικό αριθμό που υπάρχει στο πιστοποιητικό εγγύησης.

! Μην καταφεύγετε ποτέ σε μη εξουσιοδοτημένους τεχνικούς.

Γνωστοποιήστε:

- το είδος της ανωμαλίας;
- το μοντέλο του μηχανήματος (Mod.);
- τον αριθμό σειράς (S/N).

Οι πληροφορίες αυτές βρίσκονται στην ταμπελίτσα που υπάρχει στο πίσω μέρος του πλυντηρίου και στο πρόσθιο μέρος ανοίγοντας την πόρτα.

PL

Polski

IWC 6083

PL

Spis treści

Instalacja, 50-51

Rozpakowanie i wypoziomowanie
Podłączenia hydrauliczne i elektryczne
Pierwszy cykl prania
Dane techniczne

Opis pralki i uruchamianie programu, 52-53

Panel sterowania
Kontrolki
Uruchamianie programu

Programy, 54

Tabela programów

Personalizacja, 55

Ustawianie temperatury
Ustawianie wirowania
Funkcje

Środki piorące i bielizna, 56

Szufladka na środki piorące
Cykl wybielania
Przygotowanie bielizny
Tkaniny wymagające szczególnego traktowania
System równoważenia ładunku

Zalecenia i środki ostrożności, 57

Ogólne zasady bezpieczeństwa
Utylizacja
Ręczne otwieranie okrytych drzwiczek

Utrzymanie i konserwacja, 58

Odcięcie wody i prądu elektrycznego
Czyszczenie pralki
Czyszczenie szufladki na środki piorące
Konserwacja okrytych drzwiczek i bębna
Czyszczenie pompy
Kontrola przewodu doprowadzającego wodę

Nieprawidłowości w działaniu i sposoby ich usuwania, 59

Serwis Techniczny, 60

Instalacja

PL

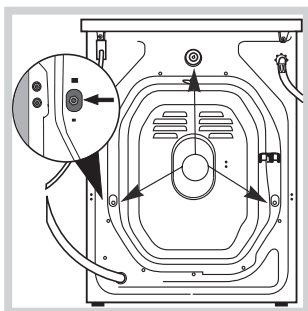
! Należy zachować niniejszą księczkę, aby móc z niej skorzystać w każdej chwili. W przypadku sprzedaży, odstąpienia lub przeniesienia pralki w inne miejsce należy zadbać o przekazanie instrukcji wraz z maszyną, aby nowy właściciel mógł zapoznać się z działaniem urządzenia i z dotyczącymi go ostrzeżeniami.

! Należy uważnie przeczytać instrukcję obsługi: zawiera ona ważne informacje dotyczące instalacji oraz bezpiecznego i skutecznego użytkowania pralki.

Rozpakowanie i wypoziomowanie

Rozpakowanie

1. Rozpakować pralkę.
2. Sprawdzić czy nie doznała ona uszkodzeń w czasie transportu. W przypadku stwierdzenia uszkodzeń nie podjąć czynności i skontaktować się ze sprzedawcą.



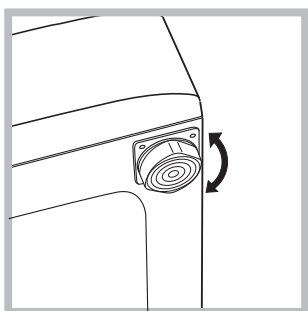
3. Odkręcić śruby zabezpieczające maszynę na czas transportu oraz zdjąć gumowy element z podkładką, znajdujący się w tylnej części pralki (patrz rysunek).

4. Zatkать otwory przy pomocy plastikowych zaślepek, znajdujących się w wyposażeniu maszyny.
5. Zachować wszystkie części: w razie konieczności przewiezienia pralki w inne miejsce, powinny one zostać ponownie zamontowane.

! Części opakowania nie są zabawkami dla dzieci.

Poziomowanie

1. Ustawić pralkę na płaskiej i twardej podłodze, nie opierając jej o ściany, meble itp.

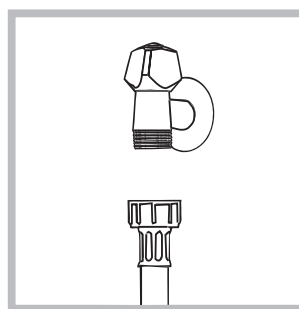


2. Jeśli podłoga nie jest idealnie pozioma, należy skompensować nierówności, odkręcając lub dokręcając przednie nóżki (patrz rysunek); kąt nachylenia, zmierzony na górnym blacie pralki nie powinien przekraczać 2°.

Staranne wypoziomowanie pralki zapewnia jej stabilność i zapobiega wibracjom, hałasowi oraz przesuwanemu się maszyny w czasie pracy. W razie ustawienia na dywanie lub wykładzinie dywanowej należy tak wyregulować nóżki, aby pod pralką pozostawała wolna przestrzeń niezbędna dla wentylacji.

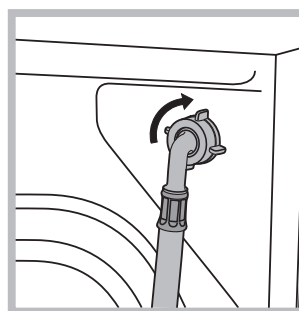
Podłączenia hydrauliczne i elektryczne

Podłączenie przewodu doprowadzającego wodę



przezroczysta.

1. Podłączyć przewód zasilający poprzez przykręcenie do zaworu wody zimnej z końcówką gwintowaną 3/4 gas (patrz rysunek). Przed podłączeniem spuścić wodę do momentu, aż stanie się ona całkowicie



2. Podłączyć do maszyny przewód doprowadzający wodę, przykręcając go do odpowiedniego otworu dopływowego, znajdując się w tylnej części pralki, z prawej strony u góry (patrz rysunek).

3. Zwrócić uwagę, aby na przewodzie nie było zagięć ani zwężeń.

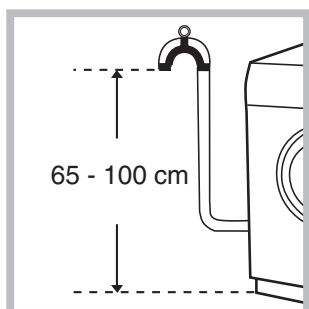
! Ciśnienie wody w kurku powinno mieścić się w przedziale podanym w tabeli Danych technicznych (patrz strona obok).

! Jeśli długość przewodu doprowadzającego wodę jest niewystarczająca, należy zwrócić się do specjalistycznego sklepu lub do autoryzowanego technika.

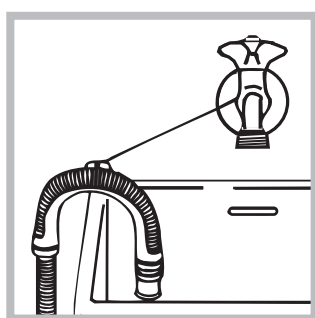
! Nigdy nie instalować już używanych przewodów.

! Stosować przewody znajdujące się w wyposażeniu maszyny.

Podłączenie przewodu odpływowego



Podst³ czyæprzewód odpływowo, nie zginaj¹ c go, do rury œciekowej lub do otworu odpływowego w œcianie, które powinny znajdowaæsiê na wysokoœci od 65 do 100 cm od podłogi;



ewentualnie oprzeægo na brzegu zlewu lub wanny, przymocowuj¹ c do kranu prowadnik, znajduj¹ cy siê w wyposaŹeniu (*patrz rysunek*). Wolny koniec przewodu odpływowego nie powinien byæ zanurzony w wodzie.

! Odradza siê stosowanie przewodów przeduŹaj¹ cych; jeœli to konieczne, przewód przeduŹaj¹ cy powinien mieætak¹ sam¹ œednicê jak oryginalny, a jego długoœæ nie moŹe przekraczaæ150 cm.

Podłączenie elektryczne

Przed wŹóŹeniem wtyczki do gniazdka elektrycznego naleŹy siê upewniæ czy:

- gniazdko posiada uziemienie i jest zgodne z obowi¹ zuj¹ cymi przepisami;
- gniazdko jest w stanie wytrzymaæmaksymalne obci¹ Źenie mocy maszyny, wskazane w tabeli Danych technicznych (*patrz obok*);
- napiêcie zasilania mieœci siê w wartoœciach wskazanych w tabeli Danych technicznych (*patrz obok*);
- gniazdko pasuje do wtyczki pralki. W przeciwnym razie naleŹy wymienięgniazdko lub wtyczkê.

! Nie naleŹy instalowaæpralki na otwartym powietrzu, nawet w osłoniêtym miejscu, gdyŹ wystawienie urz¹ dzenia na dzia¹ anie deszczu i burz jest bardzo niebezpieczne.

! Po zainstalowaniu pralki gniazdko elektryczne powinno byæatwo dostêpne.

! Nie uŹywaæprzeduŹaczy ani rozgaœŹników.

! Przewód nie powinien byæpozginany ani przygnieciony.

! Przewód zasilania elektrycznego moŹe byæ wymieniany wy³ cznie przez autoryzowanych techników.

Uwaga! Producent nie ponosi Źadnej odpowiedzialnoœci w przypadku nieprzestrzegania powyŹszych zasad.

Pierwszy cykl prania

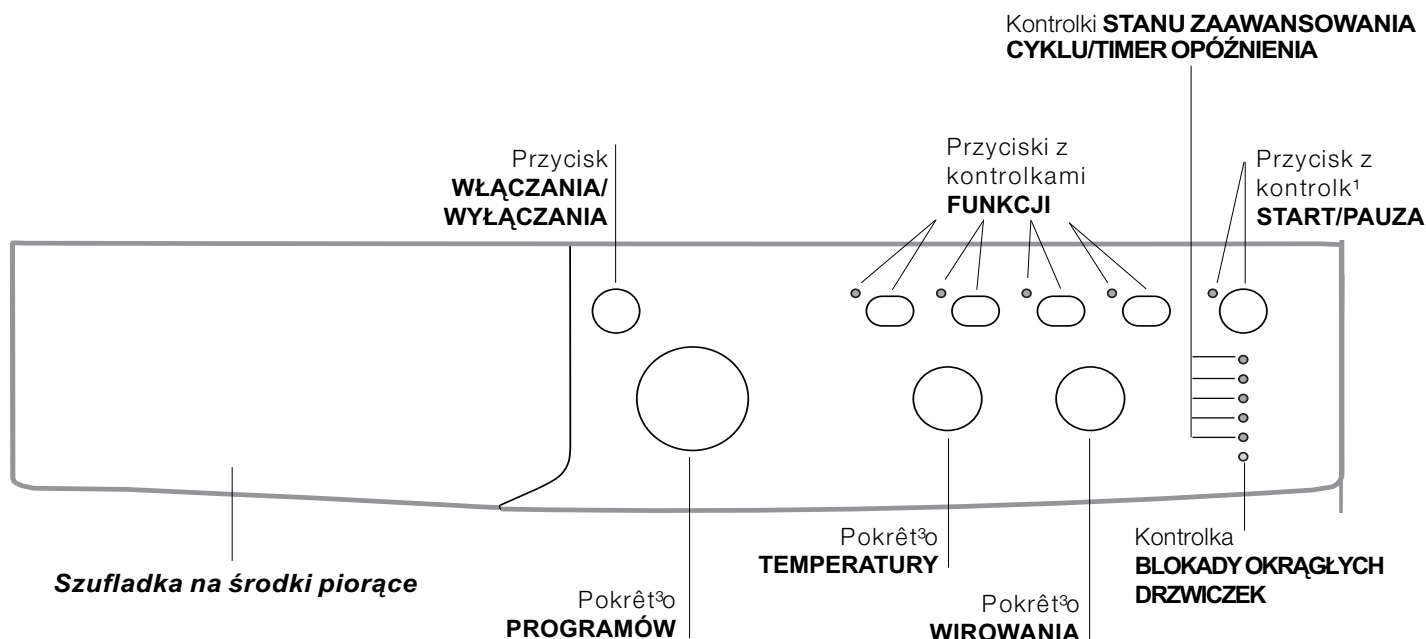
Po zainstalowaniu pralki, przed przyst¹ pieniem do jej uŹytkowania, naleŹy wykonaæjeden cykl prania ze œodkiem pior¹ cym, ale bez wsadu, nastawiaj¹ c program **3**.

Dane techniczne

Model	IWC 6083
Wymiary	szerokoœæ cm 59,5 wysokoœæ cm 85 głêbokoœæ cm 52,5
Pojemnoœæ	od 1 do 6 kg
Dane prądu elektrycznego	dane techniczne umieszczone sã na tabliczce na maszynie
Dane sieci wodociãgowej	Maksymalne ciœnienie 1 MPa (10 barów) ciœnienie minimalne 0,05 MPa (0,5 barów) pojemnoœæ bębna 46 litrów
Szybkoœæ wirowania	do 800 obrotów na minutê
Programy kontrolne zgodnie z przepisami EN 60456	program 2; temperatura 60°C; wykonane przy 6 kg załadowanej bielizny.
	Urządzenie to zostało wyprodukowane zgodnie z nastêpujãcymi przepisami EWG: - 89/336/CEE z dn. 03/05/89 (o Kompatybilnoœci Elektromagnetycznej) wraz z kolejnymi zmianami - 2006/95/CE (o Niskim Napiêciu) - 2002/96/CE

Opis pralki i uruchamianie programu

Panel sterowania



Szufladka na środki piorące: do dozowania środków piorących i dodatków (patrz „Środki piorące i bielizna”).

Przycisk **WŁĄCZANIA/WYŁĄCZANIA:** do włączania i wyłączenia pralki.

Pokrêtko **PROGRAMÓW:** do ustawiania programów. W czasie trwania programu pokrêtko pozostaje nieruchome.

Przyciski z kontrolkami **FUNKCJI:** do wyboru dostępnych funkcji. Kontrolka wybranej funkcji pozostaje zaświecona.

Pokrêtko **WIROWANIA:** do nastawienia lub wyłączenia wirowania (patrz „Personalizacja”).

Pokrêtko **TEMPERATURY:** do regulacji temperatury prania lub do nastawienia prania w zimnej wodzie (patrz „Personalizacja”).

Kontrolki **STANU ZAAWANSOWANIA CYKLU/TIMER OPÓŹNIENIA:** umożliwiają kontrolę stanu zaawansowania programu prania. Zapalona kontrolka wskazuje bieżącą fazę. Jeżeli nastawiona została funkcja „Timer opóźnienia”, kontrolki wskażą czas pozostały do uruchomienia się programu (patrz strona obok).

Kontrolka **BLOKADY OKRĄGLYCH DRZWICZEK:** pozwala sprawdzić czy możliwe jest otwarcie okrągłych drzwiczek (patrz strona obok).

Przycisk z kontrolką **START/PAUZA:** do uruchamiania programów lub ich chwilowego przerywania.

N.B.: aby przerwać wykonywane pranie, należy nacisnąć ten przycisk, jego kontrolka zacznie pulsować pomarańczowo, natomiast kontrolka bieżącej fazy będzie świecić ciężej światłem. Jeżeli kontrolka **BLOKADY OKRĄGLYCH DRZWICZEK** jest wyznaczona, można otworzyć drzwiczki pralki.

W celu ponownego uruchomienia prania od momentu, w którym zostało ono przerwane, należy ponownie nacisnąć ten przycisk.

Kontrolki

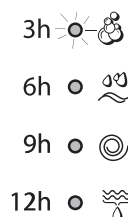
Kontrolki dostarczają ważnych informacji. Oto co sygnalizują:

Timer opóźnienia

Jeżeli została włączona funkcja „Timer opóźnienia” (*patrz „Personalizacja”*), po uruchomieniu programu zacznie pulsować kontrolka wybranego opóźnienia:








Stopniowo wskazywany będzie, poprzez pulsowanie odpowiedniej kontrolki, czas pozostający do rozpoczęcia cyklu prania.



Po upływie wybranego czasu opóźnienia rozpocznie się ustawiony program.

Kontrolki bieżącej fazy prania:

Po wybraniu i uruchomieniu danego cyklu prania kontrolki będą się kolejno zapalać, wskazując stan zaawansowania programu:

Pranie	
Płukanie	
Wirowanie	
Wydalanie wody	
Koniec prania	

Przyciski funkcyjne i ich kontrolki

Po dokonaniu wyboru funkcji jej kontrolka zaświeci się. W przypadku wyboru funkcji niezgodnej z ustawionym programem jej kontrolka zacznie pulsować i funkcja nie wstąpi w życie.

Jeżeli wybrana funkcja nie jest zgodna z inną, ustawioną wcześniej, kontrolka odpowiadająca pierwszej funkcji będzie pulsowała i uruchomiona zostanie jedynie druga funkcja a kontrolka uruchomionej funkcji zaświeci się.


Kontrolka blokady okrągłych drzwiczek

Włączona kontrolka wskazuje, że drzwiczki zostały zablokowane w celu uniemożliwienia ich otwarcia; aby można było otworzyć drzwiczki, kontrolka musi być włączona; (odczeka około 3 minuty). Aby otworzyć drzwiczki w trakcie wykonywania cyklu należy nacisnąć przycisk START/PAUZA; jeżeli kontrolka BLOKADY OKRĄGŁYCH DRZWICZEK jest włączona, można otworzyć drzwiczki.

N.B.: jeżeli funkcja „Timer opóźnienia” jest włączona, nie można otworzyć okrągłych drzwiczek, w celu ich otwarcia konieczne jest chwilowe zatrzymanie uruchomienia poprzez naciśnięcie przycisku START/PAUZA.

! Szybkie pulsowanie kontrolki „faz prania” oraz kontrolki BLOKADY OKRĄGŁYCH DRZWICZEK sygnalizuje wystąpienie nieprawidłowości (*patrz „Nieprawidłowości w działaniu i sposoby ich usuwania”*).

Uruchamianie programu

- Włączoną pralkę, naciskając przycisk WŁĄCZANIE / WYŁĄCZANIE. Wszystkie kontrolki zapalą się na kilka sekund, następnie wygasną i zacznie pulsować kontrolka START/PAUZA.
- Załadować białą bieliznę i zamknąć drzwiczki pralki.
- Ustawić dany program przy pomocy pokręć PROGRAMÓW.
- Ustawić temperaturę prania (*patrz „Personalizacja”*).
- Ustawić szybkość wirowania (*patrz „Personalizacja”*).
- Wysypać proszek piorący i dodatki (*patrz „Środki piorące i bielizna”*).
- Wybrać dane funkcje.
- Uruchomić program naciskając przycisk START/PAUZA, kontrolka programu będzie świecić ciągłym światłem w kolorze zielonym. Aby anulować ustawiony cykl, należy chwilowo zatrzymać uruchomienie, naciskając przycisk START/PAUZA, i wybrać nowy cykl.
- Po zakończeniu programu zapali się kontrolka END. Po zgłoszeniu kontrolki BLOKADY OKRĄGŁYCH DRZWICZEK  można otworzyć drzwiczki. Wyjąć bieliznę i pozostawić drzwiczki pralki uchylone, aby bębny mogły wyschnąć. Włączoną pralkę, naciskając przycisk WŁĄCZANIE/WYŁĄCZANIE.

Programy

PL

Tabela programów

Programy	Opis programu	Temp. max (°C)	Prędkość max (obrotów w minutę)	Środki piorące				Ładunek max (kg)		Czas trwania cyklu	
				Pranie Wstępne	Pranie	Wybielacz	Środek zmiękczający	Normalny	Eco Time	Normalny	Eco Time
Programy codzienne (Daily)											
1	BAWEŁNA PRANIE WSTĘPNE: bielizna biała silnie zabrudzona.	90°	800	●	●	-	●	6	-	164	-
2	BAWEŁNA: bielizna biała silnie zabrudzona.	90°	800	-	●	●	●	6	-	145	-
2	BAWEŁNA (1): tkaniny białe i kolorowe, wytrzymałe, mocno zabrudzone.	60°	800	-	●	●	●	6	-	137	-
2	BAWEŁNA (2): tkaniny białe i kolorowe, delikatne, mocno zabrudzone.	40°	800	-	●	●	●	6	-	123	-
3	BAWEŁNA: tkaniny białe i kolorowe, wytrzymałe, mocno zabrudzone.	60°	800	-	●	●	●	6	3,25	119	115
4	BAWEŁNA KOLOROWE (3): tkaniny białe lekko zabrudzone i delikatne kolorowe.	40°	800	-	●	●	●	6	3,25	89	75
5	SYNTETYCZNE: tkaniny kolorowe, wytrzymałe, mocno zabrudzone.	60°	800	-	●	●	●	2,5	2	85	60
Programy specjalne (Special)											
6	WELNA: do wełny, kaszmiru, itp.	40°	600	-	●	-	●	1,5	-	55	-
7	JEDWAB/FIRANY: do jedwabiu, wiskozy, bielizny.	30°	0	-	●	-	●	1	-	55	-
8	JEANS	40°	800	-	●	-	●	3	-	80	-
9	EXPRESS: w celu szybkiego odświeżenia lekko zabrudzonych tkanin (nie wskazany dla wełny, jedwabiu i tkanin przeznaczonych do prania ręcznego).	30°	800	-	●	-	●	1,5	-	15	-
10	OUTWEAR	30°	400	-	●	-	-	2	-	46	-
Sport											
11	Sport Intensive	30°	600	-	●	-	●	3	-	80	-
12	Sport Light	30°	600	-	●	-	●	3	-	70	-
13	Sport Shoes	30°	600	-	●	-	●	Maks. 2 pary.	-	50	-
Programy czesciowe											
	Płukanie	-	800	-	-	●	●	6	-	36	-
	Wirowanie	-	800	-	-	-	-	6	-	16	-
	Wydalenie wody	-	0	-	-	-	-	6	-	2	-

Podane w tabeli dane mają charakter orientacyjny.

Dla wszystkich Instytucji homologacyjnych:

- 1) Program kontrolny zgodny z normą EN 60456: ustawić program 2, wybierając temperaturę 60°C.
- 2) Program bawełna, długi: ustawić program 2, wybierając temperaturę 40°C.
- 3) Program bawełna, krótki: ustawić program 4, wybierając temperaturę 40°C.

Programy specjalne

Express (program 9) to program przeznaczony do prania lekko zabrudzonej bielizny w krótkim czasie: trwa on tylko 15 minut i pozwala dzięki temu na zaoszczędzenie energii i czasu. Ustawiaj c program (9 w temperaturze 30°C) można razem wyprać różnego rodzaju tkaniny (z wyjątkiem wełny i jedwabiu), przy maksymalnym ładunku 1,5 kg.

Outwear (program 10) został opracowany do prania tkanin hydrofobowych i wiatrówek (z takich materiałów jak np. Gore-Tex, poliester, nylon); w celu uzyskania jak najlepszych rezultatów należy używać tylko płynnych środków do prania, w takiej ilości jak na poziomie zwykłego wsadu; wcześniej zaprać miankiety, kołnierzyki i plamy; nie stosować proszku zmiękczającego ani środków do prania zawierających cynk. **Nie można używać tego programu do prania kurtek puchowych.**

Sport Intensive (program 11) został opracowany do prania tkanin używanych do produkcji odzieży sportowej (dresów, krótkich spodenek itp.) o dużym stopniu zabrudzenia; dla uzyskania najlepszych rezultatów prania zaleca się nie przekraczać maksymalnego wsadu określonego w „Tabela programów”.

Sport Light (program 12) został opracowany do prania tkanin używanych do produkcji odzieży sportowej (dresów, krótkich spodenek itp.) o niewielkim stopniu zabrudzenia; dla uzyskania najlepszych rezultatów prania zaleca się nie przekraczać maksymalnego wsadu określonego w „Tabela programów”. Zaleca się stosowanie płynnych środków do prania, w ilości jak dla poziomu wsadu.

Sport Shoes (program 13) został opracowany do prania obuwia sportowego; dla uzyskania najlepszych rezultatów nie należy prać jednocześnie więcej niż 2 par obuwia.

Program przeciw gniciu tkanin

Funkcja ta przerywa program prania, zatrzymując bieliznę zamoczoną w wodzie przed opróżnieniem pralki z wody. Aktywna jest tylko w programie 7 (Jedwab / Zasłony) i służy do unikania tworzenia się zagnieceń. Aby zakończyć cykl, należy nacisnąć przycisk START/PAUZA.

Ustawianie temperatury

Obracając pokrętką TEMPERATURA ustawia się temperaturę prania (patrz *Tabela programów*).

Temperaturę można zmniejszać aż do prania w zimnej wodzie ❄️.

Pralka automatycznie uniemożliwi ustawienie temperatury wyższej od maksymalnej temperatury przewidzianej dla danego programu.

Ustawianie wirowania

Obracając pokrętką WIROWANIE ustawia się prędkość wirowania dla wybranego programu.

Maksymalne prędkości przewidziane dla poszczególnych programów są następujące:

Programy	Prędkość maksymalna
Bawełna	800 obrotów na minutę
Tkaniny syntetyczne	800 obrotów na minutę
Wełna	600 obrotów na minutę
Jedwab	tylko odprowadzenie wody

Prędkość wirowania może zostać zmniejszona, można też całkowicie wyłączyć wirowanie, wybierając symbol ⓪.

Pralka automatycznie uniemożliwi wykonanie wirowania z prędkością większą niż maksymalna prędkość wirowania przewidziana dla danego programu.

Funkcje

Różne funkcje, w jakie wyposażona jest pralka, pozwalają na uzyskanie oczekiwanej czystości i bieli prania.

Aby włączyć poszczególne funkcje, należy:

1. nacisnąć przycisk odpowiadający danej funkcji;
2. zapalenie się jego kontrolki sygnalizuje, że funkcja jest włączona.

Uwaga: Szybkie pulsowanie kontrolki wskazuje, że danej funkcji nie można ustawić dla wybranego programu.

ECOTime

W przypadku wyboru tej opcji ruchu bębna, temperatura i woda są dostosowywane do niedużego wsadu tkanin bawełnianych i syntetycznych, o niewielkim stopniu zabrudzenia (*patrz „Tabela programów”*). „ECOTime” możesz prąść szybciej, oszczędzając wodę i energię. Zaleca się stosować płynny środek do prania, dostosowując jego ilość do ilości wsadu.

! Funkcji tej nie można włączyć w programach 1, 2, 6, 7, 8, 9, 10, 11, 12, 13, 🌀, ⓪, 🌀.

🧼 Odplamianie

Cykl wybielania pomocny przy usuwaniu wytrzymałych plam. Należy pamiętać o dodaniu wybielacza do dodatkowego pojemnika 4 (*patrz „Cykl wybielania”*).

! Funkcji tej nie można włączyć w programach 1, 6, 7, 8, 9, 10, 11, 12, 13, ⓪, 🌀.

👚 Płukanie dodatkowe

Wybierając tę opcję zwiększa się skuteczność płukania i zapewnia się optymalne usunięcie środka piorącego. Jest to przydatne w przypadku, gdy skóra jest szczególnie wrażliwa na środki piorące.

! Funkcji tej nie można włączyć w programach 9, ⓪, 🌀.

🕒 Timer opóźnienia

Opóźnia uruchomienie urządzenia do 12 godzin.

Należy kilkakrotnie nacisnąć przycisk, aż do zawiązania się kontrolki odpowiadającej danemu opóźnieniu. Po piątym naciśnięciu przycisku funkcja wyłącza się.

N.B.: po naciśnięciu przycisku START/PAUZA można zmienić wartość opóźnienia tylko na mniejszą, aż do uruchomienia ustawionego programu.

! Jest aktywny ze wszystkimi programami.

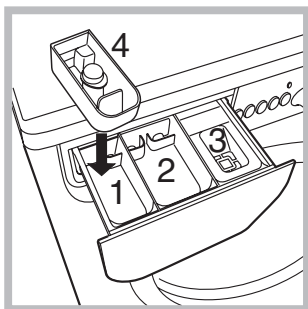
Środki piorące i bielizna

PL

Szufladka na środki piorące

Dobry rezultat prania zależy również od prawidłowego dozowania środka piorącego: użycie jego nadmiernej ilości nie poprawia skuteczności prania, lecz przyczynia się do powstawania nalotów na wewnętrznych częściach pralki i do zanieczyszczenia środowiska.

! Nie stosować środków do prania ręcznego, ponieważ tworzą one za dużo piany.



Wysunąć szufladkę i umieścić w niej środek piorący lub dodatkowy w następujący sposób.

przegrodka 1: Środek piorący do prania wstępnego (w proszku)

Przed wsypaniem środka piorącego należy sprawdzić czy nie jest włączona dodatkowa przegroдка 4.

przegrodka 2: Środek piorący do prania właściwego (w proszku lub w płynie)

Płynny środek do prania należy wlać dopiero przed samym uruchomieniem programu.

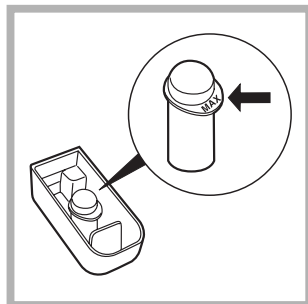
przegrodka 3: Środki dodatkowe (zmiękczające, itp.)

Środek zmiękczający nie powinien wypływać poza kratkę.

dodatkowa przegroдка 4: Wybielacz

Cykl wybielania

! **Tradycyjnego** wybielacza używa się do białych tkanin wytrzymałych, **delikatnego** – do tkanin kolorowych, syntetycznych i do wełny.



Funkcja ta przydatna jest w celu usuwania bardziej opornych plam. Wstawić dodatkowy pojemniczek 4, na wyposażeniu, do przegroдки 1. Przy dozowaniu wybielacza nie przekroczyć poziomu „max” wskazanego na

środkowej części (patrz rysunek).

Aby wykonać tylko wybielanie, należy wlać wybielacz do dodatkowego pojemnika 4 i ustawić program „Pukanie” i uruchomić funkcję „Odplamianie”.

Aby przeprowadzić wybielanie w trakcie prania, należy wlać odpowiednie środki piorące i

dodatkowe, ustawić dany program i uruchomić funkcję „Odplamianie”.

Użycie pojemniczka dodatkowego 4 wyklucza pranie wstępne.

Przygotowanie bielizny

- Podzielić bieliznę do prania według:
 - rodzaju tkaniny / symbolu na etykiecie.
 - kolorów: oddzielić tkaniny kolorowe od białych.
- Opróżnić kieszenie i sprawdzić guziki.
- Nie przekraczać wskazanego ciężaru suchej bielizny:
 - Tkaniny wytrzymałe: max 6 kg
 - Tkaniny syntetyczne: max 2,5 kg
 - Tkaniny delikatne: max 2 kg
 - Wełna: max 1,5 kg
 - Jedwab: max 1 kg

Ile waży bielizna?

- 1 prześcieradło 400-500 gr.
- 1 poszewka 150-200 gr.
- 1 obrus 400-500 gr.
- 1 szlafrok 900-1.200 gr.
- 1 ręcznik 150-250 gr.

Tkaniny wymagające szczególnego traktowania

Wełna: za pomocą programu 6 można prać pralkę także odzież wełnianą, również tę opatrzoną etykietą „tylko pranie ręczne”. Aby uzyskać najlepsze rezultaty, należy stosować specjalny środek do prania i nie przekraczać wsadu 1,5 kg.

Jedwab: stosować odpowiedni program 7 do prania wszelkiego rodzaju wyrobów z jedwabiu. Zaleca się stosowanie specjalnego środka piorącego do tkanin delikatnych.

Firany: włożyć je do poszewki lub do siatkowatego worka. Stosować program 7.

Jeans: przed praniem odwrócić odzież na lewą stronę, stosować płynny środek do prania. Używać programu 8.

System równowagi ładunku

Przed każdym wirowaniem, aby uniknąć nadmiernych drgań oraz jednorodnie rozłożyć wsad, bęben wykonuje obroty z prędkością nieco większą niż podczas prania. Jeśli mimo kolejnych prób wsad nie zostanie równomiernie rozłożony, maszyna wykona wirowanie z prędkością mniejszą od przewidzianej. W przypadku nadmiernego nierównowagi pralka wykona rozłożenie wsadu zamiast wirowania. Aby zapewnić lepsze rozłożenie wsadu oraz jego właściwe zrównoważenie, zaleca się wymieszanie dużych i małych sztuk bielizny.

Zalecenia i środki ostrożności

! Pralka została zaprojektowana i wyprodukowana zgodnie z międzynarodowymi normami bezpieczeństwa. Niniejsze ostrzeżenia zostały tu zamieszczone ze względów bezpieczeństwa i należy je uważnie przeczytać

Ogólne zasady bezpieczeństwa

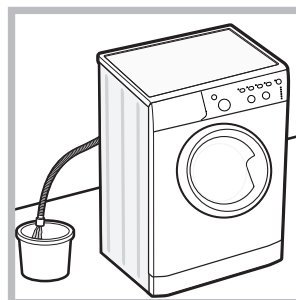
- Urządzenie to zostało zaprojektowane wyłącznie do użytkowania w warunkach domowych.
- Pralki powinny używać wyłącznie osoby dorosłe i w sposób zgodny z instrukcjami podanymi w niniejszej książce.
- Nie dotykaj pralki, stojąc przy niej boso lub mając mokre lub wilgotne ręce albo stopy.
- Nie wyjmuj wtyczki z gniazdka, ciągnąc za kabel, lecz trzymając go za wtyczkę.
- W trakcie pracy maszyny nie otwieraj drzwi na siłę.
- Nie dotykaj przewodzonej wody, gdyż może ona osiągnąć wysokie temperatury.
- W żadnym wypadku nie otwieraj okrągłych drzwi pralki na siłę: grozi to uszkodzeniem mechanizmu zabezpieczającego drzwi przed przypadkowym otwarciem.
- W razie wystąpienia usterki nie należy w żadnym wypadku próbować dostać się do wewnętrznych części pralki z zamiarem samodzielnego dokonania naprawy.
- Zawsze uważaj, aby dzieci nie zbliżyły się do pracującej pralki.
- W czasie prania okrągłe drzwi pralki nagrzewają się.
- Jeśli trzeba przenieść pralkę w inne miejsce, należy to robić bardzo ostrożnie, w dwie lub trzy osoby. Nigdy nie przenoszą pralki samodzielnie, gdyż jest ona bardzo ciężka.
- Przed włożeniem bielizny sprawdź czy bęben jest pusty.

Utylizacja

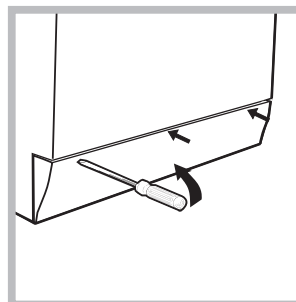
- Utylizacja opakowania: stosować się do lokalnych przepisów, dzięki temu opakowanie będzie mogło zostać ponownie wykorzystane.
- Europejska Dyrektywa 2002/96/EC dotycząca Zużytych Elektrycznych i Elektronicznych Urządzeń zakłada zakaz pozbywania się starych urządzeń domowego użytku jako nieposortowanych odpadów komunalnych. Zużyte urządzenia muszą być osobno zbierane i sortowane w celu zoptymalizowania odzyskania oraz ponownego przetworzenia pewnych komponentów i materiałów. Pozwala to ograniczyć zanieczyszczenie środowiska i pozytywnie wpływa na ludzkie zdrowie. Przekreślony symbol „kosza” umieszczony na produkcie przypomina klientowi o obowiązku specjalnego sortowania. Konsumenci powinni kontaktować się z władzami lokalnymi lub sprzedawcą w celu uzyskania informacji dotyczących postępowania z ich zużytymi urządzeniami gospodarstwa domowego.

Ręczne otwieranie okrągłych drzwi

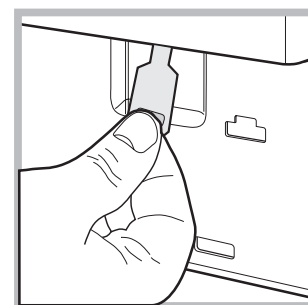
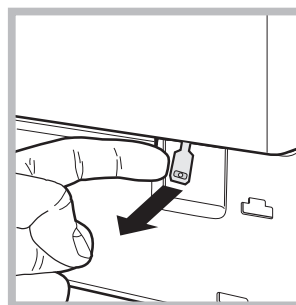
Jeśli z powodu przerwy w dostawie energii elektrycznej nie jest możliwe otwarcie okrągłych drzwi, w celu wyjęcia i rozwieszenia prania należy wykonać następujące czynności:



1. wyjąć wtyczkę z gniazdka elektrycznego.
2. sprawdzić czy poziom wody wewnątrz maszyny znajduje się poniżej poziomu otwarcia drzwi; w przeciwnym wypadku usunąć nadmiar wody przez przewód odpływowy, zbierając ją do wiaderka w sposób wskazany na rysunku.



3. zdjąć panel pokrywy z przedniej strony pralki przy pomocy śrubokrętu (patrz rysunek).



4. pociągnąć z zewnątrz kławkę wskazaną na rysunku, aż do wyzwolenia się z zacisku plastikowego zaczepu; następnie pociągnąć go w dół i równocześnie otworzyć drzwi.

5. ponownie zamocować panel upewniwszy się, przed dociśnięciem go do maszyny, czy zatrzaski zostały umieszczone w odpowiednich otworach.

Utrzymanie i konserwacja

PL

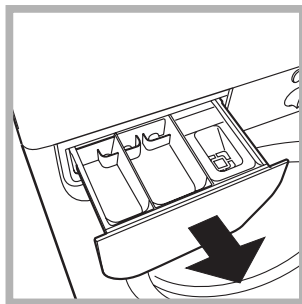
Odlączenie wody i prądu elektrycznego

- Zamknij kurek dopływu wody po każdym praniu. W ten sposób zmniejsza się zużycie instalacji hydraulicznej pralki oraz eliminuje się niebezpieczeństwo wycieków.
- Przed przystąpieniem do czyszczenia pralki oraz do czynności konserwacyjnych wyjdź awtyczkê z gniazdka.

Czyszczenie pralki

Obudowę zewnêtrzn¹ i gumowe czêœci pralki mo¿na myæ œcierczk¹ zmozon¹ w letniej wodzie z myd³em. Nie stosowaæ rozpuszczalników ani œciernych œrodków czyszcz¹cych.

Czyszczenie szufladki na œrodki piorące



Wysun¹ œszufladkê, unosz¹ c j¹ lekko ku górze i wyci¹ gaj¹ c na zewn¹ trz (*patrz rysunek*). Wyp³uka œszufladkê pod bie¿¹ c¹ wod¹. Czynnoœc¹ nale¿y wykonywaæ stosunkowo czêsto.

Konserwacja okrągłych drzwiczek i bębna

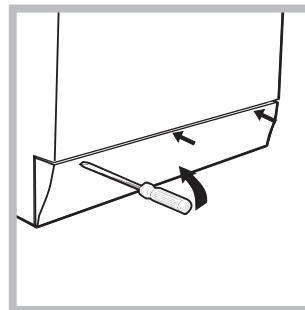
- Drzwiczki pralki nale¿y zawsze pozostawiaæ uchylone, aby zapobiec tworzeniu siê nieprzyjemnych zapachów.

Czyszczenie pompy

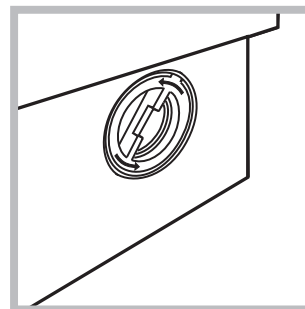
Pralka wyposa¿ona jest w pompê samoczyszcz¹c¹, która nie wymaga zabiegów konserwacyjnych. Mo¿e siê jednak zdarzyæ, ¿e drobne przedmioty (monety, guziki) wpadn¹ do komory wstêpnej zabezpieczaj¹cej pompê, która znajduje siê w jej dolnej czêœci.

! Nale¿y siê upewniæ, ¿e cykl prania zosta³ zakoñczony i wyjd¹ awtyczkê z gniazdka.

Aby dostaæ siê do komory wstêpnej:



1. zdj¹ panel pokrywy z przedniej strony pralki przy pomocy œubokrêtu (*patrz rysunek*);



2. odkrêciæ pokrywê, obracaj¹c j¹ w kierunku przeciwnym do ruchu wskazówek zegara (*patrz rysunek*): wyp³ynie niewielkiej iloœci wody jest normalnym zjawiskiem;

3. dok³adnie wyczyœciæ wewnêtrze;
4. ponownie przykrêciæ pokrywê;
5. ponownie za³o¿yæ panel upewniwszy siê, przed doci¹niêciem go do maszyny, czy zatrzaski zosta³y umieszczone w odpowiednich otworach.

Kontrola przewodu doprowadzaj¹cego wodê

Przynajmniej raz w roku nale¿y sprawdziæ przewod doprowadzaj¹cy wodê. Jeœli widoczne s¹ na nim p¹kniêcia i rysy, nale¿y go wymieniæ w trakcie prania du¿e ciœnienie mo¿e bowiem spowodowaæ jego nag³e zerwanie.

! Nigdy nie instalowaæ ju¿ u¿ywanym przewodów.

Nieprawidłowości w działaniu i sposoby ich usuwania

Może się zdarzyć że pralka nie działa. Przed wezwaniem Serwisu Technicznego (*patrz „Serwis Techniczny”*) należy sprawdzić czy problemu nie da się łatwo rozwiązać przy pomocy poniższego wykazu.

Nieprawidłowości w działaniu: **Możliwe przyczyny / Rozwiązania:**

Pralka nie włącza się.

- Wtyczka nie jest w³czona do gniazdka lub jest wsunięta za słabo, tak że nie ma styku.
- W domu nastąpiła przerwa w dostawie prądu.

Cykl prania nie rozpoczyna się.

- Drzwiczki pralki nie są dobrze zamknięte.
- Nie została wciśnięta przycisk WŁĄCZANIA/WYŁĄCZANIA.
- Nie została wciśnięta przycisk START/PAUZA.
- Kurek dopływu wody jest zamknięty.
- Zostało nastawione opóźnienie startu (*patrz „Personalizacja”*).

Pralka nie pobiera wody (szybko pulsuje kontrolka pierwszej fazy prania).

- Przewód doprowadzający wodę nie jest podłączony do kurka.
- Przewód jest zgięty.
- Kurek dopływu wody jest zamknięty.
- W domu nastąpiła przerwa w dostawie wody.
- Ciężnienie wody nie jest wystarczające.
- Nie została wciśnięta przycisk START/PAUZA.

Pralka cały czas pobiera i odprowadza wodę.

- Przewód odpływowy nie został zainstalowany na wysokości między 65 a 100 cm od podłogi (*patrz „Instalacja”*).
- Końcówka przewodu odpływowego jest zanurzona w wodzie (*patrz „Instalacja”*).
- Otwór odpływowy w łazience nie posiada odpowietrznika.

Jeżeli po sprawdzeniu tych możliwości problem nie zostanie rozwiązany, należy zamknąć kurek dopływu wody, wyłączyć pralkę i wezwać Serwis Techniczny. Jeżeli mieszkanie znajduje się na najwyższych piętrach budynku, może wystąpić efekt syfonu, w wyniku którego pralka cały czas pobiera i odprowadza wodę. W celu wyeliminowania tej niedogodności należy zakupić specjalny zawór, zapobiegający powstawaniu efektu syfonu.

Pralka nie odprowadza wody i nie odwirowuje prania.

- Program nie przewiduje odprowadzania wody: w przypadku niektórych programów należy uruchomić ręcznie.
- Włączona jest funkcja “Program przeciw gniciu tkanin”: aby zakończyć program, należy nacisnąć przycisk START/PAUZA (*„Personalizacja”*).
- Przewód odpływowy jest zgięty (*patrz „Instalacja”*).
- Instalacja odpływowa jest zatkana.

Pralka mocno wibruje w fazie wirowania.

- Podczas instalacji pralki bębien nie został prawidłowo odblokowany (*patrz „Instalacja”*).
- Pralka nie jest równo wypoziomowana (*patrz „Instalacja”*).
- Pralka, zainstalowana pomiędzy meblami a ścianą, ma za mało miejsca (*patrz „Instalacja”*).

Z pralki wycieka woda.

- Przewód doprowadzający wodę nie jest dobrze przykręcony (*patrz „Instalacja”*).
- Szufładka na ośdki piorące jest zatkana (w celu jej oczyszczenia *patrz „Utrzymanie i konserwacja”*).
- Przewód odpływowy nie jest dobrze zamocowany (*patrz „Instalacja”*).

Kontrolki „faz prania” oraz BLOKADY OKRĄGŁYCH DRZWICZEK szybko pulsują.

- Wyłączyć maszynę i wyjąć wtyczkę z gniazdka, odczekać około 1 minuty, następnie włączyć ponownie. Jeżeli problem nie ustępuje, należy wezwać Serwis Techniczny.

Tworzy się zbyt duża ilość piany.

- Ośdek piorący nie jest odpowiedni do pralek automatycznych (na opakowaniu musi być umieszczony napis: „do pralek”, „do prania ręcznego i w pralce” lub podobny).
- Użyto za dużo ośodka piorącego.

Serwis Techniczny

PL

Przed skontaktowaniem się z Serwisem Technicznym:

- Sprawdź czy problemu nie można rozwiązać samodzielnie (*patrz „Nieprawidłowości w działaniu i sposoby ich usuwania”*);
- Ponownie uruchom program i sprawdź czy problem nie zniknął;
- Jeśli nie, zwróć się do autoryzowanego Serwisu Technicznego, dzwoniąc pod numer podany w karcie gwarancyjnej.

! Nigdy nie wzywaj autoryzowanych techników.

Należy podać:

- rodzaj nieprawidłowości;
- model maszyny (Mod.);
- numer seryjny (S/N).

Informacje te znajdują się na tabliczce umieszczonej w tylnej części pralki oraz widocznej z przodu po otwarciu drzwiczek.

RO

Română

IWC 6083

Sumar

Instalare, 62-63

Despachetare și punere la nivel
Racorduri hidraulice și electrice
Primul ciclu de spălare
Date tehnice

Descrierea mașinii de spălat și activarea unui program, 64-65

Panoul de control
Indicatoare luminoase
Activarea unui program

Programe, 66

Tabel de programe

Personalizare, 67

Reglarea temperaturii
Reglarea centrifugării
Funcții

Detergenți și rufe albe, 68

Compartimentul pentru detergenți
Ciclu de albire
Pregătirea rufelor
Articole delicate
Sistemul de echilibrare a încărcăturii

Precauții și sfaturi, 69

Norme de protecție și siguranță generale
Aruncarea reziduurilor
Deschiderea manuală a ușii

Întreținere și curățare, 70

Înteruperea alimentării cu apă și curent electric
Curățarea mașinii de spălat
Curățarea compartimentului pentru detergent
Îngrijirea ușii și a tamburului
Curățarea pompei
Controlarea furtunului de alimentare cu apă

Anomalii și remedii, 71

Asistență, 72

Instalare

RO

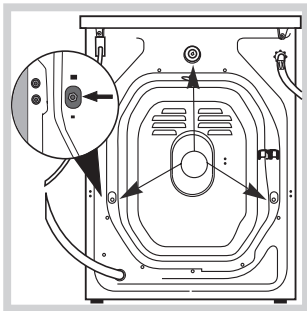
! Este important să păstrați acest manual pentru a-l putea consulta în orice moment. În caz de vânzare, de cesiune sau de schimbare a locuinței, acesta trebuie să rămână împreună cu mașina de spălat pentru a informa noul proprietar cu privire la funcționare și la respectivele avertismente.

! Citiți cu atenție instrucțiunile: veți găsi informații importante cu privire la instalare, la folosire și la siguranță.

Despachetare și punere la nivel

Despachetare

1. Scoaterea din ambalaj a mașinii de spălat.
2. Controlați ca mașina de spălat să nu fi fost deteriorată în timpul transportului. Dacă este deteriorată nu o conectați și luați legătura cu vânzătorul.



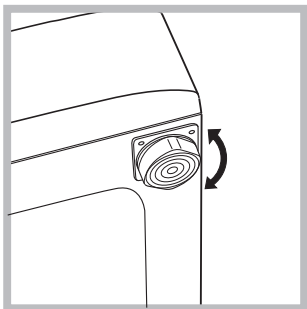
3. Scoateți cele 3 șuruburi de protecție pentru transport și cauciucul cu respectivul distanțier, situate în partea posterioară (a se vedea figura).

4. Închideți orificiile cu dopurile din plastic aflate în dotare.
5. Păstrați toate piesele: pentru cazul în care mașina de spălat va trebui să fie transportată, piesele vor trebui montate din nou.

! Ambalajele nu sunt jucării pentru copii!

Punere la nivel

1. Instalați mașina de spălat pe o suprafață plană și rigidă, fără a o sprijini de ziduri, mobilă sau altceva.

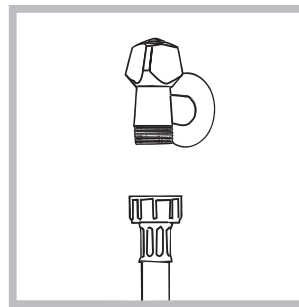


2. Dacă podeaua nu este perfect orizontală, compensați neregularitățile deșurubând sau înșurubând piciorușele anterioare (a se vedea figura); unghiul de înclinare, măsurat pe planul de lucru, nu trebuie să depășească 2°.

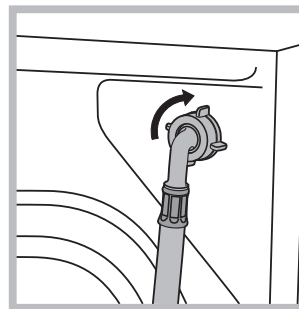
O nivelare precisă conferă stabilitate mașinii și evită vibrații, zgomote și deplasări pe timpul funcționării. În cazul mochetelor sau a unui covor, reglați piciorușele astfel încât să mențineți sub mașina de spălat un spațiu suficient pentru ventilare.

Racorduri hidraulice și electrice

Racordarea furtunului de alimentare cu apă



1. Conectați tubul de alimentare, înșurubându-l la un robinet de apă rece cu gura filetată de 3/4 gaz (a se vedea figura). Înainte de conectare, lăsați apa să curgă până când nu a devine limpede.



2. Conectați tubul de alimentare la mașina de spălat, înșurubându-l la sursa de apă respectivă, amplasată în partea posterioară, sus în dreapta (a se vedea figura).

3. Fiți atenți ca furtunul să nu fie nici pliat nici îndoit.

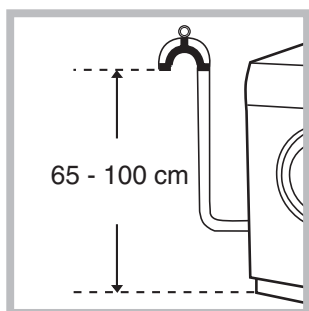
! Presiunea apei de la robinet trebuie să fie cuprinsă în valorile din tabelul Date tehnice (a se vedea pagina alăturată).

! Dacă lungimea furtunului de alimentare nu este suficientă, adresați-vă unui magazin specializat sau unui instalator autorizat.

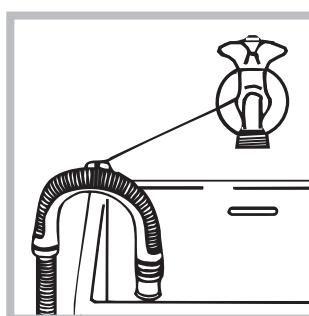
! Nu folosiți niciodată tuburi folosite deja.

! Utilizați tuburile furnizate împreună cu mașina.

Conectarea furtunului de golire



Conectați furtunul de golire - fără a-l îndoi - la canalizare sau la racordul de golire prevăzut pe perete, la o înălțime de 65 - 100 cm de sol;



Sprrijiniți-l de marginea căzii sau chiuvetei și racordați șina de ghidare din dotare la robinet (*a se vedea figura*). Capătul liber al furtunului de golire nu trebuie să rămână cufundat în apă.

! Nu se recomandă folosirea furtunurilor prelungitoare; dacă este indispensabil, acestea trebuie să aibă același diametru ca și furtunul original și nu trebuie să depășească 150 cm lungime.

Racordarea electrică

Înainte de a introduce stecherul în priză, asigurați-vă ca:

- priza să fie cu împământare și conform prevederilor legale;
- priza să poată suporta sarcina maximă de putere a mașinii, indicată în tabelul Date Tehnice (*a se vedea alături*);
- tensiunea de alimentare să fie cuprinsă în valorile indicate în tabelul Date Tehnice (*a se vedea alături*);
- priza să fie compatibilă cu stecherul mașinii de spălat. În caz contrar înlocuiți stecherul.

! Mașina de spălat nu trebuie instalată afară, nici chiar în cazul în care spațiul este adăpostit, deoarece este foarte periculoasă expunerea mașinii la ploi și furtuni.

! După instalarea mașinii de spălat, priza de curent trebuie să fie ușor accesibilă.

! Nu folosiți prelungitoare și prize multiple.

! Cablul nu trebuie să fie îndoit sau comprimat.

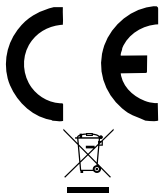
! Cablul de alimentare trebuie să fie înlocuit doar de tehnicieni autorizați ai centrului de service ce apare scris pe certificatul de garanție emis de producător.

Atenție! Producătorul își declină orice responsabilitate în cazul în care aceste norme nu se respectă.

Primul ciclu de spălare

După instalare, înainte de folosire, efectuați un ciclu de spălare cu detergent și fără rufe, selectând programul 3.

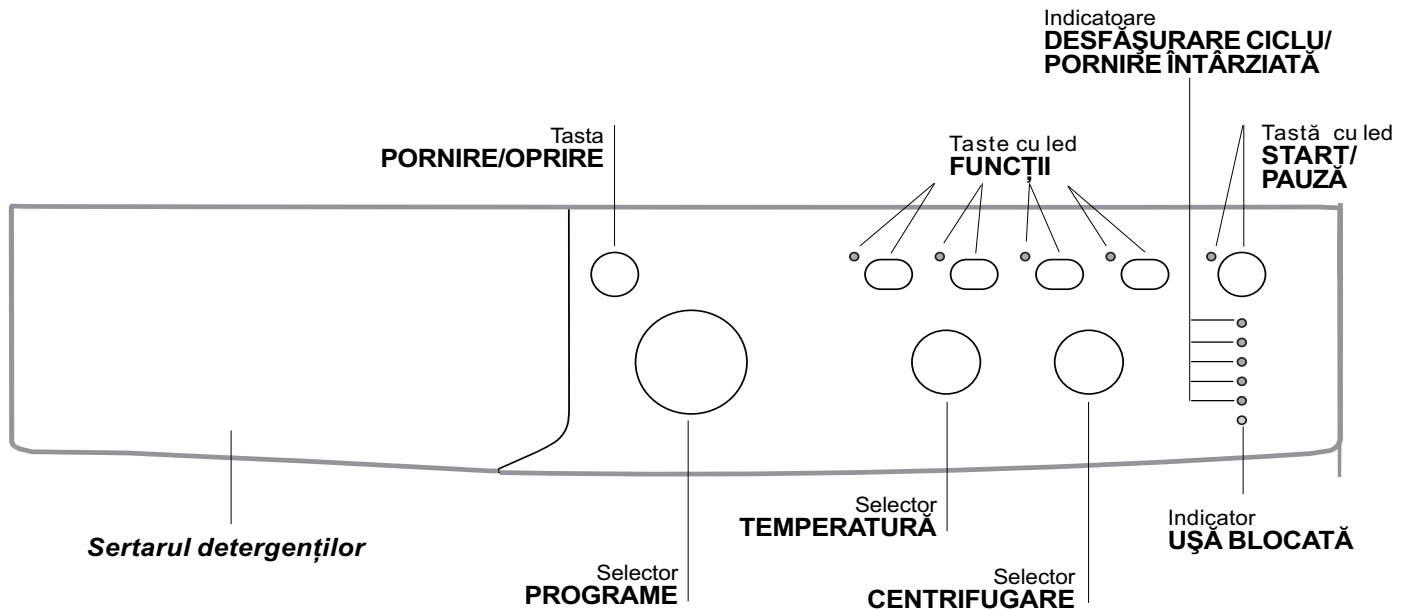
Date tehnice

Model	IWC 6083
Dimensiuni	lărgime: 59,5 cm înălțime: 85 cm profundzime: 52,5 cm
Capacitate	de la 1 la 6 kg
Legături electrice	vezi eticheta cu caracteristicile tehnice, aplicată pe mașină
Legături hidrice	presiune maximă: 1 MPa (10 bari) presiune minimă: 0,05 MPa (0,5 bari) capacitatea cuvei: 46 litri
Turația de centrifugare	până la 800 de rotații pe minut
Programe de control în baza normei EN 60456	programul 2; temperatura 60°C; efectuată cu 6 kg de rufe.
	Acest aparat este conform cu următoarele Directive Comunitare: - 89/336/CEE din data de 03/05/89 (Compatibilitate Electromagnetică) și modificări succesive - 2002/96/CE - 2006/95/CE (Tensiuni Joase)
Zgomot (dB(A) re 1 pW)	Spălare: 66 Turație de centrifugare: 73

Descrierea mașinii de spălat și activarea unui program

Panoul de control

RO



Sertarul detergenților: pentru a introduce detergenți sau aditivi (a se vedea “Detergenți și rufe albe”).

Tasta PORNIRE/OPRIRE: pentru a porni și opri mașina.

Selector PROGRAME: pentru a selecta programele. Pe durata desfășurării programului selectorul rămâne în aceeași poziție.

Taste cu led FUNCȚII: pentru a selecta funcțiile disponibile. Indicatorul corespunzător funcției alese va rămâne aprins.

Selector CENTRIFUGARE: pentru a activa / anula centrifugarea (a se vedea “Personalizare”).


Selector TEMPERATURĂ: pentru a selecta temperatura sau spălarea la rece (a se vedea “Personalizare”).

Indicatoare DESFĂȘURARE CICLU/PORNIRE ÎNTĂRZIATĂ: pentru a putea urmări avansarea programului de spălare.

Indicatorul aprins arată faza în curs de desfășurare. Dacă a fost selectată funcția “Pornire întârziată”, va fi indicat timpul care lipsește până la pornirea programului (a se vedea pag. alăturată).

Indicador UȘĂ BLOCATĂ: pentru a înțelege dacă ușa se poate deschide sau nu (a se vedea pag. alăturată).

Tastă cu led START/PAUZĂ: pentru a activa / opri momentan programele.

N.B.: pentru a întrerupe momentan un ciclu apăsați această tastă; ledul se va aprinde intermitent (culoare portocalie) în timp ce ledul corespunzător fazei în curs de desfășurare va rămâne aprins. Dacă indicatorul UȘĂ BLOCATĂ  este stins, atunci ușa se poate deschide.

Pentru a continua spălarea, de unde a fost întreruptă, apăsați din nou tasta.

Indicatoare luminoase

Ledurile furnizează informații importante. Iată ce indică:

Pornire întârziată

Dacă a fost activată funcția "Pornire întârziată" (a se vedea "Personalizare"), după activarea programului, se va aprinde intermitent ledul corespunzător întârzierii selectate:

3h 

6h 

9h 

12h 

Cu trecerea timpului, se va vizualiza întârzierea restantă, prin aprinderea intermitentă a ledului respectiv.

3h 

6h 

9h 

12h 

După trecerea intervalului de întârziere programat, va începe programul.

Indicatoare de fază


După alegerea și activarea ciclului dorit, indicatoarele luminoase se vor aprinde unul după altul, ceea ce vă indică starea de avansare a programului:

Spălare 

Clătire 

Centrifugă 

Golire 

Sfârșit Spălare 

Tastele de funcții și ledurile corespunzătoare

Alegerea unei funcții implică aprinderea ledului corespunzător.

Dacă funcția selectată nu este compatibilă cu programul ales, ledul corespunzător se va aprinde intermitent iar funcția nu se va activa.

Dacă funcția aleasă nu este compatibilă cu o funcție selectată anterior, indicatorul care corespunde primei funcții va emite un semnal intermitent iar indicatorul celei de a doua se va aprinde: acest lucru înseamnă că se va activa numai a doua funcție (ultima aleasă).


Indicator ușă blocată:

Aprinderea ledului indică faptul că hubloul s-a blocat, pentru a împiedica deschiderea sa; pentru a putea deschide hubloul, așteptați aproximativ 3 minute, până la stingerea ledului. Pentru a deschide hubloul în timpul executării unui ciclu, apăsați tasta PORNIRE/PAUZĂ; dacă ledul UȘĂ BLOCATĂ este stins, atunci puteți deschide hubloul.

N.B.: dacă funcția "Pornire întârziată" este activă, ușa nu se poate deschide; pentru a o deschide, apăsați tasta START/PAUZĂ pentru a întrerupe momentan programarea.

! Semnalul intermitent rapid al indicatorului corespunzător "fazelor de spălare" și cel corespunzător avertizării de UȘĂ BLOCATĂ semnaleză o deficiență de funcționare (a se vedea "Anomalii și remedii").

Activarea unui program

1. Porniți mașina de spălat apăsând pe tasta PORNIRE/OPRIRE. Toate indicatoarele se aprind câteva secunde, apoi se sting; indicatorul START/PAUZĂ se va aprinde intermitent.
2. Introduceți rufele și închideți ușa.
3. Selectați programul dorit cu ajutorul selectorului de PROGRAME.
4. Reglați temperatura de spălare (a se vedea "Personalizare").
5. Reglați viteza de centrifugare (a se vedea "Personalizare").
6. Adăugați detergentul și aditivii (a se vedea "Detergenți și rufe").
7. Alegeți funcțiile dorite.
8. Activați programul apăsând tasta START/PAUZĂ; indicatorul luminos se va aprinde (culoare verde). Pentru a anula un ciclu selectat, apăsați tasta START/PAUZĂ pentru a întrerupe momentan ciclul și alegeți un nou program.
9. La încheierea programului, indicatorul luminos END se va aprinde. După stingerea ledului corespunzător avertizării de UȘĂ BLOCATĂ , este posibilă deschiderea hubloului. Scoateți rufele și lăsați ușa întredeschisă pentru a se putea usca cuva și tamburul. Opriti mașina de spălat apăsând pe tasta PORNIRE/OPRIRE.

Programe

RO

Tabel de programe

Programa	Descrierea Programului	Temp. max. (°C)	Viteza max. (rotații pe minut)	Detergenți				Sarcina Max. (Kg)		Durata ciclului de spălare	
				Pres-pălare	Spălare	Decolorant	Balsam rufe	Normală	Eco Time	Nor-mală	Eco Time
Programe zilnice											
1	PRESPALARE BUMBAC: Rufe albe foarte murdare.	90°	800	●	●	-	●	6	-	164	-
2	RUFE ALBE BUMBAC: Rufe albe foarte murdare.	90°	800	-	●	●	●	6	-	145	-
2	RUFE ALBE BUMBAC (1): Albe și colorate rezistente foarte murdare.	60°	800	-	●	●	●	6	-	137	-
2	RUFE ALBE BUMBAC (2): Albe și colorate delicate foarte murdare.	40°	800	-	●	●	●	6	-	123	-
3	RUFE ALBE BUMBAC: Albe și colorate rezistente foarte murdare.	60°	800	-	●	●	●	6	3,25	119	104
4	COLORATE BUMBAC (3): Albe puțin murdare și colorate delicate.	40°	800	-	●	●	●	6	3,25	89	71
5	SINTETICE: Colorate rezistente foarte murdare.	60°	800	-	●	●	●	2,5	2	85	72
Programe Speciale											
6	LÂNĂ: Pentru articole din lână, cașmir.	40°	600	-	●	-	●	1,5	-	55	-
7	MĂTASE /PERDELE: Pentru articolele din mătase, viscoză, lenjerie.	30°	0	-	●	-	●	1	-	55	-
8	JEANS	40°	800	-	●	-	●	3	-	70	-
9	EXPRESS: Pentru a împropăta rapid articolele puțin murdare (nu este indicat pentru lână, mătase și articole de spălat cu mâna).	30°	800	-	●	-	●	1,5	-	15	-
10	OUTWEAR	30°	400	-	●	-	-	2	-	46	-
Sport											
11	Sport Intensive	30°	600	-	●	-	●	3	-	78	-
12	Sport Light	30°	600	-	●	-	●	3	-	68	-
13	Sport Shoes	30°	600	-	●	-	●	(Max 2 perechi.)	-	50	-
Programe parțiale											
	CLĂTIRE	-	800	-	-	●	●	6	-	36	-
	CENTRIFUGARE	-	800	-	-	-	-	6	-	16	-
	EVACUARE	-	0	-	-	-	-	6	-	2	-

Datele specificate în tabel au valoare indicativă.

Pentru toate Instituțiile de Testare:

- 1) Programul de control conform normei EN60456: selectați programul 2 și temperatura de 60°C.
- 2) Program pentru bumbac, prelungit: selectați programul 2 și temperatura de 40°C.
- 3) Program pentru bumbac, rapid: selectați programul 4 și temperatura de 40°C.

Programe speciale

Express (programul 9) a fost studiat pentru a spăla articolele foarte puțin murdare, în mod rapid: durează doar 15 de minute ceea ce economisește energie și timp. Selectând programul (9 la 30°C) este posibilă spălarea articolelor din materiale diferite (excluse lână și mătasea) cu o greutate maximă de 1,5 kg.

Outwear (programul 10) a fost studiat pentru spălarea țesăturilor hidrofobe și a gecilor rezistente la vânt (ex. goretex, poliester, nailon); pentru a obține cele mai bune rezultate, utilizați detergent lichid într-o cantitate adecvată unei încărcări pe jumătate a mașinii; desfaceți manșetele, gulerele și scoateți petele; nu utilizați balsam de rufe sau detergent cu balsam. *Acest program nu poate fi utilizat pentru spălarea pufoaicelor căptușite.*

Sport Intensive (programul 11) a fost studiat pentru spălarea țesăturilor utilizate la confecționarea hainelor sportive (echipamente, pantaloni scurți etc.) foarte murdare; pentru cele mai bune rezultate, se recomandă să nu depășiți cantitatea maximă admisă indicată în „Tabel de programe”.

Sport Light (programul 12) a fost studiat pentru spălarea țesăturilor utilizate la confecționarea hainelor sportive (echipamente, pantaloni scurți etc.) puțin murdare; pentru cele mai bune rezultate, se recomandă să nu depășiți cantitatea maximă admisă indicată în „Tabel de programe”. Se recomandă utilizarea detergentului lichid într-o cantitate adecvată unei încărcări pe jumătate a mașinii.

Sport Shoes (programul 13) a fost studiat pentru spălarea pantofilor de sport; pentru cele mai bune rezultate, nu spălați mai mult de 2 perechi deodată.

Antișifonare

Această funcție întrerupe programul de spălare menținând rufele la înmuiat în apă înainte de golirea mașinii. Poate fi activată numai cu programul 7 (Mătase/Perdele) și servește la evitarea formării pliurilor. Pentru a termina ciclul, apăsați tasta START/PAUZĂ.

Reglarea temperaturii

Rotind selectorul de TEMPERATURĂ se fixează temperatura de spălare (a se vedea Tabelul programelor).

Temperatura poate fi redusă până la spălarea la rece (❄).

Mașina va împiedica în mod automat de a alege o temperatură mai mare decât maxima admisă pentru fiecare program.

Reglarea centrifugării

Rotind selectorul de CENTRIFUGARE se stabilește viteza de stoarcere pentru programul selectat.

Vitezele maxime, prevăzute pentru programe sunt:

Programe Viteză maximă

Bumbac	800 rotații pe minut
Sintetice	800 rotații pe minut
Lână	600 rotații pe minut
Mătase	excludere stoarcere

Viteza de centrifugaare poate fi redusă sau centrifugarea poate fi exclusă selectând simbolul (⊘).

Mașina va împiedica în mod automat alegerea unei viteze mai mari decât maxima admisă pentru fiecare program.

Funcții

Diferitele funcții de spălare prevăzute pentru mașina de spălat, permit obținerea unor rufe curate și albe, după dorință.



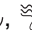
Pentru a activa funcțiile:

1. apăsați tasta corespunzătoare funcției dorite;
2. aprinderea ledului respectiv indică activarea funcției.

Notă: Semnalul luminos intermitent, rapid, indică faptul că funcția respectivă nu este compatibilă cu programul ales.

EcoTime

Prin selectarea acestei opțiuni, mișcarea mecanică, temperatura și apa sunt optimizate pentru o cantitate scăzută de țesături de bumbac și sintetice puțin murdare „Tabel de programe”. Cu “EcoTime” puteți spăla în timp mai scurt, economisind apă și energie. Se recomandă utilizarea unei cantități de detergent lichid adecvată cantității de rufe.

! Nu poate fi activată pe programele 1, 2, 6, 7, 8, 9, 10, 11, 12, 13, , , .

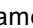

Antipată

Ciclu de decolorare adecvat pentru eliminarea petelor mai rezistente. A se vărsa decolorant în sertarul adițional 4 (a se vedea “Ciclu de albire”).

! Nu se poate activa pe programele 1, 6, 7, 8, 9, 10, 11, 12, 13, , .

Clătire suplimentară

Selectând această opțiune, clătirea va fi mai eficientă, ceea ce asigură eliminarea totală a detergentului din rufe. Este recomandată cu precădere persoanelor cu pielea sensibilă.

! Nu poate fi activată pe programele 9, , .

Pornirea întârziată

Întârzie pornirea mașinii cu până la 12 de ore.

Apăsați de mai multe ori până la aprinderea butonului cu întârzierea dorită. La a cincea apăsare a tastei, funcția se va dezactiva.

N.B.: După apăsarea butonului START/PAUZĂ, se va putea modifica întârzierea doar diminuând-o, până la pornirea programului dorit.

! Se poate activa pe toate programele.

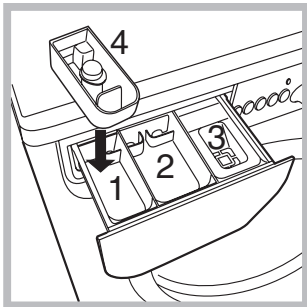
Detergenți și rufe albe

RO

Compartimentul pentru detergenți

Un rezultat bun la spălare depinde și de dozarea corectă a detergentului: excesul de detergent nu garantează o spălare mai eficientă, ci contribuie la deteriorarea părților interne ale mașinii de spălat și la poluarea mediului înconjurător.

! Nu introduceți în mașină detergenții pentru spălarea manuală deoarece formează prea multă spumă.



Deschideți compartimentul pentru detergenți și introduceți detergentul sau aditivul după cum urmează:

compartiment 1: Detergent pentru prespălare (sub formă de praf)

Înainte de a adăuga detergentul verificați ca sertarul adițional 4 să nu fie introdus.

compartiment 2: Detergent pentru spălare (sub formă de praf sau lichid)

Detergentul lichid trebuie vărsat doar înainte de pornire.

compartiment 3: Aditivi

(soluție de înmuiat, balsam rufe etc.)

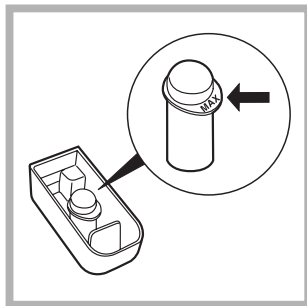
Soluția de înmuiat nu trebuie să iasă deasupra grătarului.

compartiment adițional 4: Decolorant (Inălbitor)

Ciclu de albire

! Decolorantul tradițional se folosește pentru țesături rezistente albe, cel delicat pentru țesături colorate, sintetice și pentru lână.

Introduceți sertarul adițional 4, aflat în dotare, în sertarul 1.



Când dozați decolorantul nu depășiți nivelul „max” indicat pe pivotul central (vezi figura).

Pentru efectuarea doar a decolorării, vărsați decolorantul în sertarul

adițional 4, selectați programul „Clătire” și activați opțiunea „Antipată”.

Pentru albirea în timpul spălării, vărsați detergentul și aditivii, selectați programul dorit și activați opțiunea „Antipată”.

Folosirea sertarului adițional 4 exclude prespălarea.

Pregătirea rufelor

- Sortați rufe în funcție de:
 - tipul de material / simbolul de pe etichetă.
 - culori: separați rufe colorate de cele albe.
- Goliți buzunarele și controlați nasturii.
- Nu depășiți valorile indicate, referitoare la greutatea rufelor uscate:
 - Țesături rezistente: max 6 kg
 - Materiale sintetice: max 2,5 kg
 - Țesături delicate: max 2 kg
 - Lână: max 1,5 kg
 - Mătase: max 1 kg

Cât cântăresc rufe?

- 1 cearceaf 400-500 g.
- 1 față de pernă 150-200 g.
- 1 față de masă 400-500 g.
- 1 halat de baie 900-1.200 g.
- 1 prosop 150-250 g.

Articole delicate

Lână: Cu programul 6 se pot spăla cu mașina toate hainele de lână, inclusiv cele cu eticheta „a se spăla numai manual”. Pentru a obține cele mai bune rezultate, folosiți un detergent specific și nu depășiți 1,5 kg de rufe.

Mătase: utilizați programul special 7 pentru spălarea articolelor din mătase. Se recomandă folosirea unui detergent special pentru articole delicate.

Perdele: Împăturiți-le și așezați-le într-o față de pernă sau într-un sac de tip plasă. Utilizați programul 7.

Jeans: Întoarceți pe dos rufe înainte de spălare și utilizați un detergent lichid. Utilizați programul 8.

Sistemul de echilibrare a încărcăturii

Pentru a evita trepidațiile excesive, înainte de stoarcere, cuva mașinii va distribui cantitatea de rufe în mod uniform, centrifuga efectuând câteva rotații la o viteză mai mare decât viteza de spălare. Dacă, după numeroase încercări, mașina nu reușește să echilibreze greutatea, stoarcerea rufelor se va face la o viteză mai mică decât cea prevăzută în program. Dacă instabilitatea este prea mare, mașina va distribui greutatea în locul centrifugei. Pentru a favoriza o mai bună repartizare a rufelor și echilibrarea corectă a mașinii, se recomandă să introduceți în mașină atât articole mari cât și mici.

! Mașina de spălat a fost proiectată și construită conform normelor internaționale de protecție. Aceste avertizări sunt furnizate din motive de siguranță și trebuie să fie citite cu atenție.

Norme de protecție și siguranță generale

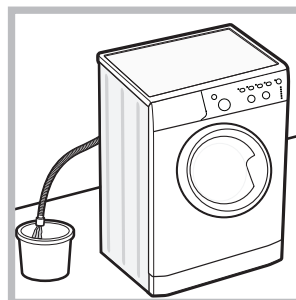
- Acest aparat a fost conceput exclusiv pentru utilizarea în locuințe unifamiliale.
- Mașina de spălat trebuie să fie folosită doar de persoane adulte care respectă instrucțiunile din acest manual.
- Nu atingeți mașina când sunteți desculți sau cu mâinile sau picioarele ude sau umede.
- Nu scoateți stecherul din priză trăgând de cablu.
- Nu deschideți compartimentul pentru detergent în timp ce mașina se află în funcțiune.
- Nu atingeți apa golită din mașină: poate avea o temperatură ridicată.
- Nu forțați în nici un caz ușa: s-ar putea deteriora mecanismul de siguranță care evită deschiderea accidentală.
- În caz de defecțiune, nu umblați în nici un caz la mecanismele din interior și nu încercați să o reparați singuri.
- Controlați mereu ca în apropierea mașinii aflate în funcțiune, să nu se afle copii.
- Pe durata spălării ușa se poate încălzi.
- Dacă trebuie să deplasați mașina, cereți ajutor unei alte (sau 2) persoane și fiți foarte atenți. Niciodată nu deplasați mașina singuri deoarece aceasta este foarte grea.
- Înainte de a introduce rufe, controlați cuva să fie goală.

Aruncarea reziduurilor

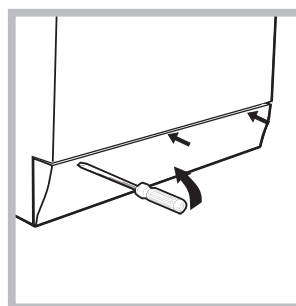
- Eliminarea ambalajelor: respectați normele locale, în acest fel ambalajele vor putea fi utilizate din nou.
- Directiva Europeană 2002/96/CE cu privire la deșeurile care provin de la aparatura electrică sau electronică prevede ca aparatele electrocasnice să nu fie colectate împreună cu deșeurile urbane solide, obișnuite. Aparatele scoase din uz trebuie să fie colectate separat atât pentru a optimiza rata de recuperare și de reciclare a materialelor componente cât și pentru a evita pericolele care pot duce la dăunarea sănătății omului sau poluarea mediului înconjurător. Simbolul toberonului tăiat care apare pe toate produsele vă amintește tocmai obligația de a le colecta separat. Pentru informații suplimentare cu privire la scoaterea din uz a electrocasnicilor, deținătorii acestora pot apela la centrele de colectare a deșeurilor sau la vânzătorii de la care au achiziționat produsele respective.

Deschiderea manuală a ușii

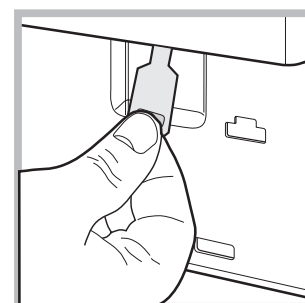
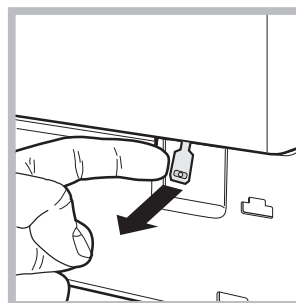
Dacă nu este posibil să deschideți ușa din cauza întreruperii curentului electric și doriți totuși să întindeți rufe, procedați după cum urmează:



1. scoateți stecherul din priză.
2. verificați ca nivelul de apă din mașină să fie sub marginea ușii; în caz contrar, scoateți apa în exces cu ajutorul furtunului de golire, punând-o într-un vas, după indicațiile din figura.



3. scoateți panoul de acoperire din partea din față a mașinii de spălat folosind o șurubelniță (a se vedea figura).



4. utilizând dispozitivul indicat în figură, trageți spre dumneavoastră până când eliberați tirantul de plastic din opritor; trageți apoi în jos și, în același timp, deschideți ușa.

5. montați din nou panoul verificând, înainte de a-l împinge spre mașină, de a fi introdus cărligele în orificiile respective.

Întreținere și curățare

RO

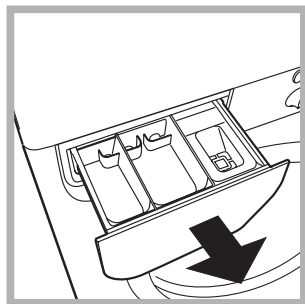
Înteruperea alimentării cu apă și curent electric

- Închideți robinetul de apă după fiecare spălare. Se limitează astfel uzura instalației hidraulice a mașinii de spălat și se elimină pericolul scurgerilor.
- Scoateți stecherul din priză de curent atunci când curățați mașina de spălat și când se efectuează lucrări de întreținere.

Curățarea mașinii de spălat

Partea externă și părțile din cauciuc pot fi curățate cu o lavetă înmuiată în apă caldă și săpun. Nu folosiți solvenți sau substanțe abrazive.

Curățarea compartimentului pentru detergent



Trageți afara compartimentul ridicându-l și tragându-l spre exterior (a se vedea figura). Spălați-l sub un jet de apă; această operație trebuie efectuată cât mai des posibil.

Îngrijirea ușii și a tamburului

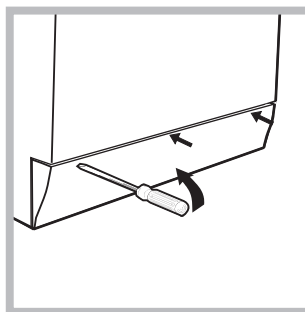
- Lăsați mereu ușa întredeschisă pentru a evita formarea de mirosuri neplăcute.

Curățarea pompei

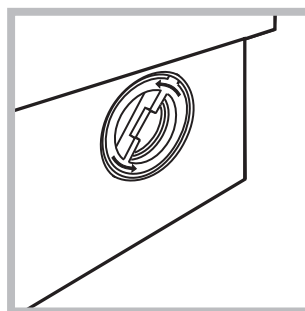
Mașina de spălat este dotată cu o pompă de autocurățare care nu are nevoie de întreținere. Se poate întâmpla însă ca unele obiecte mici (monede, nasturi) să cadă în anticamera care protejează pompa, situată în partea inferioară a acesteia.

! Verificați ca ciclul de spălare să fie încheiat și scoateți stecherul din priză.

Pentru a avea acces la anticameră:



1. scoateți panoul de acoperire din partea din față a mașinii de spălat folosind o șurubelniță (a se vedea figura);



2. deșurubați capacul rotindu-l în sens invers acelor de ceasornic (a se vedea figura). Este normal să iasă puțină apă;

3. curățați cu grijă interiorul;
4. înșurubați la loc capacul;
5. montați din nou panoul verificând, înainte de a-l împinge spre mașină, de a fi introdus cârligele în orificiile respective.

Controlarea furtunului de alimentare cu apă

Controlați tubul de alimentare cel puțin o dată pe an. Dacă prezintă crăpături sau fisuri trebuie înlocuit: pe parcursul spălărilor, presiunea puternică ar putea provoca crăpături neașteptate.

! Nu folosiți niciodată tuburi folosite deja.

Se poate întâmpla ca mașina de spălat să nu funcționeze. Înainte de a apela serviciul de Service (a se vedea "Asistență"), verificați dacă nu este vorba de o problemă ușor de rezolvat:

Anomalii:

Cauze posibile / Rezolvare:

Mașina de spălat nu pornește.

- Stecherul nu este introdus în priză de curent, sau nu face contact.
- Aveți o pană de curent la domiciliu.

Ciclul de spălare nu pornește.

- Ușa nu este bine închisă.
- Tasta PORNIRE/OPRIRE nu a fost apăsată.
- Tasta START/PAUZĂ nu a fost apăsată.
- Robinetul de apă nu este deschis.
- A fost fixată o întârziere de pornire (a se vedea "Personalizare").

Mașina de spălat nu se alimentează cu apă (ledul primei faze de spălare se aprinde intermitent și rapid).

- Furtunul de alimentare cu apă nu este racordat la robinet.
- Furtunul este îndoit.
- Robinetul de apă nu este deschis.
- Apa la domiciliul dumneavoastră.
- Apa nu are presiune suficientă.
- Tasta START/PAUZĂ nu a fost apăsată.

Mașina de spălat încarcă și descarcă apă continuu.

- Furtunul de golire nu a fost instalat la o înălțime cuprinsă între 65 și 100 cm de pământ (a se vedea "Instalare").
- Capătul furtunului de evacuare este cufundat în apă (a se vedea "Instalare").
- Evacuarea din perete nu are răsuflare pentru aer.

Dacă după aceste verificări problema nu se rezolvă, închideți robinetul de apă, opriți mașina de spălat și chemați Service-ul. Dacă locuința se află la ultimele etaje ale unui edificiu, este posibil să aibă loc fenomene de sifonare, motiv pentru care mașina de spălat încarcă și descarcă apă încontinuu. Pentru a elimina acest inconvenient, se găsesc în comerț supape anti-sifonare.

Mașina de spălat nu se golește sau nu stoarce.

- Programul nu prevede golirea apei: în cazul anumitor programe, este necesară activarea manuală.
- Funcția "Antișifonare" este activă: pentru a încheia programul, apăsați tasta START/PAUZĂ (a se vedea "Personalizare").
- Furtunul de golire este îndoit (a se vedea "Instalare").
- Conducta de descărcare este înfundată.

Mașina de spălat vibrează foarte mult în timpul stoarcerii.

- Cuva, în momentul instalării, nu a fost deblocată în mod corespunzător (a se vedea "Instalare").
- Mașina de spălat este în pantă (a se vedea "Instalare").
- Mașina de spălat este prea aproape de pereți și mobilier (a se vedea "Instalare").

Mașina de spălat pierde apă.

- Furtunul de alimentare cu apă nu este bine înșurubat (a se vedea "Instalare").
- Compartimentul de detergenți este înfundat (pentru a-l curăța a se vedea "Întreținere și curățare").
- Furtunul de golire nu este bine fixat (a se vedea "Instalare").

Ledurile corespunzătoare „fazelor de spălare” și cel corespunzător UȘĂ BLOCATA se vor aprinde intermitent.

- Opriți mașina și scoateți stecherul din priză; așteptați aproximativ 1 minut înainte de a o reaprinde. Dacă nu obțineți nici un rezultat, apăsați Centrul de service pentru asistență.

Se formează prea multă spumă.

- Detergentul nu este compatibil cu mașina de spălat (trebuie să fie scris „pentru mașina de spălat”, „de mână sau în mașina de spălat”, sau ceva asemănător).
- Dozajul a fost excesiv.

Asistență

RO

Înainte de a lua legătura cu Service-ul:

- Verificați dacă puteți rezolva singuri problema (*a se vedea "Anomalii și remedii"*);
- Porniți din nou programul pentru a controla dacă inconvenientul a fost eliminat;
- În caz negativ, luați legătura cu asistența tehnică autorizată la numărul telefonic indicat pe certificatul de garanție.

! Nu apelați niciodată la persoane neautorizate.

Comunicați:

- tipul de anomalie;
- modelul mașinii (Mod.);
- numărul de serie (S/N).

Aceste informații sunt specificate pe plăcuța cu date tehnice, lipită în partea din spate a mașinii de spălat precum și în partea anterioară, după ce deschideți ușa.

BG

Български

IWC 6083

Съдържание

Монтиране, 74-75

Разопаковане и нивелиране
Хидравлични и електрически връзки
Първо пране
Технически данни

Описание на пералната машина и пускането на дадена програма, 76-77

Табло за управление
Светлинни индикатори
Включване на програма

Програми, 78

Таблица с програмите

Персонализираня, 79

Задаване на температурата
Задаване на центрофугата
Функции

Перилни препарати и дрехи за пране, 80

Чекмедже за перилните препарати
Цикъл на избелване
Подготвяне на прането
Специфично пране
Система за измерване на товара

Мерки за безопасност и препоръки, 81

Общи предохранителни мерки
Рециклиране
Ръчно отваряне на люка

Поддръжка и почистване, 82

Спиране на водата и изключване на електрозахранването
Почистване на пералната машина
Почистване на чекмеджето за перилните препарати
Поддръжка на люка и на барабана
Почистване на помпата
Проверка на маркуча за студената вода

Проблеми и мерки за отстраняването им, 83

Сервизно обслужване, 84

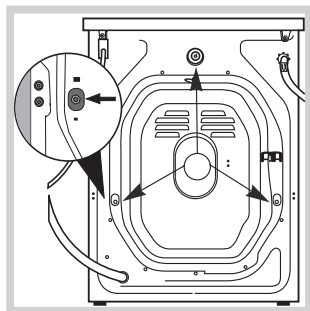
! Важно е да съхранявате инструкциите, за да можете да правите допълнителни справки по всяко време. В случай че пералната машина се продаде, преотстъпи или премести, трябва да се погрижите инструкциите винаги да я придружават, за да се предостави информация на новия собственик за работата и съответните предупреждения.

! Прочетете внимателно инструкциите: защото съдържат важна информация за монтажа, използването и безопасността.

Разопаковане и нивелиране

Разопаковане

1. Разопакувайте пералната машина.
2. Проверете дали пералната машина не е повредена при транспортирането. Ако е повредена, не я свързвайте, а се обърнете към продавача.



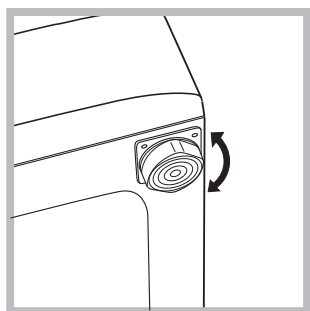
3. Свалете 3-те винта за предпазване при транспорт и гумичката със съответната втулка, поставени от задната страна (виж показаното на фигурата).

4. Затворете отворите с предоставените пластмасови капачки.
5. Съхранете всички части: за да се монтират отново при необходимост пералната машина да бъде транспортирана.

! Опаковъчният материал не е детска играчка.

Нивелиране

1. Монтирайте пералната машина на равен и твърд под, без да я опирате в стени, мебели и др.

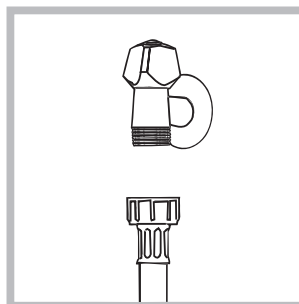


2. Ако подът не е идеално хоризонтален, компенсирате неравностите, като отвиете или завиете предните крачета (виж фигурата); ъгълът на наклона, измерен върху работната повърхност, не трябва да надвишава 2°.

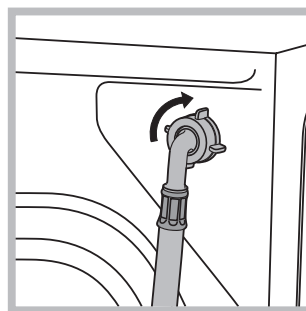
Точното нивелиране позволява машината да бъде стабилна и да се избягват вибрациите, шумът и преместването ѝ по време на работа. Когато настилка е мокет или килим, регулирайте така крачетата, че под пералната машина да остане достатъчно място за вентилация.

Хидравлични и електрически връзки

Свързване на маркуча към водопроводната мрежа



1. Свържете захранващия маркуч, като го завиете към крана за студената вода с накрайник с газова резба 3/4 (виж фигурата). Преди да го свържете, източете водата, докато се избистри.



2. Свържете маркуча за студената вода към пералната машина, като го завиете към специалния щуцер, разположен от задната страна, горе вдясно (виж фигурата).

3. Внимавайте маркуча да не се прегъва и притиска.

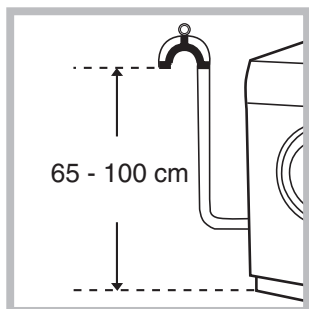
! Налягането по водопроводната мрежа трябва да бъде в границите, указани в таблицата „Технически данни“ (вж. следващата страница).

! Ако дължината на захранващия маркуч не е достатъчна, се обърнете към специализиран магазин или към оторизиран техник.

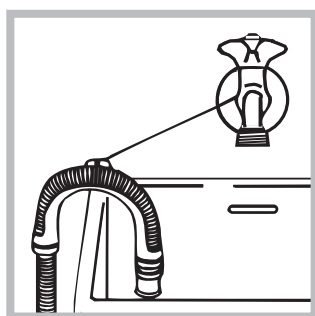
! Никога не използвайте вече употребяван маркуч.

! Използвайте тези, което са доставени с пералната машина.

Свързване на маркуча за мръсната вода



Свържете маркуча за мръсната вода, без да го прегъвате, към канализационната тръба или към тръбата за отвеждане в стената, разположени на височина между 65 и 100 см от пода, или го подпрете на ръба на мивката или ваната,



свързвайки доставения водач към крана (вж. *фигурата*). Свободният край на маркуча за мръсната вода не трябва да бъде потопен във водата.

! Не се препоръчва използването на удължителни маркучи. Ако е необходимо, удължителят трябва да има същия диаметър като оригиналния и да не надвишава 150 см.

Свързване към електрическата мрежа

Преди да свържете щепсела в контакта, проверете дали:

- контактът е заземен съгласно действащите стандарти;
- контактът може да поеме максималната мощност на натоварване на машината, указана в таблицата с техническите данни (вж *следващата страница*);
- захранващото напрежение е в границите на указаното в таблицата с техническите данни (вж *следващата страница*);
- контактът отговаря на щепсела на пералната машина. В противен случай заменете щепсела или контакта.

! Пералната машина не се монтира на открито, дори под навес, защото е много опасно да се остави на влиянието на атмосферните условия.

! За монтираната перална машина електрическият контакт трябва да бъде лесно достъпен.

! Не използвайте удължители или разклонители.

! Кабелът не трябва да бъде огънат или сплескан.

! Захранващият кабел трябва да се подменя само от оторизирани техници.

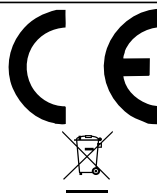
Внимание! Фирмата отхвърля всякаква отговорност в случаите, в които тези норми не се спазват.

Първо пране

След инсталиране и преди употреба включете един цикъл на изпиране с перилен препарат, но без дрехи, задавайки програма 3.

Технически данни

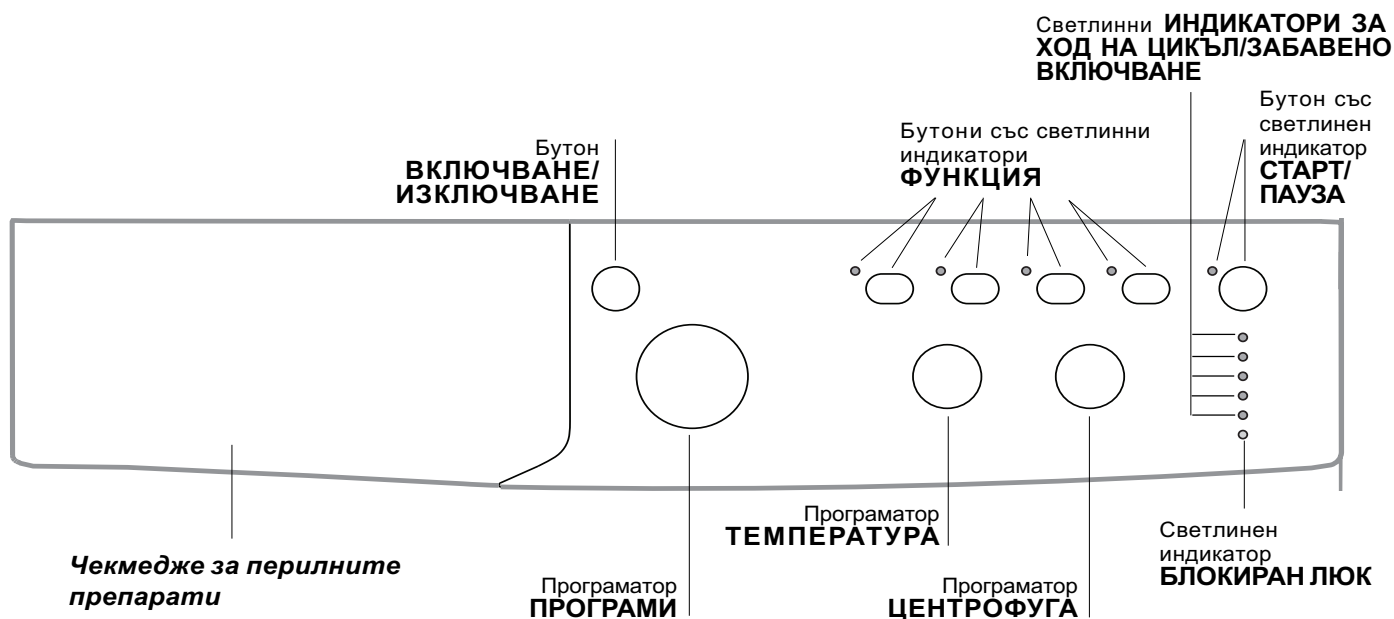
Модел	IWC 6083
Размери	ширина 59,5 см височина 85 см дълбочина 52,5 см
Вместимост	от 1 до 6 кг.
Електрическо захранване	Виж табелката с характеристиките, поставена на машината
Захранване с вода	максимално налягане 1 MPa (10 bar) минимално налягане 0,05 MPa (0,5 bar) обем на казана 46 литра
Скорост на центрофугата	до 800 оборота/минута
Програми за проверка съгласно норма EN 60456	програма 2; температура 60°; извършена с 6 кг пране.



Пералната машина съответства на следните Европейски директиви:
- 89/336/CEE от 03/05/89 (за електромагнитна съвместимост) и последващите изменения
- 2002/96/CE
- 2006/95/CE (за ниско напрежение)

Описание на пералната машина и пускането на дадена програма

Табло за управление



Чекмедже за перилните препарати: за дозиране на перилните препарати и добавките (вж. "Перилни препарати и дрехи за пране").

Бутон **ВКЛЮЧВАНЕ/ИЗКЛЮЧВАНЕ**: за включване и изключване на пералнята.

Програматор **ПРОГРАМИ**: за задаване на програмите. По време на изпълнение на програмата ключът остава неподвижен.

Бутони със светлинни индикатори **ФУНКЦИЯ**: за селектиране на възможните функции. Светлинният индикатор за избраната функция ще продължи да свети.

Програматор **ЦЕНТРОФУГА**: за задаване на центрофуга или за изключването ѝ (вж. "Персонализираня").

Програматор **ТЕМПЕРАТУРА**: за задаване на температура или пране със студена вода (вж. "Персонализираня").

Светлинни **ИНДИКАТОРИ ЗА ХОД НА ЦИКЪЛ/ЗАБАВЕНО ВКЛЮЧВАНЕ**: за да следвате хода на изпълнение на програмата за пране.

Включеният светлинен индикатор показва, че се извършва определена фаза от цикъла. Ако е зададена функцията "Забавено включване", ще се посочва времето, оставащо до стартирането на програмата (вж. *съседната страница*).

Светлинен индикатор **БЛОКИРАН ЛЮК**: за да се разбере дали люкът може да се отвори (вж. *съседната страница*).

Бутон със светлинен индикатор **СТАРТ/ПАУЗА**: за стартиране на програмите или временното им прекъсване.

Забележка: за задаване на пауза в прането натиснете отново бутона - индикаторът ще мига с оранжева светлина, докато светлинният индикатор, указващ изпълнение на фаза, ще свети непрекъснато. Ако светлинният индикатор **БЛОКИРАН ЛЮК** е угаснал, ще може да се отвори вратата на люка.

За продължаване на цикъла пране от мястото, в което е бил прекъснат, натиснете отново този бутон.

Светлинни индикатори

Следящите светлинни индикатори дават важна информация.

Ето какво казват:

Отложен старт

Ако е активирана функцията “Забавено включване” (вж. “Персонализираня”), след пускане на програмата ще светне индикаторът за избраното забавяне:



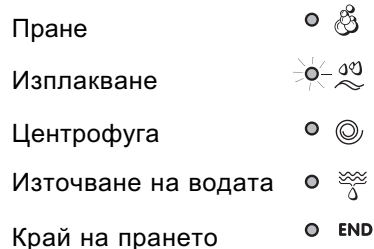
В течение на времето ще се визуализира оставащото забавяне чрез мигане на съответния светлинен индикатор:



След като изтече зададеното време за отлагане на старта, избраната програма ще се включи.

Светлинни индикатори за текущите фази

След като е избран и стартиран желаният цикъл на пране, светлинните индикатори ще светват един след друг, за да указват хода на цикъла:



Бутони за функция и съответни светлинни индикатори

При избор на функция съответният светлинен индикатор ще светне. Ако избраната функция не е съвместима със зададената програма, съответният светлинен индикатор ще мига и функцията няма да се активира. Ако избраната функция не е съвместима с друга предварително зададена, светлинният индикатор, съответстващ на първата избрана функция, мига и се активира само втората, като индикаторът на активирания функция светва.


Светлинен индикатор блокиран люк

Светещият светоиндикатор показва, че люкът е блокиран, за да се възпрепятства отварянето му; за да отворите люка изчакайте светоиндикатора да угасне; (изчакайте около 3 минути). За отваряне на люка по време на пране се натиска бутон СТАРТ/ПАУЗА; може да отворите люка, ако светоиндикаторът БЛОКИРАН ЛЮК е угаснал.

Забележка: ако е активирана функцията “Забавено включване”, люкът не може да се отвори, за отварянето му е необходимо пералната машина да се постави в пауза чрез натискане на бутон СТАРТ/ПАУЗА.



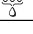
! Бързото примигване на светоиндикаторите на „фазите за пране“ и този за БЛОКИРАН ЛЮК сигнализират аномалия (вж. “Неизправности и отстраняването им”).

Включване на програма

1. Включете пералнята, като натиснете бутона ВКЛЮЧВАНЕ/ИЗКЛЮЧВАНЕ. Всички индикатори ще се включат и ще светят в продължение на няколко секунди, след което ще угаснат и ще свети с пулсираща светлина индикаторът СТАРТ/ПАУЗА.
2. Заредете дрехите за пране и затворете люка.
3. Задайте желаната програма с ключа ПРОГРАМИ.
4. Задайте температурата на пране (вж. “Персонализираня”).
5. Задайте скоростта на центрофугиране (вж. “Персонализираня”).
6. Поставете перилен препарат и добавки вж. “Перилни препарати и дрехи за пране”.
7. Избиране на желаните функции.
8. Включете програмата, като натиснете бутона СТАРТ/ПАУЗА, съответният светлинен индикатор ще свети постоянно в зелен цвят. За да отмените зададения цикъл, поставете машината в пауза, като натиснете бутона СТАРТ/ПАУЗА, и изберете новия цикъл.
9. Когато програмата свърши, ще светне индикаторът END. Когато светоиндикаторът БЛОКИРАН ЛЮК  угасне, може да отворите люка. Извадете прането и оставете люка притворен, за да изсъхне барабанът. Изключете пералнята, като натиснете бутона ВКЛЮЧВАНЕ/ИЗКЛЮЧВАНЕ.

Програми

Таблица с програмите

Програми	Описание на програмата	Макс. температура (°C)	Макс. скорост (обороти в минута)	Перилни препарати				Зареждане макс. (кг)		Продължителност на цикъла	
				Пред-пране	Основно пране	Белина	Омекотител	Нормално	Eco Time	Нормално	Eco Time
Програми за всеки ден											
1	ПАМУК "Предпране" : Бели, изключително замърсени.	90°	800	●	●	-	●	6	-	164	-
2	ПАМУК : Бели, изключително замърсени.	90°	800	-	●	●	●	6	-	145	-
2	ПАМУК (1) : Бели и цветни, устойчиви, силно замърсени.	60°	800	-	●	●	●	6	-	137	-
2	ПАМУК (2) : Бели и цветни, неустойчиви, силно замърсени.	40°	800	-	●	●	●	6	-	123	-
3	ПАМУК : Бели и цветни, устойчиви, силно замърсени.	60°	800	-	●	●	●	6	3,25	119	104
4	ПАМУК-ЦВЕТНИ (3) : Бели, малко замърсени, и цветни, неустойчиви.	40°	800	-	●	●	●	6	3,25	89	71
5	СИНТЕТИЧНИ : Цветни, устойчиви, много замърсени.	60°	800	-	●	●	●	2,5	2	85	72
Специални програми											
6	ВЪЛНЕНИ ТЪКАНИ : За вълна, кашмир и т.н.	40°	600	-	●	-	●	1,5	-	55	-
7	КОПРИНА/ПЕРДЕТА : За дрехи от коприна, вискоза, фино бельо.	30°	0	-	●	-	●	1	-	55	-
8	JEANS	40°	800	-	●	-	●	3	-	70	-
9	EXPRESS : За бързо освежаване на не много замърсени дрехи (не се препоръчва за вълна, коприна и дрехи, които трябва да се перат на ръка).	30°	800	-	●	-	●	1,5	-	15	-
10	OUTWEAR	30°	400	-	●	-	-	2	-	46	-
Sport											
11	Sport Intensive	30°	600	-	●	-	●	3	-	78	-
12	Sport Light	30°	600	-	●	-	●	3	-	68	-
13	Sport Shoes	30°	600	-	●	-	●	(макс.2 чифта.)	-	50	-
Частични програми											
	ИЗПЛАКВАНЕ	-	800	-	-	●	●	6	-	36	-
	ЦЕНТРОФУГА	-	800	-	-	-	-	6	-	16	-
	ИЗПОМПВАНЕ	-	0	-	-	-	-	6	-	2	-

Данните приведени в таблицата са указателни.

За всички Test Institutes:

- 1) Програма за проверка съгласно стандарт EN 60456: задайте програма 2 с температура 60 °C.
- 2) Дълга програма за памук; задайте програма 2 с температура 40 °C.
- 3) Кратка програма за памук; задайте програма 4 с температура 40 °C.

Специални програми

Express (програма 9) е създадена за пране на леко замърсени дрехи за кратко време: трае само 15 минути и по този начин пести енергия и време. Със задаването на програмата (9 на 30 °C) може да перете едновременно тъкани от различен вид (с изключение на вълна и коприна) с максимално тегло до 1,5 кг.

Outwear (програма 10) разработена за пране на водонепромокаеми тъкани и грейки (пр. горетекс, полиестер, найлон); за постигане на по-добри резултати използвайте течни перилни препарати в доза, подходяща за половин зареждане; предварително обработете маншетите, яките и петната; не използвайте омекотители или перилни препарати с омекотители. *С тази програма не могат да се перат якета пълнени с пух.*

Sport Intensive (програма 11) разработена е за пране на тъкани на силно замърсени спортни дрехи (анцузи, панталони, др.); за постигане на по-добри резултати се препоръчва да не се надвишава максималното натоварване, указано в таблицата „Таблица с програмите“.

Sport Light (програма 12) разработена е за пране на тъкани на леко замърсено спортно облекло (анцузи, панталони, др.); за постигане на по-добри резултати се препоръчва да не се надвишава максималното натоварване, указано в „Таблица с програмите“. Препоръчва се да се използва течен перилен препарат в доза, подходяща за половин зареждане.

Sport Shoes (програма 13) разработена е за пране на спортни обувки; за постигане на по-добри резултати да не се перат повече от 2 чифта.

Без намачкване

Тази функция прекъсва програмата за пране, като остава дрехите накиснати, преди да се източи водата. Активна е само в програма 7 (Коприна/Пердета) и служи за избягване образуването на гънки.

За да завършите цикъла, натиснете бутона СТАРТ/ПАУЗА.


Задаване на температурата

Завъртайки ключа ТЕМПЕРАТУРА, се задава температурата на пране (вж. Таблица на програмите). Температурата може да се понижи до пране със студена вода (❄). Пералнята автоматично ще попречи да се зададе температура, която е по-висока от максималната температура, предвидена за всяка програма.

Задаване на центрофугата

Завъртайки ключа ЦЕНТРОФУГА, се задава скоростта на центрофугиране за избраната програма. Максималните предвидени скорости за програмите са:

Програми	Максимална скорост
Памучни	800 оборота в минута
Синтетични тъкани	800 оборота в минута
Вълна	600 оборота в минута
Коприна,	само източване

Скоростта на центрофугиране може да се намали или да се изключи, като се избере символът . Пералнята автоматично ще попречи да се центрофугира със скорост, по-висока от максимално предвидената за всяка програма.

Функции

Допълните функции за пране, предвидени в пералната машина, дават възможност за постигане на желаното бяло и чисто пране:




За активиране на възможните функции;

1. натиснете бутона, съответстващ на желаната функция;
2. светването на съответния индикатор показва, че функцията е избрана.

Бележка: Бързото мигане на индикатора показва, че съответната функцията не може да бъде избрана за зададената програма.


EcoTime

С избирането на тази опция механичните движения, температурата и водата са оптимизирани за пране с намалено зареждане на леко замърсени памучни и синтетични дрехи (вж. „Таблица с програмите“). С “EcoTime” може да се пере за по-кратко време, с намален разход на вода и енергия. Препоръчва се да се използва доза течен перилен препарат, подходяща за количеството на заредения товар.

! Не може да се активира с програмите 1, 2, 6, 7, 8, 9, 10, 11, 12, 13, , , .

Избелване

Цикъл на избелване, подходящ за отстраняване на упорити петна. Напомняме ви да изсипете белината в допълнителното отделение (вж. “Цикъл на избелване”).

! Не може да се активира с програмите 1, 6, 7, 8, 9, 10, 11, 12, 13, , .

Допълнително изплакване

С избора на тази функция се увеличава ефикасността на изплакването и се гарантира максимално отстраняване на перилния препарат. Подходяща е за особено чувствителна кожа.

! Не може да се активира с програмите 9, , .

Отложен Старт

Забавя пускането на машината до 12 часа.

Натиснете многократно бутона, докато светне индикаторът, съответстващ на желаната стойност за време на забавяне. При петото натискане на бутона функцията няма да е активна.

Забележка: След като веднъж е натиснат бутона СТАРТ/ПАУЗА, времето за отлагане на старта може да се промени само с намаляване, като се стигне до пускане на избраната програма.

! Валидна с всички програми.

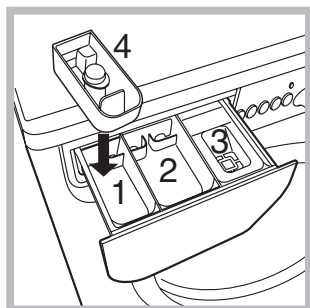
Перилни препарати и дрехи за пране

BG

Чекмедже за перилните препарати

Добрият резултат от прането зависи и от правилното дозиране на перилните препарати. с предозиране не се пере по-ефикасно, а това води до отлагане на налепи по вътрешната страна на пералната машина и до замърсяване на околната среда.

! Не използвайте препарати за ръчно пране, защото образуват много пяна.



Изтеглете чекмеджето за перилните препарати и изсипете праха за пране и допълнителните препарати по следния начин.

отделение 1: Препарат за предпране (на прах)

Преди да изсипете препарата, проверете дали не е поставено допълнителното отделение 4.

отделение 2: Препарат за пране (на прах или течен)

Течният препарат се изсипва преди включването на машината.

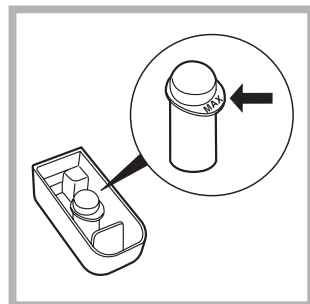
отделение 3: Допълнителни препарати (омекотител и др.)

Омекотителят не трябва да излиза извън решетката.

допълнително отделение 4: Белина

Цикъл на избелване

! Обикновената белина се използва за устойчиви бели тъкани, а деликатната белина за цветни, синтетични и вълнени тъкани.



Поставете приложеното допълнително отделение 4 в отделение 1.

При дозирането на белината не надвишавайте максималното ниво, показано на централния щифт (виж фигурата).

Само за избелване изсипете белината в допълнителното отделение 4, изберете програма "изплакване" и включете допълнителната функция "за избелване".

За избелване по време на пране изсипете перилния препарат и допълнителните препарати, изберете желаната програма и включете допълнителната функция "за избелване".

Използването на допълнителното отделение 4 изключва предпрането.

Подготвяне на прането

- Разпределете прането съобразно:
 - типа на тъканите/символа върху етикета.
 - цветовете: отделете цветните от белите дрехи.
- Изпразнете джобовите и проверете копчетата.
- Не надвишавайте указните стойности за теглото на сухото пране:
 - Устойчиви тъкани: максимално 6 кг
 - Синтетични тъкани: максимално 2,5 кг
 - Фини тъкани: максимално 2 кг
 - Вълнени тъкани: максимално 1,5 кг
 - Коприна: максимално 1 кг

Колко тежат дрехите за пране?

- 1 чаршаф 400-500 г
- 1 калъфка 150-200 г
- 1 покривка 400-500 г
- 1 хавлия 900-1200 г
- 1 кърпа 150-250 г

Специфично пране

Вълнени тъкани: С програма 6 е възможно да се перат в пералня всякакви вълнени дрехи, също и тези с етикет "само за ръчно пране". За постигане на по-добри резултати използвайте специален перилен препарат и не надвишавайте 1,5 kg пране.

Коприна: използвайте специалната програма 7 за пране на всички дрехи от коприна. За деликатните тъкани се препоръчва използването на специален вид перилен препарат.

Пердета: препоръчва се да се сгънат и поставят в доставената торбичка. Използвайте програма 7.

Jeans: преди пране обърнете дрехите и използвайте само течен перилен препарат. Използвайте програма 8.

Система за измерване на товара

Преди всяко центрофугиране, с цел избягване на прекалени вибрации и за равномерно разпределяне на товара, барабанът се завърта с малко по-висока от тази при прането скорост. Ако след направените последователни опити товарът все още не е перфектно разпределен, машината извършва центрофугиране при скорост, по-ниска от предвидената. При наличие на прекален дебалансиране пералнята извършва разпределянето вместо центрофугата. За улесняване на по-доброто разпределяне на товара и правилното му балансиране се препоръчва да се смесват дрехи за пране с големи и малки размери.

! Пералната машина е проектирана и произведена в съответствие с международните норми за безопасност. Предупрежденията тук са продиктувани по причини за безопасност и трябва да се четат внимателно.

Общи предохранителни мерки

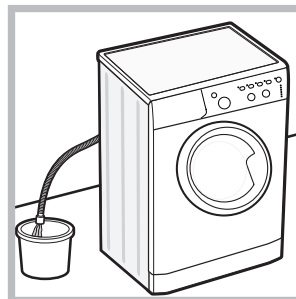
- Този уред е предназначен изключително за домашна употреба.
- Пералната машина трябва да се използва само от възрастни хора съгласно инструкциите, предоставени в тази книжка.
- Не докосвайте машината, когато сте боси или с мокри или влажни ръце или крака.
- Изключвайте от контакта, като хващате за щепсела, а не като дърпате кабела.
- Не отваряйте чекмеджето с перилните препарати, докато пералната машина работи.
- Не докосвайте маркуча за мръсната вода, защото може да достигне високи температури.
- Никога не отваряйте люка със сила, защото може да се повреди механизма за безопасност, който предпазва от случайно отваряне.
- В случай на повреда по никакъв повод не достигайте до вътрешните механизми в опити за ремонт.
- Винаги контролирайте децата да не се доближават до работещата машина.
- По време на изпирането люкът се нагрява.
- Преместването да се извършва внимателно от двама или трима души. Никога от сам човек, защото пералната машина тежи много.
- Преди да заредите машината, проверете дали барабанът е празен.

Рециклиране

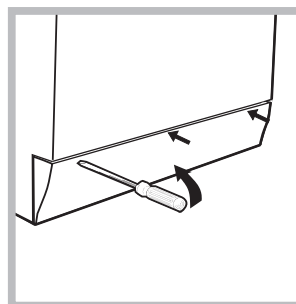
- Унищожаване на опаковъчния материал: спазвайте местните норми – по този начин опаковъчният материал може да се рециклира.
- Европейската директива 2002/96/CE за отпадъците от електрическо и електронно оборудване предвижда домакинските електроуреди да не се изхвърлят заедно с обичайните твърди градски отпадъци. Извадените от употреба уреди трябва да бъдат събирани отделно с цел да бъде увеличен делът на подлежащите на повторна употреба и рециклиране материали, от които са направени, както и да бъдат избегнати евентуални вреди за здравето и околната среда. Символът “зачеркнато кошче” е поставен върху всички продукти, за да напомня за задължителното разделно събиране. За допълнителна информация относно правилното изваждане от употреба на домакинските електроуреди, интересуващите се могат да се обърнат към службата за събиране на отпадъци или към дистрибуторите.

Ръчно отваряне на люка

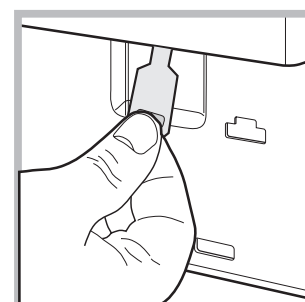
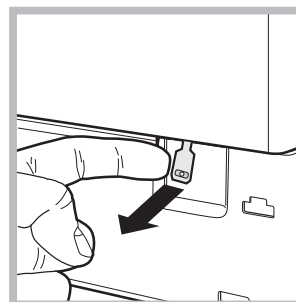
В случай че е невъзможно да се отвори вратата на люка поради прекъсване на електрическата енергия и искате да прострете прането, процедирайте по следния начин:



1. извадете щепсела от контакта за електрически ток.
2. уверете се, че нивото на водата в пералнята е по-ниско от отвора на люка; в противен случай отстранете излишната вода чрез маркуча за мръсна вода, като я съберете в кофа, както е посочено на *фигура*.



3. свалете долния панел в предната част на пералната машина с помощта на отвертка (вж. *фигура*).



4. като използвате езичето, посочено на *фигурата*, дръпнете навън до освобождаване на пластмасовия изтегляч от неподвижно положение; след това го издърпайте надолу и едновременно с това отворете вратата.

5. затворете отново панела, като, преди да го избутате към пералнята, се уверите, че сте поставили правилно закрепващите куки в специалните водачи.

Поддръжка и почистване

BG

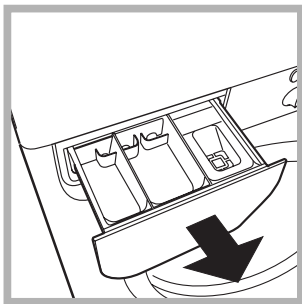
Спиране на водата и изключване на електрозахранването

- Затваряйте крана за вода след всяко изпиране. По този начин се ограничава износването на хидравличната инсталация на пералната машина и се ограничава опасността от течове.
- Изключвайте щепсела от електрическото захранване, когато почиствате пералната машина и по време на работи по поддръжката.

Почистване на пералната машина

Външната част и гумените части могат да се почистват с кърпа с хладка вода и сапун. Не използвайте разтворители или абразивни препарати.

Почистване на чекмеджето за перилните препарати



Извадете чекмеджето с повдигане и изтегляне навън (виж *фигурата*). Измийте го под течаща вода. Това почистване трябва да се извършва често.

Поддръжка на люка и на барабана

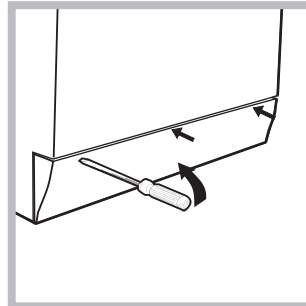
- Оставяйте люка винаги открит за избягване образуването на неприятни миризми.

Почистване на помпата

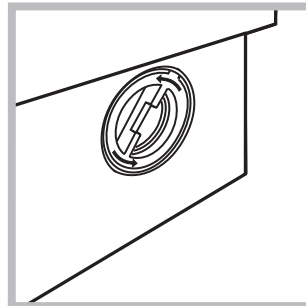
Пералната машина е окомплектована със самопочистваща се помпа, която няма нужда от поддръжка. Възможно е обаче малки предмети (монети, копчета) да попаднат във филтъра, който предпазва помпата и се намира в долната ѝ част.

! Уверете се, че цикълът на пране е завършил, и изключете щепсела от контакта.

За достъп до филтъра:



1. свалете панела в предната част на пералната машина с помощта на отвертка (вж. *фигура*);



2. отвийте капачката, като я завъртите в посока, обратна на часовниковата стрелка (виж *фигура*): нормално е да изтече малко вода;

3. почистете внимателно отвътре;
4. завийте отново капачката;
5. затворете отново панела, като, преди да го избутате към пералнята, се уверите, че сте поставили правилно закрепващите куки в специалните водачи.

Проверка на маркуча за студената вода

Проверявайте маркуча за студената вода поне веднъж годишно. Да се замени, ако е напукан и нацепен, защото по време на изпиране голямото налягане може да предизвика внезапно спукване.

! Никога не използвайте вече употребяван маркуч.

Проблеми и мерки за отстраняването им

Възможно е пералната машина да откаже да работи. Преди да се обадите в сервиза за техническа поддръжка и ремонт (вж. *“Сервизно обслужване”*), проверете дали не става въпрос за лесно решим проблем, като си помогнете със следващия списък.

Проблеми:

Възможни причини / Мерки за отстраняването им:

Пералната машина не се включва.

- Щепселът не е включен към електрически контакт или не е добре включен, за да прави контакт.
- Няма ток вкъщи.

Цикълът на изпиране не започва.

- Люкът не е затворен добре.
- Бутонът ВКЛЮЧВАНЕ/ИЗКЛЮЧВАНЕ не е бил натиснат.
- Бутонът СТАРТ/ПАУЗА не е бил натиснат.
- Кранът за вода не е отворен.
- Зададено е забавяне, което се е насложило върху времето за пускане (вж. *“Персонализираня”*).

Пералната машина не се пълни с вода (бързо мига светлинният индикатор за първата фаза на пране).

- Маркучът за студената вода не е свързан към крана.
- Маркучът е прегънат.
- Кранът за вода не е отворен.
- Няма вода по водопроводната мрежа.
- Налягането е недостатъчно.
- Бутонът СТАРТ/ПАУЗА не е бил натиснат.

Пералната непрекъснато се пълни и източва.

- Маркучът за мръсната вода не е монтиран между 65 и 100 см от земята (вж. *“Монтиране”*).
 - Краят на маркуча за мръсната вода е потопен във вода (вж. *“Монтиране”*).
 - Канализационната тръба в стената няма отдушник.
- Ако след тези проверки проблемът не се реши, затворете крана за водата, изключете пералната машина и позвънете в сервиза. Ако жилището ви се намира на последните етажи на сградата, налягането на студената вода може да е ниско, поради което пералната машина непрекъснато се пълни и източва. За избягване на това неудобство в търговската мрежа се предлагат подходящи възвратни клапани.

Пералната не се източва или не центрофугира.

- Програмата не предвижда източване: с някои програми трябва да се извършва ръчно.
- Включена е функцията “Без намачкване”: за завършване на програмата се натиска бутон СТАРТ/ПАУЗА (вж. *“Персонализираня”*).
- Маркучът за мръсната вода е притиснат (вж. *“Монтиране”*).
- Канализационната тръба е запушена.

Пералната вибрира много по време на центрофугиране.

- При монтажа барабанът не е бил отблокиран правилно (вж. *“Монтиране”*).
- Пералната машина не е нивелирана (вж. *“Монтиране”*).
- Пералната машина е притисната между мебели и стена (вж. *“Монтиране”*).

Пералната има теч.

- Маркучът за студената вода не е добре свързан (вж. *“Монтиране”*).
- Чекмеджето за перилните препарати е запушено (за почистването му вж. *“Поддръжка и почистване”*).
- Маркучът за мръсната вода не е фиксиран добре (вж. *“Монтиране”*).

Светоиндикаторите на „фазите на пране“ и този за БЛОКИРАН ЛЮК ще примигват бързо.

- Изключете машината и извадете щепсела от контакта, изчакайте около 1 минута и я включете отново. Ако неизправността не може да се отстрани, потърсете услугите на Сервиза.

Образува се твърде много пяна.

- Перилният препарат не е за автоматична перална (трябва да има надпис “за автоматична перална”, “за пране на ръка и за автоматична перална” или подобен надпис).
- Дозирането е било твърде голямо.

Преди да се свържете с техническия сервиз:

- Проверете дали можете да решите сами проблема (вж. *“Проблеми и мерки за отстраняването им”*);
- Включете отново програмата, за да проверите дали неизправността е отстранена;
- В противен случай се обърнете към оторизирания технически сервиз на телефонния номер, указан на гаранционната карта.

! Никога не ползвайте услугите на неоторизирани техници.

Съобщете:

- типа на проблема;
- модела на машината (Mod.);
- серийния номер (S/N).

Тази информация се намира на фабричната табелка, разположена на задната страна на пералната машина и в предната част, след като се отвори люкът.

Free Manuals Download Website

<http://myh66.com>

<http://usermanuals.us>

<http://www.somanuals.com>

<http://www.4manuals.cc>

<http://www.manual-lib.com>

<http://www.404manual.com>

<http://www.luxmanual.com>

<http://aubethermostatmanual.com>

Golf course search by state

<http://golfingnear.com>

Email search by domain

<http://emailbydomain.com>

Auto manuals search

<http://auto.somanuals.com>

TV manuals search

<http://tv.somanuals.com>