



PRELUDE™ MTS CENTER

Owner's Guide



PLACEMENT

The Infinity Prelude MTS center-channel loudspeaker is designed to perfectly complement the Prelude MTS loudspeaker system. It uses identical drivers to provide exceptional dialogue reproduction and a seamless transition between the front channels. The horizontal design allows for maximum placement flexibility.

About This Guide...

Please read this guide completely before connecting and operating the Prelude MTS center-channel speaker. Maximum performance is dependent upon following these instructions, as well as those listed in the owner's manuals of associated components in your home-theater system. Save these instructions for future reference.

Unpacking the Speaker...

Finish unpacking the speaker and check the contents. If you suspect damage from transit, report it immediately to your dealer and/or delivery service. Keep the shipping carton and packing materials for future use.

Contents...

Please verify that the package contains the following items:

- (1) Prelude MTS center-channel speaker
- (1) Speaker stand

Owner's Guide and Warranty Sheet

Care of Your Speaker System...

When needed, use a soft cloth, dampened with water only, to remove any fingerprints or to wipe off dust. Do not use any cleaning products or polishes. Clean the grille by gentle vacuuming.

For best results, place the Prelude MTS center-channel speaker on its stand, either on top of or below the television. Tilt it down (or up) so the front is aimed toward the listeners (see Figures 2 and 3). Also, position the speaker so the front grille is even with the TV screen, as shown in Figure 1.

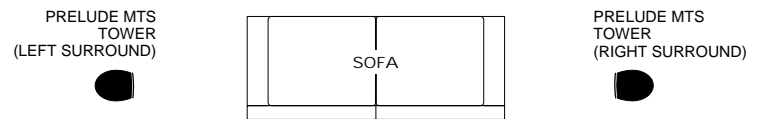


FIGURE 1 This overhead view shows a typical home-theater plan.

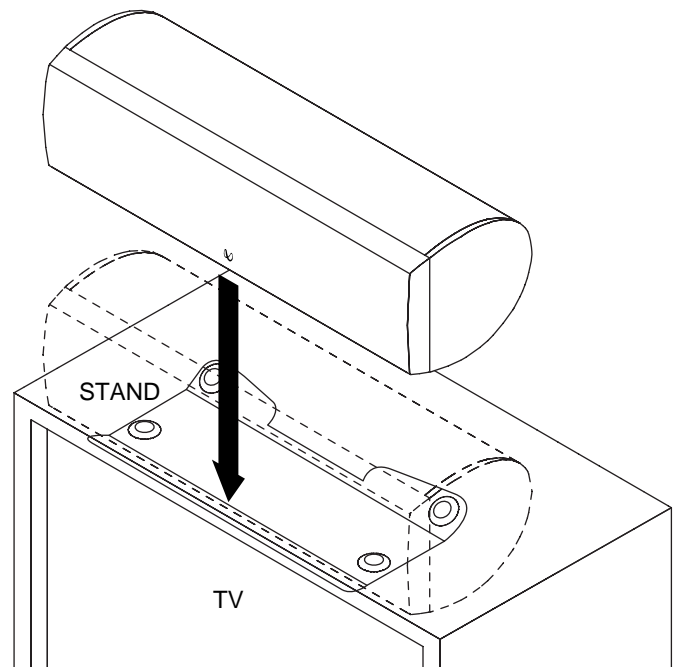


FIGURE 2 This example shows the Prelude MTS center-channel speaker being placed on top of a television. The speaker can also be placed below the television and tilted up (see Figure 3).

WIRING THE SYSTEM

Tilting the Speaker...

If needed, the enclosed stand allows you to tilt the speaker across a 25-degree range (i.e., 18° maximum up and 7° maximum down), as shown in Figure 3.

Important!

Do not exceed the tilt range. Doing so may cause the speaker to fall out of its stand.

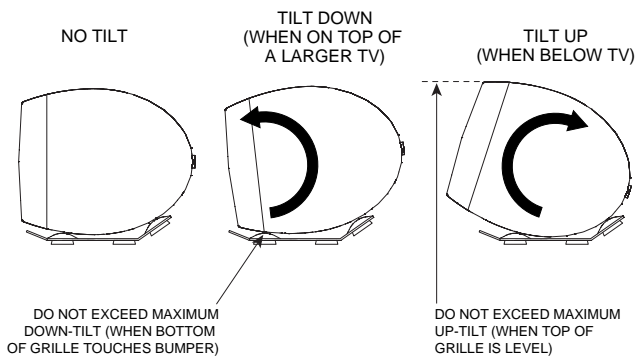


FIGURE 3 The Prelude MTS center channel can be tilted up or down in its stand.

After placing the speaker, you are ready to connect it to your system. First, turn off all audio-system power. Use high-quality speaker wire to make the connections. Consult the owner's manuals, included with your amplifier or receiver, for connection and operation procedures.

Surround Modes...

When using the Prelude MTS Center in a Dolby® Digital or DTS® home-theater system, make sure the receiver's/processor's center-channel speaker modes are set to "Small". When using the Prelude MTS Center in a Dolby Pro Logic® home-theater system, make sure the receiver's/processor's center-channel mode is set to "Normal".

Wiring and Polarity...

The Prelude MTS Center speaker has gold-plated terminals that can accept either bare wire or banana connectors. To ensure proper polarity, connect each + terminal on the back of the amplifier or receiver to the respective + (red) terminal on each speaker, as shown in Figure 4. Connect the - (black) terminals in a similar way. See the owner's manuals that were included with your amplifier or receiver to confirm connection procedures.

Important!

Do not reverse polarities (i.e., + to -, or - to +) when making connections. Doing so will degrade the imaging and bass response of the home-theater system.

After correctly placing and wiring the Prelude MTS Center and the rest of your speaker system, adjust the levels for all of the channels as recommended by the manufacturer of your receiver/processor.

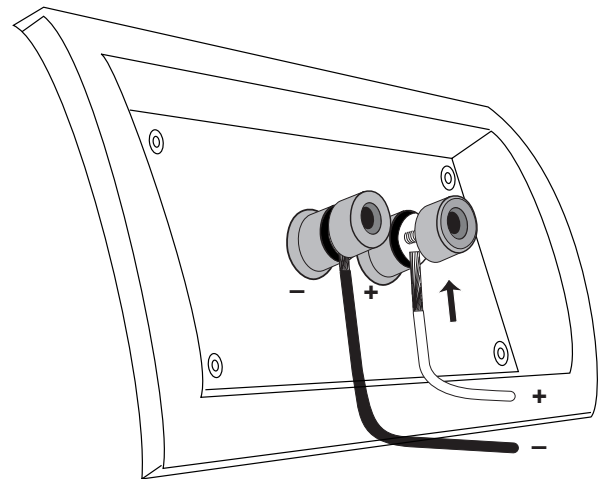


FIGURE 4 This example shows how to connect bare wires to the terminals. Banana plugs may also be inserted directly into the rear of the connector.

- 1 Loosen the terminals.
- 2 Insert bare ends; tighten terminals.

SPECIFICATIONS

Performance Data...

Frequency Response: 80 ~ 22,000Hz (± 3 dB)
100 ~ 20,000Hz (± 1.5 dB)

Impedance: 4 ohms (± 1 ohm)

Sensitivity: 89dB
(2.83V @ 1m)

Recommended Amplifier Power Range: 25 – 500 watts

2nd- and 3rd-Order Harmonic Distortion: < 1%
(20Hz – 20kHz @ 95dB SPL)

Drive Units...

Low Frequency: 2 x 5-1/4" (133mm) C.M.M.D.TM drivers, magnetically shielded, neodymium magnet

Mid Frequency: 3-1/2" (89mm) C.M.M.D. drivers, magnetically shielded, neodymium magnet

High Frequency: 1" (25mm) C.M.M.D. drivers, elliptical waveguide, magnetically shielded, neodymium magnet

Crossover Frequencies: 300Hz, 2000Hz – 24dB/octave

Dimensions...

Width: 23" (584mm)

Height: 6-1/2" (165mm)

Depth: 7-5/8" (194mm)

Weight: 21-1/4 lb (9.65 kg)

* Trademarks of Dolby Laboratories.

DTS is a registered trademark of Digital Theater Systems, Inc.

Infinity is a registered trademark of Infinity Systems, Inc.

Infinity continually strives to update and improve existing products, as well as create new ones. The specifications and construction details in this and related Infinity publications are therefore subject to change without notice.

Declaration of Conformity



We, Infinity Systems A/S
Kongevejen 194B
DK-3460 Birkerød
DENMARK

declare in own responsibility, that the product described in this owner's manual is in compliance with technical standards:

EN 50081-1:1992

EN 50082-1:1992

Steen Michaelsen
Infinity Systems A/S
Birkerød, DENMARK, 9/99



Free Manuals Download Website

<http://myh66.com>

<http://usermanuals.us>

<http://www.somanuals.com>

<http://www.4manuals.cc>

<http://www.manual-lib.com>

<http://www.404manual.com>

<http://www.luxmanual.com>

<http://aubethermostatmanual.com>

Golf course search by state

<http://golfingnear.com>

Email search by domain

<http://emailbydomain.com>

Auto manuals search

<http://auto.somanuals.com>

TV manuals search

<http://tv.somanuals.com>