

TOTAL SOLUTIONS™

TSS 3-IN-1



TOTAL SPEAKER SOLUTIONS

TSS 3-IN-1
Owner's Guide



INTRODUCTION

Infinity Total Solutions™

The Infinity Total Solutions TSS 3-in-1 loudspeaker is actually three discrete loudspeakers built into a single enclosure. The TSS 3-in-1 incorporates the front left, center and right channels of a home theater system. Simply add a Total Solutions powered subwoofer and satellites for the surround channels to complete a high-performance home entertainment speaker system. The TSS 3-in-1 uses identical drivers to provide exceptional dialogue reproduction and a seamless transition between the front channels. The horizontal design allows for maximum placement flexibility.

About This Guide

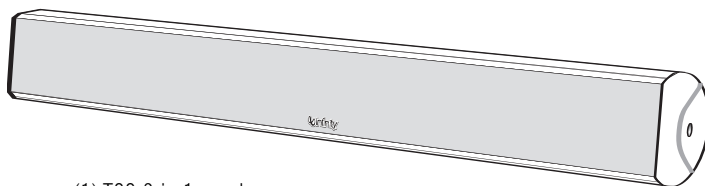
Please read this guide completely before connecting and operating the TSS 3-in-1 center channel speaker. Maximum performance is dependent upon following these instructions, as well as those in the owner's manuals of associated components in your home theater system. Save these instructions for future reference.

Unpacking the Speaker

Finish unpacking the speaker and check the contents. If you suspect damage from transit, report it immediately to your dealer. Keep the shipping carton and packing materials for future use.

Contents

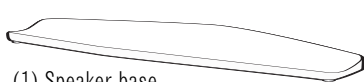
Please verify that the package contains the following items:



(1) TSS 3-in-1 speaker



(2) Wall-mount end caps (attached to TSS 3-in-1)



(1) Speaker base



(1) Allen wrench



(1) Wall bracket with wall bracket cover

PLANNING YOUR SYSTEM

Before deciding where to best place your speakers, survey your room and study Figures 1 and 2. The TSS 3-in-1 should be placed directly above or below the TV.

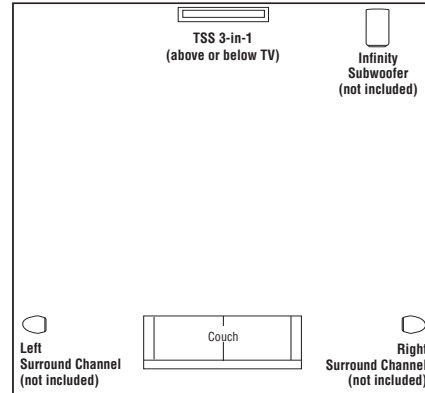


Figure 1. In this overhead view of a typical installation, the TSS 3-in-1 is used to reproduce the front channels, and satellite speakers are used to reproduce sound for the surround channels. The powered subwoofer provides bass for movie effects and for music.

Placement

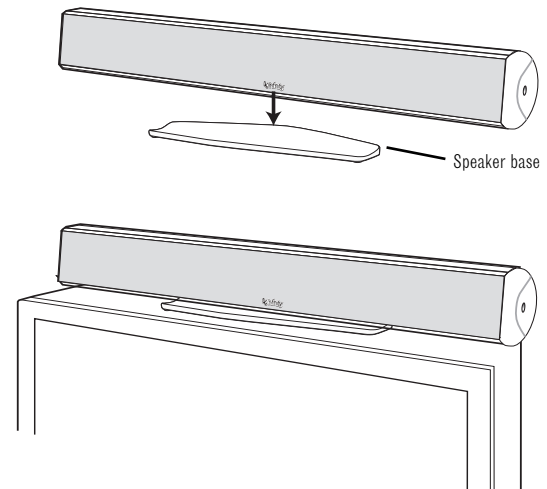


Figure 2. This example shows the TSS 3-in-1 being placed on top of a television. The speaker can also be placed below the television and tilted up (see Figure 3).

NOTE: If placing the TSS 3-in-1 on top of a television, be sure the top of the television has a flat surface large enough to accommodate the speaker base. Do not set the speaker on top of any surface without using the included base.

Tilting the Speaker

If needed, the enclosed stand allows you to tilt the speaker across a wide range (i.e., upward to a maximum of 18° or downward to a maximum of 7°), as shown in Figure 3.

Important!

Do not exceed the tilt range. Doing so may cause the speaker to fall out of its stand.

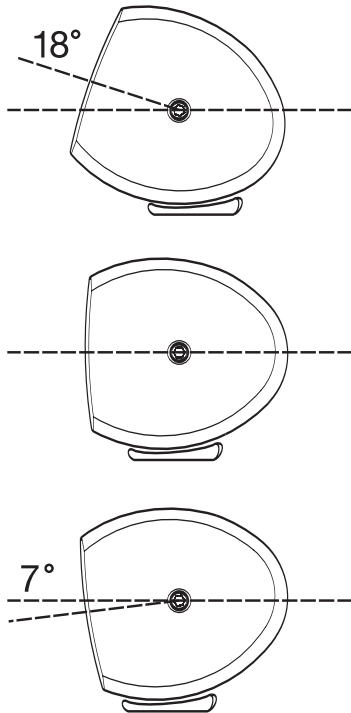


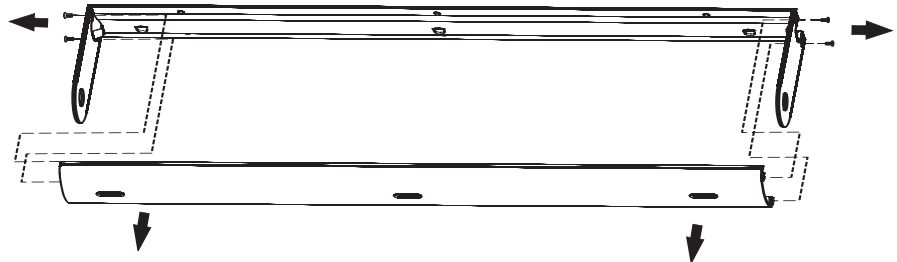
Figure 3.

Wall-Mounting the TSS 3-IN-1 Using the Included Wall Bracket

The customer is responsible for proper selection and use of mounting hardware, and for correctly and safely wall-mounting the speakers.

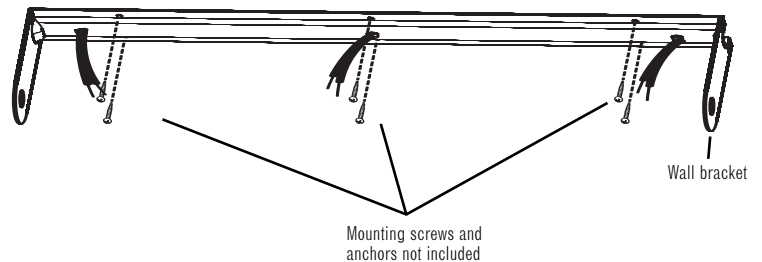
Step One

Remove the wall bracket cover by removing the four wall-bracket screws on the ends, as shown.



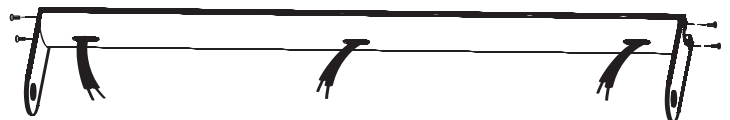
Step Two

Run the speaker wire for the left, center and right channels behind the wall bracket and out the holes in the bracket. After deciding where to place the speaker, attach the wall bracket (in a horizontal position) to the wall using the appropriate screws and anchors.



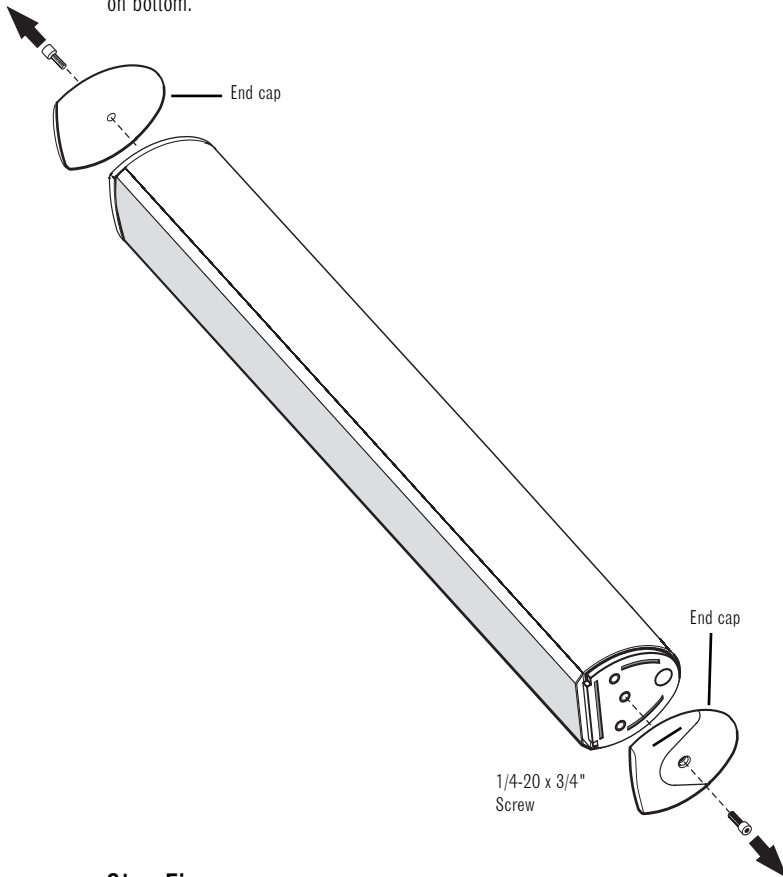
Step Three

Run the speaker wires out through the holes in the wall bracket cover. Resecure in place, as shown, with the four wall bracket screws.



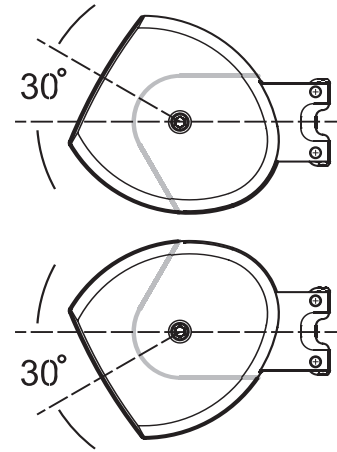
Step Four

Using the included Allen wrench, remove the top and bottom end caps of the speaker by unscrewing the single center screw on bottom.



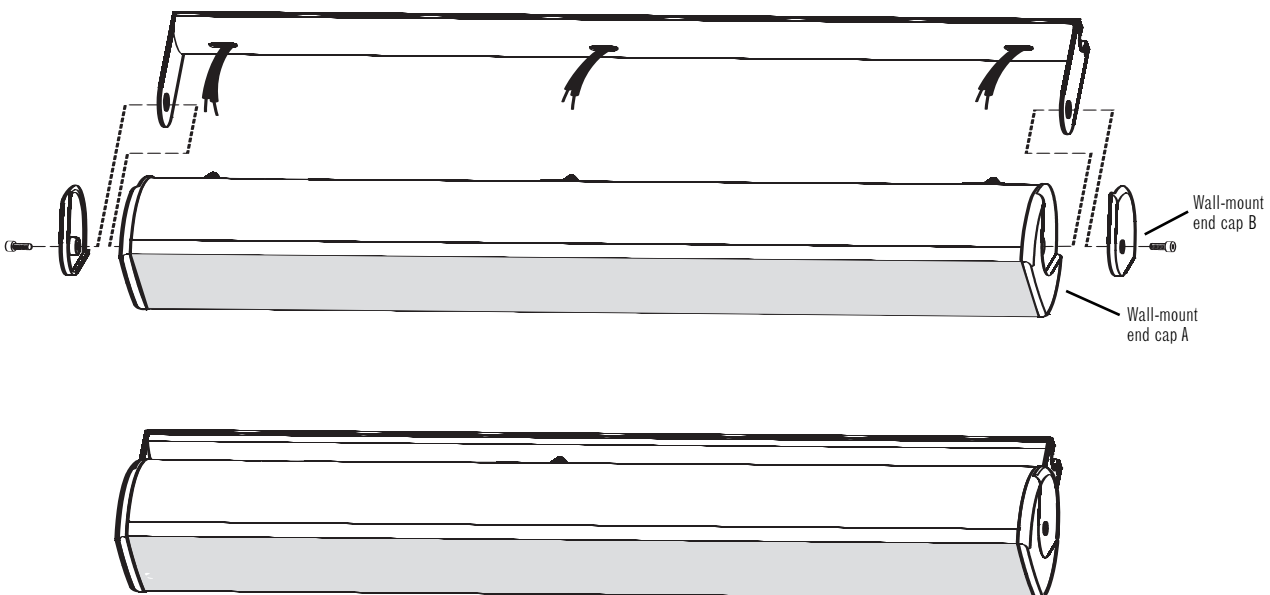
Step Six

The wall-bracket design allows for rotation of the speakers at angles of up to 30 degrees of center. Position the speakers so they face toward the primary listening position, before fully tightening.



Step Five

Connect the wires (see page 5). Replace the end caps while capturing the wall bracket between parts A and B of the end cap, securing it in place.



WIRING THE SPEAKER

After placing the speaker, you are ready to connect it to your system. First, turn off all audio system power. Use high-quality speaker wire to make the connections. Consult the owner's manuals included with your amplifier or receiver for connection and operation procedures.

Surround Modes

When using the TSS 3-in-1 in a Dolby® Digital or DTS® home theater system, make sure the receiver's/processor's front left, front right and center channel speaker modes are set to "Small."

Wiring and Polarity

The TSS 3-in-1 speaker has gold-plated terminals that can accept bare wire. To ensure proper polarity, connect each + terminal on the back of the amplifier or receiver to the respective + (red) terminal on each speaker, as shown in Figure 4. Connect the – (black) terminals in a similar way. See the owner's manuals that were included with your amplifier or receiver to confirm connection procedures.

Be sure to connect the left-channel wires to the left-most terminals, the center channel wires to the middle terminals, and the right-channel wires to the right-most terminals.

Important!

Do not reverse polarities (i.e., + to – or – to +) when making connections. Doing so will degrade the imaging and bass response of the home theater system.

After correctly placing and wiring the TSS 3-in-1 and the rest of your speaker system, adjust the levels for all of the channels as recommended by the manufacturer of your receiver/processor.

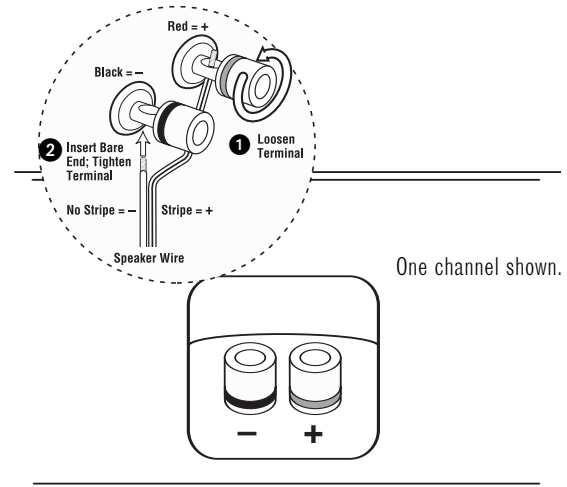


Figure 4. This example shows how to connect bare wires to the terminals. Banana plugs may also be inserted directly into the rear of the connector.

- 1 Loosen the terminals.
- 2 Insert bare ends; tighten terminals.

CARE OF YOUR SPEAKER SYSTEM

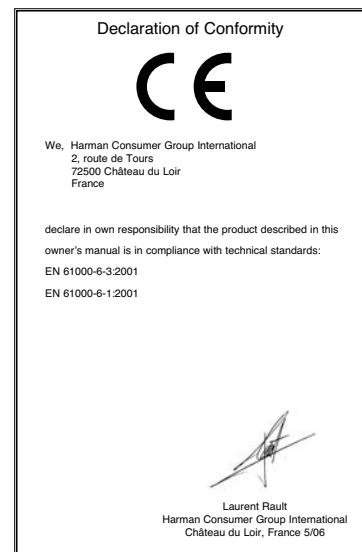
When needed, use a soft cloth to remove any fingerprints or to wipe off dust. Do not use any cleaning products or polish. Clean the grille by gentle vacuuming.

If your TSS 3-in-1 should ever need service, please contact your local dealer or distributor, or visit www.infinitysystems.com for the location of a service center.

SPECIFICATIONS

TSS 3-IN-1	Each Channel
Frequency Response	120 – 20kHz (±3dB)
Nominal Impedance	8 Ohms
Sensitivity (2.83V @ 1m)	89dB
Recommended Amplifier Power Range	10 – 125 Watts
Crossover Frequency	3,500Hz; 24dB/octave
Low-Frequency Drivers	(2) 3-1/2" (89mm) MMD, magnetically shielded
High-Frequency Driver	3/4" (19mm) MMD, elliptical waveguide, magnetically shielded
Dimensions (H x W x D)	4-1/8" x 40-1/8" x 4-3/8" (105mm x 1019mm x 111mm)
Weight	15.25 lb (6.9kg)

Infinity continually strives to update and improve existing products, as well as create new ones. The specifications and construction details in this and related Infinity publications are therefore subject to change without notice.



NOTES



TECHNOLOGY • PERFORMANCE • DESIGN

Infinity Systems, 250 Crossways Park Drive, Woodbury, NY 11797 USA (516) 674-4463 (USA only) www.infinitysystems.com

Infinity, Harman International and MMD are registered trademarks, and Total Solutions is a trademark, of Harman International Industries, Incorporated. Dolby is a registered trademark of Dolby Laboratories. DTS is a registered trademark of DTS, Inc.

Part No. ML-TS40LCR 5/06

© 2006 Harman International Industries, Incorporated. All rights reserved.

H A Harman International® Company

Free Manuals Download Website

<http://myh66.com>

<http://usermanuals.us>

<http://www.somanuals.com>

<http://www.4manuals.cc>

<http://www.manual-lib.com>

<http://www.404manual.com>

<http://www.luxmanual.com>

<http://aubethermostatmanual.com>

Golf course search by state

<http://golfingnear.com>

Email search by domain

<http://emailbydomain.com>

Auto manuals search

<http://auto.somanuals.com>

TV manuals search

<http://tv.somanuals.com>