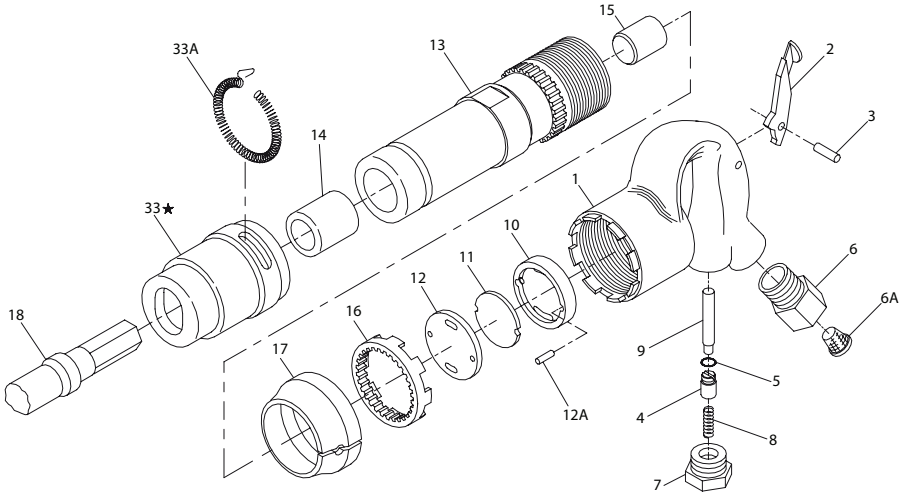


K2 Series Air Percussive Scaler Exploded Diagram



(Dwg. TPC2-2)

K2 Series Air Percussive Scaler Parts List

Item	Part Description	Part Number	Item	Part Description	Part Number
1	Handle Assembly	K-1B	+ 14	Nozzle	
+ 2	Throttle Lever	N00-78		Hexagon (standard size)	B01-7B
+ 3	Throttle Lever Pin	N00-15		Round (standard size)	B01-19B
+ 4	Throttle Valve	AVC11-402	*	Warning Label	
+ 5	Throttle Valve Face	AVC11-259		(for models ending in 1SA, 2 or 2SA only)	WARNING-6-99
6	Strainer Body	R0B1J61-565			
6A	Air Strainer	AF120-61		Oversize Hexagon Nozzle	
7	Throttle Valve Cap	AV1-109		.0005" oversize	B01-7B-5
+ 8	Throttle Valve Spring	H02-51	+ 15	Piston	
9	Throttle Valve Plunger	AV1-64		Standard Size	K2-5
10	Valve Box	K-4		.004" oversize	K2-5-4
11	Valve	K1-2		.008" oversize	K2-5-8
12	Valve Seat	K-3	16	Locking Ring	K-196A
12A	Valve Box Dowel Pin (2)	K-32	17	Exhaust Deflector	K-85A
13	Barrel Assembly		# 18	Chisel	---
	with Hexagon Nozzle				
	for models ending in 1 or 1SA	K2L-AH6A			
	for models ending in 1-EU or 1SA-EU	K2L-AE-EU-6A			
	with Round Nozzle				
	for models ending in 2 or 2SA	K2L-AR6A			
	for models ending in 2-EU or 2SA-EU	K2L-AR-EU-6A			

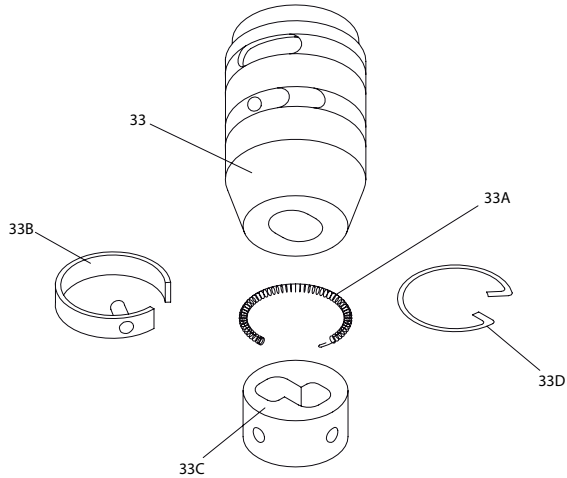
* Not Illustrated

+ The listed Throttle Valve with rubber Throttle Valve Face can be used as a replacement for the all-steel Throttle Valve previously used. The all-steel Throttle Valve is no longer available.

• To keep downtime to a minimum, it is desirable to have on hand certain repair parts. We recommend that you stock one (pair or set) of each part indicated by a bullet (•) for every four tools in service.

Inquire at nearest **Ingersoll Rand** Distributor for types and prices.

Arrow Quick Change Retainer Exploded Diagram



(Dwg. TPD416)

Arrow Quick Change Retainer Parts List

Item	Part Description	Part Number
33	Arrow Retainer	
	Plain Type (illustrated on Tool)	K2L-1190
	Quick-Change Type (See Figure 1)	K2L-1191
33A	Lock Spring (for No. K2L-1190 or No. K2L-1191 Retainer)	HH1-1194
33B	Flat Spring and Pin (for No. K2L-1191 Retainer)	HH1-1191-2A
33C	Rotating Insert (for No. K2L-1191 Retainer)	HH1-1191-3
33D	Insert Spring (for No. K2L-1191 Retainer)	HH1-1191-4

Maintenance Tools

Tool Number for Ordering	Tool Name for Ordering	Operation
34SR-54	Exhaust Deflector Pliers	Removing and installing Exhaust Deflector (17).
K2L-119	Nozzle Ejection Arbor	Remove Nozzle (14) from Barrel (13).

Parts and Maintenance

When the life of the tool has expired, it is recommended that the tool be disassembled, degreased and parts be separated by material so that they can be recycled.

Tool repair and maintenance should only be carried out by an authorized Service Center.

Refer all communications to the nearest **Ingersoll Rand** Office or Distributor.

Related Documentation

For additional information refer to:

Product Safety Information Manual 04581450.

Product Information Manual 16574147.

Maintenance Information Manual 16574220.

Manuals can be downloaded from www.irttools.com.



www.irttools.com

© 2007 **Ingersoll Rand** Company

16574303

Edition 1

February 2007

Free Manuals Download Website

<http://myh66.com>

<http://usermanuals.us>

<http://www.somanuals.com>

<http://www.4manuals.cc>

<http://www.manual-lib.com>

<http://www.404manual.com>

<http://www.luxmanual.com>

<http://aubethermostatmanual.com>

Golf course search by state

<http://golfingnear.com>

Email search by domain

<http://emailbydomain.com>

Auto manuals search

<http://auto.somanuals.com>

TV manuals search

<http://tv.somanuals.com>