

FOLLOWER PLATE

120 LB. DRUM

RELEASED:10-13-73
REVISED:11-17-95

**IMPORTANT: READ THIS MANUAL CAREFULLY BEFORE INSTALLING,
OPERATING OR SERVICING THIS EQUIPMENT.**

GENERAL DESCRIPTION

These gravity fed follower plates are designed to be used in a 120 lb. container. The follower plate shown consists of a welded plate and seal. The three seals (Buna "N") listed are for adapting to various size tubes.

The Tube sizes are:

640024 – 1" Diameter Tube

640027 – 2" Diameter Tube

640028 – 1-1/2" Diameter Tube

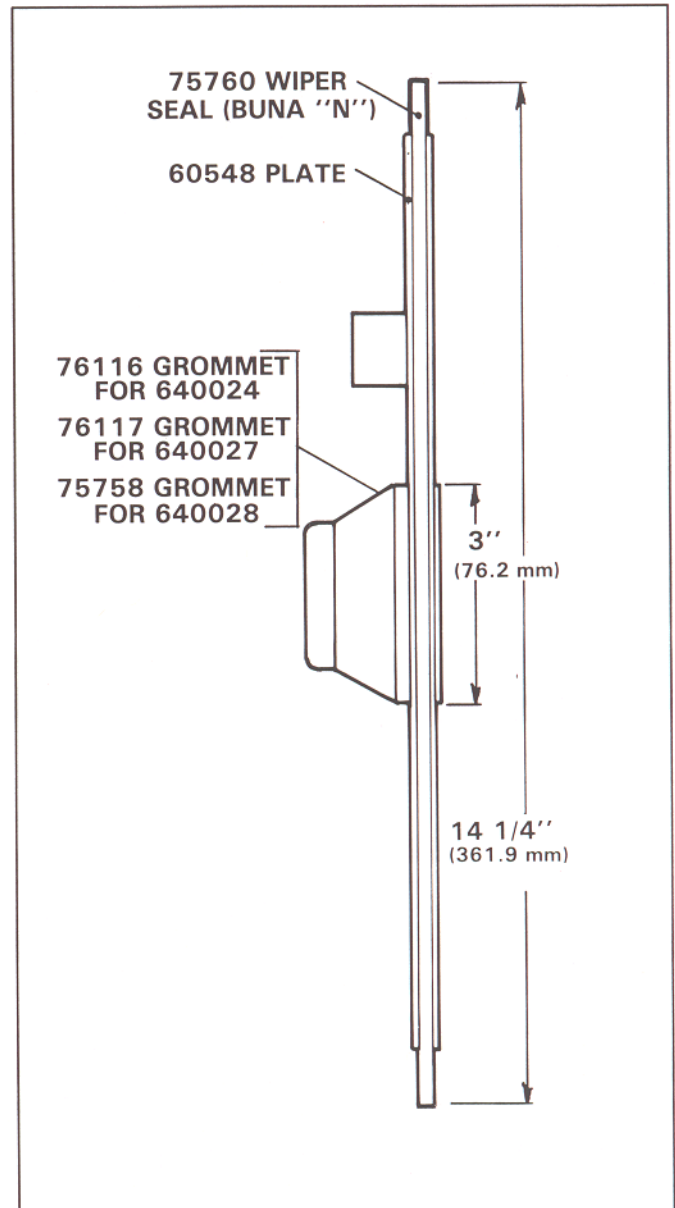
FOLLOWER PLATE INSTRUCTIONS

1. CHECK THE FOLLOWING BEFORE INSTALLATION

- Pump tube must be smooth.
- Follower Plate must fit pump tube with just a slight drag.
- Excessively large dents in the container will prevent follower plate from setting.

2. INSTALLING FOLLOWER PLATE

- Place follower plate in container, then press down until the material is forced through the pump tube grommet, thus eliminating air between the follower plate and the material
- Pump must center on container to prevent follower plate from binding against material container.



Free Manuals Download Website

<http://myh66.com>

<http://usermanuals.us>

<http://www.somanuals.com>

<http://www.4manuals.cc>

<http://www.manual-lib.com>

<http://www.404manual.com>

<http://www.luxmanual.com>

<http://aubethermostatmanual.com>

Golf course search by state

<http://golfingnear.com>

Email search by domain

<http://emailbydomain.com>

Auto manuals search

<http://auto.somanuals.com>

TV manuals search

<http://tv.somanuals.com>