

FOLLOWER PLATE (For 16 gallon or 60 Litres)

① Apply Loctite Nickel anti-seize to threads.

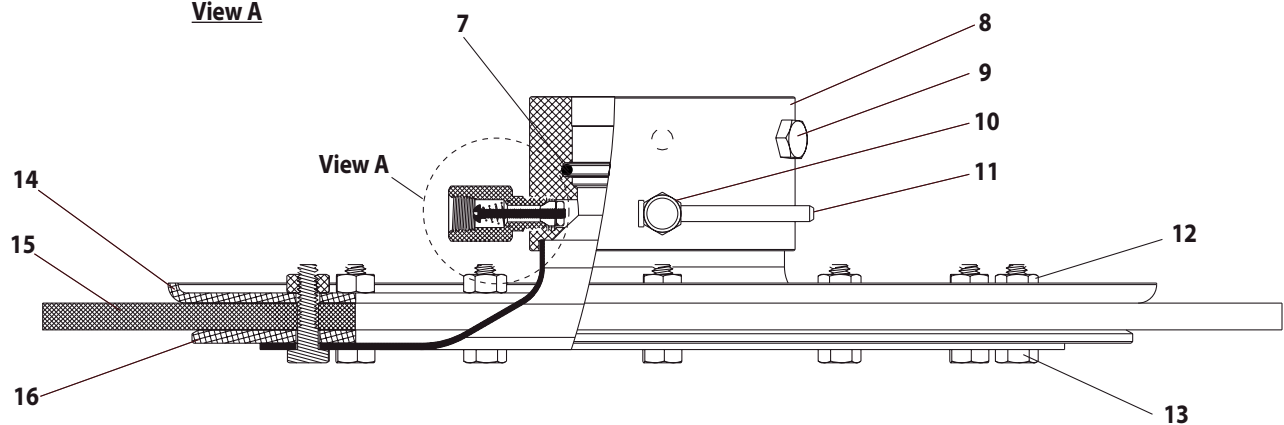
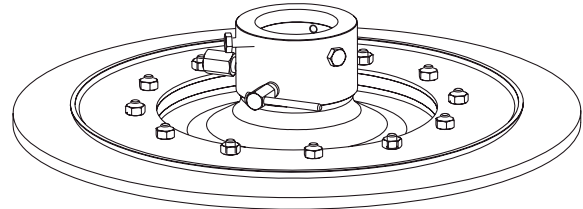
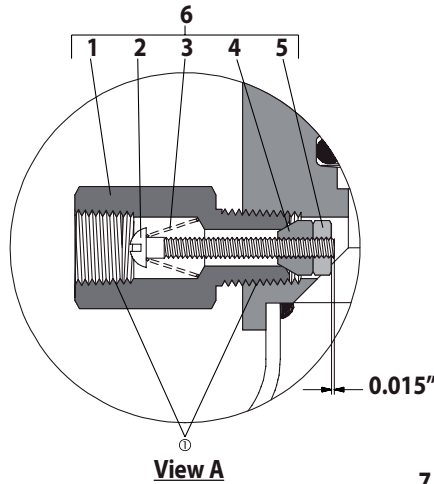


Figure 1

Item	Description (size)	Qty	Part No.	Mtl
1	Check Valve Body (1/8 - 27 N.P.T.F. - 1)	(1)	93987	[SS]
2	Machine Screw (#4 - 40 x 1")	(1)	Y8-251-S	[SS]
3	Spring	(1)	93989	[SS]
4	Valve Nut	(1)	93986	[D]
5	Nut (#4 - 40)	(1)	Y22-4-S	[SS]
6	Valve Assembly (includes items 1 - 5)	(1)	67130	
7	"O" Ring (1/8" x 2-3/8" o.d.)	(1)	Y325-227	[B]
8	Follower Assembly	(1)	67132-1	[C]
9	Cap Screw (1/4" - 20 x 5/8")	(3)	Y6-42-T	[SS]
10	Plug (1/8 - 27 N.P.T.F. - 1)	(1)	93988	[SS]

Item	Description (size)	Qty	Part No.	Mtl
11	Clevis Pin	(1)	93990	[C]
12	Nut (1/4" - 20)	(12)	Y12-4-C	[C]
13	Cap Screw (1/4" - 20 x 1")	(12)	Y6-45-C	[C]
14	Clamp (11.636" o.d.)	(1)	09MAR24-1	[C]
15	Wiper Seal (14.587" o.d.)	(1)	09MAR24-3	[U]
16	Back Up (11.072" o.d.)	(1)	09MAR24-4	[C]

MATERIAL CODE

[B] = Nitrile [SS] = Stainless Steel
[C] = Carbon Steel [U] = Urethane
[D] = Acetal

Free Manuals Download Website

<http://myh66.com>

<http://usermanuals.us>

<http://www.somanuals.com>

<http://www.4manuals.cc>

<http://www.manual-lib.com>

<http://www.404manual.com>

<http://www.luxmanual.com>

<http://aubethermostatmanual.com>

Golf course search by state

<http://golfingnear.com>

Email search by domain

<http://emailbydomain.com>

Auto manuals search

<http://auto.somanuals.com>

TV manuals search

<http://tv.somanuals.com>