



Real Security Sets You Free.™

Keypad Deadbolts Cylinder Removal and Re-Keying Kit

Schlage Keypad Deadbolts come standard with a 5-pin solid brass C-keyway cylinder. The re-keying steps are the same as for the Schlage B-300 series deadbolt. Cylinder removal and replacement instructions are illustrated on the back page. A supplemental kit has been designed with replacement parts for the Keypad Locks and Deadbolts.



Supplemental Re-Keying Kit

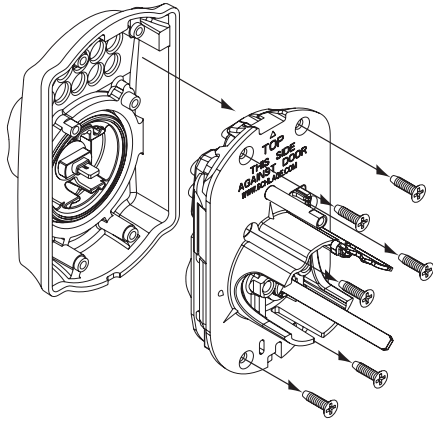
Part Number 38-030 Keypad Re-Keying Kit

Part Number	Description	Kit Qty.	Reorder Qty.
F605-367	CYLINDER DRIVER BAR FOR KPL	10	100
B520-628	WASHER FOR KPD TAILPIECE	15	150
B520-607	SPACER FOR KPD TAILPIECE	15	150
B520-608	RETAINER FOR KPD TAILPIECE	25	250
F605-349	SCREW FOR ATTACHING OUTSIDE KPD ESCUTCHEON TO BASEPLATE	15	150
B520-606	CYLINDER DRIVER BAR FOR KPD	10	100

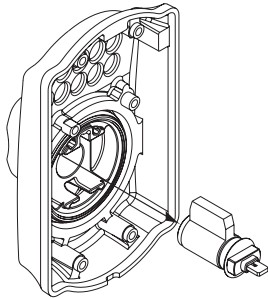


BE365 Cylinder Removal Instructions

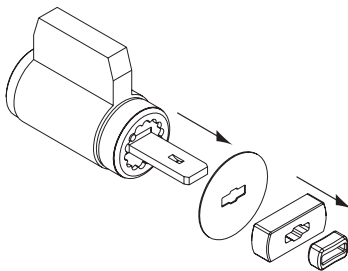
1 Remove Backplate from Outside Keypad Assembly



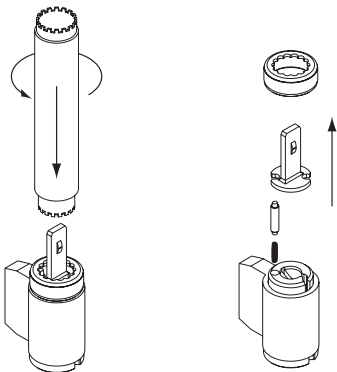
2 Remove Cylinder from Thumbturn



3 Remove Retainer, Block and Disc from Cylinder

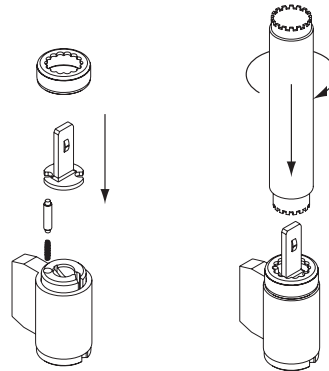


4 Remove Cylinder Cap, Tailpiece, Pin, and Spring



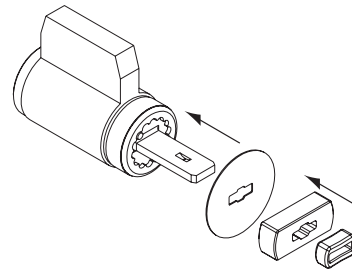
5 Rekey Cylinder as Usual

6 Install Spring, Pin, Tailpiece, and Cylinder Cap



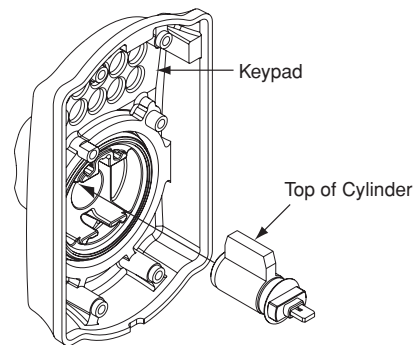
NOTE: Tailpiece is available in the Schlage Supplemental Electronics Lock Rekeying Kit

7 Install Disc, Block and Retainer



8 Reinstall Cylinder as Shown

NOTE: Make sure top of cylinder is pointing toward keypad.



9 Use BE365 Installation Sheet to Install Lock.

Free Manuals Download Website

<http://myh66.com>

<http://usermanuals.us>

<http://www.somanuals.com>

<http://www.4manuals.cc>

<http://www.manual-lib.com>

<http://www.404manual.com>

<http://www.luxmanual.com>

<http://aubethermostatmanual.com>

Golf course search by state

<http://golfingnear.com>

Email search by domain

<http://emailbydomain.com>

Auto manuals search

<http://auto.somanuals.com>

TV manuals search

<http://tv.somanuals.com>