



16574022
Edition 2
June 2006

Air Grinder and Die Grinders CD and CX Series, Horizontal

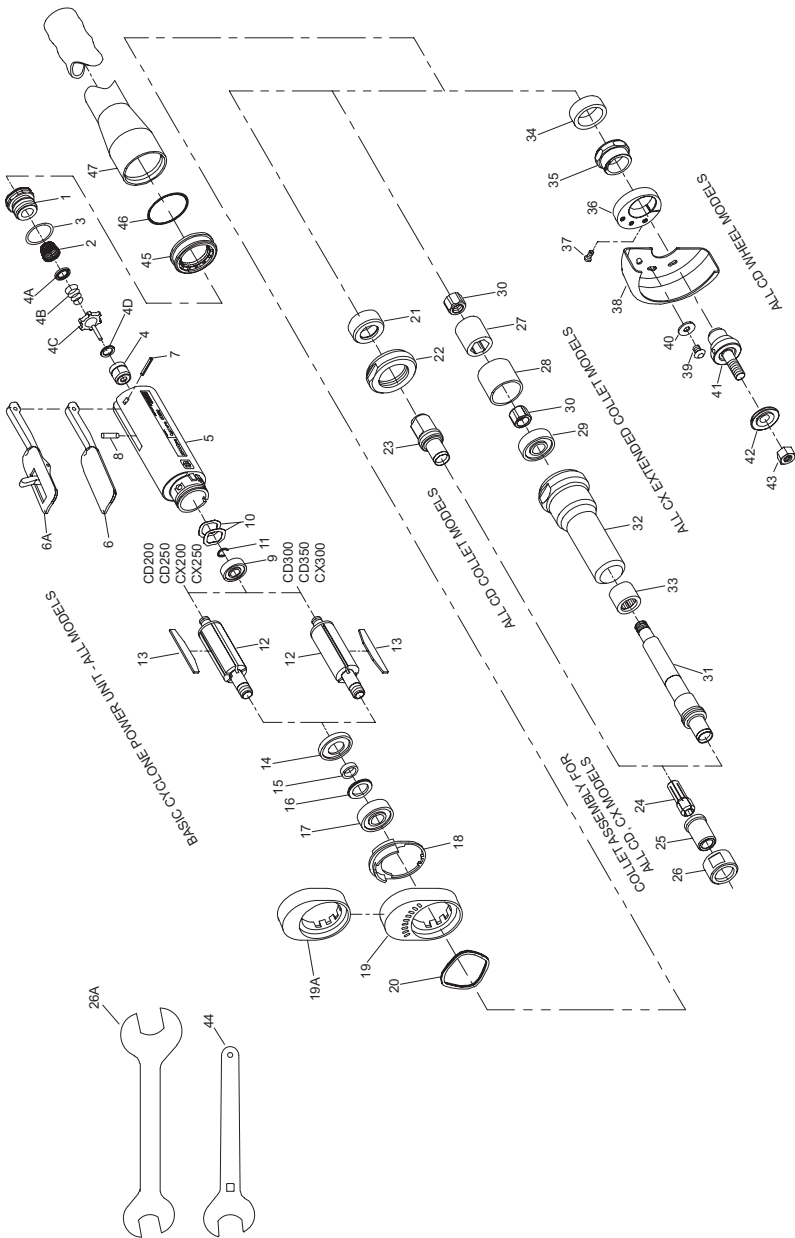
Parts Information



Save These Instructions



CD and CX Grinder and Die Grinder Exploded Diagram



(Dwg. TPA1267-7)

CD and CX Grinder and Die Grinder Parts List

Item	Part Description	Part Number	Item	Part Description	Part Number	
	Common parts for ALL CD and CX Grinders		18	Flow Ring		
1	Inlet Assembly	LG1-A465A		for CD200 and CX200 (20000 rpm) (grey)	LG1-103-0	
2	Inlet Screen	R1602-61		for CD250 and CX250 (25000 rpm) (brown)	LG1-103-1	
• 3	Inlet Seal	85H-167		for CD300 and CX300 (30000 rpm) (khaki)	LG1-103-2	
	Throttle Valve Kit	LG1-K300		for CD350 (32000 rpm) (red)	LG1-103-3	
4	Throttle Valve Case	LG1-300A				
4A	Throttle Valve Spring Seat	LG1-592				
4B	Throttle Valve Spring	7L-51	19	High Profile Flange	LG1-23	
4C	Throttle Valve	AG210-302	# 19A	Low Profile Concentric Flange (for all models ending in C or MC)	LG1R-23	
4D	Throttle Valve Seat	LG1-303				
5	Motor Housing	LG1-40	20	Flange Clamp	LG1-29	
6	Throttle Lever	LG1-273		Additional parts for all CD collet models		
6A	Locking Throttle Lever Assembly (standard equipment on models ending in C, L, MC or ML; optional for all others)	LG1-A400		21	Clamp Spacer	LG1-46
				22	Clamp Nut	LG1-27
				23	Collet Body	LG1-290
*	Lever Lock	LG1-402		Additional parts for all collet models		
*	Lock Spring	LG1-405	24	Collet		
*	Lock Pin	5UT-757		6 mm (-EU models)	DG110-700-6mm	
7	Throttle Lever Pin	61H-120		1/4" (standard domestic)	DG110-700-G4	
8	Throttle Valve Plunger	LG1-191		1/8" (available at extra price)	DG110-700-G2	
9	Rear Rotor Bearing	DG230-22	25	Nosepiece	AG210-698A	
• 10	Rear Rotor Bearing Spacer (2)	DG20-278	26	Collet Nut	AG210-699A	
• 11	Rear Rotor Bearing Retainer	LG1-118	26A	Collet Wrench (11/16" x 7/16") (included with all models) (2)	DG20-69A	
12	Rotor			Additional parts for all extended CX collet models		
	for CD300, CX300 and CD350 (3 slots)	LG1-53-3				
	for all others (5 slots)	LG1-53-5	27	Arbor Coupling	LE1-304	
• 13	Vane Packet (set of 5 Vanes)	LG1-42-5	28	Clamp Sleeve	LE1-276	
14	Front End Plate	LG1-11	29	Rear Arbor Bearing	AG210-24	
15	Front End Plate Spacer	DG10-65-5	30	Arbor Bearing Nut (2)	LE1-85	
• 16	Front Seal Cup	LG1-32	31	Extension Arbor	LE1-4A-3	
17	Front Rotor Bearing	LG1-24	32	Arbor Housing Assembly	LE1-A20-3	
			33	Front Arbor Bearing	AGS241-511	

* Not illustrated.

- To keep downtime to a minimum, it is desirable to have on hand certain repair parts. We recommend that you stock one (pair or set) of each part indicated by a bullet (•) for every four tools in service.



WARNING

Always install a Locking Throttle Lever Assembly (6A) on a tool with a Low Profile Concentric Flange (19A). Do not equip a tool with a standard non-locking Throttle Lever (6) and Low Profile Concentric Flange. This can allow the tool to continue to run if dropped or set down.

† When ordering a Piped-Away Exhaust Kit, make certain the wrench hex on the Inlet Assembly of your tool is threaded. If it is **NOT** threaded, order a new Inlet Assembly (Part No. LG1-A465A).

+ Standard equipment on models ending in M, MC or ML and ALL Front Exhaust models; optional equipment on all other models.

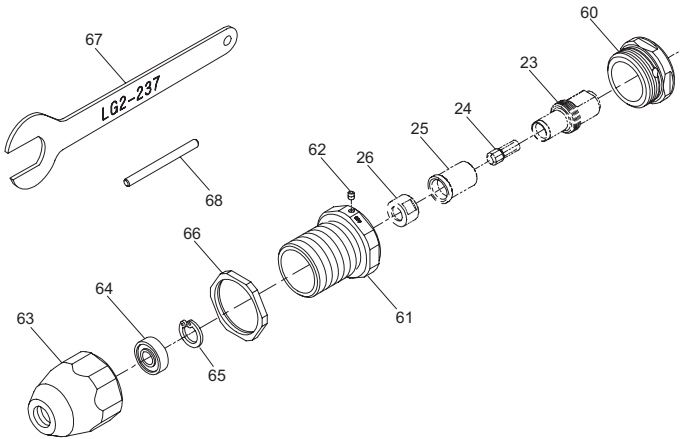
Item	Part Description	Part Number	Item	Part Description	Part Number
	Additional parts for all CD wheel models		*	Nameplate	
				for CD200 models ending in -EU	LG120-EU-301
34	Clamp Spacer	LG1-46H63		for all other CD200 models	LG120-301
35	Clamp Nut	LG1-28		for CD250 models ending in -EU	LG125-EU-301
36	Guard Adapter Assembly	LA1-A710		for all other CD250 models	LG125-301
37	Guard Adapter Screw	804-634		for CD300 models ending in -EU	LG130-EU-301
38	Wheel Guard	AG20-106-3		for all other CD300 models	LG130-301
39	Wheel Guard Mounting Screw (3)	LA1-667		for CD350 models ending in -EU	LG135-EU-301
40	Mounting Screw Washer (3)	R2-320		for all other CD350 models	LG135-301
41	Straight Wheel Adapter	LG1-4-H63		for CX200 models ending in -EU	LE120-EU-301
42	Wheel Flange	DEG31-16		for all other CX200 models	LE120-301
43	Flange Nut	23-697		for CX250 models ending in -EU	LE125-EU-301
44	Clamp Nut Wrench (1-3/16")	LA2-253		for all other CX250 models	LE125-301
	Accessories for all CD and CX models			for CX300 models ending in -EU	LE130-EU-301
				for all other CX300 models	LE130-301
†	Piped-Away Exhaust Kit	LG1-K284			
+ 45	Exhaust Hose Adapter	LG1-284			
+ 46	Exhaust Hose Retainer	LG1-67			
+ 47	Exhaust Hose	3RL-284			
*	Variable Speed Control	LG1-A1015			
*	Warning Label				
	for models ending in H63-EU	EU-63-99			
	for all other models ending in -EU	EU-99			
	for all other models	LG1-99			

* Not illustrated.

† When ordering a Piped-Away Exhaust Kit, make certain the wrench hex on the Inlet Assembly of your tool is threaded. If it is **NOT** threaded, order a new Inlet Assembly (Part No. LG1-A465A).

+ Standard equipment on models ending in M, MC or ML and ALL Front Exhaust models; optional equipment on all other models.

CD and CX Router Attachment Assembly Exploded Diagram



(Dwg.TPC612)

CD and CX Router Attachment Assembly Parts List

Item	Part Description	Part Number
	Router Attachment Assembly (for 1/4" diameter bits)	CD-RK4
60	Motor Clamp Nut	LG1R-27
61	Nosepiece Adapter	LG1R-124
62	Adapter Lock Screw	0E9-561
63	Nosepiece Assembly	LG2-A125-1
64	Nosepiece Bearing	TD200-127
65	Bearing Retaining Ring	RXA21-343
66	Locknut	R120-126
67	Locknut Wrench	LG2-237
68	Sprag Pin	244-302

Parts and Maintenance

When the life of the tool has expired, it is recommended that the tool be disassembled, degreased and parts be separated by material so that they can be recycled.

Tool repair and maintenance should only be carried out by an authorized Service Center. Refer all communications to the nearest **Ingersoll Rand** Office or Distributor.

Related Documentation

For additional information refer to:
 Product Safety Information Manual 04584959 and 04580288.
 Product Information Manual 16576282 and 16576308.
 Product Maintenance Information Manual 16575078.

Manuals can be downloaded from www.irtools.com.

www.irtools.com

© 2006 Ingersoll Rand Company



Free Manuals Download Website

<http://myh66.com>

<http://usermanuals.us>

<http://www.somanuals.com>

<http://www.4manuals.cc>

<http://www.manual-lib.com>

<http://www.404manual.com>

<http://www.luxmanual.com>

<http://aubethermostatmanual.com>

Golf course search by state

<http://golfingnear.com>

Email search by domain

<http://emailbydomain.com>

Auto manuals search

<http://auto.somanuals.com>

TV manuals search

<http://tv.somanuals.com>