



16574063

Edition 1

June 2006

Air Grinder and Die Grinders

TD, TX and TXD Series

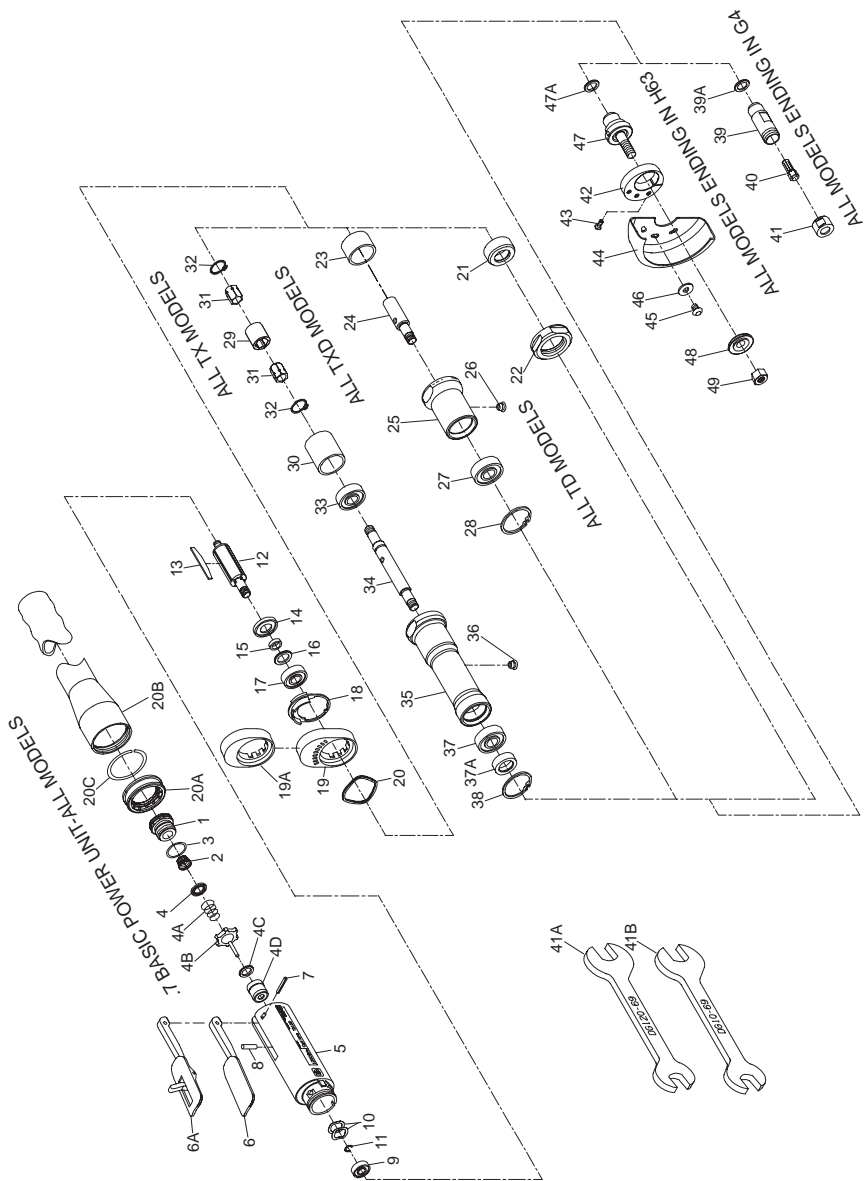
Parts Information



Save These Instructions



TD, TX and TXD Grinder and Die Grinder Exploded Diagram



(Dwg. TPA1291-3)

TD, TX and TXD Grinder and Die Grinder Parts List

Item	Part Description	Part Number	Item	Part Description	Part Number
	Common parts for ALL TD, TX and TXD Grinders		*	Warning Label	
				for models ending in H63-EU	EU-63-99
1	Inlet Assembly	LG2-A465		for all other models ending in -EU	EU-99
2	Inlet Screen	R1602-61		for all other models	LG2-99
* 3	Inlet Seal	R18LF-21	*	Nameplate	
4	Throttle Valve Spring Seat	LG3-592		for TD120 models ending in -EU	LG212-EU-301
4A	Throttle Valve Spring	7L-51		for all other TD120 models	LG212-301
4B	Throttle Valve	LG2-302		for TD180 models ending in -EU	LG218-EU-301
4C	Throttle Valve Seat	LG2-303		for all other TD180 models	LG218-301
4D	Throttle Valve Case	LG2-300A		for TD200 models ending in -EU	LG220-EU-301
5	Motor Housing	LG2-40		for all other TD200 models	LG220-301
6	Throttle Lever	LG2-273		for TD250 models ending in -EU	LG225-EU-301
6A	Locking Throttle Lever Assembly (for all models ending in L or C)	LG2-A400		for all other TD250 models	LG225-301
*	Lever Lock	LG1-402		for TX180 models ending in -EU	LE218-EU-301
*	Lock Spring	LG1-405		for all other TX180 models	LE218-301
*	Lock Pin	5UT-757		for TXD180 models ending in -EU	LED218-EU-301
7	Throttle Lever Pin	61H-120			
8	Throttle Valve Plunger	LG2-191		for all other TXD180 models	LED218-301
9	Rear Rotor Bearing	R120-127		for TX200 models	LE220-301
* 10	Rear Rotor Bearing Spacer (2)	400-25-191		for TX250 models ending in -EU	LE225-EU-301
* 11	Rear Rotor Bearing Retainer	LG1-118		for all other TX250 models	LE225-301
12	Rotor	LG2-53-4		Additional parts for all TD models	
* 13	Vane Packet (set of 4 Vanes)	DG21-42-4	21	Clamp Spacer	LG2-46
14	Front End Plate	LG2-11	22	Clamp Nut	LG2-27
15	Front End Plate Spacer	LG2-65		Additional parts for all extended TXD models	
16	Front Seal Cup Assembly	61H-A32			
17	Front Rotor Bearing	LG2-24	23	Clamp Sleeve	LE2-176
18	Flow Ring		24	Arbor	LE2-4
	for TD120 and TX120 (12000 rpm) (grey)	LG2-103-0	25	Arbor Housing	LE2-20
	for TD180, TX180 and TXD180 (18000 rpm) (brown)	LG2-103-1	26	Arbor Housing Plug	EG220-92
			27	Front Arbor Bearing	WFS182-22
			28	Arbor Bearing Retaining Ring	W22-118
	for TD200 and TX200 (20000 rpm) (khaki)	LG2-103-2		Additional parts for all TX models	
	for TD250 and TX250 (25000 rpm) (red)	LG2-103-3	29	Arbor Coupling	LE2-304
			30	Clamp Sleeve	LE2-276
			31	Arbor Bearing Nut (2)	LE2-85
19	High Profile Flange	LG2-23	32	Coupling Retaining Ring (2)	RX3-729
# 19A	Low Profile Concentric Flange (for all models ending in C)	LG3R-23	33	Rear Arbor Bearing	LE2-22
20	Flange Clamp	LG2-29	34	Arbor	LE2-4-5
+ 20A	Exhaust Hose Adapter	LG2-184	35	Arbor Housing	LE2-20-5
+ 20B	Exhaust Hose	3RL-284	36	Arbor Housing Plug	EG220-92
+ 20C	Hose Retainer	6WT-203	37	Front Arbor Bearing	WFS182-22
			37A	Arbor Bearing Shield (for models ending in G4)	LE2-200
			38	Arbor Bearing Retaining Ring	W22-118

Item	Part Description	Part Number	Item	Part Description	Part Number
	Parts common to all models ending in G4			Parts common to all models ending in H63	
39	Collet Body	LG2-290	42	Guard Adapter Assembly	LE2-A710
39A	Front Seal Cup	61H-32	43	Guard Adapter Screw	231-638
40	Collet		44	3" Wheel Guard	LE2-931
	for models ending in RT4 or -EU	G160HD-700-6mm	45	Wheel Guard Mounting Screw (3)	LE2-667
	for all other models	G160HD-700-1/4	46	Mounting Screw Washer (3)	L01-67
41	Collet Nut Assembly	DG120-699A	47	3" Straight Wheel Adapter	LE2-4-H63
41A	Collet Body Wrench	DG10-69	47A	Front Seal Cup	61H-32
41B	Collet Nut Wrench	DG120-69	48	3" Wheel Flange	DEG31-16
			49	Flange Nut	23-697
			Accessories		
			*	Bearing Inserting Tool (for TX and TXD models) (2 pieces)	LE2-950
			*	Cone Wheel Adapter (for TX models)	LE2-104-L6
			*	Exhaust Deflector Assembly	04353207

* Not illustrated.

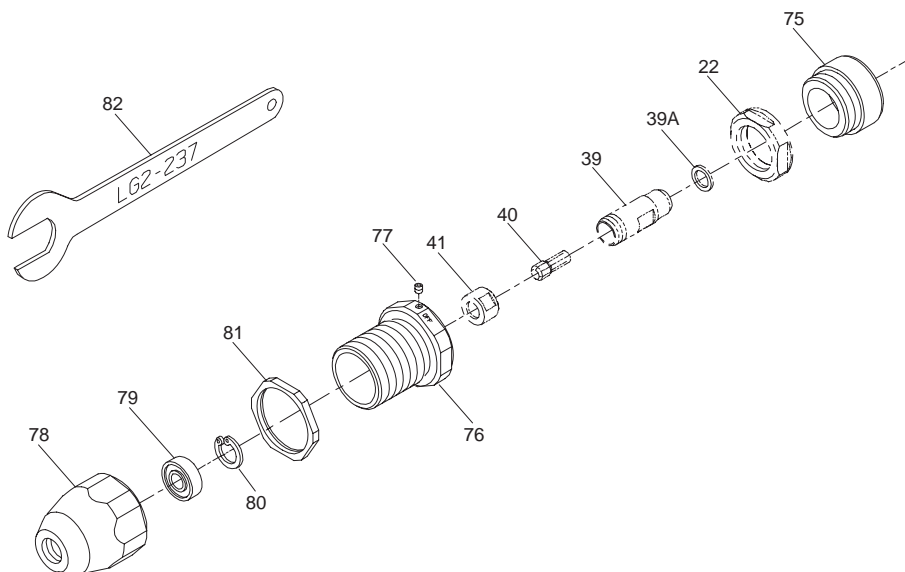
• To keep downtime to a minimum, it is desirable to have on hand certain repair parts. We recommend that you stock one (pair or set) of each part indicated by a bullet (•) for every four tools in service.

+ Standard equipment with all models ending in **M**, **MC** or **ML** and **ALL** Front Exhaust models; optional equipment on all other models.

 **WARNING**

Always install a Locking Throttle Lever Assembly (6A) on a tool with a Low Profile Concentric Flange (19A). Do not equip a tool with a standard non-locking Lever (6) and Low Profile Concentric Flange. This can allow the tool to continue to run if dropped or set down.

TD, TX and TXD Router Attachment Assembly Exploded Diagram



(Dwg. TPC542)

TD, TX and TXD Router Attachment Assembly Parts List

Item	Part Description	Part Number
	Router Attachment Assembly	
	for models using 1/4" diameter bits	TD-RK4
	for models using 3/8" diameter bits	TD-RK6
75	Clamp Spacer	LG2-19
76	Nosepiece Adapter	LG2-124
77	Adapter Lock Screw	0E9-561
78	Nosepiece Assembly	
	for models using 1/4" collet	LG2-A125
	for models using 3/8" collet	LG2- A125-3
79	Nosepiece Bearing	
	for LG2-A125-1	TD200-127
	for LG2-A125-3	G160-22
80	Bearing Retaining Ring	
	for LG2-A125-1	RXA21-343
	for LG2-A125-3	3RL-28
81	Lock Nut	R120-126
82	Lock Nut Wrench	LG2-237

Parts and Maintenance

When the life of the tool has expired, it is recommended that the tool be disassembled, degreased and parts be separated by material so that they can be recycled.

Tool repair and maintenance should only be carried out by an authorized Service Center.

Refer all communications to the nearest **Ingersoll Rand** Office or Distributor.

Related Documentation

For additional information refer to:

Air Grinder Safety Information Manual 04584959 and 04580288.

Air Grinder Product Information Manual 16576209, 16576217, 16576225 and 16576233.

Air Grinder Maintenance Information Manual 16575110.

Manuals can be downloaded from www.irtools.com.

Notes

www.irttools.com

© 2006 Ingersoll Rand Company



Free Manuals Download Website

<http://myh66.com>

<http://usermanuals.us>

<http://www.somanuals.com>

<http://www.4manuals.cc>

<http://www.manual-lib.com>

<http://www.404manual.com>

<http://www.luxmanual.com>

<http://aubethermostatmanual.com>

Golf course search by state

<http://golfingnear.com>

Email search by domain

<http://emailbydomain.com>

Auto manuals search

<http://auto.somanuals.com>

TV manuals search

<http://tv.somanuals.com>