

OPERATOR'S MANUAL

650385-X

SPECIFICATIONS, SERVICE KITS, GENERAL INFORMATION, TROUBLESHOOTING

INCLUDE MANUALS: 66302-X LOWER PUMP END (PN 97999-648) &
S-632 GENERAL INFORMATION MANUAL (PN 97999-624)

RELEASED: 1-5-96
REVISED: 6-7-10
(REV. B)

3-1/4" AIR MOTOR
17:1 RATIO
6" STROKE

650385-X4X TWO BALL PUMP SERIES 300 SERIES STAINLESS STEEL



**READ THIS MANUAL CAREFULLY BEFORE INSTALLING,
OPERATING OR SERVICING THIS EQUIPMENT.**

It is the responsibility of the employer to place this information in the hands of the operator. Keep for future reference.

SERVICE KITS

- Use only genuine ARO® replacement parts to assure compatible pressure rating and longest service life.
- **637041 for repair of Air Motor section.**
Service Note: The Air Motor Service/Parts Manual is not shipped with the pump but it is included with each Service Kit. If this Service/Parts Information is needed, request the Air Motor Operator's Manual from ARO. (Manual 6534X-X, PN 97999-028).
- **637307-X43 for repair of Lower Pump section.**
Refer to the chart on page 2 for description of -XXX options.

SPECIFICATIONS

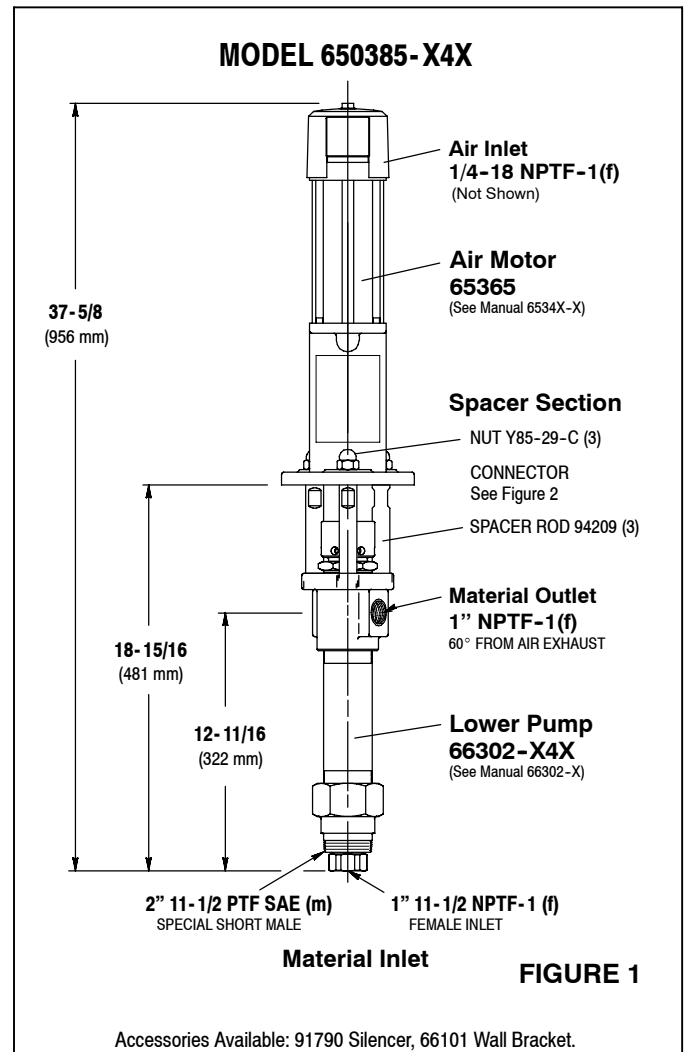
| | |
|---|--|
| Model Series (Refer to option chart) | 650385-X4X |
| Type | Air Operated, Two Ball |
| Ratio | 17:1 |
| Air Motor | 65365 |
| Motor Repair Kit | 637041 |
| Motor Diameter | 3-1/4" (8.3 cm) |
| Stroke | 6" |
| Air Inlet | 1/4" - 18 NPTF-1(f) |
| Air Exhaust | 1-1/4", 11-1/2 NPTF-1(f) |
| Lower Pump End Series | 66302-X4X |
| Lower Pump Repair Kit | 637307-X43 |
| Material Inlet | 1" 11-1/2 NPTF-1(f) & 2" 11-1/2 PTF (m) (SHORT) |
| Material Outlet | 1" 11-1/2 NPTF-1(f) |
| Weight | 35.5 Lbs (16.1 Kgs) |

PERFORMANCE

| | |
|--|-------------------------------|
| Air Inlet Pressure Range | 30 - 150 PSI (2 - 10.3 bar) |
| Fluid Pressure Range | 510 - 2550 PSI (35 - 176 bar) |
| Max. Rec'd Cycles / Minute | 60 |
| Displacement In³ Per Cycle | 5.5 |
| Volume/Cycle | 3 oz. (90 ml) |
| Cycles Per Gallon | 41.9 |
| Flow @ 60 Cycles / Minute | 1.3 GPM (4.92 lpm) |
| Noise Level @ 60 Psi - 40 Cpm | 74.8 db(A) * |

* The pump sound pressure level has been updated to an Equivalent Continuous Sound Level (L_{Aeq}) to meet the intent of ANSI S1. 13-1971, CAGI-PNEUROP S5.1 using four microphone locations.

PUMP DATA



IMPORTANT

This is one of the four documents which support the pump. Replacement copies of these forms are available upon request.

- 650385-X MODEL OPERATOR'S MANUAL
- GENERAL INFORMATION - INDUSTRIAL PISTON PUMPS
- 66302-X LOWER PUMP END OPERATOR'S MANUAL
- 6534X-X AIR MOTOR OPERATOR'S MANUAL

INGERSOLL RAND COMPANY LTD

209 NORTH MAIN STREET - BRYAN, OHIO 43506

☎ (800) 495-0276 • FAX(800) 892-6276

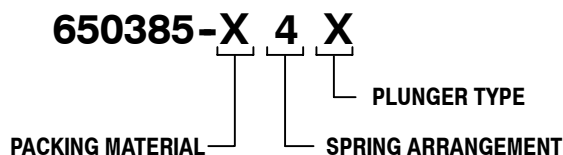
www.ingersollrandproducts.com

© 2010

ARO

IR Ingersoll Rand
Industrial Technologies

PUMP OPTION DESCRIPTION CHART



PACKING MATERIAL

- 3 GLASS FILLED PTFE
- C UHMW-PE
- G UHMW-PE/LEATHER STAG'D

(PACKINGS ARE UPPER AND LOWER UNLESS NOTED)

- P UHMW-PE/PTFE STAG'D (UPPER)
- UHMW-PE (LOWER)
- R PTFE/UHMW-PE STAG'D (UPPER)
- PTFE (LOWER)

SPRING ARRANGEMENT

- 4 MULTIPLE WAVE SPRING

PLUNGER TYPE

- 3 HD SS W/HD CHROME PLATING
- B HD SS W/CERAMIC COATING

GENERAL DESCRIPTION

⚠ WARNING HAZARDOUS PRESSURE. Do not exceed maximum operating pressure of 2550 psi (176 bar) at 150 psi (10.3 bar) inlet air pressure.

$$\text{PUMP RATIO } X \times \text{INLET PRESSURE TO PUMP MOTOR} = \text{MAXIMUM PUMP FLUID PRESSURE}$$

Pump ratio is an expression of the relationship between the pump motor area and the lower pump end area. EXAMPLE: When 150 p.s.i. (10.3 bar) inlet pressure is supplied to the motor of a 6:1 ratio pump it will develop a maximum of 750 p.s.i. (52 bar) fluid pressure (at no flow) - as the fluid control is opened, the flow rate will increase as the motor cycle rate increases to keep up with the demand.

⚠ WARNING Refer to general information sheet for additional safety precautions and important information.

- The Two-Ball pumps are primarily designed for the pumping of medium viscosity fluids, Stainless Steel construction offers compatibility with a wide range of fluids. The two-ball design provides better priming of the lower foot valve. The double acting feature is standard in all ARO industrial pumps, material is delivered to the pump discharge outlet on both the up and down stroke.
- The motor is connected to the lower pump end by a spacer section. This allows for lubrication of the upper packing gland and prevents motor contamination because of normal wear and eventual leakage through the material packing gland. Be sure the solvent cup is adequately filled with lubricant to protect the upper packings and insure longest service life.

TROUBLE SHOOTING

Pump problems can occur in either the Air Motor Section or the Lower Pump End Section, use these basic guidelines to help determine which section is affected.

If the pump will not cycle.

- Be certain to first check for non-pump problems including kinked, restrictive or plugged inlet/outlet hose or dispensing device. Depressurize the pump system and clean out any obstructions in the inlet/outlet material lines.
- Refer to the motor manual for trouble shooting if the pump does not cycle and/or air leaks from the air motor.

If the pump cycles but does not deliver material.

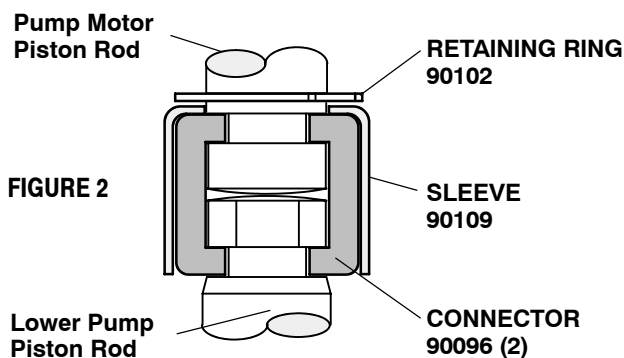
- Refer to the lower pump end manual for further trouble shooting.

PUMP CONNECTION - UPPER / LOWER

NOTE: All threads are right hand.

1. Lay the pump assembly on a workbench.
2. Remove the three nuts from the three spacer rods. (Fig. 1)
3. Pull the air motor from the lower pump end until motor piston rod is in the "down" position and lower pump end rod is in "up" position.
4. Using e-ring pliers, slide the retaining ring up far enough to allow the sleeve to move upward and release the two connectors. (Fig. 2)

PUMP CONNECTOR DETAIL



REASSEMBLY

1. Align the pump motor with the lower pump end.
2. Install the two connectors and retain with the sleeve, slide the retaining ring back into position.
3. Reinstall the spacer rods to the pump motor.
4. Bring the motor and lower pump together and retain with the three nuts.

Free Manuals Download Website

<http://myh66.com>

<http://usermanuals.us>

<http://www.somanuals.com>

<http://www.4manuals.cc>

<http://www.manual-lib.com>

<http://www.404manual.com>

<http://www.luxmanual.com>

<http://aubethermostatmanual.com>

Golf course search by state

<http://golfingnear.com>

Email search by domain

<http://emailbydomain.com>

Auto manuals search

<http://auto.somanuals.com>

TV manuals search

<http://tv.somanuals.com>