

**INCLUDING: SPECIFICATIONS, SERVICE KITS, GENERAL INFORMATION, TROUBLESHOOTING.**  
 INCLUDE MANUALS: 6564X-X Air Motor (pn 97999-174), 66301-XXX Lower Pump End (pn 97999-647) & S-632  
 General Information Manual (pn 97999-624).

**RELEASED:** 1-5-96  
**REVISED:** 6-1-10  
**(REV. E)**

**6" AIR MOTOR**  
**45:1 RATIO**  
**6" STROKE**

## 650684-XXX

### TWO-BALL PUMP SERIES

#### 300 Series Stainless Steel



**READ THIS MANUAL CAREFULLY BEFORE INSTALLING,  
 OPERATING OR SERVICING THIS EQUIPMENT.**

It is the responsibility of the employer to place this information in the hands of the operator. Keep for future reference.

### SERVICE KITS

- Use only genuine ARO® replacement parts to assure compatible pressure rating and longest service life.
- **61355** for repair of air motor section.
- **637306-X43** for repair of lower pump end. Refer to the chart on page 2 for description of -X43 options.

### SPECIFICATIONS

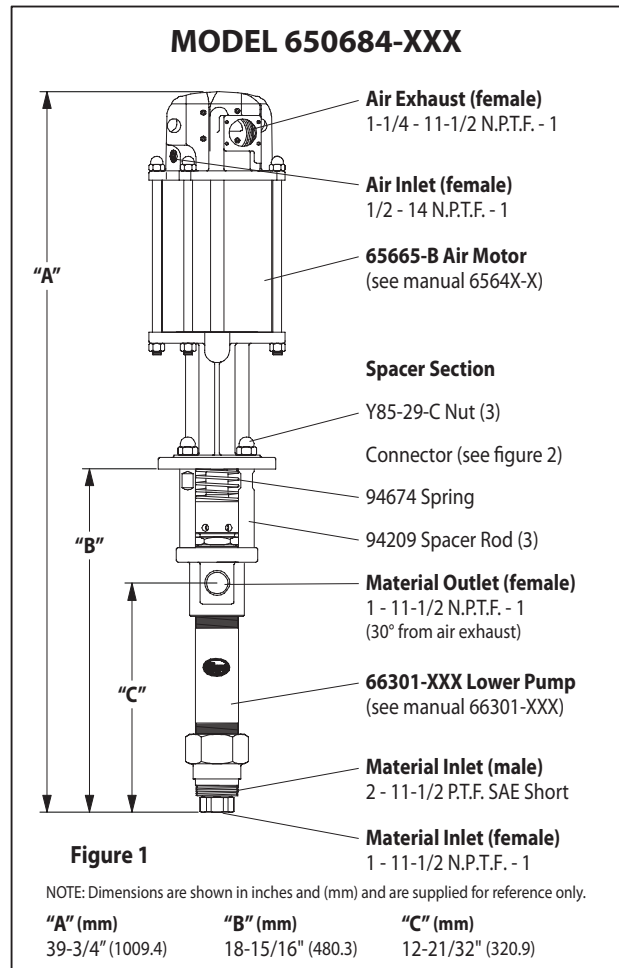
<b>Model Series</b> (refer to option chart) .....	650684-XXX
<b>Pump Type</b> .....	Air Operated, Two-Ball Double Acting Pump
<b>Ratio</b> .....	45:1
<b>Air Motor</b> .....	65665-B
<b>Motor Repair Kit</b> .....	61355
<b>Motor Diameter</b> .....	6" (15.2 cm)
<b>Stroke (double acting)</b> .....	6" (15.2 cm)
<b>Air Inlet (female)</b> .....	1/2 - 14 N.P.T.F. - 1
<b>Air Exhaust (female)</b> .....	1-1/4 - 11-1/2 N.P.T.F. - 1
<b>Lower Pump End Series</b> .....	66301-XXX
<b>Lower Pump Repair Kit</b> .....	637306-X43
<b>Material Inlet (female)</b> .....	1 - 11-1/2 N.P.T.F. - 1
(male) .....	2 - 11-1/2 P.T.F. SAE short
<b>Material Outlet (female)</b> .....	1 - 11-1/2 N.P.T.F. - 1
<b>Weight</b> .....	46.2 lbs (21.0 kgs)

### PUMP PERFORMANCE

<b>Air Inlet Pressure Range</b> .....	30 - 120 p.s.i.g. (2.1 - 8.3 bar)
<b>Fluid Pressure Range</b> .....	1350 - 5459 p.s.i.g. (93.1 - 376.5 bar)
<b>Maximum Rec'd Cycles / Minute</b> .....	60
<b>Displacement In.<sup>3</sup> Per Cycle</b> .....	7.5
<b>Volume / Cycle</b> .....	4.1 oz. (121 ml)
<b>Cycles Per Gallon</b> .....	30.9
<b>Flow @ 60 Cycles / Minute</b> .....	1.9 g.p.m. (7.2 l.p.m.)
<b>Noise Level @ 60 p.s.i. - 40 c.p.m.</b> ① .....	84.8 db(A)②
<b>Accessories Available</b> .....	66101 Wall Mount Bracket 91790 Silencer

- ① Tested with 91790 silencer installed.  
 ② The pump sound pressure level has been updated to an Equivalent Continuous Sound Level (LAeq) to meet the intent of ANSI S1.13-1971, CAGI-PNEUROP S5.1 using four microphone locations.

### PUMP DATA

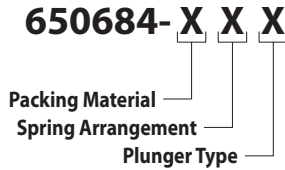


### IMPORTANT

**This is one of four documents which support the pump. Replacement copies of these forms are available upon request.**

- 650684-XXX** Model Operator's Manual (pn 97999-656)
- S-632** General Information - Industrial Piston Pumps (pn 97999-624)
- 66301-XXX** Lower Pump End Operator's Manual (pn 97999-647)
- 6564X-X** Air Motor Operator's Manual (pn 97999-174)

## PUMP OPTION DESCRIPTION CHART



**PACKING MATERIAL** (Packings are upper and lower unless noted)

3 - Glass filled PTFE	P - UHMW-PE / Glass filled PTFE staggered (upper)
C - UHMW-PE	UHMW-PE (lower)
G - UHMW-PE / Leather staggered	R - Glass filled PTFE / UHMW-PE staggered (upper)
	Glass filled PTFE (lower)

<b>SPRING ARRANGEMENT</b>	<b>PLUNGER TYPE</b>
4 - Multiple wave spring with stainless steel balls	3 - Hard stainless steel with hard chrome plating
7 - Multiple wave spring with alternate balls (hard stainless steel)	B - Hard stainless steel with ceramic coating

### GENERAL DESCRIPTION

The two-ball pumps are primarily designed for the pumping of medium viscosity fluids. Stainless steel construction offers compatibility with a wide range of fluids. The two-ball design provides better priming of the lower foot valve. The double acting feature is standard in all ARO industrial pumps. Material is delivered to the pump discharge outlet on both the up and down stroke. The motor is connected to the lower pump end by a spacer section. This allows for lubrication of the upper packing gland and prevents motor contamination because of normal wear and eventual leakage through the material packing gland. Be sure the solvent cup is adequately filled with lubricant to protect the upper packings and insure longest service life.

**⚠ WARNING HAZARDOUS PRESSURE. Do not exceed maximum operating pressure of 5459 p.s.i. (376.5 bar) at 120 p.s.i. (8.3 bar) inlet air pressure.**

<b>Pump Ratio X</b> <b>Inlet Pressure to Pump Motor</b>	<b>=</b>	<b>Maximum Pump Fluid Pressure</b>
<small>Pump ratio is an expression of the relationship between the pump motor area and the lower pump end area. EXAMPLE: When 150 p.s.i. (10.3 bar) inlet pressure is supplied to the motor of a 4:1 ratio pump, it will develop a maximum of 600 p.s.i. (41.4 bar) fluid pressure (at no flow) - as the fluid control is opened, the flow rate will increase as the motor cycle rate increases to keep up with the demand.</small>		

**⚠ WARNING Refer to general information sheet for additional safety precautions and important information.**

NOTICE: Thermal expansion can occur when the fluid in the material lines is exposed to elevated temperatures. Example: Material lines located in a non-insulated roof area can warm due to sunlight. Install a pressure relief valve in the pumping system.

**Replacement warning label (pn 92325) is available upon request.**

### TROUBLE SHOOTING

Pump problems can occur in either the air motor section or the lower pump end section. Use these basic guidelines to help determine which section is affected.

**Pump will not cycle.**

- Be certain to first check for non-pump problems including kinked, restrictive or plugged inlet / outlet hose or dispensing device. Depressurize the pump system and clean out any obstructions in the inlet / outlet material lines.
- Refer to the motor manual for trouble shooting if the pump does not cycle and / or air leaks from the air motor.
- Damaged motor. Service the motor.

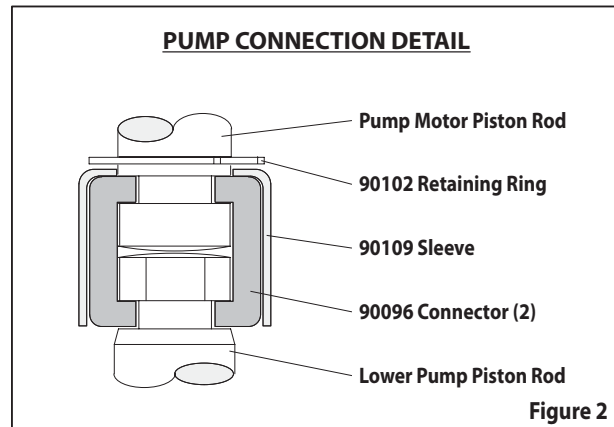
**Pump cycles but does not deliver material.**

- Refer to the lower pump end manual for further trouble shooting.

### PUMP CONNECTION - UPPER / LOWER

**NOTE: All threads are right hand.**

1. Lay the pump assembly on a work bench.
2. Remove the three (Y85-29-C) nuts from the three spacer rods (see figure 1).
3. Pull the air motor from the lower pump end until the motor piston rod is in the "down" position and the lower pump end rod is in the "up" position.
4. Using e-ring pliers, slide the retaining ring up far enough to allow the sleeve to move upward and release the two connectors (see figure 2).



#### REASSEMBLY

1. Align the pump motor with the lower pump end. Position the air inlet of the motor 59° from the material outlet.
2. Install the two (90096) connectors and retain with the (90109) sleeve. Slide the (90102) retaining ring back into position.
3. Reinstall the spacer rods to the pump motor.
4. Bring the motor and lower pump together and retain with three (Y85-29-C) nuts.

## Free Manuals Download Website

<http://myh66.com>

<http://usermanuals.us>

<http://www.somanuals.com>

<http://www.4manuals.cc>

<http://www.manual-lib.com>

<http://www.404manual.com>

<http://www.luxmanual.com>

<http://aubethermostatmanual.com>

Golf course search by state

<http://golfingnear.com>

Email search by domain

<http://emailbydomain.com>

Auto manuals search

<http://auto.somanuals.com>

TV manuals search

<http://tv.somanuals.com>