

SPECIAL 1-1/2" DIAPHRAGM PUMPS

650751 – (BSP THREADS WITH VITON DIAPHRAGMS)

650751-1 – (BSP THREADS WITH TEFLON / SANTOPRENE DIAPHRAGMS)

650751-2 – (N.P.T.F. THREADS WITH TEFLON / SANTOPRENE DIAPHRAGMS)

GENERAL DESCRIPTION

Models 650751-X are similar to standard models in the 1-1/2" Metallic Diaphragm Pump family. A 66615X-X-C Operator's Manual should be used for General Information, Installation, Operation and Maintenance. These special pumps have Aluminum center bodies, Stainless Steel manifolds and fluid caps, Stainless Steel seats and Teflon balls. Refer to the views for the substituted parts.

650751 is similar to model 666171-243-C.

650751-1 is similar to model 666171-244-C.

650751-2 is similar to model 666151-244-C.

SERVICE KITS

650751 ☆ 65764 - Air Valve Section, 65766 - Fluid Section

650751-1 ☆ 65010 - Air Valve Section, 65705 - Fluid Section

650751-2 ☆ 637380 - Air Valve Section, 637381 - Fluid Section

Refer to the Operator's Manual for Disassembly and Reassembly information.

☆ Kit Note: Some parts included in these kits are used on 1" diaphragm pumps and would not be required to service this model.

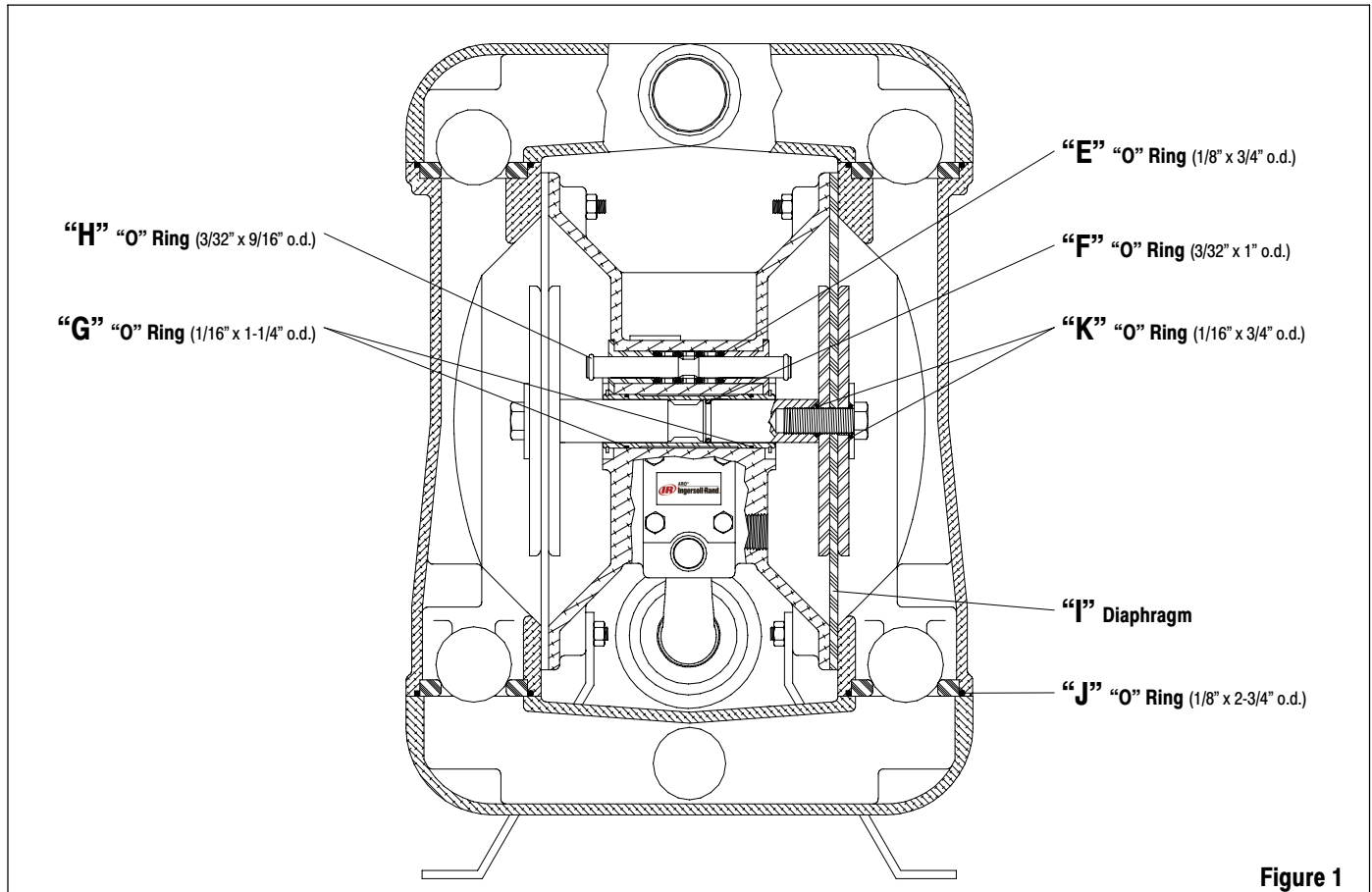


Figure 1

PARTS LIST FOR SPECIAL PUMP MODELS

MODEL	A (6)	B (5)	C	D	E (4)	F	G (2)	H (2)	I (2)	J (4)	K (4)	L
650751	Y327-126	Y327-214	93871-1	93870-1	Y329-206	Y329-117	Y327-24	Y327-110	92755-3	Y327-230	Y327-16	Y247-51
650751-1	93876	93878	93871	93870	93075	93875	93873	93874	94617 94616	Y220-230	Y328-16	Y184-51
650751-2	Y327-126	Y327-214	93871-1	93870-1	Y329-206	Y329-117	Y327-24	94820	94617 94616	Y220-230	Y328-16	Y247-51

650751-X SPECIAL DIAPHRAGM PUMP

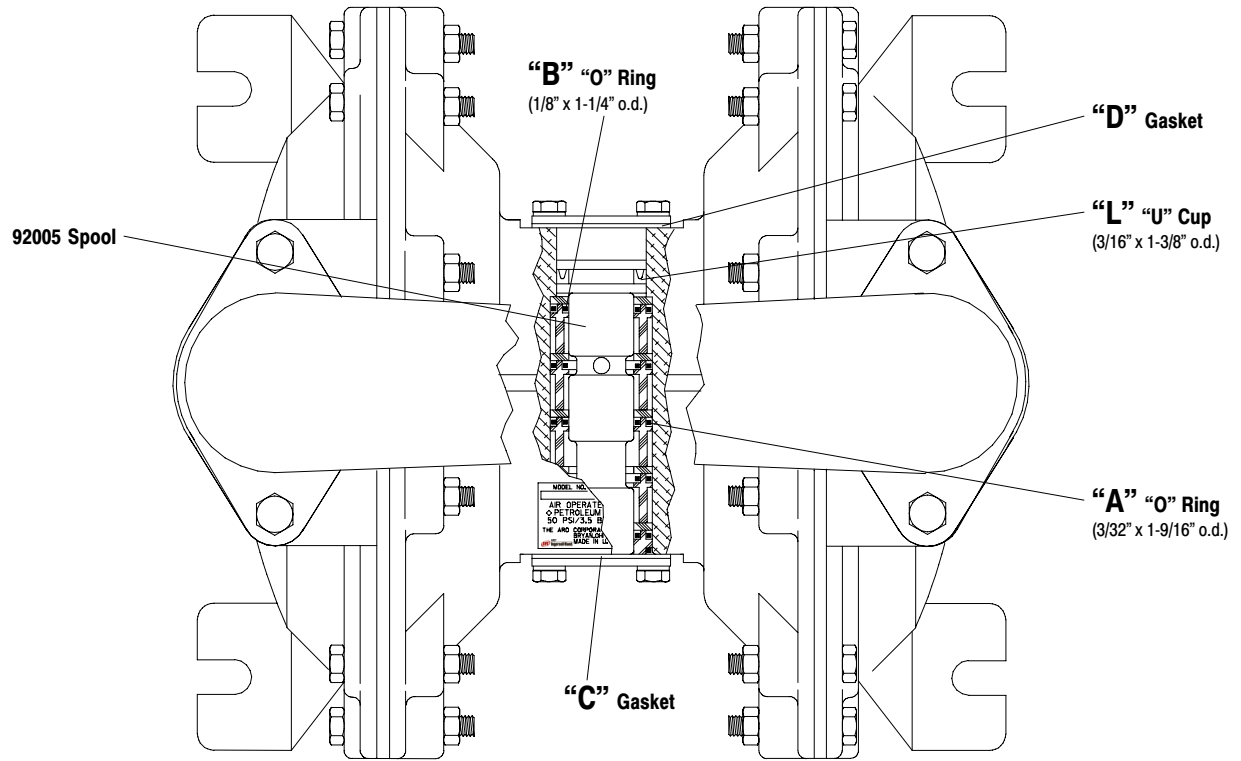


Figure 2

Free Manuals Download Website

<http://myh66.com>

<http://usermanuals.us>

<http://www.somanuals.com>

<http://www.4manuals.cc>

<http://www.manual-lib.com>

<http://www.404manual.com>

<http://www.luxmanual.com>

<http://aubethermostatmanual.com>

Golf course search by state

<http://golfingnear.com>

Email search by domain

<http://emailbydomain.com>

Auto manuals search

<http://auto.somanuals.com>

TV manuals search

<http://tv.somanuals.com>