

# OPERATOR'S MANUAL

# LP3007-X

INCLUDING: SPECIFICATIONS, SERVICE KITS, PLACING INTO SERVICE, TROUBLESHOOTING  
INCLUDE MANUALS: LM2350E-X-B (97999-825), S-633 GENERAL INFORMATION (97999-625), 636111 CONTROL HAN-  
DLE (97999-16), 636077 "Z" SWIVEL (97999-42)

RELEASED: 1-26-98  
REVISED: 8-22-03  
(REV. B)



## LP3007-1 CART MOUNTED GREASE PUMP SYSTEM

### SERVICE KITS

- Use only genuine ARO® replacement parts to assure compatible pressure rating and longest service life.
- **637227-B Pump Rebuild Kit.** Includes the necessary soft parts for normal service of the entire pump.

### SPECIFICATIONS

Model Series	LP3007-1
Type	Air Operated, 60 lb. Grease Pump System
Ratio	50:1
Air Motor Diameter	3" (7.62 cm)
Stroke (Single acting)	3" (7.62 cm)
Air Inlet (female)	1/4 - 18 N.P.T.F. - 1
Material Outlet (female)	3/8 - 18 N.P.T.F. - 1
Pump Construction	Carbon Steel
Dimensional Data	see page 2
Weight	51.5 lbs. (23.4 kg)

### PERFORMANCE

Air Inlet Pressure Range	0 - 150 p.s.i. (0 - 10.3 bar)
Fluid Pressure Range	0 - 7500 p.s.i. (0 - 517.2 bar)
Displacement In <sup>3</sup> Per Cycle	0.875
Cycles Per Lb.	30
Maximum Delivery / Min.	7.5 lbs (3.4 kg)
Noise Level @ 100 p.s.i.	85 db(A)

### GENERAL DESCRIPTION

LP3007-1 Portable Lubrication System. Includes the 50:1 pump, drum cover assembly, hose, control handle and two wheel container.

#### IMPORTANT

This is one of five documents which support the pump system. Replacement copies of these forms are available upon request.

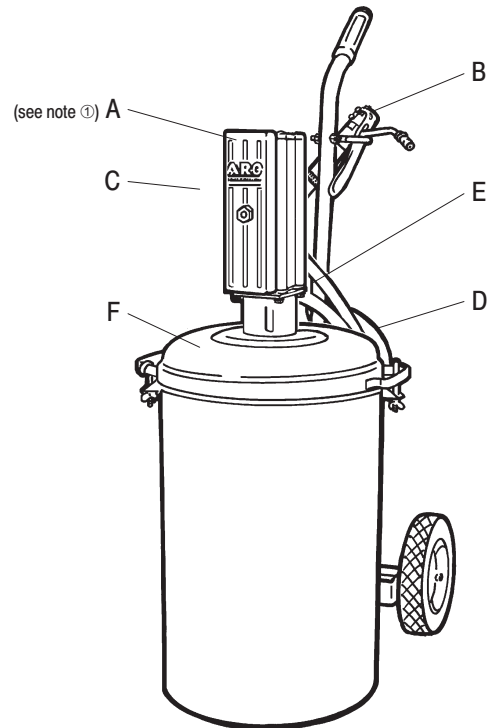
- LP3007-1 SYSTEM OPERATOR'S MANUAL
- LM2350E-X-B PUMP OPERATOR'S MANUAL
- S-633 GENERAL INFORMATION LUBRICATION SYSTEMS
- 636111 CONTROL HANDLE MANUAL
- 636077 "Z" SWIVEL MANUAL

### OPERATING AND SAFETY PRECAUTIONS

**⚠ WARNING** READ THE GENERAL INFORMATION MANUAL INCLUDED FOR OPERATING AND SAFETY PRECAUTIONS AND OTHER IMPORTANT INFORMATION.

### PUMP DATA

#### LP3007-1 GREASE PUMP SYSTEM



#### MAJOR COMPONENTS

Item	Description (size in inches)	Qty	Part No.
A	Basic 50:1 Grease Pump	(1)	LM2350E-61-B
B	Control Handle	(1)	636111
C	"Z" Swivel (not shown)	(1)	636077
D	1/4" I.D. Hose (1/8 - 27 N.P.T.F. x 6')	(1)	624201-6
E	Adapter (1/8 - 27 x 3/8 - 18 N.P.T.F.) ②	(1)	76493
F	Cover Assembly	(1)	62050

① Pump is rotated 180° to show air inlet.

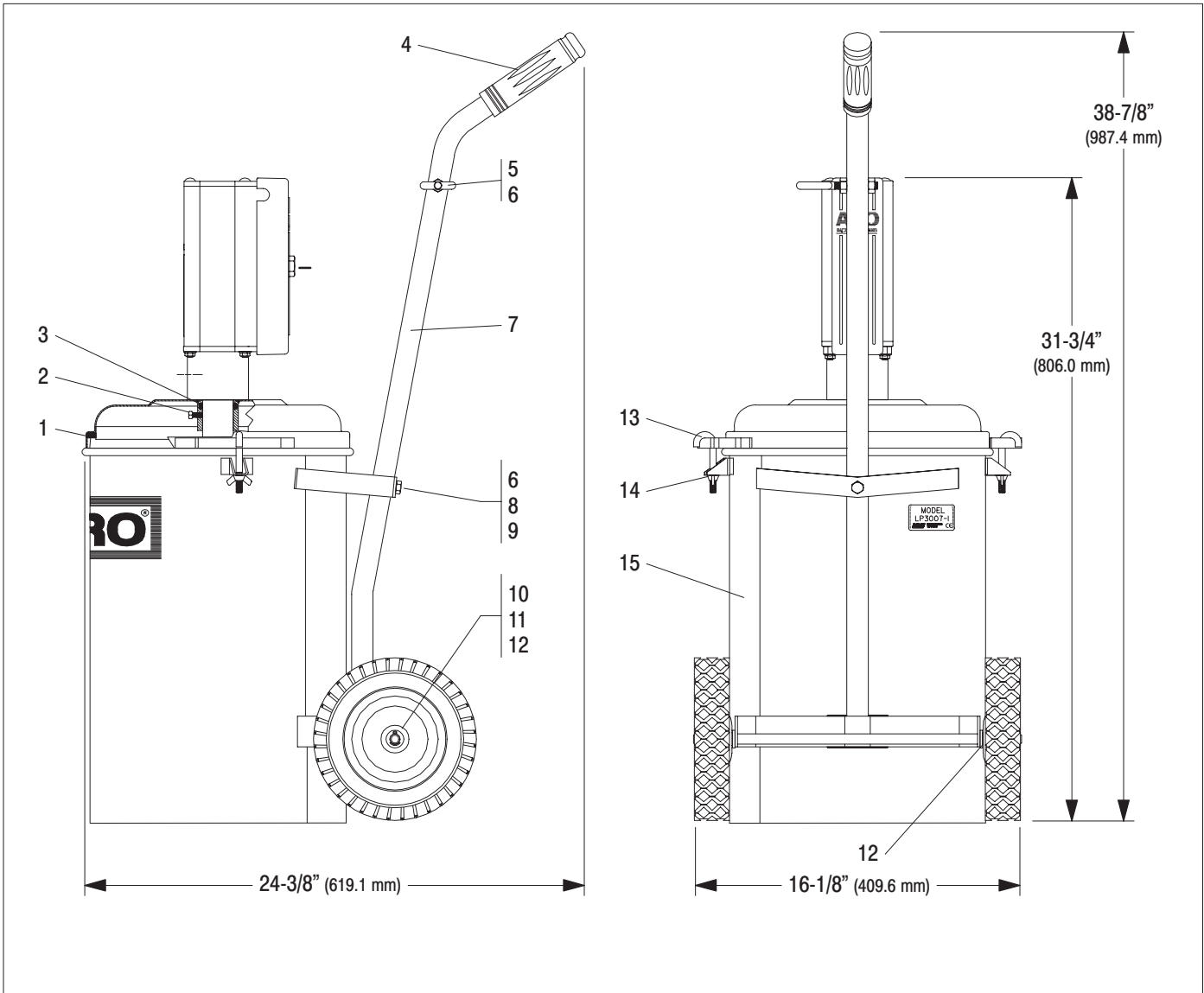
② Attaches pump outlet to hose.

## PARTS LIST

Item	Description (size in inches)	Qty	Part No.	[Mtl]
1	Gasket	(1)	4087	[R]
2	Screw (1/4" - 20 x 3/4")	(1)	Y10-403-Z	[C]
3	"O" Ring (3/16" x 1-7/8" o.d.)	(1)	Y325-325	[B]
4	Grip	(1)	71747-1	[R]
5	Eye Bolt	(1)	94543	[C]
6	Nut (3/8" x 16)	(5)	Y12-6-C	[C]
7	Tube	(1)	71746	[C]
8	Lock Washer (3/8")	(1)	Y1-616-C	[C]
9	Screw (3/8" - 16 x 1-1/2")	(1)	Y6-67-C	[C]

Item	Description (size in inches)	Qty	Part No.	[Mtl]
10	Wheel	(2)	71045-1	[C/R]
11	Cotter Pin (1/8" x 1")	(2)	Y15-43	[C]
12	Spacer	(4)	77750	[C]
13	Hook	(2)	71257-1	[C]
14	Wing Nut (5/16" - 18)	(2)	Y89-9-C	[C]
15	Frame / Container Assembly	(1)	71740-1	[C]

MATERIAL CODE: [C] = Carbon Steel, [R] = Rubber, [SS] = Stainless Steel, [V] = Vinyl



## Free Manuals Download Website

<http://myh66.com>

<http://usermanuals.us>

<http://www.somanuals.com>

<http://www.4manuals.cc>

<http://www.manual-lib.com>

<http://www.404manual.com>

<http://www.luxmanual.com>

<http://aubethermostatmanual.com>

Golf course search by state

<http://golfingnear.com>

Email search by domain

<http://emailbydomain.com>

Auto manuals search

<http://auto.somanuals.com>

TV manuals search

<http://tv.somanuals.com>