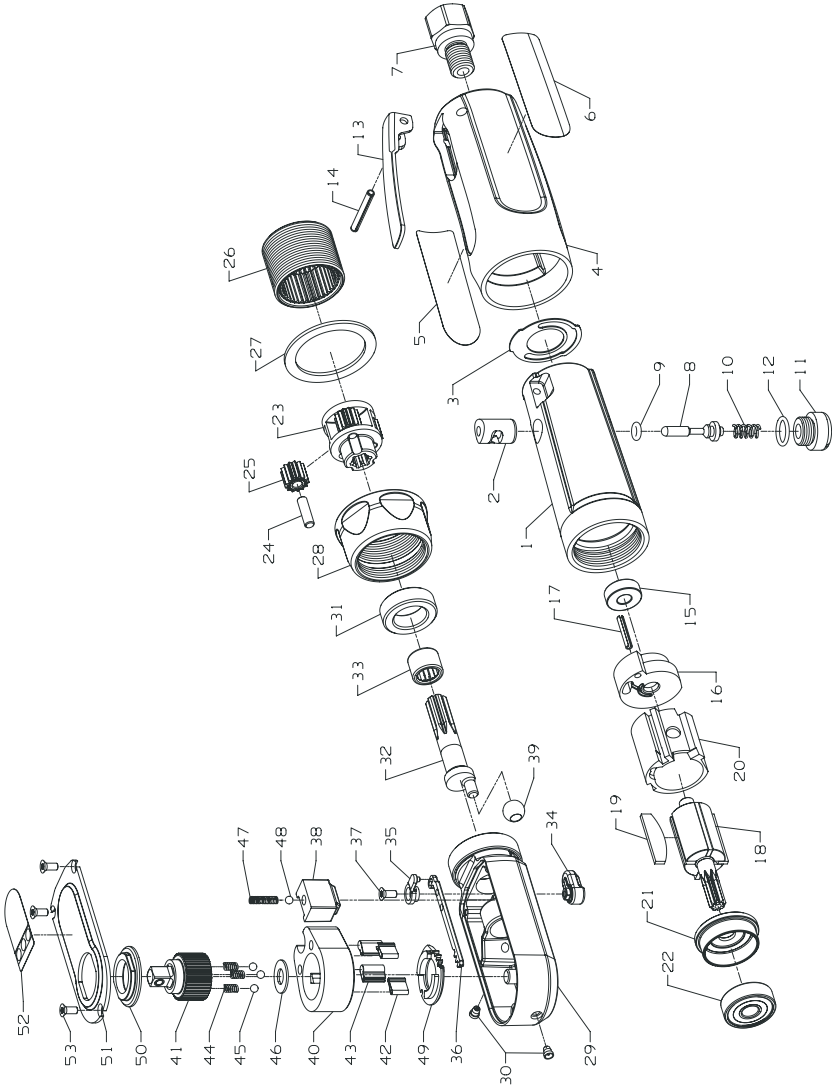


1215Ti and 1225Ti Air Ratchet Wrench Exploded Diagram



(Dwg. 10568152)

1215Ti and 1225Ti Air Ratchet Wrench Parts List

Item	Part Description	Part Number	Item	Part Description	Part Number
	Housing Assembly	1215-A40		Ratchet Head Kit *	
1	Housing	---		for 1215Ti	1215-TRK1
2	Valve Bushing	---		for 1225Ti	1225-TRK1
3	Exhaust Gasket	---	39	Drive Bushing	1215-330
	Composite Housing Assembly	1215-A747	40	Ratchet Yoke	1215-37
4	Composite Housing	---	41	Anvil Assembly	
5	Nameplate	1215-301		for 1215Ti	1215-D44
6	Information Label			for 1225Ti	1225-D44
	for 1215Ti	1215-300		Pawl Kit *	1215-K43
	for 1225Ti	1225-300	42	Leaf Spring (2)	---
7	Inlet Bushing Assembly	103A-A565	43	Pawl (2)	---
	Throttle Kit	1215-VK		Spring Kit *	1215-SK
8	Throttle Valve	---	44	Friction Spring (3)	---
9	Throttle Valve O-Ring	---	45	Friction Ball (3)	---
10	Throttle Valve Spring	---	46	Washer	---
11	Valve Plug	---	47	Detent Spring	---
12	Valve Plug O-Ring	---	48	Detent Ball	---
	Trigger Lever Kit	1215-LK	49	Reverse Cam	1215-721
13	Trigger Lever	---	50	Anvil Bushing	1215-941
14	Trigger Lever Pin	---		Cover Assembly	1215-A144
	Motor Assembly	1215-MK	51	Cover	---
15	Rear Rotor Bearing	---	52	Warning Label	WARNING-31-99
16	Rear End Plate	---	53	Screw (3)	1215-78
17	Motor Alignment Pin	---		Air Care Kit	170-LBK1
18	Rotor	---		Grease Gun	GTH-1
19	Vanes (set of 4)	301-42-4		Oil - IR #10 - for Motor	10Z4
20	Cylinder	---		Grease - IR #170 - for Ratchet Head	170-4T
21	Front End Plate	---		Grease	
22	Front Rotor Bearing	---		IR #67 (1 lb. can) for Gearing	67-1 LB
	Gearing Kit	1215-GK		IR #67 (8 lb. can) for Gearing	67 8 LB
23	Spindle	---		IR #170 (1 lb. can) for Ratchet Head	170-1LB
24	Planet Gear Shaft (3)	---		IR #170 (8 lb. can) for Ratchet Head	170-8LB
25	Planet Gear (3)	---		Spline Wrench (for removal of item 26)	1215-SW
26	Internal Gear	---		Crankshaft Tool	
27	Ring	1215-36		(for assembly of items 32 and 33)	1215-T35
28	Coupling Nut	1215-27			
	Ratchet Housing Assembly	1215-A322			
29	Ratchet Housing	---			
30	Grease Fitting (2)	D0F9-879			
31	Bushing	---			
	Crankshaft Kit *	1215-K35			
32	Crankshaft	---			
33	Needle Bearing	---			
	Shift Lever Kit *	1215-K658			
34	Shift Lever	---			
35	Reverse Arm	---			
36	Reverse Link	---			
37	Screw	---			
38	Guide	1215-128			

* Includes three replacement screws (item 53)

Parts and Maintenance

When the life of the tool has expired, it is recommended that the tool be disassembled, degreased and parts be separated by material so that they can be recycled.

Tool repair and maintenance should only be carried out by an authorized Service Center.
Refer all communications to the nearest **Ingersoll Rand** Office or Distributor.

Related Documentation

For additional information refer to:
Air Ratchet Wrench Product Safety Information Manual 04580361.
Air Ratchet Wrench Product Information Manual 04581708.

Manuals can be downloaded from www.irtools.com.



www.irtools.com

© 2006 **Ingersoll Rand Company**

04581716

Edition 3

June 2006

Download from Www.Somanuals.com. All Manuals Search And Download.

Free Manuals Download Website

<http://myh66.com>

<http://usermanuals.us>

<http://www.somanuals.com>

<http://www.4manuals.cc>

<http://www.manual-lib.com>

<http://www.404manual.com>

<http://www.luxmanual.com>

<http://aubethermostatmanual.com>

Golf course search by state

<http://golfingnear.com>

Email search by domain

<http://emailbydomain.com>

Auto manuals search

<http://auto.somanuals.com>

TV manuals search

<http://tv.somanuals.com>