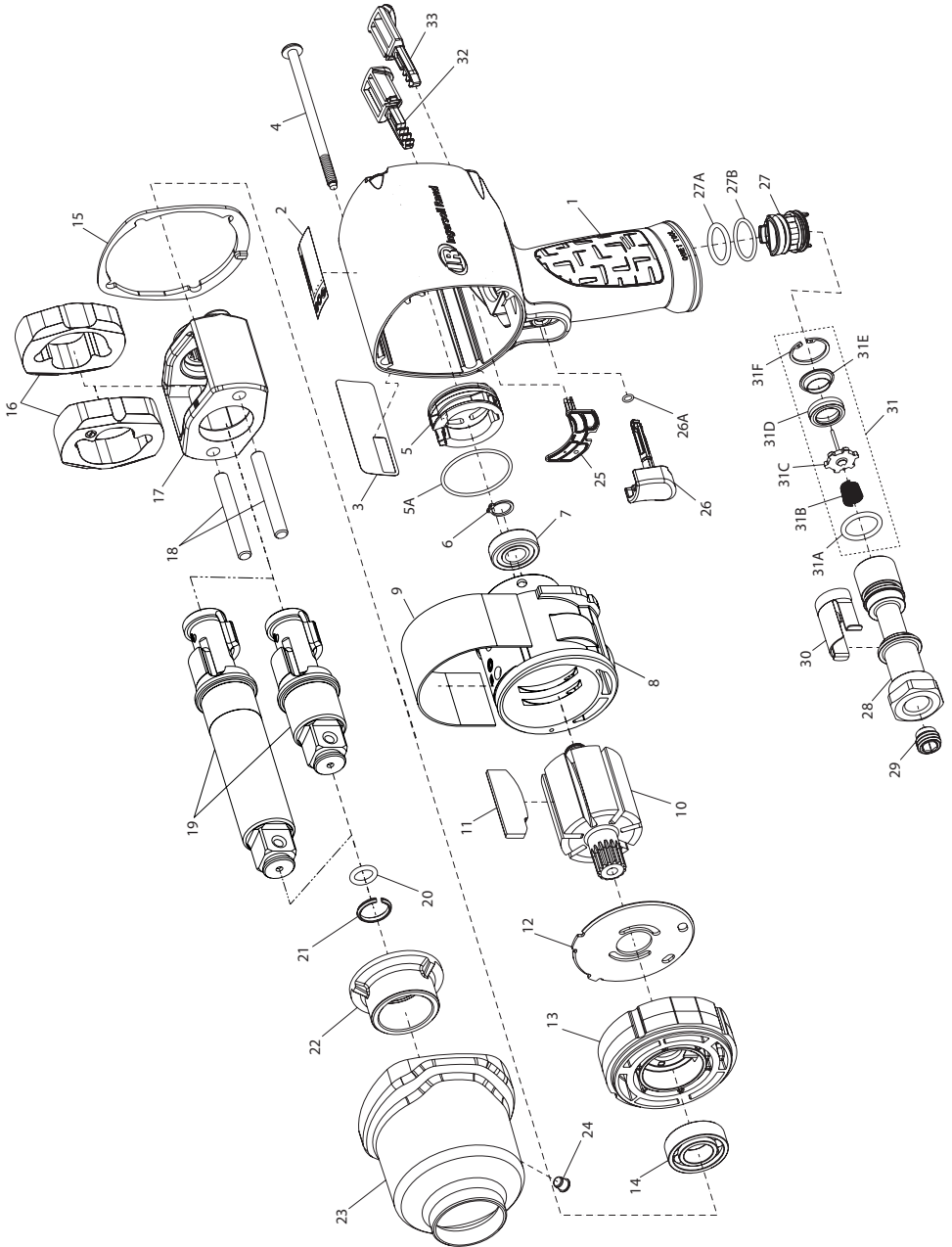


2145QiMAX and 2155QiMAX Series Air Impactool™ - Exploded View



(Dwg. 47106281)

2145QiMAX and 2155QiMAX Series Air Impactool™ - Parts List

Item	Part Description	Part Number	Item	Part Description	Part Number
*	Housing Assembly		*	Hammer Case Assembly	
	for model 2145QiMAX	2145QiMAX-A40		for models 2145QiMAX, 2145QiMAX-3, 2155QiMAX	2145-D727
	for model 2145QiMAX-3	2145QiMAX-3-A40		for models 2145QiMAX-6	2145-6-D727
	for model 2155QiMAX	2155QiMAX-A40			
1	Housing	---	22	Bushing, Hammer Case	---
2	Warning Label	---	23	Hammer Case	---
3	Information Label	---	24	Grease Fitting	---
25	Gasket	---	24	Grease Fitting	130SR-188
*	Reverse Valve Assy	---	† 25	Gasket, Motor	2141-283
*	Button Kit	---	† *	Trigger Assembly	2145-D93BK
2	Warning Label	WARNING-2-99	26	Trigger	---
3	Information Label		26A	O-Ring, Trigger	---
	for model 2145QiMAX	2145QiMAX-300	*	Reverse Valve Assembly	2141-A329
	for model 2145QiMAX-3	2145QiMAX-3-300	27	Reverse Valve	---
	for model 2145QiMAX-6	2145QiMAX-6-300	27A	O-Ring, Reverse Valve (Top-Black)	---
4	Screw, Hammer Case (4 required)	2141-638	27B	O-Ring, Reverse Valve (Bottom-Blue)	---
	Power Regulator Assy	2135-D249A	*	Inlet Bushing Assembly (includes 28, 29, 30, 31)	2145-D565
5	Power Regulator	---	28	Inlet Bushing	---
5A	O-Ring, Power Regulator	---	† 29	Inlet Pre-Screen	2145-61A
6	Retaining Ring	2131-6	30	Inlet Clip	2141-57
7	Ball Bearing (Cylinder)	2131-97	31	Inlet Parts Kit	2141-K303
8	Cylinder	2141-3	31A	O-Ring, Seal	---
9	Silencer	2145Q-311	31B	Throttle Spring	---
10	Rotor	2145-53	31C	Throttle Valve	---
† 11	Vane Pack (set of 7)	2145-42-7	31D	Valve Seat	---
12	Wear Plate	2145-11X	31E	Seat Support	---
13	End Plate	2145-11	31F	Retainer	---
14	Ball Bearing (End Plate)	R38P-606	*	Button Kit	2145-K75RD
† 15	Hammer Case Gasket	2145-36RD	32	Forward Button	---
*	Hammer Mechanism Kit	2145-THK2	33	Reverse Button	---
16	Hammer (2)	---	5A	O-Ring, Power Regulator	---
17	Hammer Frame	---	6	Retaining Ring	---
18	Hammer Pin (2)	---	7	Ball Bearing (Cylinder)	---
*	Anvil Assembly		14	Ball Bearing (End Plate)	---
	for model 2145QiMAX	2145-A626	11	Vane Pack (set of 7)	---
	for model 2145QiMAX-3	2145-A626-3	15	Hammer Case Gasket	---
	for model 2145QiMAX-6	2145-A626-6	26A	O-Ring, Trigger	---
19	Anvil	---	25	Gasket, Motor	---
*	Socket Retainer Kit	---	27A	O-Ring, Reverse Valve (Top-Black)	---
† *	Socket Retainer Kit (3/4" Ring-type)		27B	O-Ring, Reverse Valve (Bottom-Blue)	---
	for models 2145QiMAX, 2145QiMAX-3, 2145QiMAX-6	2145-K425	31	Inlet Parts Kit	---
† *	Socket Retainer Kit (1" Ring-type)		*	Inlet Clip Removal Tool	2131-322
	for models 2155QiMAX	2155-K425	*	Socket Retention Ring (3/4" Anvil)	RR100345
20	O-Ring	---	*	Socket Retention Ring (1" Anvil)	RR100155
21	Socket Retainer	---	† *	Air Care Kit (grease gun, grease, oil)	115-LBK1
22	Bushing, Hammer Case		*	Grease (replacement tube for -LBK1)	115-4T
	for models 2145QiMAX, 2145QiMAX-3, 2155QiMAX	2145-641	*	Air Tool Oil (4 oz. Bottle)	10Z4
	for models 2145QiMAX-6	2145-641-6	*	Grease (1 lb can)	105-1LB
			*	Grease (8 lb can)	105-8LB
			*	Grease Gun	R000A2-228

* Not Illustrated

† * To keep downtime to a minimum, it's desirable to have certain repair parts on hand. We recommend that you stock one (pair or set) of each part indicated by a (†) for every four tools in service.

Parts and Maintenance

When the life of the tool has expired, it is recommended that the tool be disassembled, degreased and parts be separated by material so that they can be recycled.

Tool repair and maintenance should only be carried out by an authorized Service Center.

Refer all communications to the nearest **Ingersoll Rand** Office or Distributor.

Related Documentation

For additional information refer to:

Air Impactool Product Safety Information Manual 04580916.

Air Impactool Product Information Manual 47103767.

Manuals can be downloaded from www.ingersollrandproducts.com.



www.ingersollrandproducts.com

© 2011 Ingersoll Rand

47103759

Edition 1

January 2011

Download from Www.Somanuals.com. All Manuals Search And Download.

Free Manuals Download Website

<http://myh66.com>

<http://usermanuals.us>

<http://www.somanuals.com>

<http://www.4manuals.cc>

<http://www.manual-lib.com>

<http://www.404manual.com>

<http://www.luxmanual.com>

<http://aubethermostatmanual.com>

Golf course search by state

<http://golfingnear.com>

Email search by domain

<http://emailbydomain.com>

Auto manuals search

<http://auto.somanuals.com>

TV manuals search

<http://tv.somanuals.com>