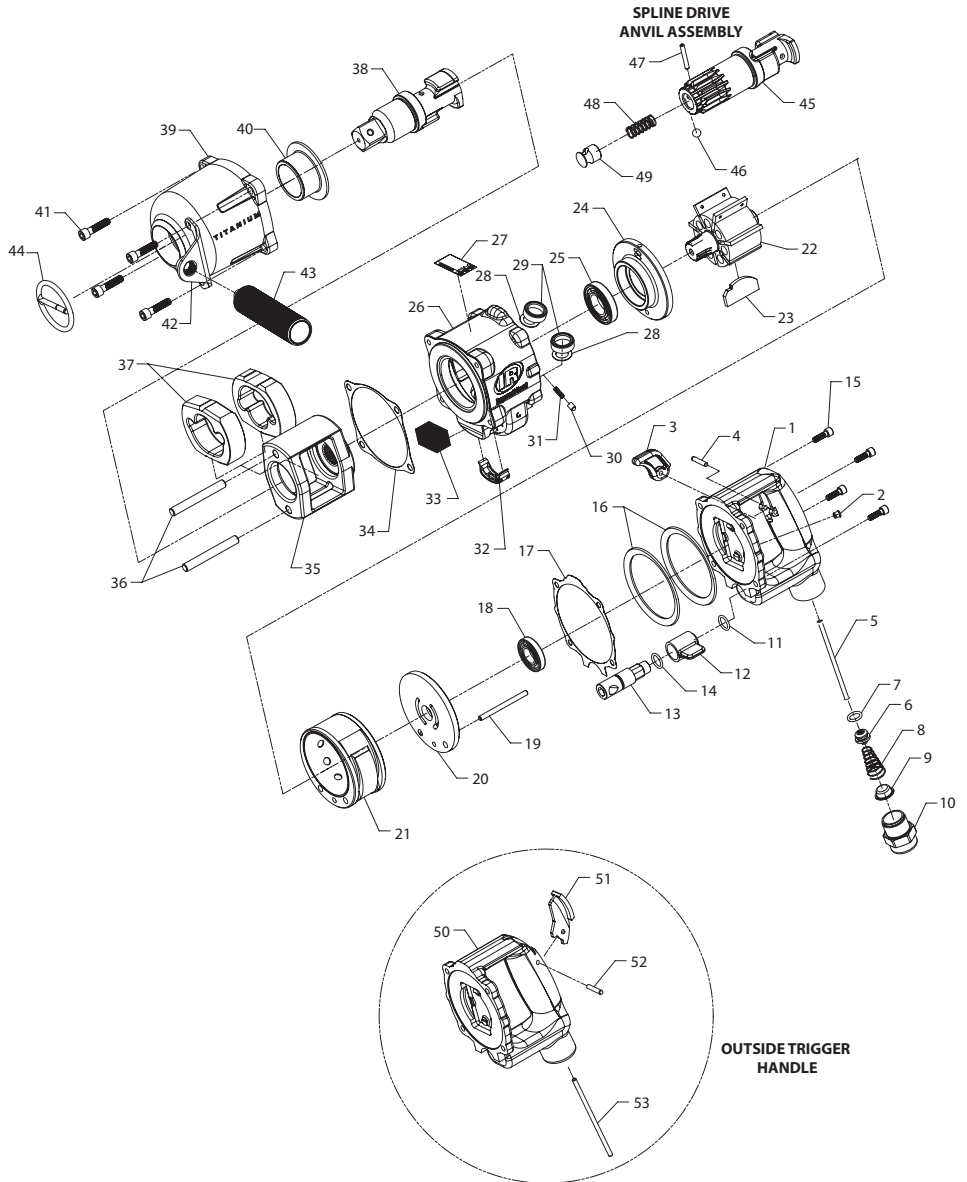


3955 Series Impact Wrench - Exploded View



(Dwg. 80164940)

3955 Series Impact Wrench - Parts List

Item	Part Description	Part Number	Item	Part Description	Part Number
1	Inside Trigger Handle Assembly	3955-A92	† 31	Reverse Lock Plunger Spring	4U-664-10
2	Grease Fitting	1305R-188	32	Exhaust Deflector	3940-123
3	Trigger	3940-93	† 33	Exhaust Silencer	3940P-311
4	Trigger Pin	280-265	† 34	Hammer Case Gasket	3955-36
5	Throttle Valve Plunger	3955-302	35	Hammer Frame Assembly	2950-A703
6	Throttle Valve Assembly	2934-A50	36	Hammer Pin (2)	2950-704
† † 7	Throttle Valve Seal	2934-159	37	Hammer (2)	2950-724
† 8	Throttle Valve Spring	834-51-5	38	1-1/2" Square Drive Anvil, Standard Length	2950-726
† † 9	Air Strainer Screen	434-61	39	Hammer Case Assembly	3955-D727
10	Straight Inlet	845-565	40	Hammer Case Bushing	2950-541
† † 11	Reverse Valve Seal	R00BR-210	41	Hammer Case Cap Screw (4)	3955-105
12	Reverse Lever	3940-75	42	Dead Handle Bracket	3955-364
13	Reverse Valve	3955-329	43	Dead Handle	3940-48
† † 14	Reverse Valve Bushing Seal	85H-167	44	Socket Retainer	RR100205
15	Handle Cap Screw (4)	3955-638	45	Spline Drive Anvil Assembly	VW-1030
16	Motor Clamp Washer (2)	MR-207	† 46	Socket Retaining Ball	D04-280
† † 17	Handle Gasket	3955-283	† 47	Plunger Retaining Pin	845-128
† 18	Rear Rotor Bearing	834-24	† 48	Retaining Plunger Spring	2940-231-5
19	Cylinder Dowel	2950-98	49	Retaining Ball Plunger	845-230
20	Rear End Plate	2950-12	50	Outside Trigger Handle Assembly	3955-A1
21	Cylinder	2950-3	51	Trigger	844-78
22	Rotor	3955-53	52	Trigger Pin	280-265
† † 23	Vane Packet (set of 7 vanes)	2950-42-7	53	Throttle Valve Plunger	3955-302
24	Front End Plate	3955-11		(Item 50 also includes illustrated parts 2, 6, 7, 8, 9, 10 & 11)	
† 25	Front Rotor Bearing	TA-22A			
26	Motor Housing Assembly	3955-A40	*	Grease Gun	R000A2-228
27	Warning Label for Impacttools	WARNING-2-99	*	Tune-up Kit (includes illustrated parts 7, 8, 9, 11, 14, 17, 18, 23, 25, 28[2], 29[2], 30, 31, 33, 34, 46, 47 and 48)	3955-TK1
† 28	Air Port Gasket Retainer (2)	2940-200			
† † 29	Air Port Gasket (2)	R44H-210A			
† 30	Reverse Lock Plunger	4U-663B			

* Not illustrated.

† Indicates Tune-up Kit part.

‡ To keep downtime to a minimum, it is desirable to have on hand certain repair parts. We recommend that you stock one (pair or set) of each part indicated by the mark (#) for every four tools in service.

Parts and Maintenance

When the life of the tool has expired, it is recommended that the tool be disassembled, degreased and parts be separated by material so that they can be recycled.

Tool repair and maintenance should only be carried out by an authorized Service Center.

Refer all communications to the nearest **Ingersoll Rand** Office or Distributor.

Related Documentation

For additional information refer to:

Air Impact Wrench Safety Information Manual 04580916.

Air Impact Wrench Product Information Manual 80160716.

Manuals can be downloaded from www.irtools.com.



www.irtools.com
© 2009 **Ingersoll Rand** Company

80160724
Edition 4
June 2009

Free Manuals Download Website

<http://myh66.com>

<http://usermanuals.us>

<http://www.somanuals.com>

<http://www.4manuals.cc>

<http://www.manual-lib.com>

<http://www.404manual.com>

<http://www.luxmanual.com>

<http://aubethermostatmanual.com>

Golf course search by state

<http://golfingnear.com>

Email search by domain

<http://emailbydomain.com>

Auto manuals search

<http://auto.somanuals.com>

TV manuals search

<http://tv.somanuals.com>