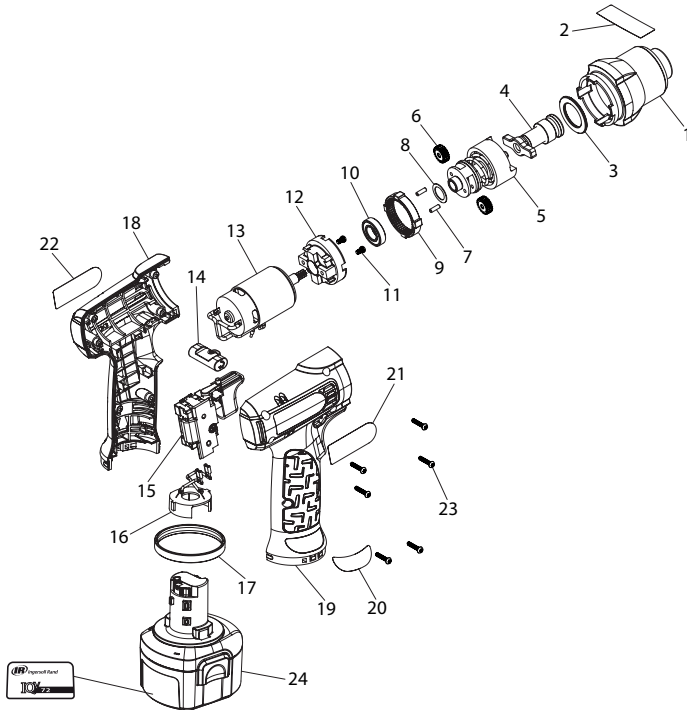


## W040 Series Cordless Impactool Exploded Diagram



(Dwg. 80237944)

### W040 Series Cordless Impactool Parts List

Item	Part Description	Part Number	Item	Part Description	Part Number
*	Hammer Case Kit	W040-K727	15	Trigger Kit	W040-K93
1	Hammer Case Assembly	---	16	Battery Connector Kit	W040-K56
2	Warning Label	---	*	Housing Kit	W040-K40
3	Washer, Nylon	---	19	Right Housing	---
4	Anvil Kit	---	18	Left Housing	---
	Anvil Kit for W040	W040-K626	22	Nameplate	---
	Anvil Kit for W040SQ	W040SQ-K626	21	Info Label	---
	Anvil Kit for W040P	W040-K726	20	Voltage Label	---
	Anvil Kit for W040AP	W040AP-K626	23	Screw, Housing (6 Required)	---
5	Impact Mechanism Kit	W040-K724	17	Housing Ring Kit	W040-K339
*	Planetary Gear Kit	W040-K37	*	Fastener Kit	W040-K105
6	Planet Gear (2 Required)	---	23	Screw, Housing (6 Required)	---
7	Pin (2 Required)	---	*	Label Kit	W040-K99
8	Washer	---	22	Nameplate	---
9	Ring Gear	---	23	Info Label	---
10	Bearing, Gear Carrier	---	2	Warning Label	---
11	Screw, Gear Case (2 Required)	---	20	Voltage Label	---
12	Gear Case	---	24	7.2V Ni-Cd 1Qv Battery Pack	N072
13	Electric Motor Kit	W040-K54		7.2V Li-Ion 1Qv Battery Pack	BL072
14	Forward/Reverse Actuator Kit	W040-K75			

\* Not Illustrated.

---

## Parts and Maintenance

When the life of the tool has expired, it is recommended that the tool be disassembled, degreased and parts be separated by material so that they can be recycled.

Tool repair and maintenance should only be carried out by an authorized Service Center.

Refer all communications to the nearest **Ingersoll Rand** Office or Distributor.

---

## Related Documentation

For additional information refer to:

Cordless Impact Wrench Product Safety Information Manual 04581146.

Cordless Impact Wrench Product Information Manual 80226780.

Manuals can be downloaded from [www.irttools.com](http://www.irttools.com).

## Free Manuals Download Website

<http://myh66.com>

<http://usermanuals.us>

<http://www.somanuals.com>

<http://www.4manuals.cc>

<http://www.manual-lib.com>

<http://www.404manual.com>

<http://www.luxmanual.com>

<http://aubethermostatmanual.com>

Golf course search by state

<http://golfingnear.com>

Email search by domain

<http://emailbydomain.com>

Auto manuals search

<http://auto.somanuals.com>

TV manuals search

<http://tv.somanuals.com>