

635389-X DIGITAL LUBRICATION METER (FOR MOTOR OILS, GEAR OILS, ATF)

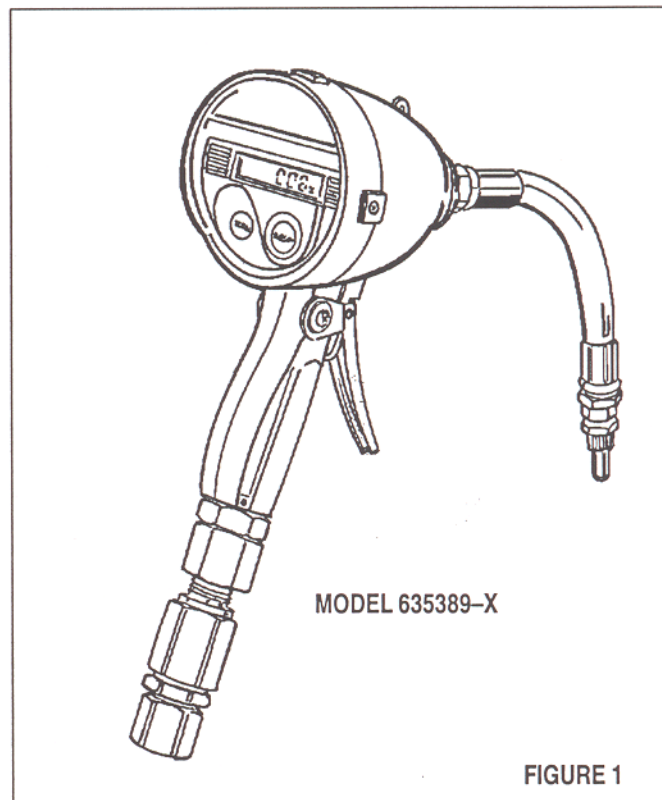


READ THIS MANUAL CAREFULLY BEFORE INSTALLING,
OPERATING OR SERVICING THIS EQUIPMENT.

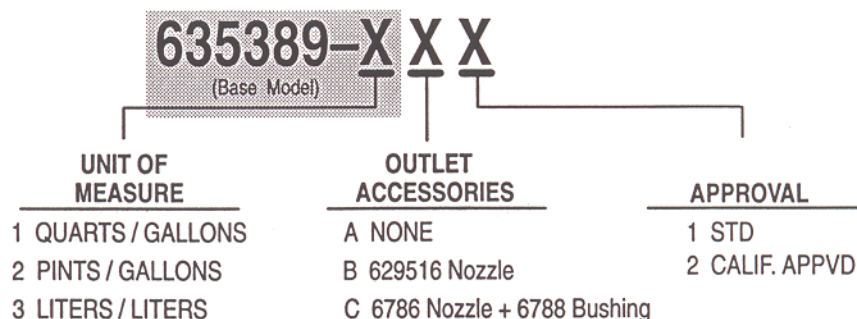
GENERAL DESCRIPTION

The electronic lube meter is designed specifically for dispensing a variety of petroleum products such as motor oils (S.A.E. 5-50), gear oils (S.A.E. 80-240), or automatic transmission fluid. The perfect balance, lightweight, ruggedness, and comfortable grip make it the best choice for overhead reels. A cast aluminum housing is coated with an oven baked epoxy finish to resist scratches. Magnetic drive prevents any possibility of leaks.

The electronic register module contains a microprocessor board powered by a Lithium battery with an expected life of 2-5 years depending on usage. It can be programmed to dispense pints, quarts, liters, or gallons and will totalize in liters or gallons. A calibration factor and unit of measure are programmed in each meter when it is factory tested. Unlike other lube meters, these units can be electronically re-calibrated in the field by authorized personnel, when necessary. A 5 digit liquid crystal display, accurate to the third decimal place, shows the exact amount of fluid dispensed. The entire register module is protected from the wear and tear of normal shop use by a rugged, glass filled, Nylon housing.



MODEL DESCRIPTION



THE ARO CORPORATION • ONE ARO CENTER • BRYAN, OHIO 43506-0151
☎ (419) 636-4242 • FAX (419) 636-2115
©1994 THE ARO CORPORATION • PRINTED IN U.S.A.



Part of worldwide Ingersoll-Rand

PLACING INTO SERVICE

OPERATION

WARNING

DO NOT EXCEED MAXIMUM WORKING PRESSURE
1000 PSI (69 Bar) For-XBX, -XCX Models.
1500 PSI (100 Bar) For-XAX Models.

After all entrapped air and / or foreign particles are removed from the supply line assemble the meter to the line. Clean oil continuously passes through the metering chamber by entering the inlet port, displacing the piston, and exiting the outlet port. Each oscillation of the piston displaces a given volume of fluid. Controlled clearances between the piston and chamber wall insure minimum leakage. As the piston oscillates, its center hub rotates a magnet which activates the microprocessor.

Depress the RESET button with your thumb to reset the batch totalizer to zero before each use. Squeeze the trigger handle to dispense the desired amount of fluid.

Total amount used from inventory can be checked periodically by depressing the TOTAL button. If the units dispensed are Pints, Quarts, or Gallons, the totalizer will read in Gallons. If the units dispensed are Liters, the totalizer will read in Liters.

All meters are shipped with a unit of measure pre-programmed at the factory. A built in "error detection" feature will cause the numbers on the LCD to flash if the microprocessor does not receive the proper pulse rate. If this should occur, the entire register module should be replaced. A complete display failure would indicate the battery needs replacement, the handle assembly (less hose and swivel) should be returned for proper service and recalibration.

Service Note: The Register Module cannot be field repaired, call the ARO Service Dept. for return and replacement instructions.

CAUTION: DO NOT SUBMERGE THE DIGITAL METER HEAD IN PETROLEUM SOLVENTS. Solvents may attack the adhesive used in assembly and ruin the Register Module. Clean the meter using soap and water only.

PROGRAMMING INSTRUCTIONS

PROGRAMMING SWITCH

Located on the underside of the Module. It must be depressed continually during any programming procedure.

TOTAL BUTTON

- When depressed alone, it will display total GALLONS or LITERS used from inventory.
- When depressed in conjunction with Programming button, it will allow you to select any item to be changed.

RESET BUTTON

- When depressed momentarily, it will clear the display.
- When depressed in conjunction with the Programming button, it will change any flashing object on the display.

TO CHANGE UNITS OF MEASURE

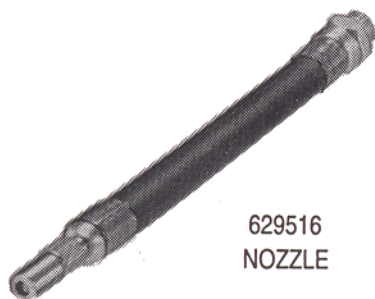
- Remove 3 screws holding electronic register module to lube meter body.
- Depress and hold PROGRAMMING switch on bottom of Module. A unit of measure symbol will flash.
- Toggle RESET button until desired unit of measure symbol appears.
- Release PROGRAMMING switch. This operation will lock in the selected program and blank the display.

NOTE: Changing any unit of measure will reset the totalizer to zero.

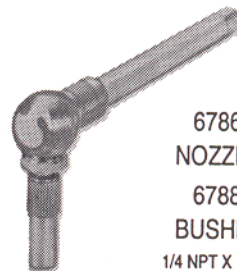
RECALIBRATION

Notice: All recalibration must be handled by an ARO Factory Authorized Service Center. Failure to do so will void any warranty rights.

OUTLET ACCESSORIES



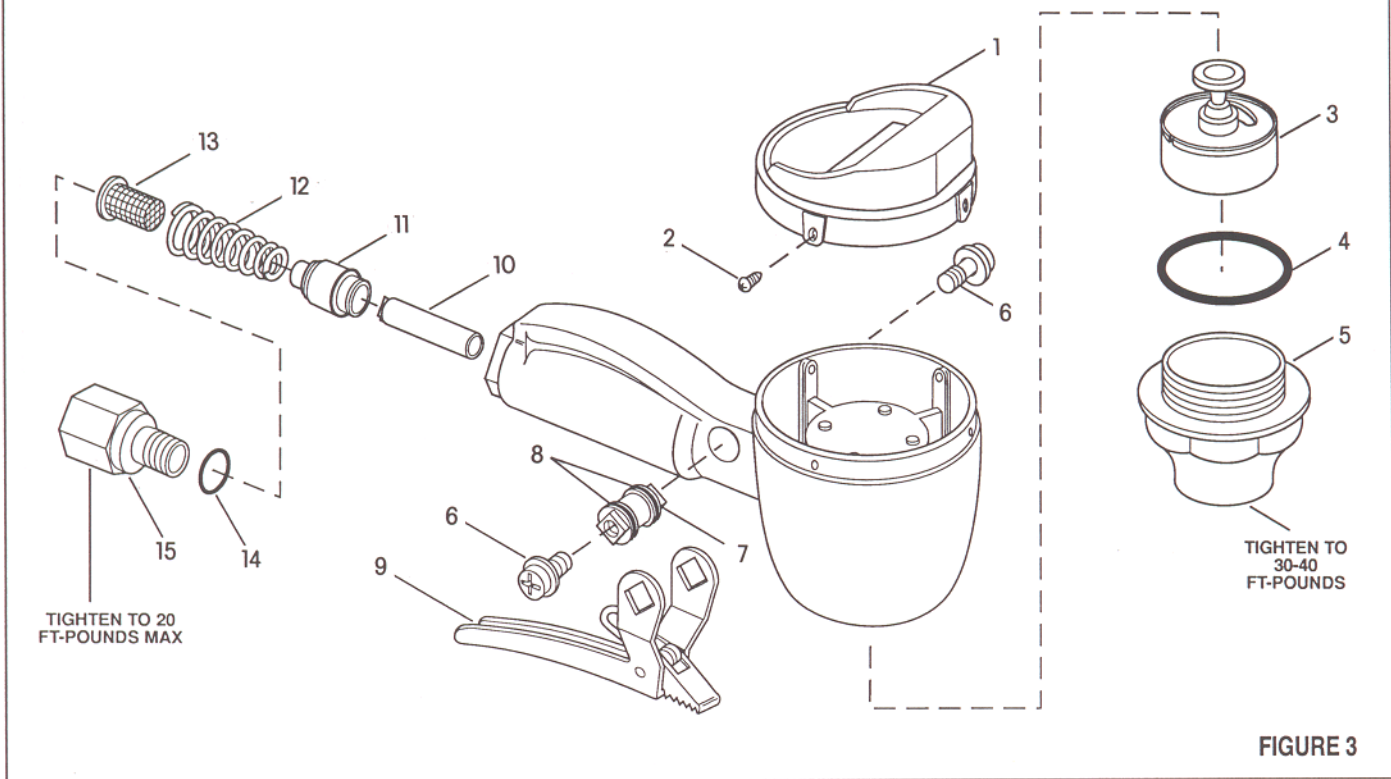
629516
NOZZLE



6786
NOZZLE
6788
BUSHING
1/4 NPT X 1/2 PTF
(Not Shown)

FIGURE 2

635389-XXX DIGITAL LUBRICATION METER



PARTS LIST

ITEM	DESCRIPTION	(MAT'L)	PART NO.	ITEM	DESCRIPTION	(MAT'L)	PART NO.
1	Register Module		See Note #1	9	Trigger Asm.		N/A
2	Screw		N/A	10	Sleeve		61489
3	Chamber & Magnet Asm.		See Note #2	11	Valve & Seat	(Buna N)	61490
4	"O"Ring	(Buna N)	Y325-226	12	Spring		77534
5	Housing Cap		77538	13	Screen		71123
6	Screw	(Sems Type)	77537	14	"O"Ring	(Buna N)	77513
7	Cam		N/A	15	Adapter		74053
8	Quad Ring	(Buna N)	77533	16	Swivel (Included but shown only in Fig 1)		635117

NOTE 1: This part is available only from the ARO Service Dept., contact the factory for special instructions.

NOTE 2: Factory installed service part only. Specify if the Chamber Magnet is to be used in a California Approved model.

BASE MODELS AVAILABLE (LESS ACCESSORIES)

BASE MODEL	MEASURING UNITS	CA APPROVED
635189-1	QUARTS / GALLONS	NO
635189-2	QUARTS / GALLONS	YES
635189-3	PINTS / GALLONS	NO
635189-4	PINTS / GALLONS	YES
635189-5	LITERS / LITERS	NO

Free Manuals Download Website

<http://myh66.com>

<http://usermanuals.us>

<http://www.somanuals.com>

<http://www.4manuals.cc>

<http://www.manual-lib.com>

<http://www.404manual.com>

<http://www.luxmanual.com>

<http://aubethermostatmanual.com>

Golf course search by state

<http://golfingnear.com>

Email search by domain

<http://emailbydomain.com>

Auto manuals search

<http://auto.somanuals.com>

TV manuals search

<http://tv.somanuals.com>