

611001 & 611002

HAND OPERATED LUBRICATION PUMP

35-LB. Container, 4500 psi.

IMPORTANT: READ THIS MANUAL CAREFULLY BEFORE INSTALLING, OPERATING OR SERVICING THIS EQUIPMENT.

GENERAL DESCRIPTION

This hand operated lubrication pump is well suited for portable chassis lubrication applications. It includes a 35-pound size container, follower plate, a full-opening cover, a hose/adaptor assembly and it can develop up to 4500 psi (310 bar) maximum working pressure.

PUMP ASSEMBLY

Remove the pins, cotter pins and link from the parts bag. Assemble the hand lever to the pump where shown in the parts list Fig.3. Connect the hose assembly to the pump.

OPERATION

After the pump has been placed in a full container of grease, operate the handle with even strokes to prime the pump. The pump will normally prime itself and deliver grease after 8 or 10 full strokes. If the pump should fail to prime, remove the grease hose from the pump and pour about a half pint of light oil (20wt) in the grease outlet. Shake the container to eliminate possibility of air pockets, replace the hose and operate the handle.

The motor oil will help lubricate the pump and increase the life of the cups. Pump cups can become hard after they have been out of use for several months. Keep the material covered and free from contamination which could damage the piston rod assembly.

TROUBLE SHOOTING

- If the pump fails to operate normally, the grease piston or piston cups may be scored or may be bypassing and need replacing. Remove the extension tube. Check the cups and piston for scoring. Remove the grease piston assembly and clean out thoroughly with solvent. Be sure the ball is seating properly.
- If leakage occurs between plunger rod and gland, tighten nut just enough to stop leakage. Do not over tighten as this will cause excessive packing wear and harden pumping action.

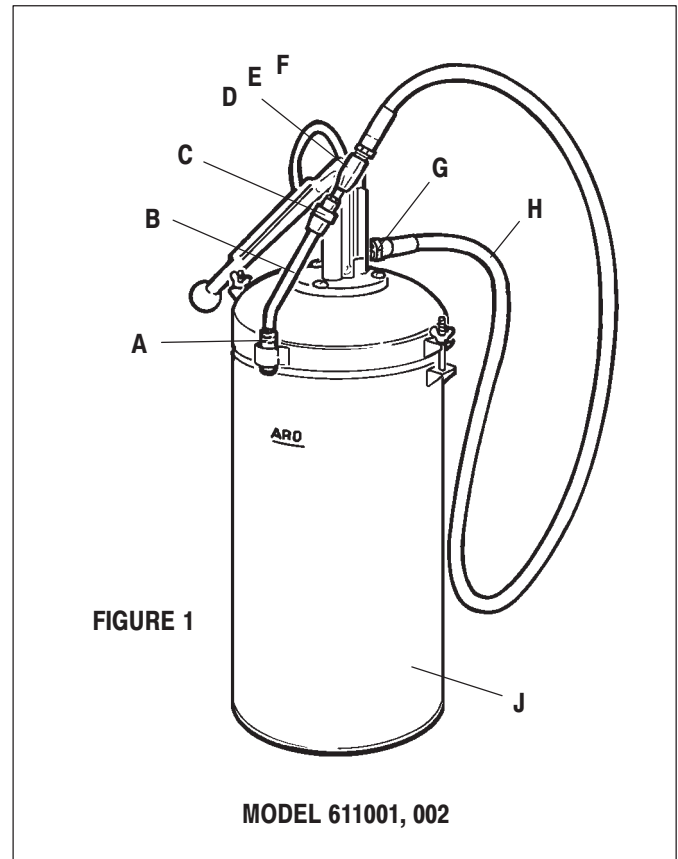


FIGURE 1

MODEL 611001, 002

MAJOR COMPONENTS CHECK LIST

ITEM	Description	(Qty)	Part No.
A	Hydraulic Adapter	(1)	636028
B	Tube	(1)	F123-3
C	Swivel	(1)	2085
D	Adapter	(1)	4280
E	Ball (Not shown)	(1)	Y16-14
F	Spring (Not shown)	(1)	F51-116
G	Bushing	(1)	Y45-106-C
H	5 Foot Hose (Model 611001)	(1)	623402-5
	7 Foot Hose (Model 611002)	(1)	623402-7
J	Bucket Assembly	(1)	2064
Items A-H are included in "H" Assembly.			



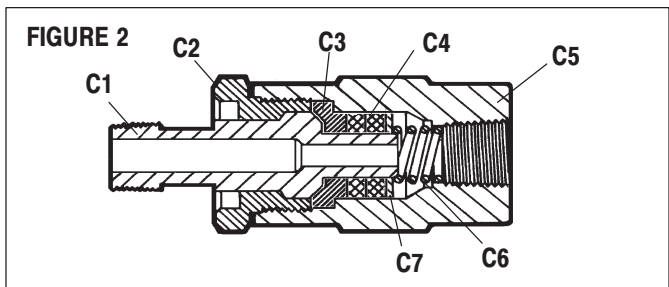
INGERSOLL-RAND COMPANY
ONE ARO CENTER • BRYAN, OHIO 43506-0151
☎ (419) 636-4242 • FAX (419) 633-1674 ©1997 • PRINTED IN U.S.A.

INGERSOLL-RAND
FLUID PRODUCTS

PARTS LIST

ITEM	Description	(Qty)	Part No.
1	Hand Lever	(1)	4279
*2	Cotter Pin	(3)	Y15-31-C
*3	Toggle Pin (1-5/16")	(2)	F303-1
*4	Toggle	(1)	4278
5	Gland Nut	(1)	4276
6	Seal	(4)	F26-52
7	Washer	(2)	F15-60
8	Spacer	(1)	4294
9	Pump Body	(1)	4277
10	Cover Assembly	(1)	2151
11	Extension Rod	(1)	4275
12	Tube	(1)	4270
13	Tube	(1)	4274
14	Adapter	(1)	4272
15	Washer	(1)	F61-61
16	Cup Packing	(2)	F19-47
17	Piston	(1)	4271
18	Plunger Assembly	(1)	2066
19	Follower	(1)	4286
20	Ball	(1)	Y16-9
21	Nut	(3)	Y87-2
22	Lockwasher	(3)	Y14-516
23	Screw	(3)	Y8-510-C
*24	Toggle Pin (1-1/2")	(1)	F303-2
25	Wing Nut (Not shown)	(2)	Y89-9-C
26	Bolt (Not shown)	(2)	Y84-506-C
* Items 2, 3, 4, 24 are included in 6100 Pin Asm. pkg.			

2085 1/8" STRAIGHT SWIVEL			
ITEM	Description	(Qty)	Part No.
C1	Stem	(1)	4309
C2	Gland	(1)	2571
C3	Spacer	(1)	2572
C4	Packing	(2)	F26-25
C5	Sleeve	(1)	2570
C6	Spring	(1)	F51-62
C7	Washer	(1)	F15-45



611001 & 611002 HAND OPERATED PUMPS

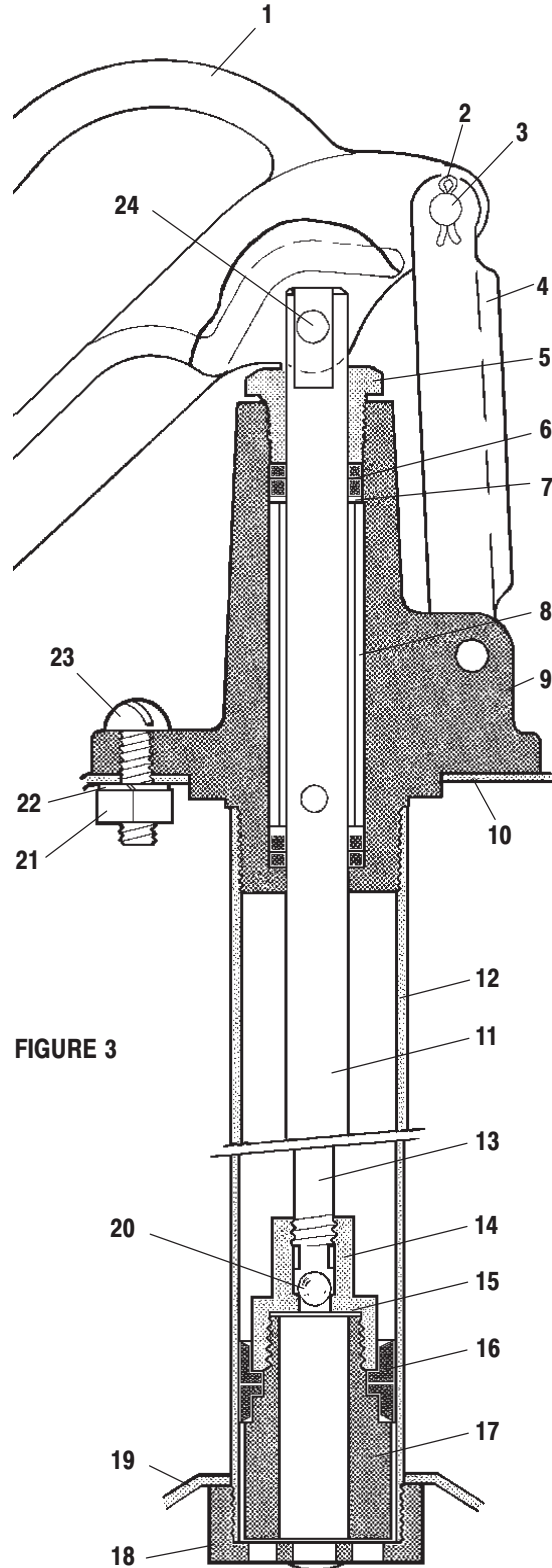


FIGURE 3

Free Manuals Download Website

<http://myh66.com>

<http://usermanuals.us>

<http://www.somanuals.com>

<http://www.4manuals.cc>

<http://www.manual-lib.com>

<http://www.404manual.com>

<http://www.luxmanual.com>

<http://aubethermostatmanual.com>

Golf course search by state

<http://golfingnear.com>

Email search by domain

<http://emailbydomain.com>

Auto manuals search

<http://auto.somanuals.com>

TV manuals search

<http://tv.somanuals.com>