

611173-B HAND OPERATED LUBRICATION PUMP 35-LB. Container, 3500 psi. (241 Bar)



READ THIS MANUAL CAREFULLY BEFORE INSTALLING,
OPERATING OR SERVICING THIS EQUIPMENT.

OPERATING PRECAUTIONS

Use ARO replacement parts to assure compatible pressure rating. Read all Warnings and Safety Instructions carefully before operation of this unit.

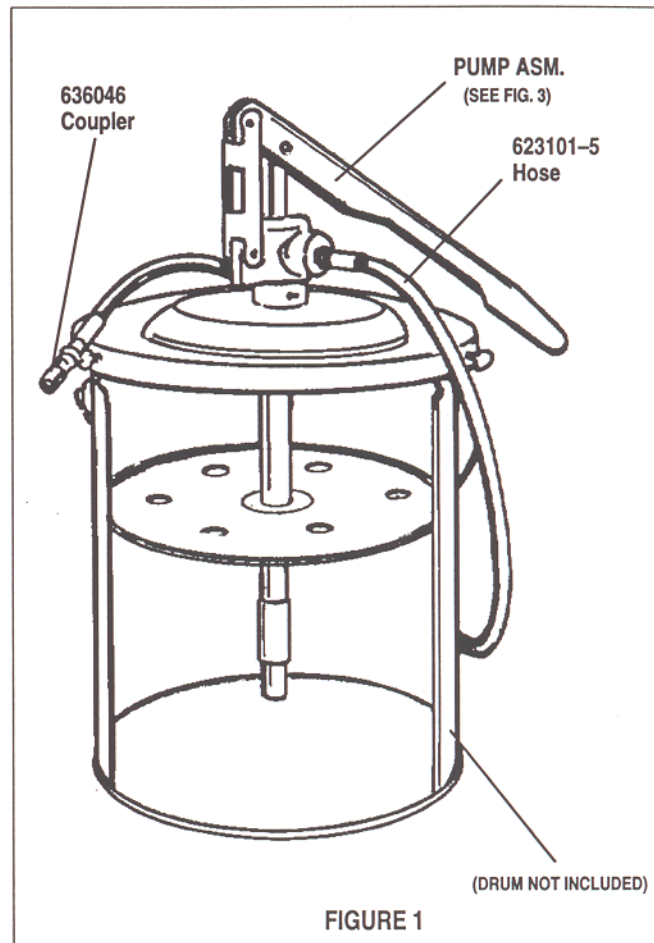
HEED ALL WARNINGS

⚠ WARNING PREVENT STATIC SPARKING. If static sparking occurs, fire or explosion could result. Pump dispensing valve, and containers must be grounded when handling inflammable fluids such as petroleum products, paints, lacquers, etc. and whenever discharge of static electricity is a hazard.

⚠ CAUTION When pumping, flushing or recirculating volatile solvents, the area must be adequately ventilated.

⚠ CAUTION Keep solvents away from heat, sparks and open flames. Keep container closed when not in use.

⚠ CAUTION Materials and Solvents being pumped must be compatible with the parts of the pump that become wetted when in contact with material or solvent.



GENERAL INFORMATION

INSTALLATION

1. Install (1) Hand Lever and (5) toggle as shown in Figure 2.
2. Slip (15) cover over the (21) primer tube and secure cover to pump.
3. Assemble the (16) follower plate on the (21) primer tube.
4. Set pump on pail with follower under the drum cover. Adjust cover to proper height and secure with the (14) set screw, Then secure with the three (24) thumb screws.
5. Assemble one end of 623100-5 hose to pump outlet. Assemble 636046 coupler to other end of hose.

TROUBLE SHOOTING

- If the pump operates, but dispenses little or no material, remove the foot valve assembly and check for foreign matter which may be holding the valve plate off the seat. Also, make sure the valve plate or seat is not bent or scored.
- If leakage occurs between (11) plunger rod and (6) pump head, tighten nut just enough to stop leakage. Do not over tighten as this will cause excessive packing wear and harden pumping action. Replace packings if necessary.

MAINTENANCE

Disassembly should be done on a clean work bench with clean cloths to keep parts clean.

Periodically flush pump with a solvent that is compatible with material being pumped.

Caution should be used at all times to keep the material covered and free from contamination which could damage the piston rod assembly

PARTS LIST

ITEM	Description	(Qty)	Part No.
1	Hand Lever	(1)	73858-2
2	Pin	(1)	73860
3	Cotter Pin	(3)	Y15-31-C
4	Pin	(2)	F303-2
5	Toggle	(1)	4278
6	Pump Head	(1)	76823
7	Packing	(3)	76825
8	Washer	(1)	76824
9	Spring	(1)	F51-17
10	Gasket	(1)	76827
11	Plunger Rod	(1)	76828
12	Extension Tube	(1)	79241

ITEM	Description	(Qty)	Part No.
13	Roll Pin	(1)	Y178-55
14	Set Screw	(1)	Y10-403-C
15	Cover Asm.	(1)	61484
16	Follower	(1)	640095-1-B
17	Retaining Ring	(1)	Y180-50
18	Foot Valve	(1)	72862
19	Primer Rod	(1)	79238
20	Gasket	(1)	72851
21	Primer Tube	(1)	72854
22	Primer	(1)	72859
23	Cotter Pin	(1)	Y15-21
24	Thumb Screw	(1)	Y66-55-C
25	Washer	(4)	76945

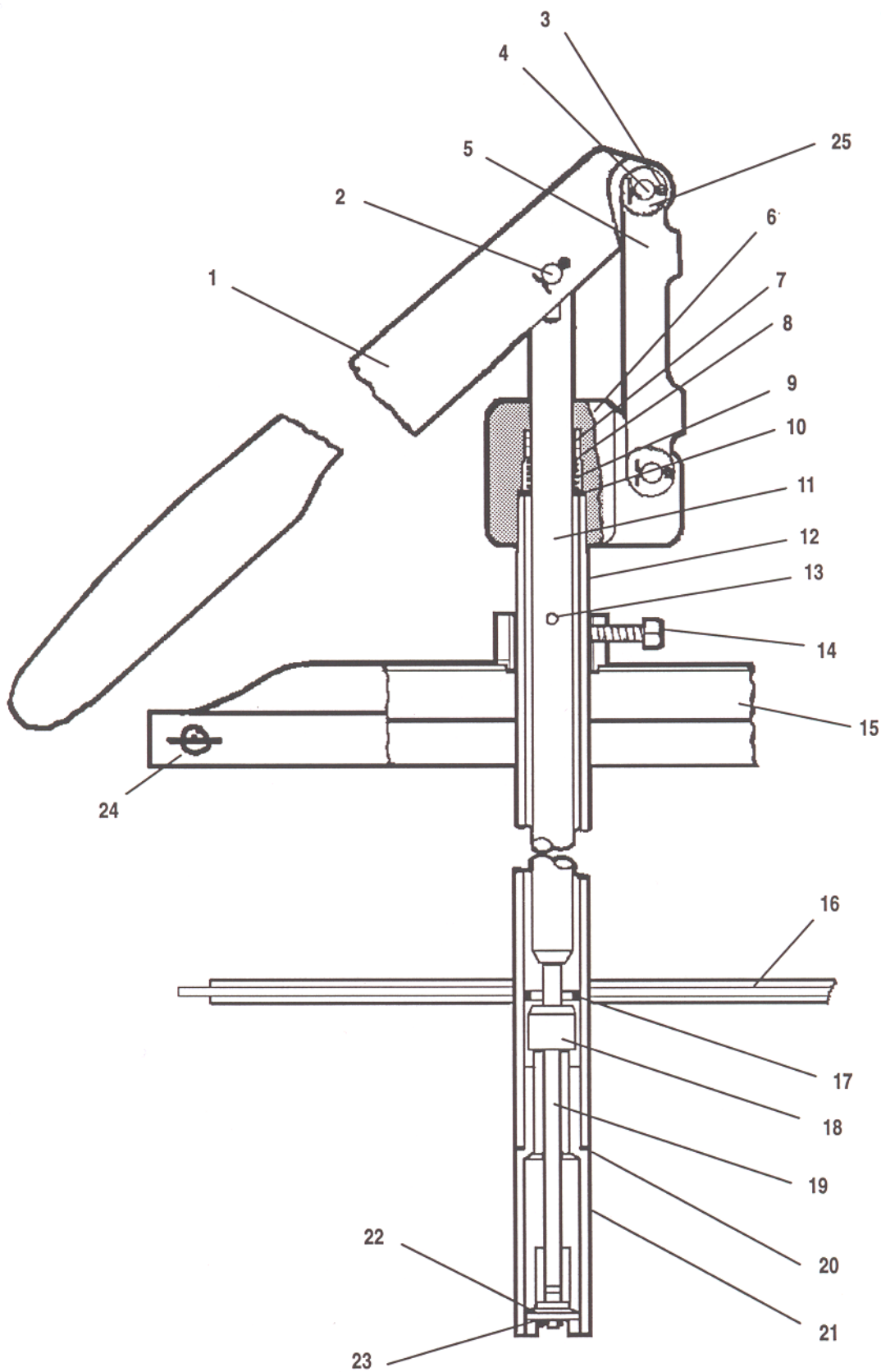


FIGURE 2



Part of worldwide Ingersoll-Rand

PAGE 4 OF 4

PN 97999-037

611173-B

Free Manuals Download Website

<http://myh66.com>

<http://usermanuals.us>

<http://www.somanuals.com>

<http://www.4manuals.cc>

<http://www.manual-lib.com>

<http://www.404manual.com>

<http://www.luxmanual.com>

<http://aubethermostatmanual.com>

Golf course search by state

<http://golfingnear.com>

Email search by domain

<http://emailbydomain.com>

Auto manuals search

<http://auto.somanuals.com>

TV manuals search

<http://tv.somanuals.com>