

OPERATOR'S MANUAL

670007-X

INCLUDE MANUALS: 66605X-X 1/2" Diaphragm Pump (PN 97999-099)

RELEASED: 6-1-00
 REVISED: 6-22-10
 (REV. B)

1/2" DIAPHRAGM PUMP 1:1 RATIO (NON-METALLIC)

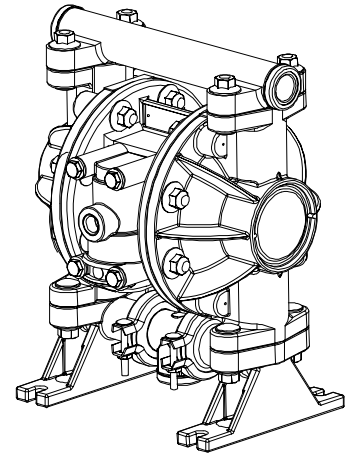
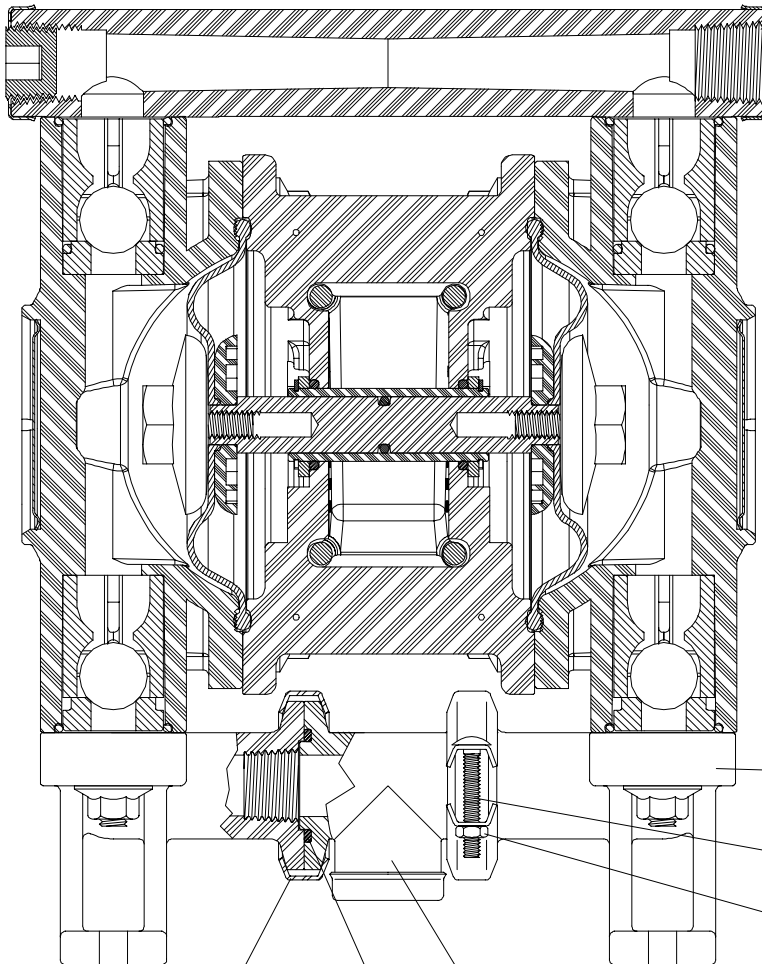
GENERAL DESCRIPTION

The 670007-3XX 1/2" diaphragm pumps are similar to 66605J-3XX Polypropylene diaphragm pumps. These pumps feature a 3-piece inlet manifold and a single piece outlet manifold.

The 670007-3XX models and their standard model counterparts are shown in the chart at right. A 66605X-X Operator's Manual (PN 97999-099) is to be used for General Information, Installation, Operation and Maintenance. Refer to the standard 66605X-X Operator's Manual for Service Kits and other information. Follow the standard parts list with the exception of the items listed below.

MODEL CHART

670007-X MODEL	STANDARD MODEL	FLUID SECTION REPAIR KIT
670007-322	66605J-322	637140-22
670007-344	66605J-344	637140-44
670007-388	66605J-388	637140-88
670007-3EB	66605J-3EB	637140-EB



MODEL	"O" RING	MATERIAL
670007-322	Y325-120	Nitrile
670007-344	94749	PTFE
670007-388	93118	Urethane
670007-3EB	93762	E.P.R.

93099 Clamp (4)

93101-1 Swivel (1)

"O" Ring (2) (see chart) (3/32" x 1-3/16" o.d.)

93106-1 Foot Manifold (2)

Y84-303-T Bolt (4) (#10 - 24 x 1-1/2")

Y22-10-S Nut (4) (#10 - 24)

PN 97999-919

INGERSOLL RAND COMPANY LTD

209 NORTH MAIN STREET - BRYAN, OHIO 43306

(800) 495-0276 • FAX(800) 892-6276

© 2010

www.ingersollrandproducts.com

ARO

IR Ingersoll Rand
 Industrial Technologies

Free Manuals Download Website

<http://myh66.com>

<http://usermanuals.us>

<http://www.somanuals.com>

<http://www.4manuals.cc>

<http://www.manual-lib.com>

<http://www.404manual.com>

<http://www.luxmanual.com>

<http://aubethermostatmanual.com>

Golf course search by state

<http://golfingnear.com>

Email search by domain

<http://emailbydomain.com>

Auto manuals search

<http://auto.somanuals.com>

TV manuals search

<http://tv.somanuals.com>