

OPERATOR'S MANUAL

72760-D

INCLUDING: SERVICE KITS, GENERAL DESCRIPTION & TROUBLESHOOTING
ALSO INCLUDE MANUALS: 6641X-X AIR MOTOR MANUAL, FORM 3637-2 GENERAL INFORMATION SHEET.

72772-D

RELEASED:9-8-93

3" AIR MOTOR
2:1 RATIO
2 1/4" STROKE

72760-X-D & 72772-X-D
BASIC PUMP
16 GALLON

(REV. A) IPP/PSE

**IMPORTANT: READ THIS MANUAL CAREFULLY BEFORE INSTALLING,
OPERATING OR SERVICING THIS EQUIPMENT.**

SERVICE KITS

- 637066-B for repair of Air Motor section.
- Use only genuine ARO® replacement parts to assure compatible pressure rating and longest service life.

GENERAL DESCRIPTION

This model is designed for high volume delivery of low viscosity fluids from standard containers. The model covered by this manual does not include any accessories such as outlet swivels, material supply hoses or airline lubricator. Material dispensing accessories and supply lines and fittings must be capable of withstanding pressures developed by the pump.

- The ARO® 2:1 ratio basic pump assembly consists of 3" air motor and flat check lower pump end.

RATIO x REGULATED AIR PRESSURE TO AIR MOTOR = MAXIMUM FLUID PRESSURE.

- The 2:1 ratio is an expression of the relationship between the air motor area and the lower pump end area. When 150 PSI (10 Bar) air pressure is supplied to the air motor, the lower pump end will develop a maximum of 300 PSI (20 Bar) fluid pressure (at no flow) – as the fluid control is opened, the flow rate will increase as the air motor cycle rate increases to keep up with the demand.

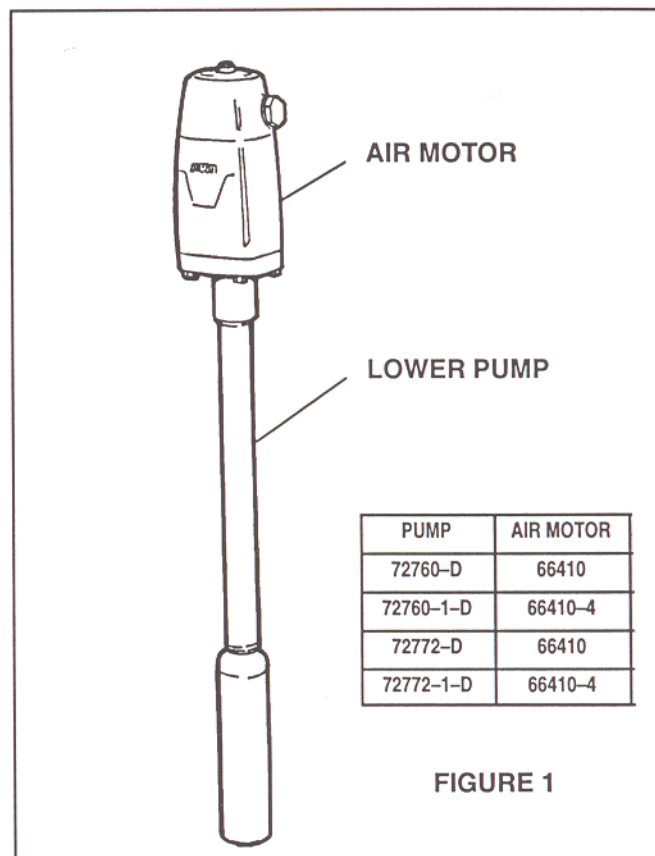


FIGURE 1

OPERATING AND SAFETY PRECAUTIONS

- **HEED ALL WARNINGS.**
- **DO NOT EXCEED MAXIMUM WORKING PRESSURE OF 300 PSI (20 BAR) AT 150 PSI (10 BAR) AIR INLET PRESSURE.**
- **WARNING: HIGH PRESSURE DEVICE.** Improper usage of this equipment could result in serious injury. The possibility of injection into the flesh is a potential hazard. Never allow any part of the human body to come in front of or in direct contact with the material outlet. An injection injury can be serious. If injection should occur, contact a qualified physician immediately for treatment.
- **COMPONENT RUPTURE.** This pump is capable of producing high material pressure as stated on pump model plate.
- Be sure material hoses and other components are able to withstand fluid pressures developed by this pump.
- Do not operate pump continuously at speeds in excess of 75 cycles per minute.
- Disconnect air line from pump air motor when system sits idle for long periods of time.
- Materials and solvents being pumped by this pump must be compatible with the parts of this pump that come in contact with the material and solvent.
- **SERVICING.** Before servicing or cleaning pump, or removing fluid hose or gun from a unit that has been used, be sure to disconnect air lines and carefully bleed the pressure off the system.

THE ARO CORPORATION • ONE ARO CENTER • BRYAN, OHIO 43506-0151
PH: (419) 636-4242 • FAX (419) 636-2115
©1993 THE ARO CORPORATION • PRINTED IN U.S.A.



Part of worldwide Ingersoll-Rand

- **WARNING: PREVENT STATIC SPARKING.** If static sparking occurs, fire or explosion could result. Pump, dispensing valve and containers must be grounded when handling inflammable fluids such as petroleum products, paints, lacquers, etc. and wherever discharge of static electricity is a hazard.
- Use grounded hoses (static wire) and be sure the object is grounded if it can produce a static charge.

AIR AND LUBE REQUIREMENTS

⚠ WARNING HAZARDOUS PRESSURE. Do not exceed maximum inlet air pressure of 150 psi (10 bar). Operating pump at higher pressure may cause pump damage and/or personal injury and/or property damage.

- Refer to general information sheet for additional safety precautions and important information.
- Excessive air pressure will shorten the life of the pump.
- For maximum operating efficiency, the following air supply specifications should be maintained to this pump.
 - AIR PRESSURE – Up to 150 P.S.I. (10 Bar)
 - AIR FILTRATION – 50 micron
 - LUBRICATED AIR SUPPLY
 - AIR INLET SIZE – 1/4" NPTF
- Filtered and oiled air will allow the pump to operate more efficiently and yield a longer life to operating parts and mechanisms.
- Lack of or an excessive amount of lubrication will affect the performance and life of this pump. Use the recommended lubricants.
- **DAILY: Fill air line lubricator with a good grade of S.A.E. NO. 90 W non-detergent gear oil, adjust to 1 to 2 drops per minute.**
- If pump is to be inoperative for more than a few hours at a time, disconnect air supply and relieve all pressure from the system.

It is recommended that an oiler be installed in the airline as close as possible to the pump. This increases the service life of the pump by reducing wear of the air motor's internal parts.

INSTALLATION

FLUSH PUMP

1. Connect fluid hose to pump outlet and be sure all fittings are tight.
 2. Turn air regulator knob counter-clockwise until it turns freely.
 3. Pump has been tested in oil and a small amount remains for protection against rusting. Immerse lower pump end in compatible solvent.
 4. Connect air hose coupler to connector on FRL.
 5. Turn air regulator knob clockwise until air motor starts operating.
 6. Flush pump with oil.
 7. Disconnect air supply from air motor.
- **CAUTION:** Solvent used for flushing may not be compatible with material being pumped. If this is the case, flush again with a compatible solvent.
 - If pump is to be inoperative for an unspecified period of time, disconnect air and relieve all pressure.
 - If pump does not function properly, disconnect air and relieve all pressure. Refer to Trouble Shooting.

OPERATING INSTRUCTIONS

1. Turn air regulator knob clockwise until air motor starts to cycle.
2. Allow pump to cycle slowly until it is primed and all air is purged from the fluid hose or dispensing valve.
3. Turn off dispensing valve and allow pump to stall-check all fittings for leakage.
4. Change air regulator setting until desired pressure and flow is obtained.
5. Inspect airline filter, open petcock to flush moisture or residue from bowl.
6. Pump is recommended to operate between 30 PSI and 150 PSI (not to exceed 75 cycles per minute.)

MAINTENANCE

The basic pump consists of two major components: 1. Air Motor, 2. Lower Pump. The air motor is removable and is to be serviced separately. Refer to air motor manual for service and parts.

- Periodically flush entire pump system with a solvent that is compatible with the material being pumped.
- Refer to disassembly procedures of air motor for correct breakdown.
- Disassembly should be done on a clean work bench with clean cloths to keep parts clean.
- If replacement parts are necessary, consult drawing containing parts for identification.
- Before assembling, lubricate parts where required. When assembling "O" rings or parts adjacent to "O" rings, care must be exercised to prevent damage to "O" rings and "O" ring groove surfaces.

PUMP DISASSEMBLY

NOTE: All threads are right hand.

CAUTION: DO NOT mar finish on (2) or (5) tubes.

1. Clamp pump assembly in a vise on the air motor base assembly.
2. Unscrew (2) tube and separate motor assembly from lower pump assembly by pulling down on the lower pump assembly exposing the connection between the motor piston and material rod.
3. Unscrew the air motor piston rod from the lower pump rod using flats provided on both rods.
4. Vise lower pump using flats on (3) adapter. Using a strap wrench (Model 640081-B) Unscrew (2) tube.
5. Remove (13) foot valve and set aside. Disassemble only if necessary.
6. Unscrew (5) tube from (3) adapter using strap wrench. Push piston assembly from (5) tube.
7. Vise piston assembly on flats of (1) rod. Unscrew (12) nut and remove (11) washer, (10) cup packing, (9) cup retainer, (8) valve plate and (7) spring.

PUMP ASSEMBLY

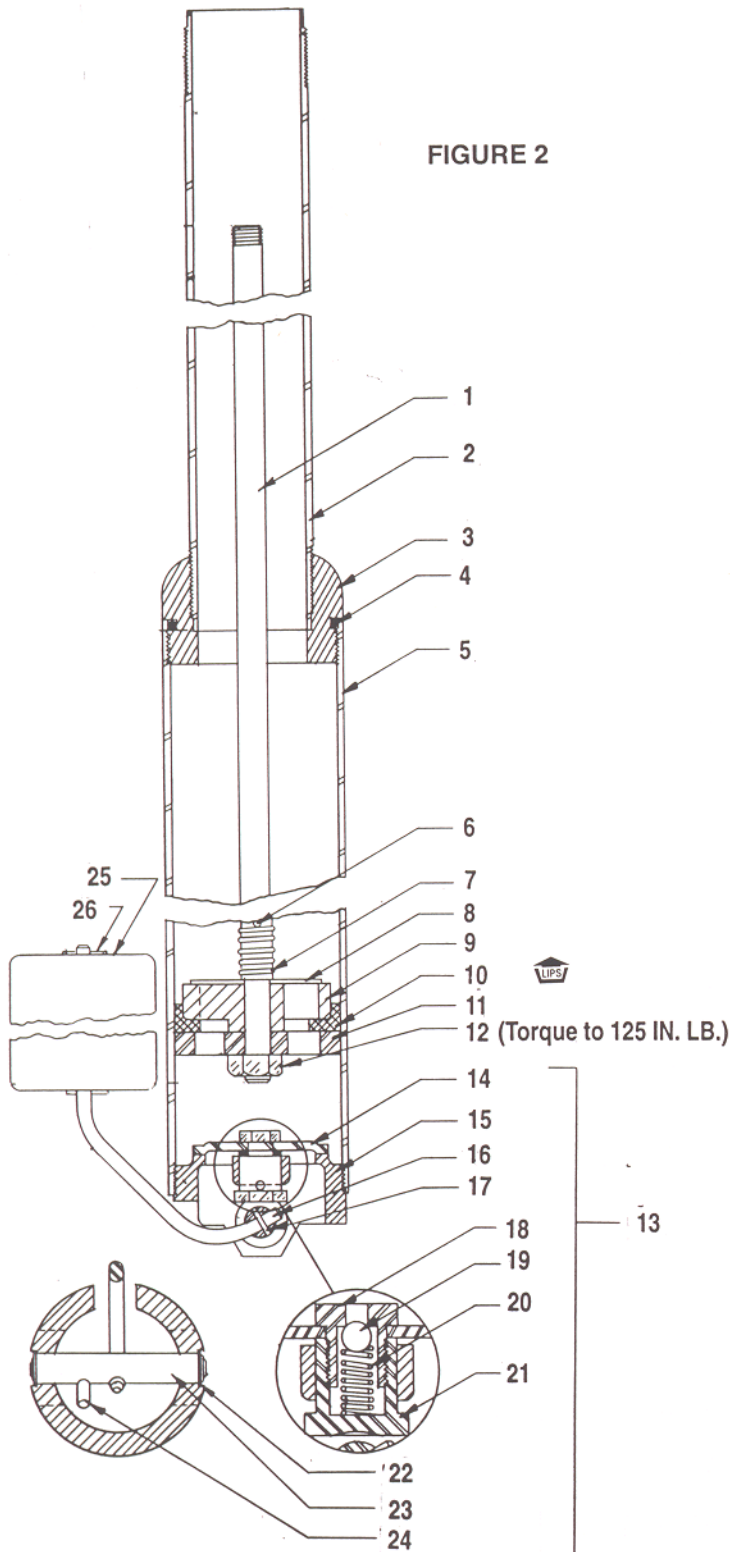
Assemble with new service parts.

1. Vise (1) rod and assemble (7) spring, (8) valve plate, (9) cup retainer, (10) cup packing, (11) washer and (12) nut as shown in Figure 2.
2. Vise (3) adapter (Be sure to replace (4) "O" rings.) Insert plunger assembly (Items 7 thru 12) into (5) tube.
3. Slide plunger assembly thru bottom of (3) adapter and screw (5) tube onto (3) adapter.
4. Slide (2) tube over rod and screw into (3) adapter.
5. Tighten tubes to (3) adapter using strap wrench.
6. Screw (13) foot valve to bottom of (5) tube.

LOWER PUMP

PARTS LIST

FIGURE 2



ITEM	Description	72760-D	72772-D
1	Rod	F229-9	F229-3
2	Tube	72790	72774

ITEM	Description	Qty	Part No.
1	Rod (See Chart Above)	1	XXXXX
2	Tube (See Chart Above)	1	XXXXX
3	Adapter	1	72759
4	"O" Ring	1	Y325-224
5	Tube	1	F128-66
6	Cotter Pin	1	Y15-42
7	Spring	1	F51-39
8	Valve Plate	1	2542
9	Cup Retainer	1	70007
10	Cup Packing	1	77877
11	Cup Washer	1	999
12	Nut	1	Y170-5-C
13	Foot Valve (Items 14 thru 26)	1	1583
14	Valve Plate	1	F58-1
15	Valve Body	1	F259-2
16	Float Rod	1	3495
17	Pin	1	Y93-52
18	Check Valve Seat	1	3486
19	Ball	1	Y16-6
20	Spring	1	F51-96
21	Check Valve	1	3487
22	Washer	2	F15-56
23	Float Shaft	1	F268-2
24	Groove Pin	1	Y121-104
25	Float	1	F52-1
26	Pin	1	Y15-21



Part of worldwide Ingersoll-Rand

PN 97999-591

Free Manuals Download Website

<http://myh66.com>

<http://usermanuals.us>

<http://www.somanuals.com>

<http://www.4manuals.cc>

<http://www.manual-lib.com>

<http://www.404manual.com>

<http://www.luxmanual.com>

<http://aubethermostatmanual.com>

Golf course search by state

<http://golfingnear.com>

Email search by domain

<http://emailbydomain.com>

Auto manuals search

<http://auto.somanuals.com>

TV manuals search

<http://tv.somanuals.com>