

Installation Instructions

Limit Switch Kit for B006 Barring Motor (45541935)

Product Safety Information

Intended Use:

This product is designed to be mounted on an **Ingersoll Rand** B006 Barring Motor. It prevents voltage from being applied to an engine starting system while the Barring Motor is engaged with the Ring Gear of the Engine.

For additional information:

Refer to **Barring Motors Product Safety Information Manual Form 45526654**.

Manuals can be downloaded from www.irttools.com.

Product Specifications

Switch: Normally closed

Maximum voltage: 250 Volts

Maximum current: 10.1 Amps

Connectors: .110 inch solder lug male terminals (2)

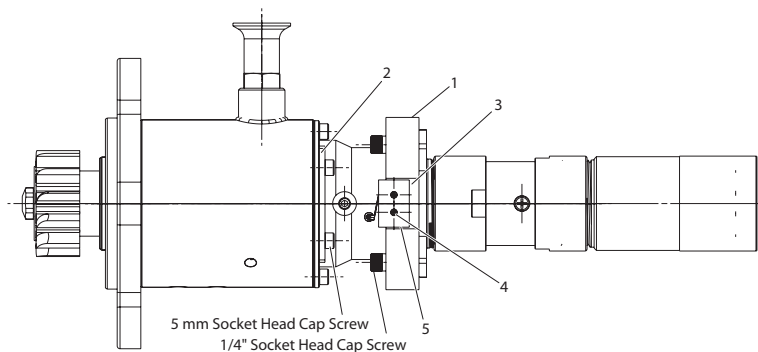
Operation

When the Barring Motor is disengaged from the Engine Ring Gear, the switch is closed, and voltage can reach the solenoid to start the Engine. When the Barring Motor is engaged with the Engine Ring Gear, the switch is open, and voltage cannot reach the solenoid to start the Engine.

Installation

1. Remove two of the three 1/4-inch Socket Head Cap screws from Air Motor Assembly. Insert the screws through the Bracket (1) into the Air Motor Assembly and torque to 4.5/5.0 ft.lbs.
2. Remove two of the six 5 mm Socket Head Cap screws that hold the Ring to the Barring Motor Housing. Insert the screws through the holes in the Plate (2), into the holes in the Housing, and apply Loctite #243 - torque to 4.5/5.2 ft.lbs.
3. Connect the wire from the voltage supply to a terminal on the Limit Switch (5).
4. Connect the wire from the starter to the other terminal on the Limit Switch (5).
5. Place the Limit Switch (5) on top of the Bracket (1). Insert the two #2 Socket Head Cap screws (4) through the holes in the Cover (3), through the holes in the Limit Switch (5), into the holes in the Bracket (1), and tighten.

Illustration



(Dwg. 45540911)

Limit Switch Kit Parts List

Item	Part No.	Description	Qty.
1	45540754	Bracket	1
2	45540713	Plate	1
3	45540671	Cover	1
4	45540663	Cap Screw	2
5	45540648	Limit Switch	1
6	45546181	Installation Sheet	1

Free Manuals Download Website

<http://myh66.com>

<http://usermanuals.us>

<http://www.somanuals.com>

<http://www.4manuals.cc>

<http://www.manual-lib.com>

<http://www.404manual.com>

<http://www.luxmanual.com>

<http://aubethermostatmanual.com>

Golf course search by state

<http://golfingnear.com>

Email search by domain

<http://emailbydomain.com>

Auto manuals search

<http://auto.somanuals.com>

TV manuals search

<http://tv.somanuals.com>