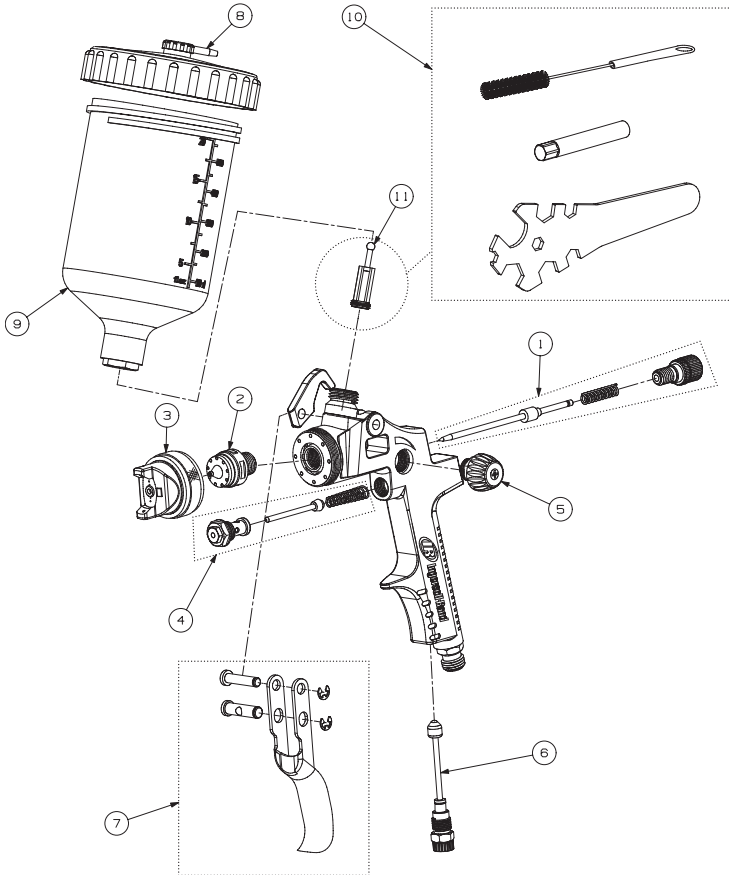


# Model 210G Gravity Feed Sprayer Exploded Diagram



(Dwg. TP2146)

## Model 210G Gravity Feed Sprayer Parts List

Item	Part Description	Part Number
1	Fluid Needle Kit	210G-K20
2	Fluid Nozzle	210G-30
3	Air Cap	210G-40
4	Valve Kit	210G-K50
5	Pattern Controller	210G-60
6	Air Controller	210G-70
7	Trigger Kit	210G-K80
8	Cup Lid	210G-90
9	Cup	210G-100
10	Accessories Kit	210G-200
11	Filter	200G-1727

---

## Parts and Maintenance

When the life of the tool has expired, it is recommended that the tool be disassembled, degreased and parts be separated by material so that they can be recycled.

Tool repair and maintenance should only be carried out by an authorized Service Center.  
Refer all communications to the nearest **Ingersoll-Rand** Office or Distributor.

---

## Related Documentation

For additional information refer to:  
Gravity Feed Sprayer Product Safety Information Manual 16576563,  
Gravity Feed Sprayer Product Information Manual 04579611,  
Gravity Feed Sprayer Maintenance Information Manual 16577645.



[www.irtools.com](http://www.irtools.com)

© 2005 **Ingersoll-Rand** Company

**Form 16577678**

**Edition 1**

**April 2005**

## Free Manuals Download Website

<http://myh66.com>

<http://usermanuals.us>

<http://www.somanuals.com>

<http://www.4manuals.cc>

<http://www.manual-lib.com>

<http://www.404manual.com>

<http://www.luxmanual.com>

<http://aubethermostatmanual.com>

Golf course search by state

<http://golfingnear.com>

Email search by domain

<http://emailbydomain.com>

Auto manuals search

<http://auto.somanuals.com>

TV manuals search

<http://tv.somanuals.com>