

# OPERATOR'S MANUAL

# 651500-X

**INCLUDING: OPERATION, INSTALLATION AND MAINTENANCE.**

INCLUDE MANUALS: Form 772-2 Safety Precautions (pn 97999-540).

RELEASED: 2-12-82

REVISED: 3-23-11

(REV. D)

## 651500-X HIGH PRESSURE SPRAY GUN



**READ THIS MANUAL CAREFULLY BEFORE INSTALLING,  
OPERATING OR SERVICING THIS EQUIPMENT.**

It is the responsibility of the employer to place this information in the hands of the operator. Keep for future reference.

**MAXIMUM WORKING PRESSURE 7500 P.S.I. (517.2 BAR)**

### SERVICE KITS

Use only genuine ARO® replacement parts to assure compatible pressure rating and longest service life.  
61240 for repair of spray gun.

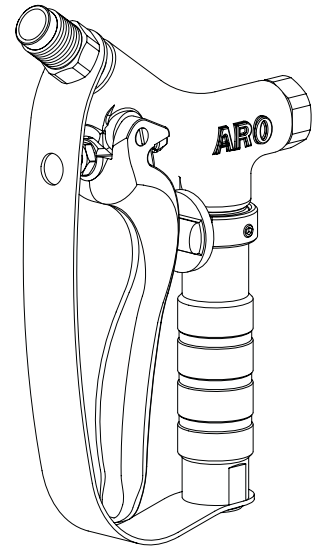
### OPERATION

The 651500-X control handle passes material at line pressure in a continuous flow. The hose connection is a 3/8" female pipe thread. The control handle will continue to pass material as long as the (15) lever is squeezed enough to lift the ball valve off the valve seat.

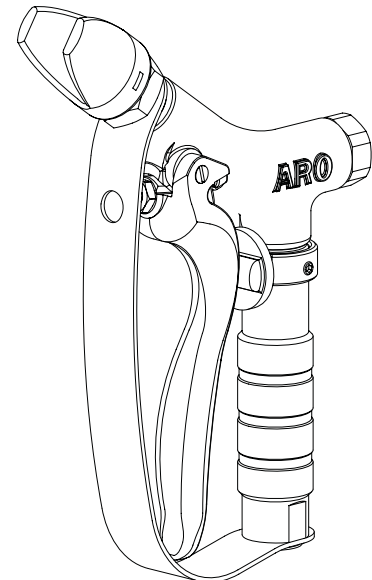
### SERVICE INSTRUCTIONS

For adjustments of the 651500-X control handle, the following procedure will help.

1. To take slack out of the handle, adjust (8) set screw.
  - a. Loosen (9) nut.
  - b. Adjust (8) set screw to obtain desired play or slack.
  - c. Tighten (9) nut.
2. Should material leak from the lever end of the gun, remove the lever and tighten (11) retainer. If this does not stop the leak, remove the retainer and replace the (13) packings.
3. Should you be unable to stop the flow of material from the extrusion gun, the (16) ball is probably not seating properly into the (3) ball seat. The ball should be removed and inspected for dirt or nicks. Also inspect the ball seat for dirt or nicks. If the ball or ball seat are damaged, they should be replaced. When pressing (3) insert and ball seat into place inside (18) body, make sure that the ball seat is facing in the proper direction. The material outlet of the insert must be in line with the outlet in the (18) body after being pressed into place.



**651500  
651500-2  
EXTRUSION GUN  
(less nozzle)**



**651500-1  
651500-3  
SPRAY GUN  
(less tip)**

**INGERSOLL RAND COMPANY LTD**  
209 NORTH MAIN STREET -BRYAN, OHIO 43506  
(800) 495-0276 • FAX (800) 892-6276  
www.ingersollrandproducts.com

© 2011

CCN 99711202

# ARO

**IR** Ingersoll Rand  
Industrial Technologies

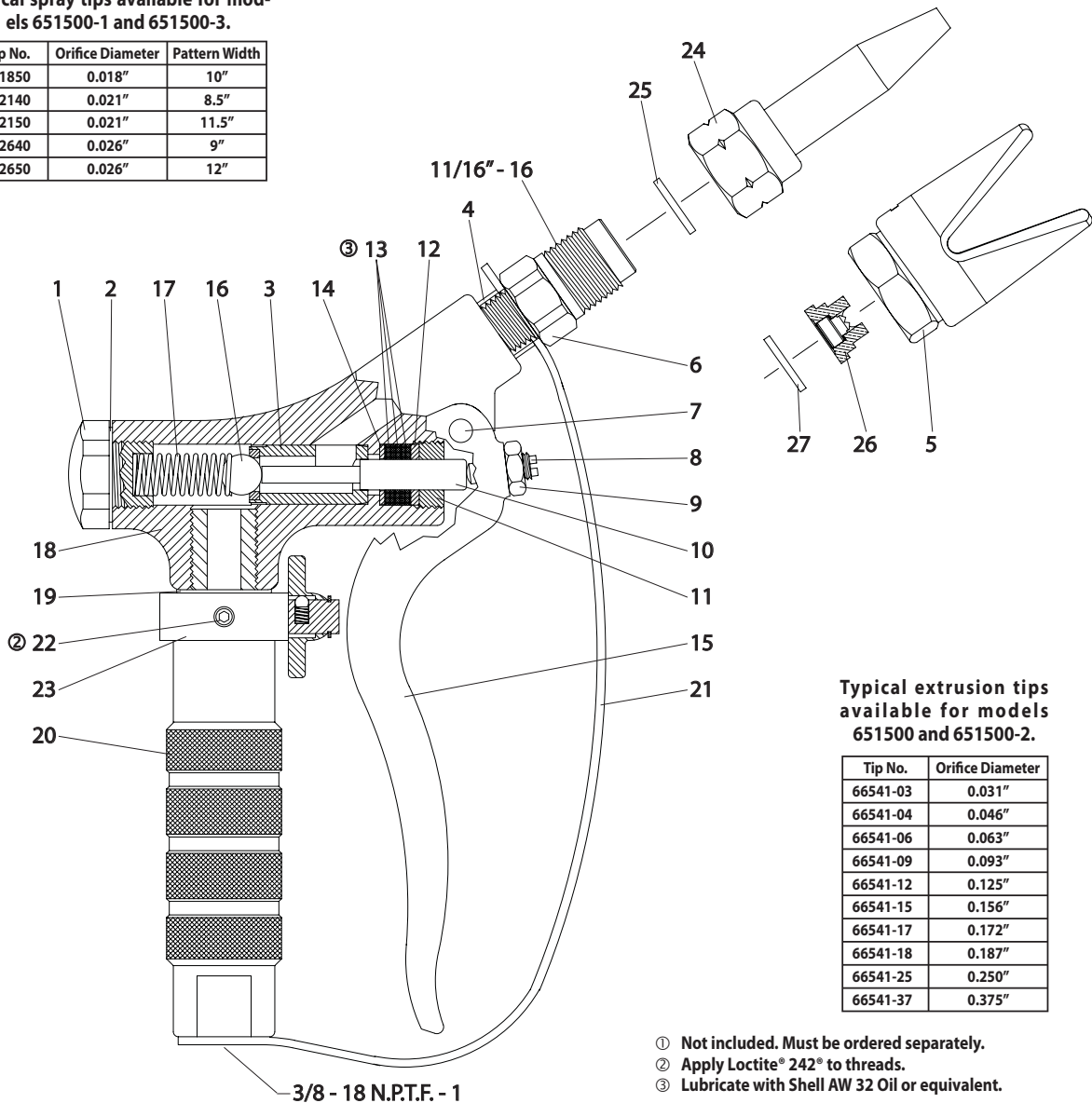
## PARTS LIST / 651500-X CONTROL HANDLE

Item	Description (size)	(Qty)	Part No.
1	Cap	(1)	90395
✓ 2	Gasket	(1)	F21-23
✓ 3	Valve and Ball Seat Insert Assembly	(1)	65732
4	Sleeve	(1)	90332
5	Cap and Guard Assembly (651500-1 only)	(1)	66504
6	Adapter (651500 and 651500-1 only)	(1)	76751
	(651500-2 only)	(1)	32854
7	Pin	(1)	2487
8	Set Screw	(1)	2484
9	Nut (1/4" - 28)	(1)	Y11-104-C
✓ 10	Piston Assembly	(1)	65896
11	Retainer	(1)	76886
12	Washer	(1)	F174-9
✓ 13	Packing	(3)	F26-35
14	Washer	(1)	F15-64

Item	Description (size)	(Qty)	Part No.
15	Lever	(1)	2661
✓ 16	Ball	(1)	90399
✓ 17	Spring	(1)	76948
18	Body and Bushing Assembly	(1)	65752
✓ 19	Gasket	(1)	F21-23
20	Handle	(1)	4880
21	Trigger Guard	(1)	90371
22	Set Screw (#10 - 32 x 3/16") (included with item 23)	(3)	Y23-101
23	Knob Assembly	(1)	66534
① 24	Extrusion Nozzle & Retaining Nut Ass'y	(1)	66541-XX
① 25	Washer	(1)	75815
① 26	Spray Tip	(1)	TC-XXXX
① 27	Washer	(1)	91181
✓	Items included in Service Kit		61240

Typical spray tips available for models 651500-1 and 651500-3.

Tip No.	Orifice Diameter	Pattern Width
TC-1850	0.018"	10"
TC-2140	0.021"	8.5"
TC-2150	0.021"	11.5"
TC-2640	0.026"	9"
TC-2650	0.026"	12"



Typical extrusion tips available for models 651500 and 651500-2.

Tip No.	Orifice Diameter
66541-03	0.031"
66541-04	0.046"
66541-06	0.063"
66541-09	0.093"
66541-12	0.125"
66541-15	0.156"
66541-17	0.172"
66541-18	0.187"
66541-25	0.250"
66541-37	0.375"

- ① Not included. Must be ordered separately.
- ② Apply Loctite® 242® to threads.
- ③ Lubricate with Shell AW 32 Oil or equivalent.

• ARO® is a registered trademark of Ingersoll-Rand Company •  
 • Loctite® and 242® are registered trademarks of Henkel Loctite Corporation •

## Free Manuals Download Website

<http://myh66.com>

<http://usermanuals.us>

<http://www.somanuals.com>

<http://www.4manuals.cc>

<http://www.manual-lib.com>

<http://www.404manual.com>

<http://www.luxmanual.com>

<http://aubethermostatmanual.com>

Golf course search by state

<http://golfingnear.com>

Email search by domain

<http://emailbydomain.com>

Auto manuals search

<http://auto.somanuals.com>

TV manuals search

<http://tv.somanuals.com>