

615019-X and 615020-X DRUM COVER DRAINS

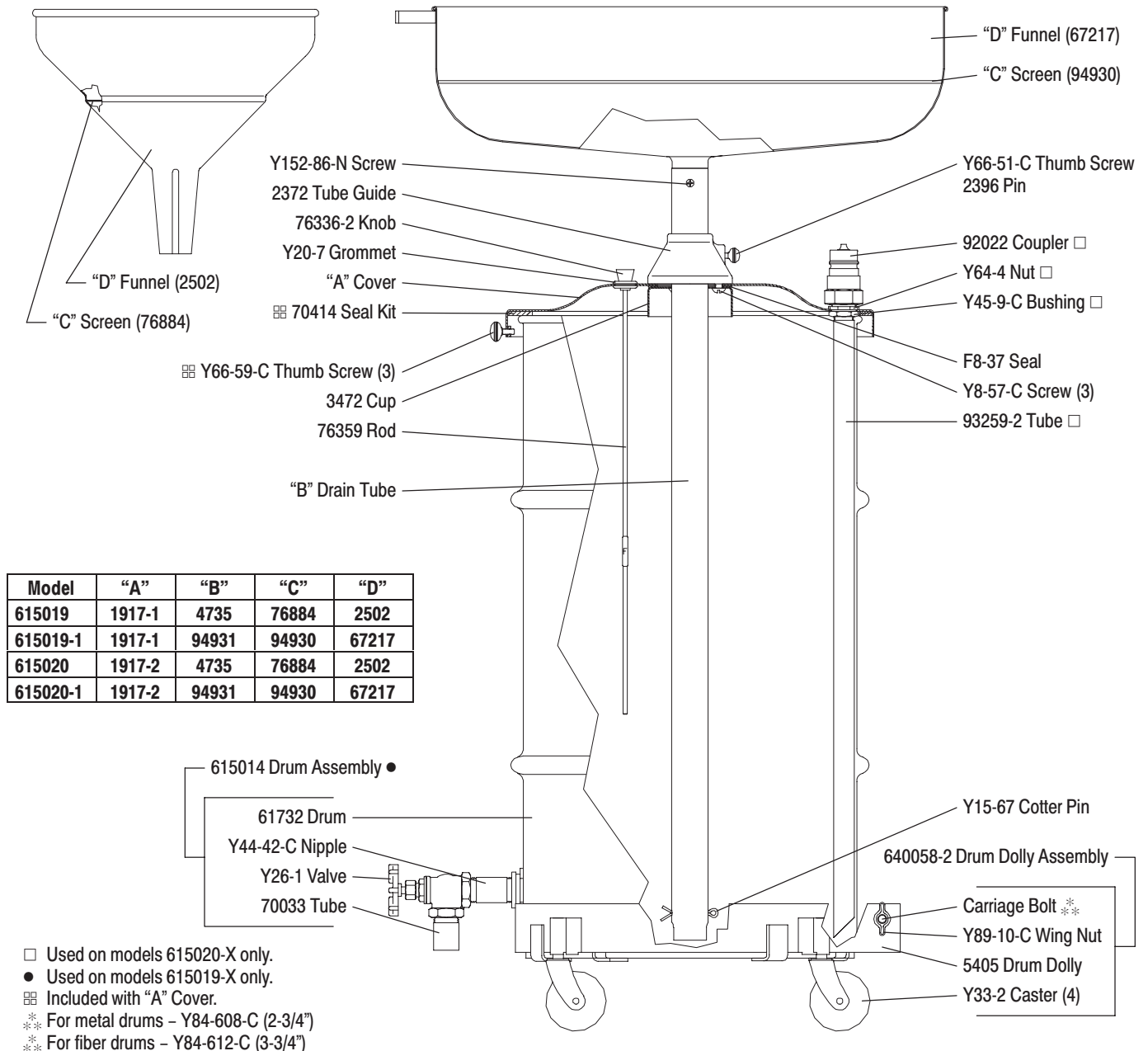
MODEL DESCRIPTION

615019 and 615020 Standard Funnel
 615019-1 and 615020-1 Extra Wide Funnel

OPERATION

To raise or lower the funnel: Grasp the upper portion of the drain tube, loosen the thumb screw and raise the funnel and drain tube to the desired height. Tighten the thumb screw and release grasp on tube.

Dip gauge: When the oil level in the drum reaches the "F" mark on the dip gauge, it is time to empty or drain the drum.



Model	"A"	"B"	"C"	"D"
615019	1917-1	4735	76884	2502
615019-1	1917-1	94931	94930	67217
615020	1917-2	4735	76884	2502
615020-1	1917-2	94931	94930	67217

- Used on models 615020-X only.
- Used on models 615019-X only.
- ⊞ Included with "A" Cover.
- *** For metal drums - Y84-608-C (2-3/4")
- *** For fiber drums - Y84-612-C (3-3/4")

PN 97999-839

ARO

INGERSOLL-RAND COMPANY
 ONE ARO CENTER • BRYAN, OHIO 43506-0151
 ☎ (419) 636-4242 • FAX (419) 633-1674

©1999 • PRINTED IN U.S.A.

INGERSOLL-RAND
FLUID PRODUCTS

Free Manuals Download Website

<http://myh66.com>

<http://usermanuals.us>

<http://www.somanuals.com>

<http://www.4manuals.cc>

<http://www.manual-lib.com>

<http://www.404manual.com>

<http://www.luxmanual.com>

<http://aubethermostatmanual.com>

Golf course search by state

<http://golfingnear.com>

Email search by domain

<http://emailbydomain.com>

Auto manuals search

<http://auto.somanuals.com>

TV manuals search

<http://tv.somanuals.com>