



16607103
Edition 5
October 2008

Multiple Spindle Fixtures

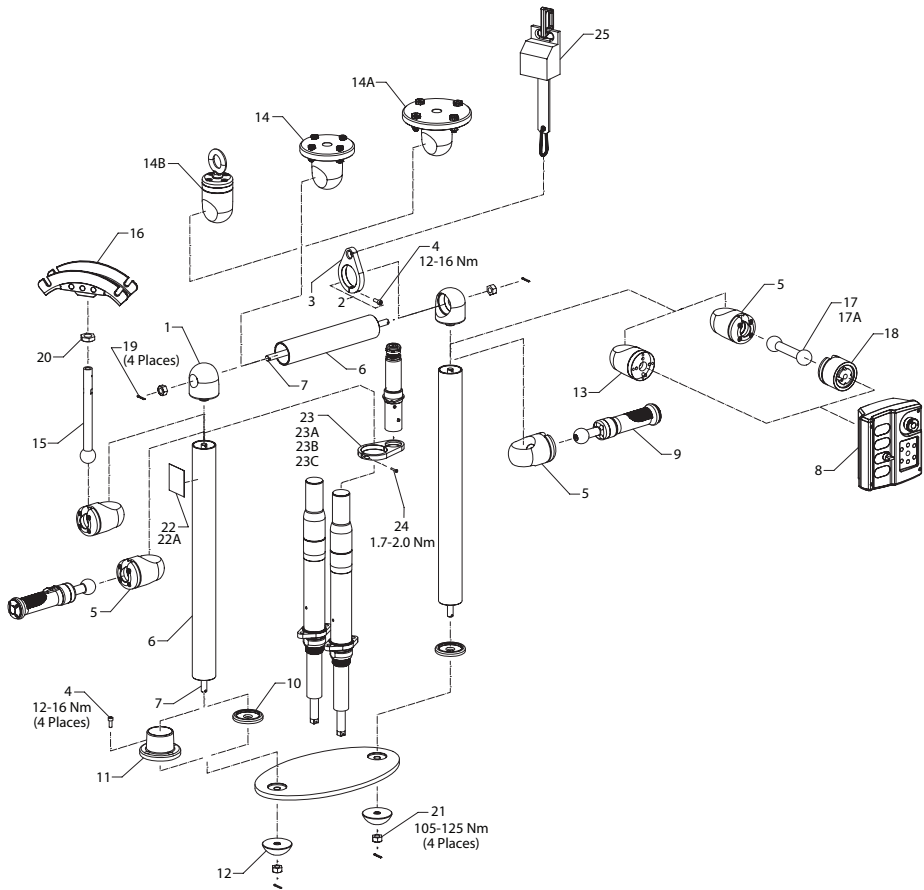
Parts Information



Save These Instructions



Double Tube Vertical Fixture Exploded Diagram



(Dwg. 16603730)

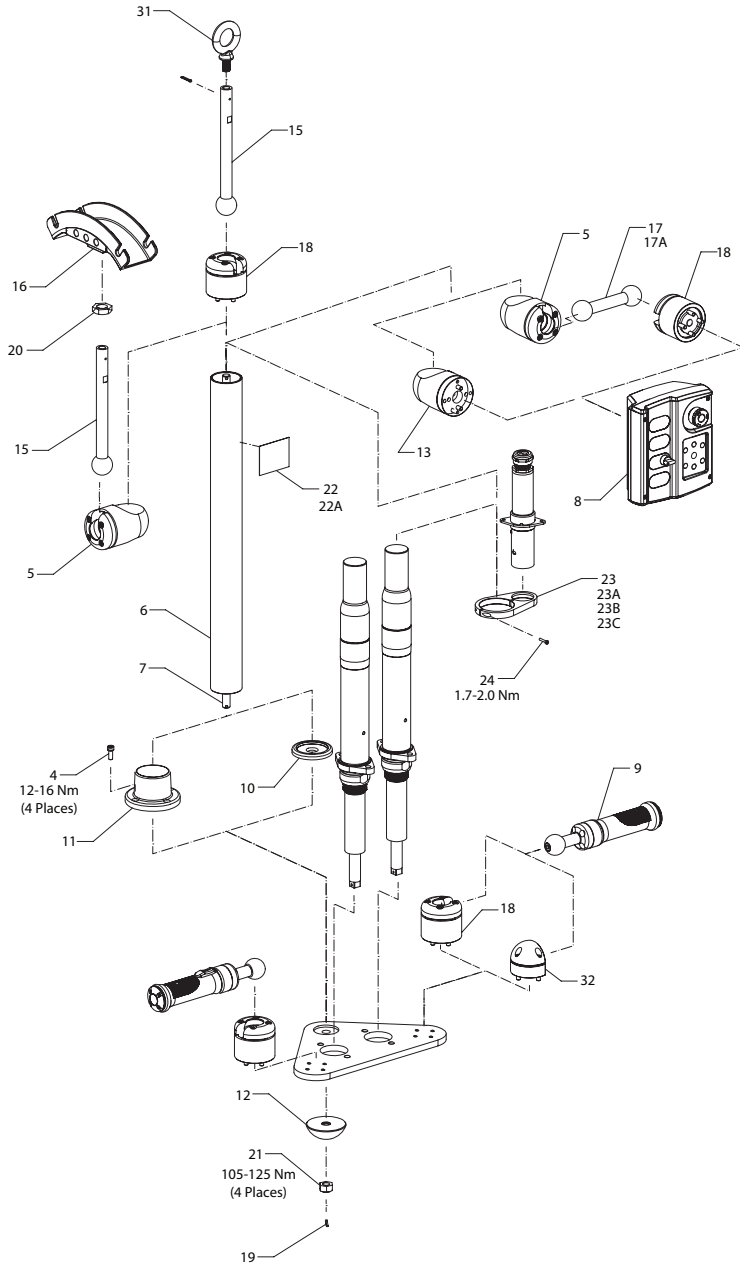
Double Tube Vertical Fixture Parts List

Table-1

Item	Description	Part Number
1	Tube Elbow Joint	QMM-712
2	Redundant Eye Assembly	QMM-A463
3	Redundant Eye	QMM-463-2
4	Cap Head Screw (M6 x 1 x 16)	QMM-F1-638
5	Tube Holder Assembly	QMM-A30
6	Tube- Standard 1 Meter	QMM-809-1M
7	Tie Rod-Standard 1 Meter	QMM-763-1M
8	Control Panel (See Table 10 for more details)	---
9	Handle (See Table 8 for more details)	---
10	Tube Bracket Vertical	QMMV-601
11	Tube Bracket Horizontal	QMM-601
12	Spherical Washer	QMM-248
13	Control Panel Mount Assembly	QMML-A763
14	Suspension Joint-100 Nm	QMM-TA
14A	Suspension Joint-500 Nm	QMM-TAA
14B	Suspension Joint-Eye Bolt	QMM-T
15	Ball End Shaft	QMM-221-763
16	Cable Tray	QMM-221
17	Ball to Ball Shaft-Short	QMM-696-100
17A	Ball to Ball Shaft-Long	QMM-696-200
18	Flat/Tube Holder Assembly	QMM-A208
19	Cotter Pin	QMM-15
20	Lock Nut	QMM-582
21	Hex. Nut (M12 x 1.75)	QMM-H1-638
22	QMM Warning Label	QMM-99
22A	QMM Branding Label	QMM-301
23	POD Mounting Bracket for Tube	QMM-765-T
23A	POD Mounting Bracket for QM9 Motor	QMM-765-9
23B	POD Mounting Bracket for QM7 Motor	QMM-765-7
23C	POD Mounting Bracket for QM5 Motor	QMM-765-5
24	Cap Head Screw (M3 x 0.5 x 16)	QMM-765-638
*25	Retractable Strap (120 Kg Max.)	QMM-298

* Optional

Single Tube Vertical Fixture Exploded Diagram



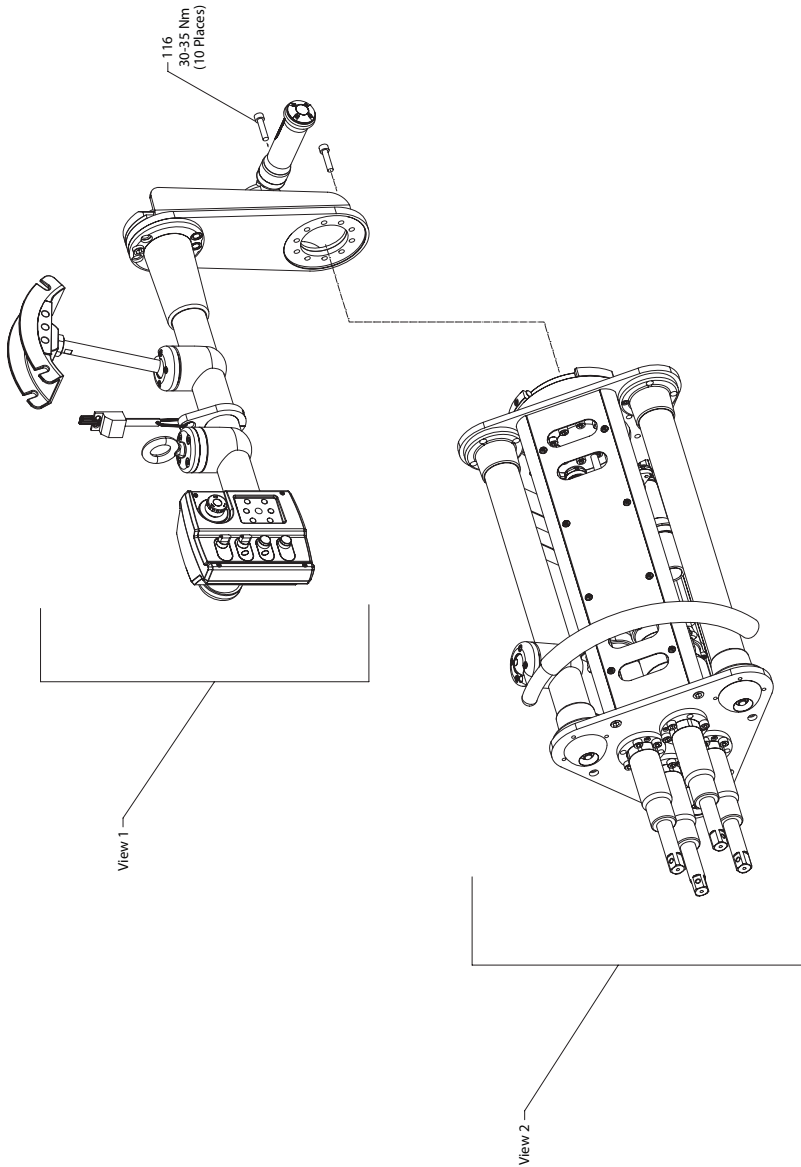
(Dwg. 16605271)

Single Tube Vertical Fixture Parts List

Table-2

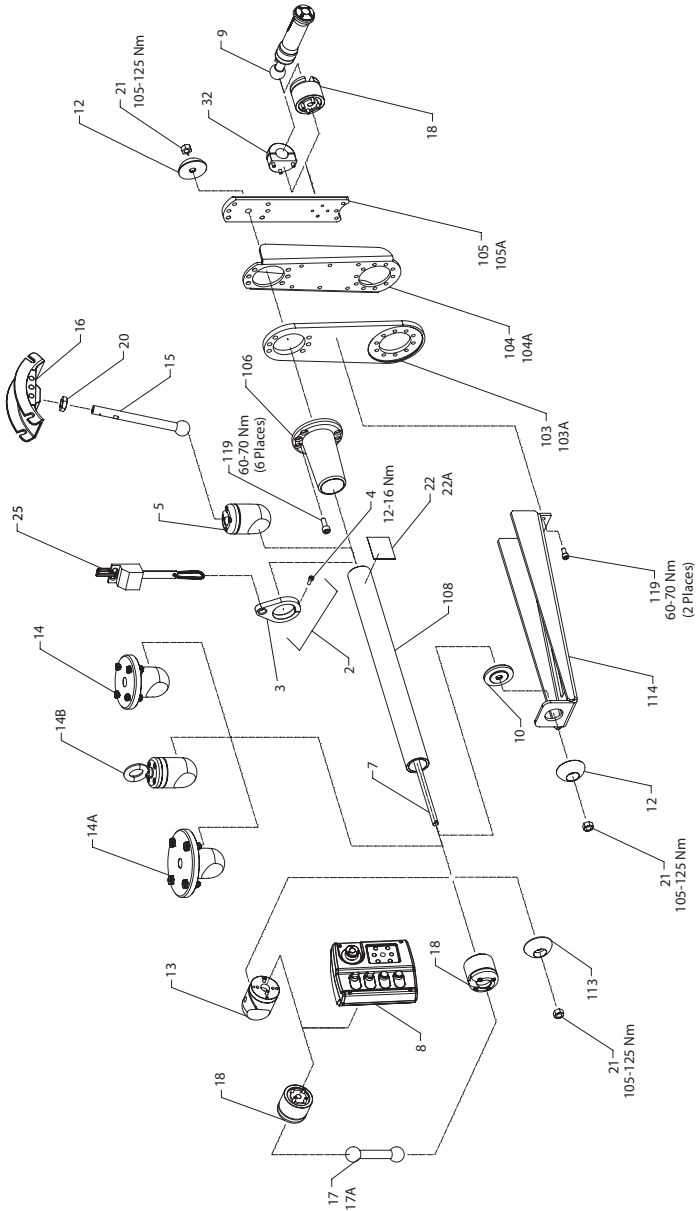
Item	Description	Part Number
4	Cap Head Screw (M6 x 1 x 16)	QMM-F1-638
5	Tube Holder Assembly	QMM-A30
6	Tube-Standard 1 Meter	QMM-809-1M
7	Tie Rod-Standard 1 Meter	QMM-763-1M
8	Control Panel (See Table 10 for more details)	---
9	Handle (See Table 8 for more details)	---
10	Tube Bracket Vertical	QMMV-601
11	Tube Bracket Horizontal	QMM-601
12	Spherical Washer	QMM-248
13	Control Panel Mount Assembly	QMML-A763
15	Ball End Shaft	QMM-221-763
16	Cable Tray	QMM-221
17	Ball to Ball Shaft-Short	QMM-696-100
17A	Ball to Ball Shaft-Long	QMM-696-200
18	Flat/Tube Holder Assembly	QMM-A208
19	Cotter Pin	QMM-15
20	Lock Nut	QMM-582
21	Hex. Nut (M12 x 1.75)	QMM-H1-638
22	QMM Warning Label	QMM-99
22A	QMM Branding Label	QMM-301
23	POD Mounting Bracket for Tube	QMM-765-T
23A	POD Mounting Bracket for QM9 Motor	QMM-765-9
23B	POD Mounting Bracket for QM7 Motor	QMM-765-7
23C	POD Mounting Bracket for QM5 Motor	QMM-765-5
24	Cap Head Screw (M3 x 0.5 x 16)	QMM-765-638
31	Eye Bolt (M12 x 1.75)	QMM-34
32	Plate Holder Assembly	QMM-A293

Horizontal Rotate Exploded Diagram



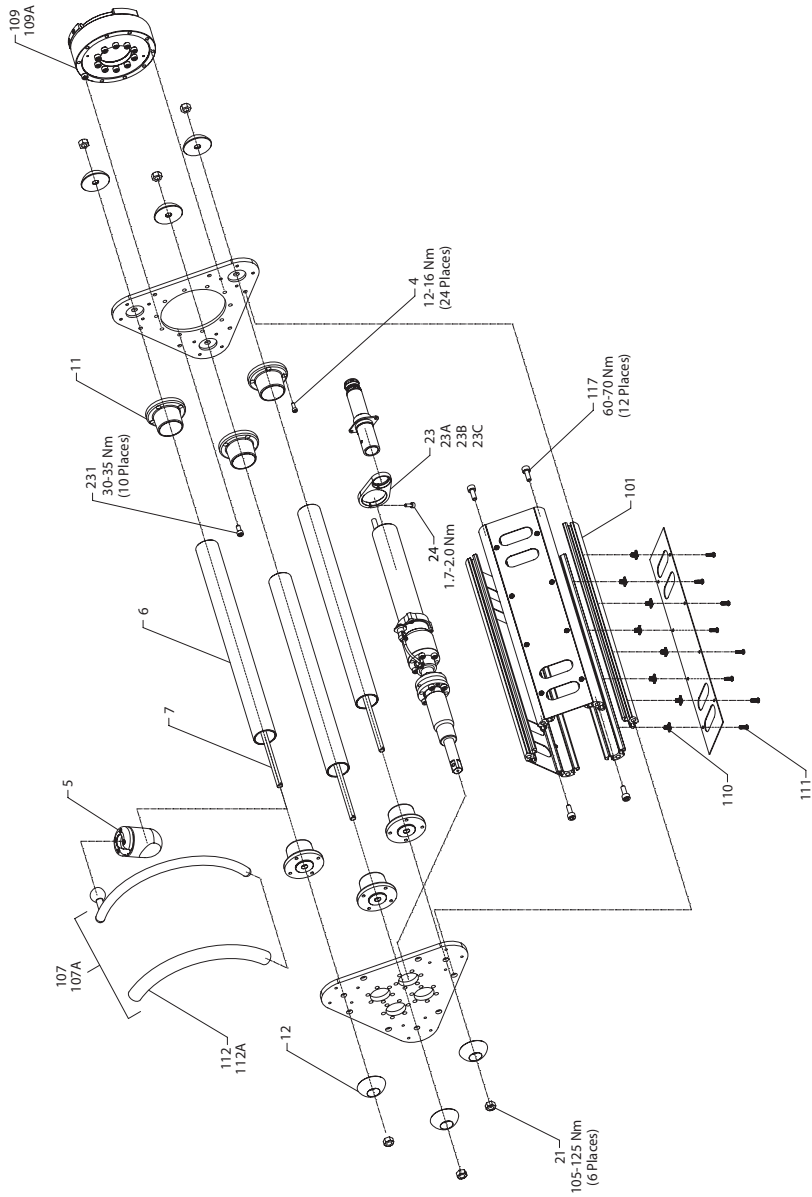
(Dwg. 16604854_SH1)

Horizontal Rotate Exploded Diagram View-1



(Dwg. 16604854_SH2)

Horizontal Rotate Exploded Diagram View-2



(Dwg.16604854_SH3)

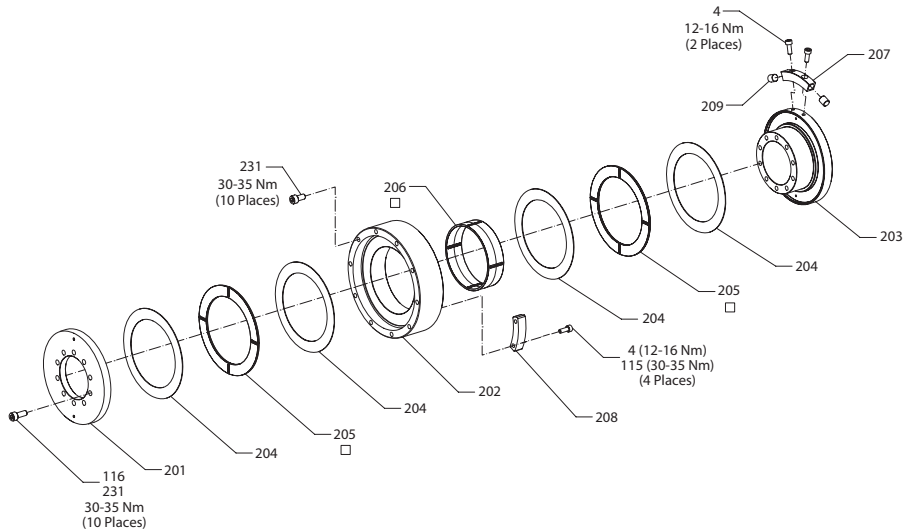
Horizontal Rotate Parts List

Table-3

Item	Description	Part Number
2	Redundant Eye Assembly	QMM-A463
3	Redundant Eye	QMM-463-2
4	Cap Head Screw (M6 x 1 x 16)	QMM-F1-638
5	Tube Holder Assembly	QMM-A30
6	Tube- Standard 1 Meter	QMM-809-1M
7	Tie Rod-Standard 1 Meter	QMM-763-1M
8	Control Panel (See Table 10 for more details)	---
9	Handle (See Table 8 for more details)	---
10	Tube Bracket Vertical	QMMV-601
11	Tube Bracket Horizontal	QMM-601
12	Spherical Washer	QMM-248
13	Control Panel Mount Assembly	QMML-A763
14	Suspension Joint-100 Nm	QMM-TA
14A	Suspension Joint-500 Nm	QMM-TAA
14B	Suspension Joint-Eye Bolt	QMM-T
15	Ball End Shaft	QMM-221-763
16	Cable Tray	QMM-221
17	Ball to Ball Shaft-Short	QMM-696-100
17A	Ball to Ball Shaft-Long	QMM-696-200
18	Flat/Tube Holder Assembly	QMM-A208
20	Lock Nut	QMM-582
21	Hex. Nut (M12 x 1.75)	QMM-H1-638
22	QMM Warning Label	QMM-99
22A	QMM Branding Label	QMM-301
23	POD Mounting Bracket for Tube	QMM-765-T
23A	POD Mounting Bracket for QM9 Motor	QMM-765-9
23B	POD Mounting Bracket for QM7 Motor	QMM-765-7
23C	POD Mounting Bracket for QM5 Motor	QMM-765-5
24	Cap Head Screw (M3 x 0.5 x 16)	QMM-765-638
*25	Retractable Strap (120 Kg Max.)	QMM-298
32	Plate Holder Assembly	QMM-A293
101	Corner Spacer-1 Meter	QMM-93-1M
103	Back Plate for Small Bearing Assembly	QMMR-28C
103A	Back Plate for Large Bearing Assembly	QMMR-28
104	Back Plate Rib for Small Bearing Assembly	QMMR-767C
104A	Back Plate Rib for Large Bearing Assembly	QMMR-767
105	Redundant Back Plate for Small Bearing Assembly	QMMR-765C
105A	Redundant Back Plate for Large Bearing Assembly	QMMR-765
106	Suspension Tube Bracket	QMM-602
107	Circular Handle for Small Bearing Assembly	QMMR-A48C
107A	Circular Handle for Large Bearing Assembly	QMMR-A48
108	Suspension Tube-Standard 1 Meter	QMM-810-1M
109	Small Bearing Assembly	QMMR-A24C
109A	Large Bearing Assembly	QMMR-A24
110	Channel Nut (M6)	QMMR-A305
111	Button Head Screw (M6)	QMMR-638
112	Grip-Circular Handle for Small Bearing Assembly	QMMR-144GC
112A	Grip-Circular Handle for Large Bearing Assembly	QMMR-144G
113	Tube End Cap	QMM-202
114	Suspension Support	QMMR-766
116	Cap Head Screw (M8 x 1.25 x 25)	QMM-T6-638
117	Cap Head Screw (M10 x 1.5 x 25)	QMM-F8-638
119	Cap Head Screw (M10 x 1.5 x 35)	QMM-F10-638
231	Cap Head Screw (M8 x 1.25 x 20)	QMM-T3-638

* Optional

Bearing Assembly Exploded Diagram



(Dwg. 16608945)

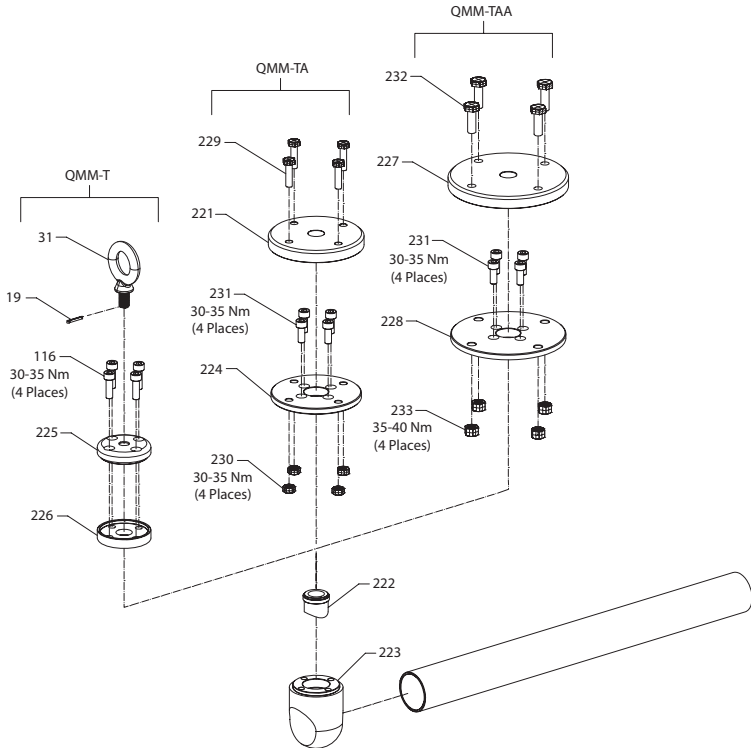
Apply Grease IR # 222

Bearing Assembly Parts List

Table-4

Item	Description	Small Bearing Assembly	Large Bearing Assembly
		Part Number	
*	Bearing Assembly	QMMR-A24C	QMMR-A24
4	Cap Head Screw (M6 x 1 x 16)	QMM-F1-638	QMM-F1-638
115	Cap Head Screw (M8 x 1.25 x 16)	---	QMM-F2-638
116	Cap Head Screw (M8 x 1.25 x 25)	---	QMM-T6-638
201	Side Housing	QMMR-24-41-C	QMMR-24-41
202	Rotating Part	QMMR-24-53-C	QMMR-24-53
203	Housing Main	QMMR-24-40-C	QMMR-24-40
204	Thin Thrust Washer	QMMR-246-C	QMMR-246
205	Thrust Bearing	QMMR-24-C	QMMR-24
206	Needle Cage Bearing	QMMR-25-C	QMMR-25
207	Stationary Stop Part	QMM-373-C	QMM-373
208	Rotary Stop Part	QMM-729-C	QMM-729
209	Nylon Contact for Stop Mechanism	QMM-47	QMM-47
231	Cap Head Screw (M8 x1.25 x 20)	QMM-T3-638	QMM-T3-638

Suspension Assemblies Exploded Diagram



(Dwg. 16609075)

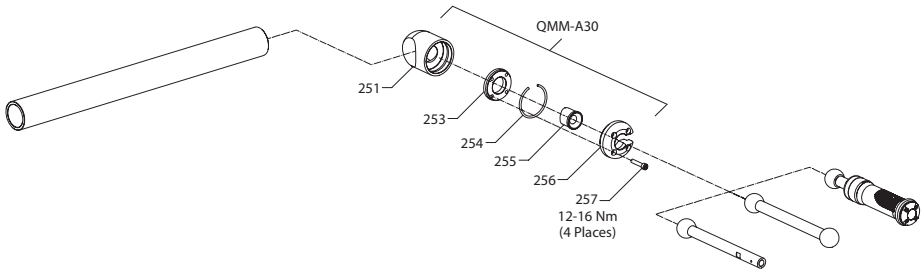
Suspension Assemblies Parts List

Table-5

Item	Description	Suspension Joint with Eye Bolt	Suspension Joint with IR Torque Tube 100 Nm	Suspension Joint with IR Torque Tube 500 Nm
		Part Number		
*	Suspension Assembly	QMM-T	QMM-TA	QMM-TAA
19	Cotter Pin	QMM-15	---	---
31	Eyebolt M12 x 1.75	QMM-34	---	---
116	Cap Head Screw (M8 x 1.25 x 25)	QMM-T6-638	---	---
221	Adaptor Top Plate-100	---	QMM-T1	---
222	Tube Shuttle	QMM-T2	QMM-T2	QMM-T2
223	Suspension Holder	QMM-T3	QMM-T3	QMM-T3
224	Adaptor Middle Plate-100	---	QMM-T4	---
225	Adaptor Plate Eye	QMM-T5	---	---
226	Spacer	QMM-T6	---	---
227	Adaptor Top Plate-500	---	---	QMM-T7
228	Adaptor Middle Plate-500	---	---	QMM-T8
229	Hex. Head Bolt (M8 x 1.25 x 25)	---	QMM-T1-638	---
230	Hex. Nut (M8 x 1.25)	---	QMM-T4-638	---
231	Cap Head Screw (M8 x 1.25 x 20)	---	QMM-T3-638	QMM-T3-638
232	Hex. Head Bolt (M10 x 1.5 x 30)	---	---	QMM-T7-638
233	Hex. Nut (M10 x 1.5)	---	---	QMM-T8-638

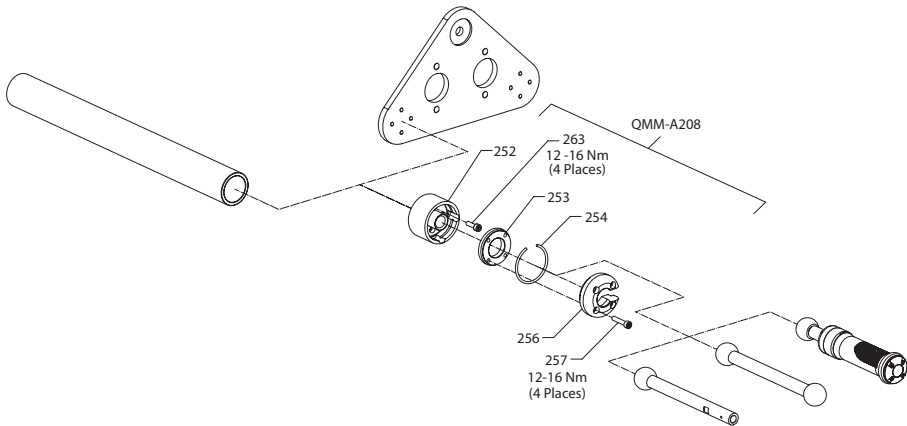
Ball Holder Assemblies

Tube Holder Assembly Exploded Diagram



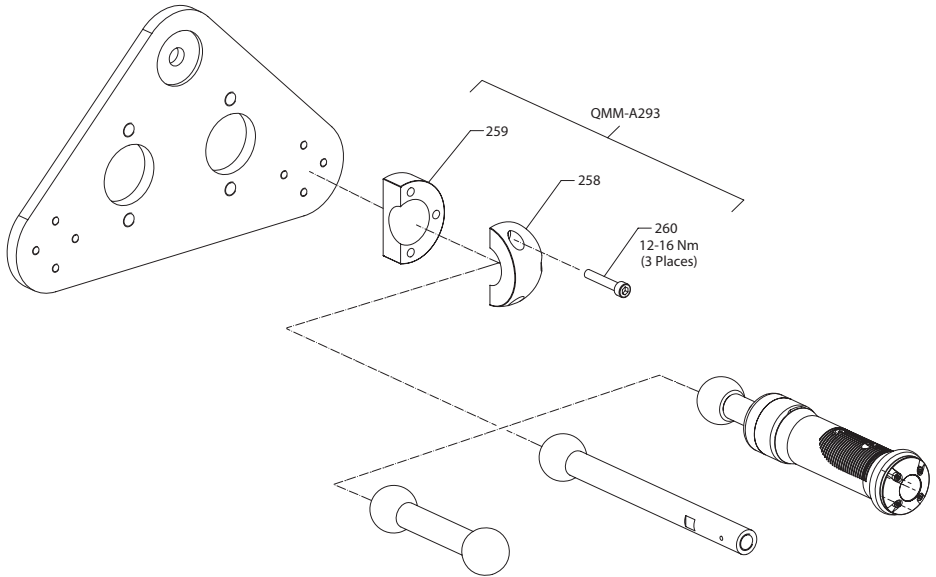
(Dwg. 16608986)

Flat/Tube Holder Assembly Exploded Diagram



(Dwg. 16608952)

Plate Holder Assembly Exploded Diagram



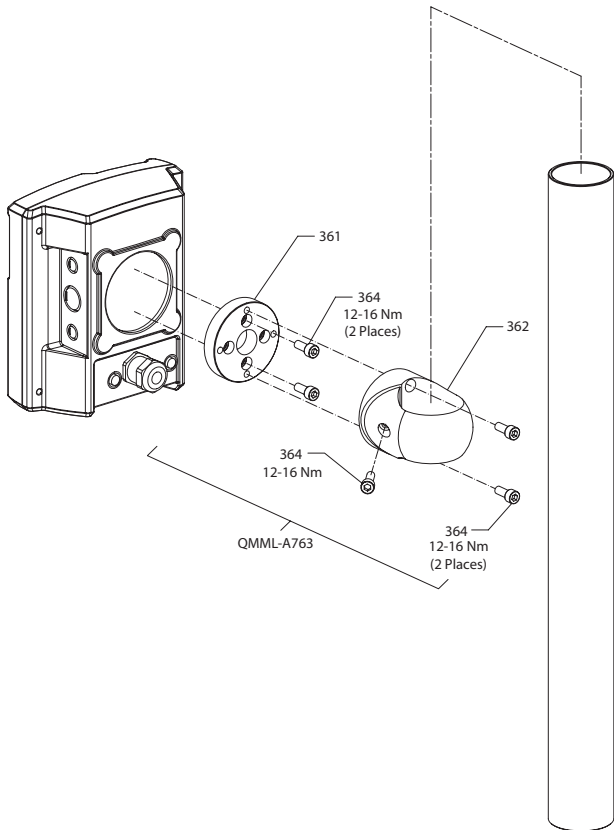
(Dwg. 16608937)

Ball Holder Assemblies Parts List

Table-6

Item	Description	Part Number		
		QMM-A30	QMM-A208	QMM-A293
*	Holder Assembly			
251	Holder	QMM-208-2	---	---
252	Tube End Holder	---	QMM-208-1	---
253	Nut Plate	QMM-338	QMM-338	---
254	Internal Ring Round Wire	QMM-18	QMM-18	---
255	Ball Shuttle	QMM-30	QMM-30	---
256	Socket Ring	QMM-118	QMM-118	---
257	Cap Head Screw (M6 x 1 x 30)	QMM-F6-638	QMM-F6-638	---
258	Plate to Ball-Top	---	---	QMM-293-1
259	Plate to Ball-Bottom	---	---	QMM-293-2
260	Cap Head Screw (M6 x 1 x 35)	---	---	QMM-F7-638
263	Cap Head Screw (M6 x 1 x 20)	---	QMM-F4-638	---

Control Panel Mount Assembly Exploded Diagram



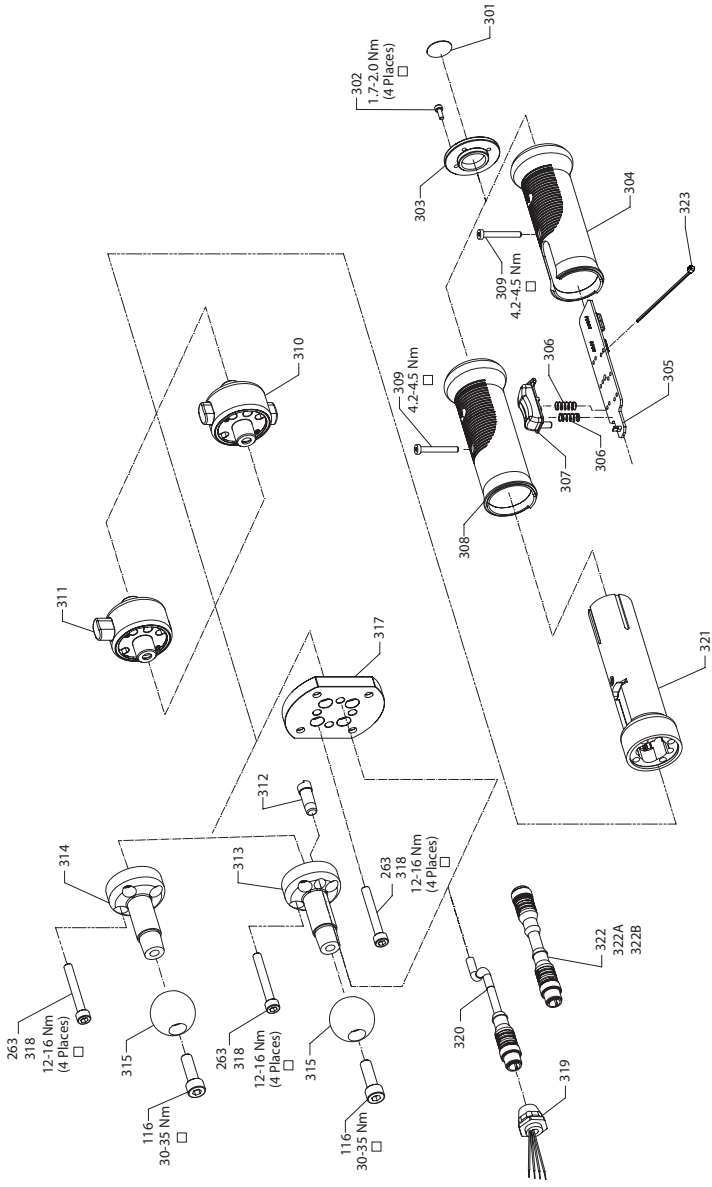
(Dwg. 16608978)

Control Panel Mount Assembly Parts List

Table-7

Item	Description	Part Number
	Flat Holder Assembly	QMML-A763
361	Control Panel Mount Plate	QMML-118
362	Control Panel Mount Tube Holder	QMML-763
364	Cap Head Screw (M6 x 1 x 15)	QMM-F5-638

QMM Handle Assembly Exploded Diagram



(Dwg. 16602930)

□ Apply Serviceable Thread Locker

QMM Handle Parts List

Handle Assembly with Ball Joint Mounting Options

(Refer P1 manual #16607228 for detailed description on handle configurations)

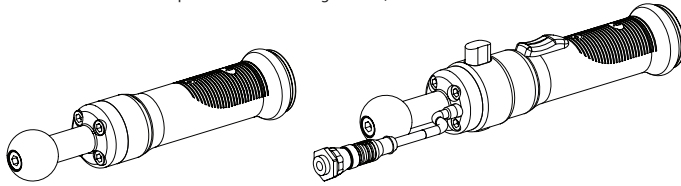


Table-8.1

Item	Description	Part Number			
*	Handle Assembly	QMMHB	QMMHBT	QMMHBD	QMMHBM
116	Cap Head Screw (M8 x 1.25 x 25)	QMM-T6-638	QMM-T6-638	QMM-T6-638	QMM-T6-638
263	Cap Head Screw (M6 x 1 x 20)	QMM-F4-638	QMM-F4-638	---	---
301	Handle Label Kit	QMMH-301	QMMH-301	QMMH-301	QMMH-301
302	Cap Head Screw (M3 x 0.5 x 8)	QMMH-CAP-638	QMMH-CAP-638	QMMH-CAP-638	QMMH-CAP-638
303	Handle End Cap	QMMH-202	QMMH-202	QMMH-202	QMMH-202
304	Grip-Throttle Handle	---	GEA40-135	---	---
305	Handle Main PCB Assembly	---	QMMH-A499-2	QMMH-A499-2	QMMH-A499-2
306	Spring	---	GEA40-273-51	---	---
307	Trigger	---	GEA40-273	---	---
308	Grip-Dead Handle	QMMH-40-135	---	QMMH-40-135	QMMH-40-135
309	Low Cap Head Screw (M4 x 0.7 x 30)	QMMH-GRIP-638	QMMH-GRIP-638	QMMH-GRIP-638	QMMH-GRIP-638
310	Switch Assembly-Momentary	---	---	---	QMMH-1-D74
311	Switch Assembly-Detent	---	---	QMMH-1-D75	---
312	Strain Reliever	---	QMMH-565	QMMH-565	QMMH-565
313	Bracket-Throttle Handle	---	QMMH-900	QMMH-900	QMMH-900
314	Bracket-Dead Handle	QMMH-900-D	---	---	---
315	End Ball	QMMH-629	QMMH-629	QMMH-629	QMMH-629
317	Handle Flat Mount Flange	---	---	---	---
318	Cap Head Screw (M6 x 1 x 45)	---	---	QMM-F11-638	QMM-F11-638
319	Receptacle	---	QMMC-45	QMMC-45	QMMC-45
320	Plug-(Cord Length 2 Meter)	---	QMMC-56	QMMC-56	QMMC-56
321	Handle Grip Housing	QMMH-40	QMMH-40	QMMH-40	QMMH-40
323	Cable Tie	---	EE9-200	EE9-200	EE9-200

Table-8.1 (Continued)

Item	Description	Part Number			
*	Handle Assembly	QMMHBTDP	QMMHBTDA	QMMHBTMP	QMMHBTMA
116	Cap Head Screw (M8 x 1.25 x 25)	QMM-T6-638	QMM-T6-638	QMM-T6-638	QMM-T6-638
263	Cap Head Screw (M6 x 1 x 20)	---	---	---	---
301	Handle Label Kit	QMMH-301	QMMH-301	QMMH-301	QMMH-301
302	Cap Head Screw (M3 x 0.5 x 8)	QMMH-CAP-638	QMMH-CAP-638	QMMH-CAP-638	QMMH-CAP-638
303	Handle End Cap	QMMH-202	QMMH-202	QMMH-202	QMMH-202
304	Grip-Throttle Handle	GEA40-135	GEA40-135	GEA40-135	GEA40-135
305	Handle Main PCB Assembly	QMMH-A499-2	QMMH-A499-2	QMMH-A499-2	QMMH-A499-2
306	Spring	GEA40-273-51	GEA40-273-51	GEA40-273-51	GEA40-273-51
307	Trigger	GEA40-273	GEA40-273	GEA40-273	GEA40-273
308	Grip-Dead Handle	---	---	---	---
309	Low Cap Head Screw (M4 x 0.7 x 30)	QMMH-GRIP-638	QMMH-GRIP-638	QMMH-GRIP-638	QMMH-GRIP-638
310	Switch Assembly-Momentary	---	---	QMMH-1-D74	QMMH-1-D74
311	Switch Assembly-Detent	QMMH-1-D75	QMMH-1-D75	---	---
312	Strain Reliever	QMMH-565	QMMH-565	QMMH-565	QMMH-565
313	Bracket-Throttle Handle	QMMH-900	QMMH-900	QMMH-900	QMMH-900
314	Bracket-Dead Handle	---	---	---	---
315	End Ball	QMMH-629	QMMH-629	QMMH-629	QMMH-629
317	Handle Flat Mount Flange	---	---	---	---
318	Cap Head Screw (M6 x 1 x 45)	QMM-F11-638	QMM-F11-638	QMM-F11-638	QMM-F11-638
319	Receptacle	QMMC-45	QMMC-45	QMMC-45	QMMC-45
320	Plug-(Cord Length 2 Meter)	QMMC-56	QMMC-56	QMMC-56	QMMC-56
321	Handle Grip Housing	QMMH-40	QMMH-40	QMMH-40	QMMH-40
323	Cable Tie	EE9-200	EE9-200	EE9-200	EE9-200

QMM Handle Parts List

Handle Assembly with Flange Mounting Options

(Refer PI manual #16607228 for detailed description on handle configurations)

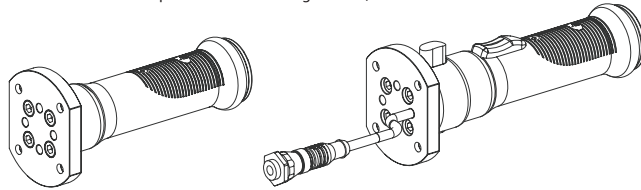


Table-8.2

Item	Description	Part Number			
*	Handle Assembly	QMMHF	QMMHFT	QMMHFD	QMMHFM
116	Cap Head Screw (M8 x 1.25 x 25)	---	---	---	---
263	Cap Head Screw (M6 x 1 x 20)	QMM-F4-638	QMM-F4-638	---	---
301	Handle Label Kit	QMMH-301	QMMH-301	QMMH-301	QMMH-301
302	Cap Head Screw (M3 x 0.5 x 8)	QMMH-CAP-638	QMMH-CAP-638	QMMH-CAP-638	QMMH-CAP-638
303	Handle End Cap	QMMH-202	QMMH-202	QMMH-202	QMMH-202
304	Grip-Throttle Handle	---	GEA40-135	---	---
305	Handle Main PCB Assembly	---	QMMH-A499-2	QMMH-A499-2	QMMH-A499-2
306	Spring	---	GEA40-273-51	---	---
307	Trigger	---	GEA40-273	---	---
308	Grip-dead Handle	QMMH-40-135	---	QMMH-40-135	QMMH-40-135
309	Low Cap Head Screw (M4 x 0.7 x 30)	QMMH-GRIP-638	QMMH-GRIP-638	QMMH-GRIP-638	QMMH-GRIP-638
310	Switch Assembly-Momentary	---	---	---	QMMH-1-D74
311	Switch Assembly-Detent	---	---	QMMH-1-D75	---
312	Strain Reliever	---	---	---	---
313	Bracket-Throttle Handle	---	---	---	---
314	Bracket-Dead Handle	---	---	---	---
315	End Ball	---	---	---	---
317	Handle Flat Mount Flange	QMMH-35	QMMH-35	QMMH-35	QMMH-35
318	Cap Head Screw (M6 x 1 x 45)	---	---	QMM-F11-638	QMM-F11-638
319	Receptacle	---	QMMC-45	QMMC-45	QMMC-45
320	Plug-(Cord Length 2 Meter)	---	QMMC-56	QMMC-56	QMMC-56
321	Handle Grip Housing	QMMH-40	QMMH-40	QMMH-40	QMMH-40
323	Cable Tie	---	EE9-200	EE9-200	EE9-200

Table-8.2 (Continued)

Item	Description	Part Number			
*	Handle Assembly	QMMHFTDP	QMMHFTDA	QMMHFTMP	QMMHFTMA
116	Cap Head Screw (M8 x 1.25 x 25)	---	---	---	---
263	Cap Head Screw (M6 x 1 x 20)	---	---	---	---
301	Handle Label Kit	QMMH-301	QMMH-301	QMMH-301	QMMH-301
302	Cap Head Screw (M3 x 0.5 x 8)	QMMH-CAP-638	QMMH-CAP-638	QMMH-CAP-638	QMMH-CAP-638
303	Handle End Cap	QMMH-202	QMMH-202	QMMH-202	QMMH-202
304	Grip-Throttle Handle	GEA40-135	GEA40-135	GEA40-135	GEA40-135
305	Handle Main PCB Assembly	QMMH-A499-2	QMMH-A499-2	QMMH-A499-2	QMMH-A499-2
306	Spring	GEA40-273-51	GEA40-273-51	GEA40-273-51	GEA40-273-51
307	Trigger	GEA40-273	GEA40-273	GEA40-273	GEA40-273
308	Grip-Dead Handle	---	---	---	---
309	Low Cap Head Screw (M4 x 0.7 x 30)	QMMH-GRIP-638	QMMH-GRIP-638	QMMH-GRIP-638	QMMH-GRIP-638
310	Switch Assembly-Momentary	---	---	QMMH-1-D74	QMMH-1-D74
311	Switch Assembly-Detent	QMMH-1-D75	QMMH-1-D75	---	---
312	Strain Reliever	---	---	---	---
313	Bracket-Throttle Handle	---	---	---	---
314	Bracket-Dead Handle	---	---	---	---
315	End Ball	---	---	---	---
317	Handle Flat Mount Flange	QMMH-35	QMMH-35	QMMH-35	QMMH-35
318	Cap Head Screw (M6 x 1 x 45)	QMM-F11-638	QMM-F11-638	QMM-F11-638	QMM-F11-638
319	Receptacle	QMMC-45	QMMC-45	QMMC-45	QMMC-45
320	Plug-(Cord Length 2 Meter)	QMMC-56	QMMC-56	QMMC-56	QMMC-56
321	Handle Grip Housing	QMMH-40	QMMH-40	QMMH-40	QMMH-40
323	Cable Tie	EE9-200	EE9-200	EE9-200	EE9-200

QMM Handle Parts List

Handle Assembly with Body Mount Options

(Refer PI manual #16607228 for detailed description on handle configurations)

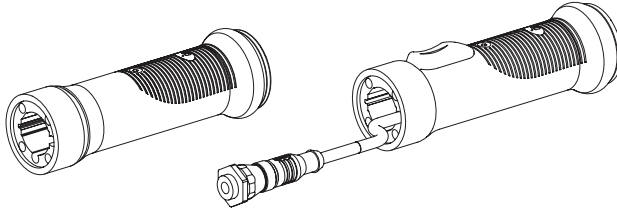


Table-8.3

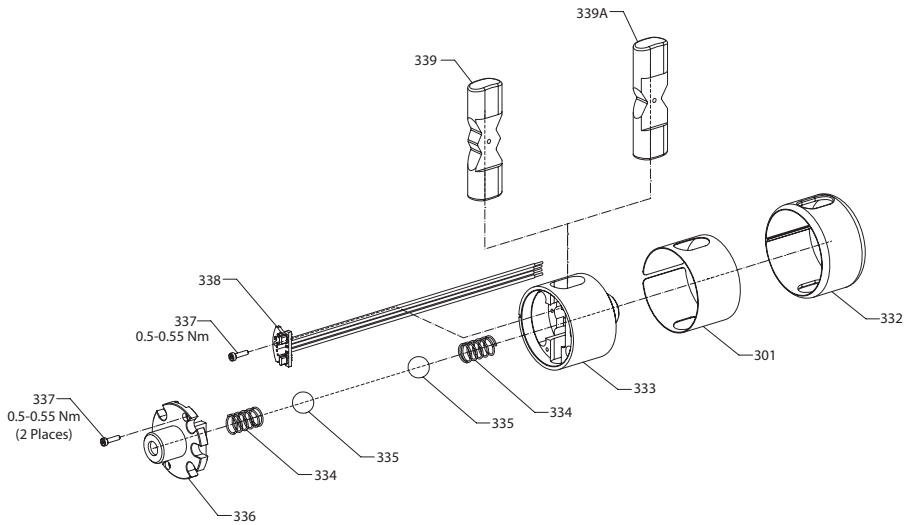
Item	Description	Part Number	
*	Handle Assembly	QMMH	QMMHT
116	Cap Head Screw (M8 x 1.25 x 25)	---	---
263	Cap Head Screw (M6 x 1 x 20)	QMM-F4-638	QMM-F4-638
301	Handle Label Kit	QMMH-301	QMMH-301
302	Cap Head Screw (M3 x 0.5 x 8)	QMMH-CAP-638	QMMH-CAP-638
303	Handle End Cap	QMMH-202	QMMH-202
304	Grip-Throttle Handle	---	GEA40-135
305	Handle Main PCB Assembly	---	QMMH-A499-2
306	Spring	---	GEA40-273-51
307	Trigger	---	GEA40-273
308	Grip-Dead Handle	QMMH-40-135	---
309	Low Cap Head Screw (M4 x 0.7 x 30)	QMMH-GRIP-638	QMMH-GRIP-638
310	Switch Assembly-Momentary	---	---
311	Switch Assembly-Detent	---	---
312	Strain Reliever	---	---
313	Bracket-Throttle Handle	---	---
314	Bracket-Dead Handle	---	---
315	End Ball	---	---
317	Handle Flat Mount Flange	---	---
318	Cap Head Screw (M6 x 1 x 45)	---	---
319	Receptacle	---	QMMC-45
320	Plug-(Cord Length 2 Meter)	---	QMMC-56
321	Handle Grip Housing	QMMH-40	QMMH-40
323	Cable Tie	---	EE9-200

Accessories (Handle Extension Cable)

Table-8.4

Item	Description	Part Number
322	Handle Extension Cordset (2 Meter)	QMMC-46-2M
322A	Handle Extension Cordset (4 Meter)	QMMC-46-4M
322B	Handle Extension Cordset (6 Meter)	QMMC-46-6M

QMM Switch Assembly Exploded Diagram



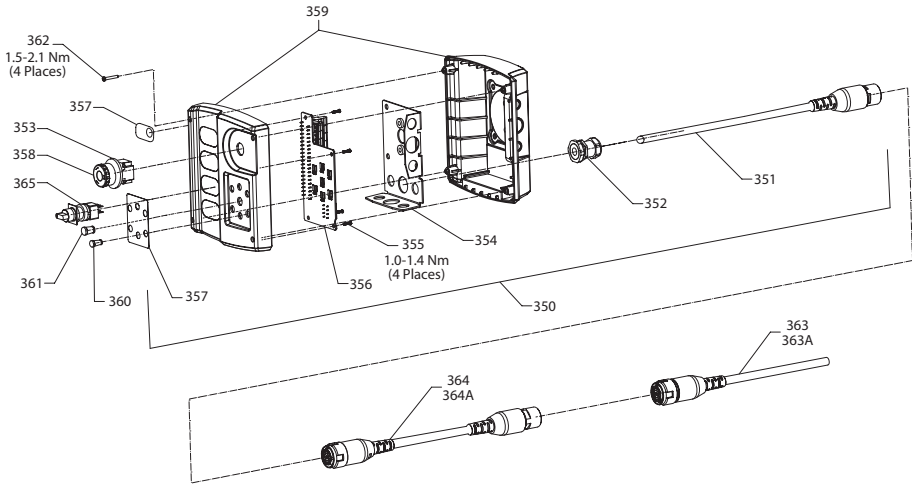
(Dwwg. 16601445)

QMM Switch Assembly Parts List

Table-9

Item	Description	Part Number			
*	Switch Assembly with Label	---	---	QMMH-1-A74	QMMH-1-A75
301	Handle Label Kit	---	---	QMMH-301	QMMH-301
*	Switch Assembly	QMMH-1-D74	QMMH-1-D75	QMMH-1-D74	QMMH-1-D75
332	Sleeve, Transparent	QMMH-600	QMMH-600	---	---
333	Switch Housing	QMMH-80	QMMH-80	---	---
334	Spring	QMMH-250	QMMH-250	---	---
335	Slide Switch Ball	QMMH-696	QMMH-696	---	---
336	Switch Housing Cover	QMMH-144	QMMH-144	---	---
337	Cap Head Screw (M2 x 0.4 x 8)	QMMH-PCB-638	QMMH-PCB-638	---	---
338	Handle Small PCB Assembly	QMMH-A499-1	QMMH-A499-1	---	---
339	Detent Slide Switch, Assembly	---	QMMH-A75	---	---
339A	Momentary Slide Switch, Assembly	QMMH-A74	---	---	---

QMM Control Panel Assembly Exploded Diagram



(Dwg. 16603037)

QMM Control Panel Parts List

Table-10.1

Item	Description	Part Number
350	Control Panel Assembly Kit	QMML-A424-KIT
351	Control Panel Whip Cable (1 Meter)	QMMC-A240-1
352	Cable Gland	QMML-46
353	Emergency Switch, Bezel	QMMC-78E-Y
354	Metal Frame Assembly	QMML-D28
355	Thread Forming Screw (M2.5 x 1.06 x 10)	QMML-PCB-638
356	Control Panel PCB Assembly	QMML-A499
357	Control Panel Label Kit	QMML-301
358	Emergency Switch	QMMC-78E
359	Control Panel Basic Assembly (Includes 360, 361 and 362)	QMML-A424R
360	Light Pipe-8 mm	QMML-7-8
361	Light Pipe-10 mm	QMML-7-10
362	Low Cap Head Screw (M3 x 0.5 x 20)	QMML-638
363	Control Panel Power Head Cable (2 Meter)	QMMC-A240-2
363A	Control Panel Power Head Cable (12 Meter)	QMMC-A240-12
364	Cable Extension Assembly (20 meter)	QMMC-A240-20
364A	Cable Extension Assembly (10 meter)	QMMC-A240-10

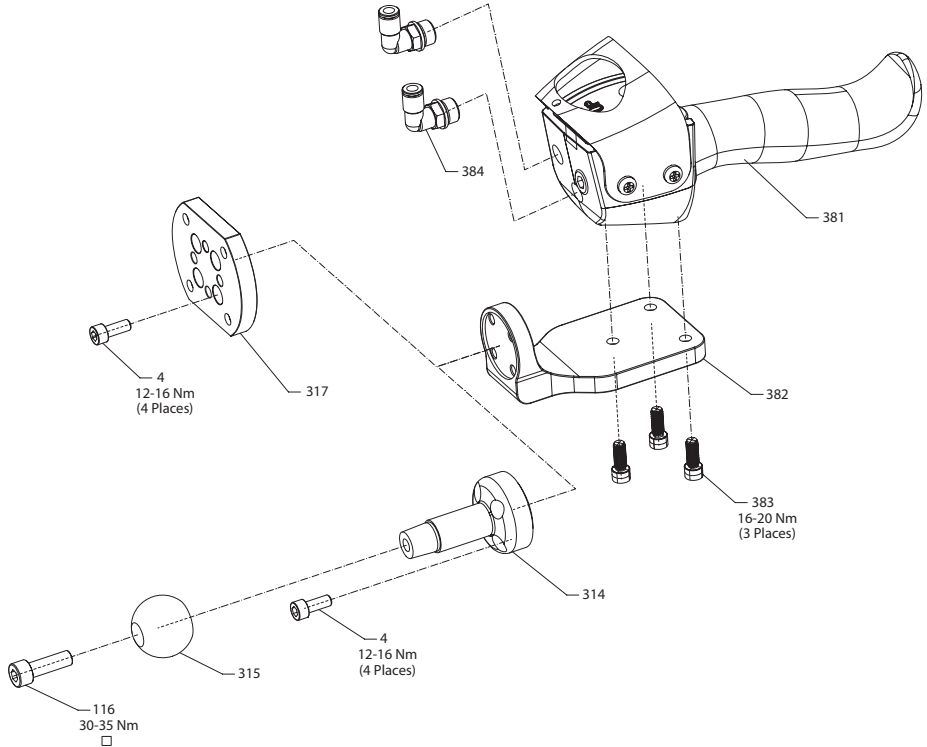
Accessories (Control Switch)

Table-10.2

Item*	Description	Part Number	
		Idec Make	Telemechanique Make
365	3 Position Selector Switch	QMMC-75-1	QMMC-75-2
365	2 Position Selector Switch	QMMC-76-1	QMMC-76-2
365	Push Button	QMMC-77-1	QMMC-77-2
365	Buzzer	QMMC-78-1	---
365	Pilot Light, Red	QMMC-79-1	QMMC-79-2
365	Pilot Light, Green	QMMC-80-1	QMMC-80-2
365	3 Position Selector Switch, Key Lock	QMMC-81-1	QMMC-81-2

* Options for Control Switch

QMM Pneumatic Handle with Flange Exploded Diagram



(Dwg. 16608911)

□ Apply Serviceable Thread Locker

QMM Pneumatic Handle with Flange Parts List

Table-11

Item	Description	Part Number	
*	Pneumatic Handle Assembly	QMMH-A35	QMMH-A36
4	Cap Head Screw (M6 x 1 x 16)	QMM-F1-638	QMM-F1-638
116	Cap Head Screw (M8 x 1.25 x 25)	QMM-T6-638	---
314	Bracket	QMMH-900-D	---
315	End Ball	QMMH-629	---
317	Handle Flat Mount Flange	---	QMMH-35
381	Pendant Handle	80148539	80148539
382	Pneumatic Handle Bracket	QMMH-35A	QMMH-35A
383	Cap Head Screw (1/4-20 x 5/8)	QMMH-35-638	QMMH-35-638
384	Male Stud Elbow, 1/4-18 NPT	QMMH-188	QMMH-188

Parts and Maintenance

When the life of the product has expired, it is recommended that the product be disassembled, degreased and parts be separated by material so that they can be recycled.

Product repair and maintenance should only be carried out by an authorized Service Center.

Refer all communications to the nearest **Ingersoll Rand** Office or Distributor.

Related Documentation

For additional information refer to:

Multiple Spindle Fixture Product Safety Information Manual 16607095.

Multiple Spindle Fixture Product Information Manual 16607228.

Manuals can be downloaded from www.irttools.com.

Notes:

www.irttools.com

© 2008 **Ingersoll Rand** Company



Free Manuals Download Website

<http://myh66.com>

<http://usermanuals.us>

<http://www.somanuals.com>

<http://www.4manuals.cc>

<http://www.manual-lib.com>

<http://www.404manual.com>

<http://www.luxmanual.com>

<http://aubethermostatmanual.com>

Golf course search by state

<http://golfingnear.com>

Email search by domain

<http://emailbydomain.com>

Auto manuals search

<http://auto.somanuals.com>

TV manuals search

<http://tv.somanuals.com>