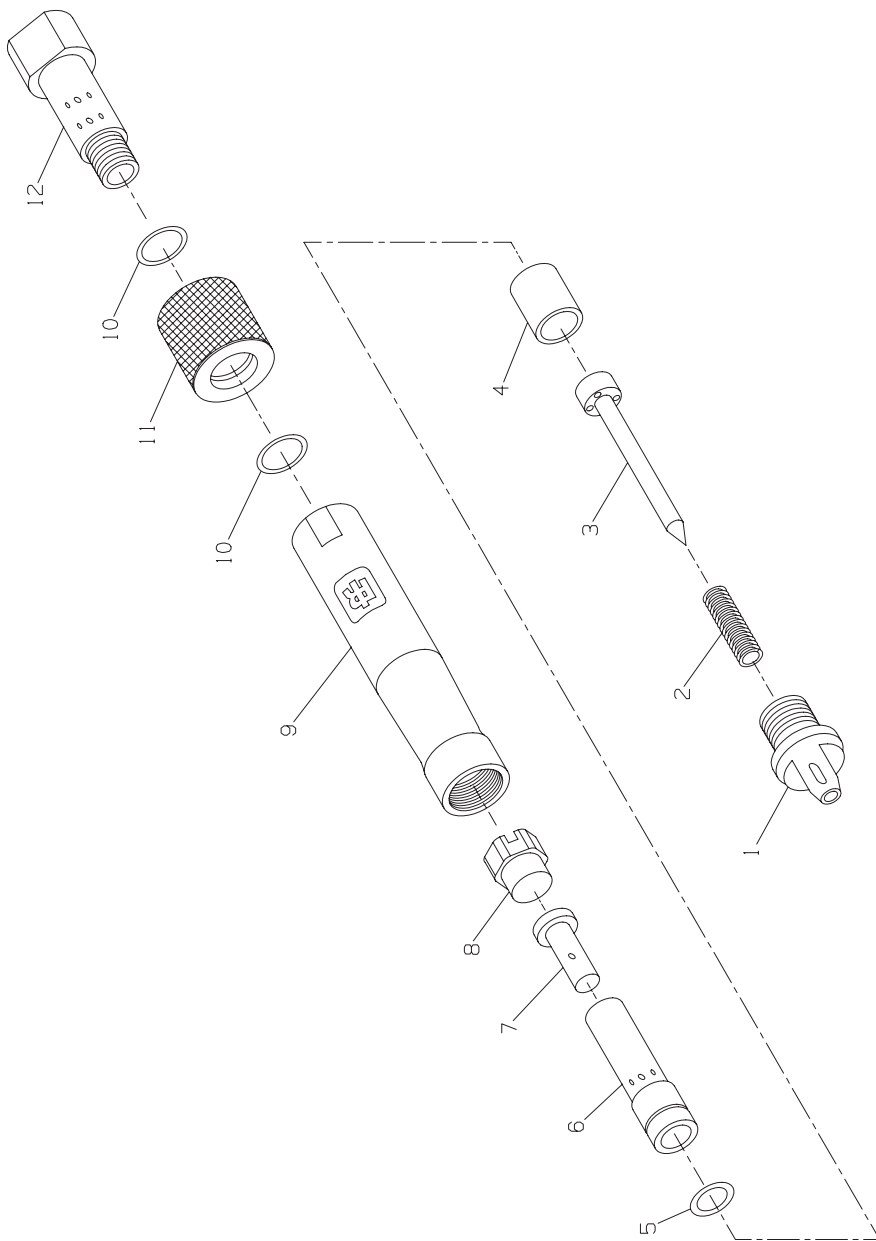


EP50 Air Engraving Pen Exploded Diagram



(Dwg. TPB746)

EP50 Air Engraving Pen Parts List

Item	Part Description	Part Number	Item	Part Description	Part Number
1	Nosepiece	EP50-502	12	Inlet	EP50-503
† 2	Stylus Spring	EP50-505	*	Warning Label (for models ending in -EU)	EU-99
3	Stylus (standard)	EP50-516			
4	Cylinder Spacer	EP50-506	*	Hose Assembly (6 feet of 3/16" I.D. hose; includes 1/8" NPT fittings at both ends)	DG100-130
† 5	Cylinder O-Ring	EP50-512			
6	Cylinder	EP50-508	*	Stylus	
7	Piston	EP50-507		fine point	EP50-515
† 8	Piston Stop	EP50-509		coarse point	EP50-517
9	Housing		*	Carrying Case	DG10-RF
	for models ending in -EU	EP50-EU-501	*	Stylus Grinding Collet	EP50-514
	for all other models	EP50-501	*	Tune-up Kit (includes illustrated parts 2, 5, 8 and 10)	EP50-TK1
† 10	Housing Seal (2)	EP50-511			
11	Throttle Sleeve	EP50-510			

* Not illustrated.

† Indicates Tune-up Kit part.

Parts and Maintenance

When the life of the tool has expired, it is recommended that the tool be disassembled, degreased and parts be separated by material so that they can be recycled.

Tool repair and maintenance should only be carried out by an authorized Service Center. Refer all communications to the nearest **Ingersoll-Rand** Office or Distributor.

Related Documentation

For additional information refer to:
Product Safety Information Manual 16576704.
Product Information Manual 16584039.
Maintenance Information Manual 16575946.

Manuals can be downloaded from www.irtools.com.



www.irtools.com

© 2006 **Ingersoll-Rand** Company

Form **16574907**

Edition 1

January 2006

Download from Www.Somanuals.com. All Manuals Search And Download.

Free Manuals Download Website

<http://myh66.com>

<http://usermanuals.us>

<http://www.somanuals.com>

<http://www.4manuals.cc>

<http://www.manual-lib.com>

<http://www.404manual.com>

<http://www.luxmanual.com>

<http://aubethermostatmanual.com>

Golf course search by state

<http://golfingnear.com>

Email search by domain

<http://emailbydomain.com>

Auto manuals search

<http://auto.somanuals.com>

TV manuals search

<http://tv.somanuals.com>