

MATERIAL FILTER

MAXIMUM INLET PRESSURE 6,000 P.S.I. (414 Bar)



READ THIS MANUAL CAREFULLY BEFORE INSTALLING, OPERATING OR SERVICING THIS EQUIPMENT.

It is the responsibility of the employer to place this information in the hands of the operator. Keep for future reference.

THIS MANUAL COVERS THE FOLLOWING MODELS:

MODEL	MATERIAL TYPE	SCREEN MESH SIZE (optional)
651418-40-B	Carbon Steel	93945-40 - 40 mesh
651418-70-B	Carbon Steel	93945-70 - 70 mesh
651418-100-B	Carbon Steel	93945-100 - 100 mesh

SERVICE KITS

- Use only genuine ARO replacement parts to assure compatible pressure rating and longest service life.
- Refer to figure 3 to order replacement parts.

MATERIAL FILTER DATA

Models see Model Description Chart for "-XXX" (optional screen)
Material see Model Description Chart
Maximum Fluid Pressure 6,000 p.s.i.g. (414 bar)

OPERATING AND SAFETY PRECAUTIONS

- Read and heed all warnings, cautions and safety precautions before operating this pump.
- ⚠ WARNING HAZARDOUS PRESSURE.** Can result in serious injury or property damage. Do not service or clean pump, hoses or dispensing valve while the system is pressurized.
- ⚠ CAUTION** Be certain all operators of this equipment have been trained for safe working practices, understand it's limitations, and wear safety goggles / equipment when required.
- ⚠ WARNING** Do not exceed the maximum inlet air pressure as stated on the air motor model plate. Operating pump at higher pressure may cause pump damage.
- ⚠ WARNING HAZARDOUS MATERIALS.** Can cause serious injury or property damage. Do not attempt to return a pump to the factory or service center that contains hazardous material. Safe handling practices must comply with local and national laws and safety code requirements. Obtain Material Safety Data Sheets on all materials from the supplier for proper handling instructions.

GENERAL DESCRIPTION

The ARO model 651418-XX-B material filter is used to separate foreign materials, like dirt, stones and sweeping compound, from the material handling section. Material filters and strainers can be installed in a system to combat this problem, thereby achieving longer service life. Filters and strainers are normally located in one of two places in the pumping system. At this point, where the fluid enters the material handling section, the strainer prevents foreign material from entering the system.

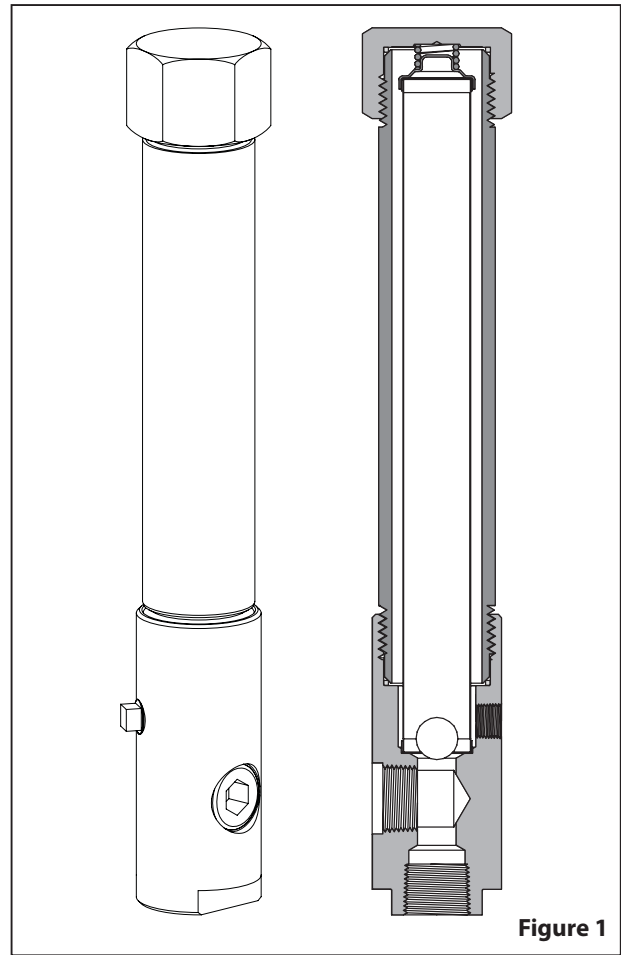


Figure 1

DISASSEMBLY

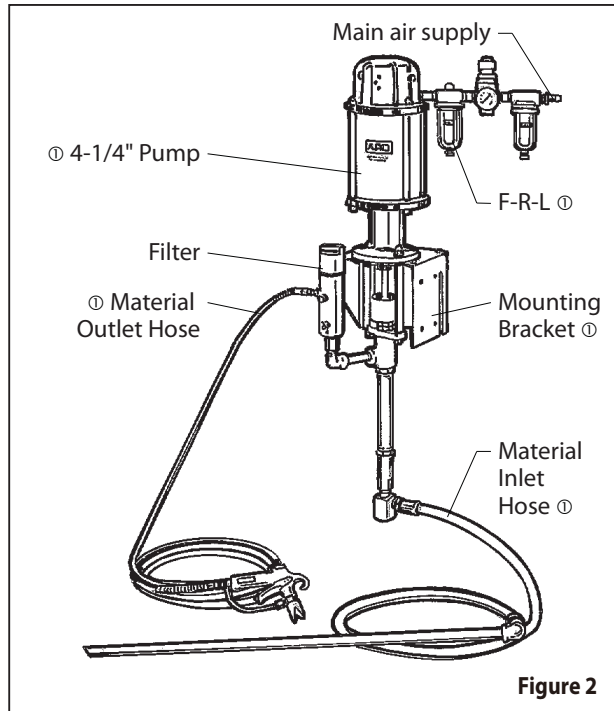
1. Unscrew and remove (1) cap from the (8) filter body.
2. Remove (2) gasket from (1) cap.
3. Remove (3) spring and (4) button guide from the (8) filter body.
4. Pull the (6) cartridge and (5) ball from the (8) filter body.
5. Unscrew the (8) filter body from the (7) body and remove (2) gasket.

Replace worn seal and parts with new parts. Reverse disassembly instructions for assembly.

TYPICAL SYSTEM VIEW

1. Install the material filter either at the inlet of material handling section or upstream from the other accessories (control handle, etc.).
2. Refer to typical installation (figure 2).
3. The filter unit was tested at the factory with a maximum working pressure of 6,000 p.s.i. (414 bar).
4. One Y17-15-C pipe plug is included with this unit to plug the inlet port not being used. Two Y17-12-C pipe plugs are included with this unit to plug the outlet ports not being used.

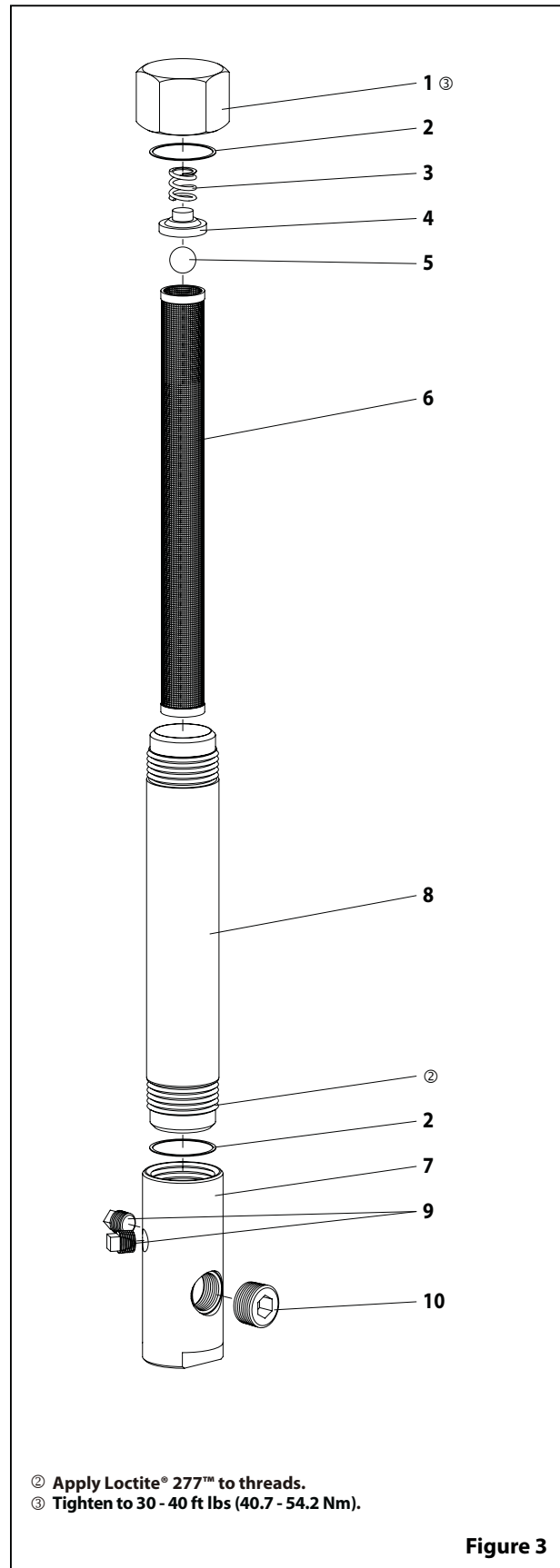
① These system components are shown for installation purposes only and must be purchased separately.



PARTS LIST / 651418-XX-B				
Item	Description (size)	(Qty)	Part No.	[Mtl]
1	Cap	(1)	92990-1	[C]
2	Gasket	(2)	91447	[D]
3	Spring	(1)	90408	[SS]
4	Guide Button	(1)	93949	[SS]
5	Ball (13/16" o.d.)	(1)	Y16-126	[SH]
6	Cartridge (see table, page 1)	(1)	93945-XXX	[SS]
7	Body	(1)	92412-1	[C]
8	Filter Body	(1)	92993	[C]
9	Pipe Plug (3/8 - 18 N.P.T.)	(2)	Y17-12-C	[C]
10	Pipe Plug (1 - 11-1/2 N.P.T.)	(1)	Y17-15-C	[C]

MATERIAL CODE

[C] = Carbon Steel
 [D] = Acetal
 [SH] = Hard Stainless Steel
 [SS] = Stainless Steel



- ② Apply Loctite® 277™ to threads.
 ③ Tighten to 30 - 40 ft lbs (40.7 - 54.2 Nm).

• ARO® is a registered trademark of Ingersoll-Rand Company •
 • Loctite® is a registered trademark of Henkel Loctite Corporation •
 • 277™ is a trademark of Henkel Loctite Corporation •

Free Manuals Download Website

<http://myh66.com>

<http://usermanuals.us>

<http://www.somanuals.com>

<http://www.4manuals.cc>

<http://www.manual-lib.com>

<http://www.404manual.com>

<http://www.luxmanual.com>

<http://aubethermostatmanual.com>

Golf course search by state

<http://golfingnear.com>

Email search by domain

<http://emailbydomain.com>

Auto manuals search

<http://auto.somanuals.com>

TV manuals search

<http://tv.somanuals.com>