

OPERATOR'S MANUAL

650517
650518

INCLUDING: OPERATION, INSTALLATION & MAINTENANCE

ALSO INCLUDE MANUALS: PH10A-X-X HIGH PRESSURE DIAPHRAGM PUMP (PN 97999-801), 6661MX-X-C DIAPHRAGM PUMP (PN 97999-619), L262X1-XXX REGULATOR (PN 100400-7), P292X1-XXX PIGGYBACK FILTER / REGULATOR (PN 100400-8).

RELEASED: 4-10-97
REVISED: 9-15-00
(REV. C)

650517 & 650518 DELIVERY SYSTEM

1" DIAPHRAGM PUMP, 3:1 RATIO, WITH WALL MOUNT

SERVICE KITS

Use only genuine ARO replacement parts to assure compatible pressure rating and longest service life.

- Fluid Section Repair Kit 637179.
- Air Section Repair Kit 637178.

Refer to the 6661MX-X-C Operator's Manual for parts / repair and service information (model 650517).

Refer to the PH10A-X-X Operator's Manual for parts / repair and service information (model 650518).

PUMP SYSTEM DATA

System Model	650517 (aluminum) 650518 (stainless steel)
Basic Pump Model	6661M0-2A4-C (aluminum) PH10A-ASS-SST (stainless steel)
Pump Type	3:1 Ratio, Metallic Air Operated Double Diaphragm with stainless steel seats
Material	Aluminum
Air Inlet	3/8" - 18 N.P.T.F.
Maximum Air Inlet Pressure	100 p.s.i.g. (6.9 bar)
Maximum Outlet Pressure	300 p.s.i.g. (20.4 bar)
Maximum Flow Rate	24 g.p.m. (90.7 l/m)
Maximum Particle Size	1/8" (3.2 mm)
Maximum Temp. Limits	35° to 150°F (2° to 66°C)
Noise Level □	84.5 db(A) @ 70 psi, 60 cycles per minute.

□ The pumpsound pressure levels published here have been updated to an Equivalent Continuous Sound Level (L_{Aeq}) to meet the intent of ANSI S1.13-1971, CAGI-PNEUROP S5.1 using four microphone locations.

GENERAL DESCRIPTION

The 650517 & 650718 Wall Mount Pumping System includes fittings, wall bracket, regulator, siphon tube, gauge and hardware.

The diaphragm pump uses stainless steel balls and seats, and teflon diaphragms and is designed to be used with waterborne paints. The gun and low pressure air and material hoses are not included.

OPERATING INSTRUCTIONS

⚠ WARNING DO NOT EXCEED MAXIMUM OPERATING PRESSURE OF 300 P.S.I. (20.4 BAR) AT 100 P.S.I. (6.9 BAR) AIR INLET PRESSURE.

⚠ WARNING READ THE PUMP MANUAL FOR ADDITIONAL OPERATING AND SAFETY PRECAUTIONS AND OTHER IMPORTANT INFORMATION.

INITIAL SETUP PROCEDURE

- Install the connector to the air supply hose.
- Attach (17) ground kit to ground lug.
- Attach the ground wire to a suitable ground.
- Keep containers covered to prevent contamination.
- When using an agitator, install a "T" at the air inlet or use a separate air supply source.

START-UP

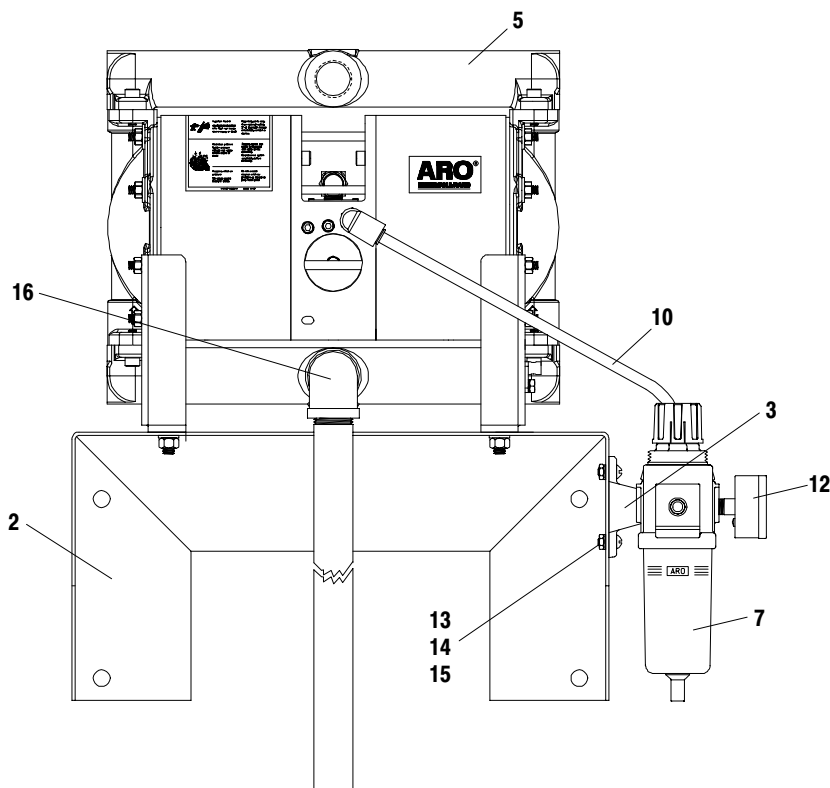
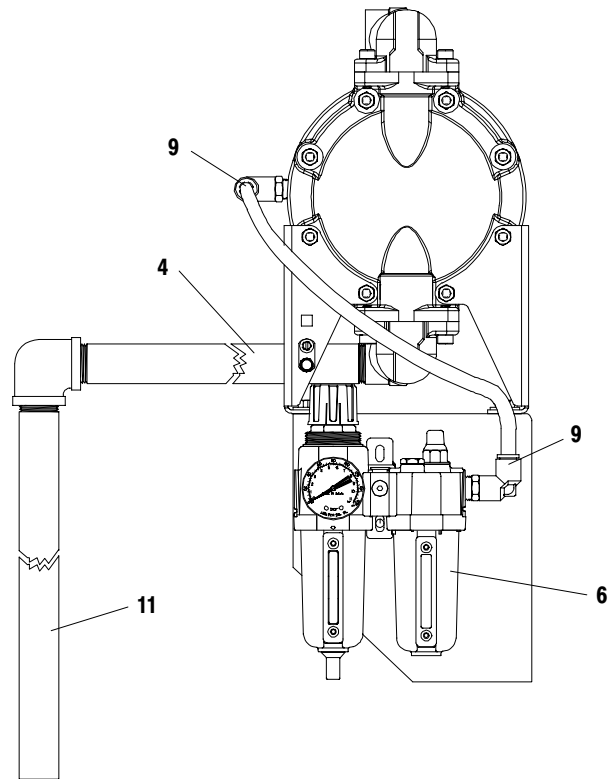
1. Turn the knob on the air regulator counterclockwise to zero p.s.i.
2. Place (11) tube into the container of material.
3. Start the pump to cycle by turning the air regulator knob clockwise. The pump will cycle several strokes until pressure is built up in the system, at which time it will stop. Check for any loose fittings or leakage.



PARTS LIST / 650517 / 650518

Item	Description (Size in inches)	(Qty)	Part No.
2	Wall Mount Bracket Assembly	(1)	67142
3	Bracket Assembly	(1)	104171
4	Hose	(1)	622702-6
5	Diaphragm Pump (model 650517)	(1)	6661M0-2A4-C
	(model 650518)	(1)	PH10A-ASS-SST
6	Lubricator Assembly	(1)	L26231-110
7	Modular PiggyBack	(1)	P29231-610
9	Male Elbow	(2)	59756-260
☆ 10	Tubing (5/32" x 18" long)	(1)	94979-XXX-X
11	Tube (37-1/2" long)	(1)	94415-2
12	Gauge (0 - 160 p.s.i.)	(1)	100091
13	Machine Screw (1/4" - 20 x 5/8" long)	(2)	Y8-48-C
14	Jam Nut (1/4" - 20)	(2)	Y12-104-C
15	Lock Washer (1/4")	(2)	Y14-416
16	90° Elbow (1" - 11-1/2 NPTF)	(1)	Y43-16-S

☆ Bulk Tubing (100' long).



Free Manuals Download Website

<http://myh66.com>

<http://usermanuals.us>

<http://www.somanuals.com>

<http://www.4manuals.cc>

<http://www.manual-lib.com>

<http://www.404manual.com>

<http://www.luxmanual.com>

<http://aubethermostatmanual.com>

Golf course search by state

<http://golfingnear.com>

Email search by domain

<http://emailbydomain.com>

Auto manuals search

<http://auto.somanuals.com>

TV manuals search

<http://tv.somanuals.com>