

3/8" DIAPHRAGM PUMP 1:1 RATIO, NON-METALLIC with Filter / Regulator



**READ THIS MANUAL CAREFULLY BEFORE INSTALLING,
OPERATING OR SERVICING THIS EQUIPMENT.**

It is the responsibility of the employer to place this information in the hands of the operator. Keep for future reference.

GENERAL DESCRIPTION

The 670074 special 3/8" diaphragm pumps are similar to models PD03P-AES-DTT diaphragm pumps. These pumps feature inlet and outlet manifolds with 3/8 - 18 N.P.T.F. - 1 threads and a filter / regulator on the air inlet.

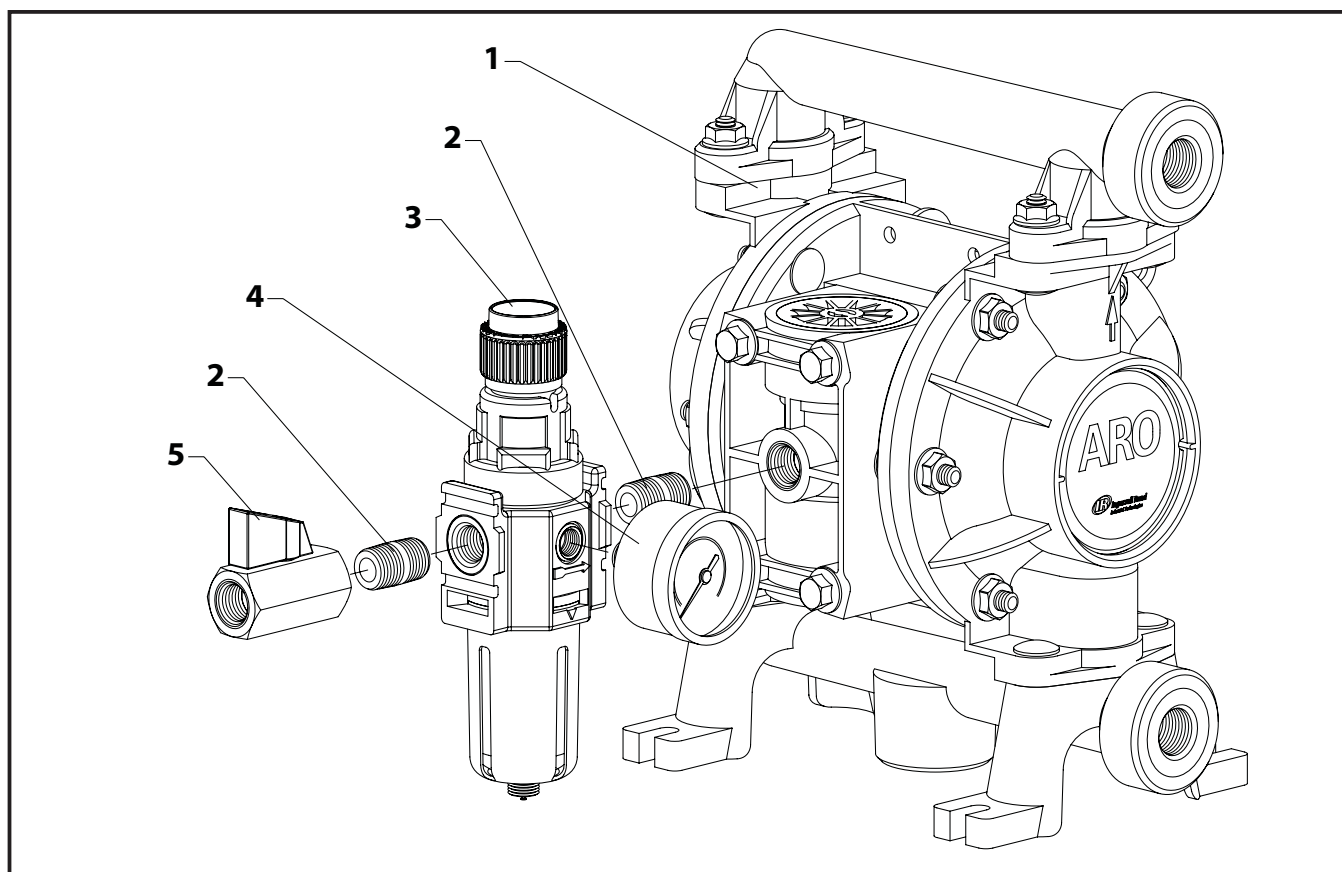
A PD03P-X-X operator's manual (part number 97999-1180) is to be used for General Information, Installation, Operation and Maintenance. Follow the standard parts list with the addition of the items listed below.

SERVICE KITS

104255 for repair of P29122-600 filter / regulator.

637428 for air section repair.

637429-TT for fluid section repair.



670074 PARTS LIST

Item	Description (size)	(Qty)	Part No.	Item	Description (size)	(Qty)	Part No.
1	3/8" Diaphragm Pump	(1)	PD03P-AES-DTT	4	Gauge (included with item 3)	(1)	100095-160
2	Nipple (1/4 - 18 N.P.T. x 7/8" long)	(2)	Y27-2-C	5	Ball Valve (1/4 - 18 N.P.T.)	(1)	104077-2
3	Piggyback Filter / Regulator	(1)	P29122-600				

PN 97999-1253

INGERSOLL RAND COMPANY LTD
P.O. BOX 151 • ONE ARO CENTER • BRYAN, OHIO 43506-0151

① (800) 276-4658 • FAX (800) 266-7016

© 2007

CCN 15281553

ARO

IR Ingersoll Rand
Industrial Technologies

Free Manuals Download Website

<http://myh66.com>

<http://usermanuals.us>

<http://www.somanuals.com>

<http://www.4manuals.cc>

<http://www.manual-lib.com>

<http://www.404manual.com>

<http://www.luxmanual.com>

<http://aubethermostatmanual.com>

Golf course search by state

<http://golfingnear.com>

Email search by domain

<http://emailbydomain.com>

Auto manuals search

<http://auto.somanuals.com>

TV manuals search

<http://tv.somanuals.com>