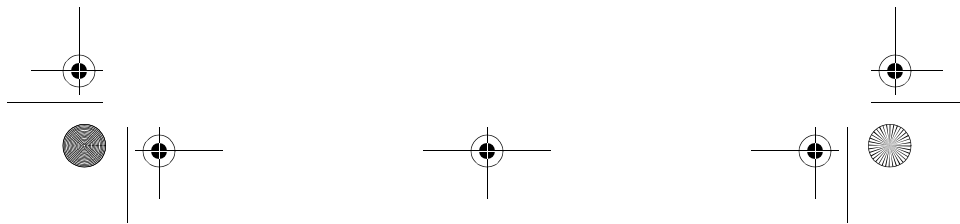
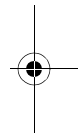
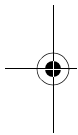
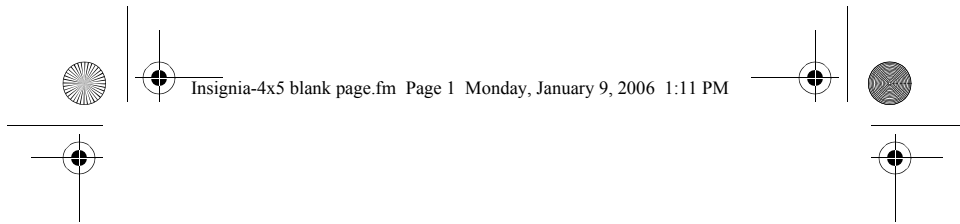


User Guide | Guide de l'utilisateur | Guía del Usuario



Portable CD Player | Lecteur de CD portatif | Reproductor de CD portátil

**NS-P3114**





## Welcome

Congratulations on your purchase of a high-quality Insignia product. Your NS-P3114 Portable CD player with memory card slot and FM digital tuner represents the state of the art in portable CD player design and is designed for reliable and trouble-free performance.

## Contents

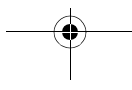
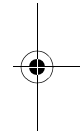
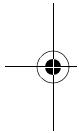
Safety information . . . . .	1
Features . . . . .	2
Using your player . . . . .	8
Maintenance . . . . .	19
Specifications . . . . .	21
Troubleshooting . . . . .	23
Legal notices . . . . .	25
Français . . . . .	28
Español . . . . .	59

## Safety information

Read these instructions before using your player.

### Warnings:

- To prevent fire or shock hazard, do not expose your player to rain or moisture.
- Do not open the case. Refer servicing to qualified personnel only.
- Do not expose your player to excessive heat, direct sunlight, dust, moisture, vibration, or shock.
- Use only the AC adapter that came with your player. Other adapters may damage your player.
- Disconnect your player from the wall outlet when you do not intend to use your player for an extended period of time.
- When cleaning your player, use a soft dry cloth and do not use solvents or commercially available cleaners because they may damage or discolor the finish on your player.
- Do not wear headphones when operating a motor vehicle. This could create a traffic hazard and is illegal in many areas.



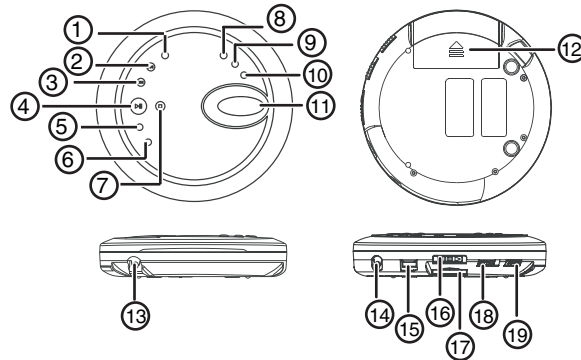
# INSIGNIA NS-P3114 Portable CD Player

## Features

Your player features:

- Audio CD, MP3, and WMA playback
- Memory card reader that reads SD and MMC memory cards
- FM radio tuner
- Headphones that supply superior stereo quality at normal volume levels while letting you hear outside sounds.
- Anti-shock protection that uses a read-ahead processor and advanced memory buffer to greatly reduce or eliminate skipping
- Remote control
- Automatic shut-off after 30 seconds of inactivity
- Battery-power operation
- Optional AC adapter

### Player components



## NS-P3114 Portable CD Player

**INSIGNIA**

	Control	Description
1	PROG/+10/MEN	If a CD is in your player and your player is stopped, press to create a playlist of audio CD tracks or MP3 or WMA songs. If you are listening to an MP3 or WMA song, press to skip ahead 10 songs on the CD or memory card. If you are listening to the radio, press to preset radio stations.
2	SKIP+/TUNING+	If you are playing a CD or memory card, press this button to go to the next audio CD track or MP3 or WMA song. If you are listening to the radio, press this button to scan forward to the next higher frequency station.
3	SKIP-/TUNING-	If you are playing a CD or memory card, press this button to go to the previous audio CD track or MP3 or WMA song. If you are listening to the radio, press this button to scan back to the next lower frequency station.
4	PLAY/PAUSE/POWER	If your player is turned off, press for more than one second to turn on your player. If you are listening to a CD or memory card, press to pause playback. Press again to resume playback.

**INSIGNIA** NS-P3114 Portable CD Player

	Control	Description
5	ESP/PRESET+/ALBUM+	<p>If you are playing an audio CD, press to turn the anti-shock feature on or off.</p> <p>If you are playing a CD or memory card with MP3 or WMA songs and the CD or memory card has more than one album, press to go to the next album.</p> <p>If you are listening to the radio, press to go to the next preset station.</p>
6	PRESET-/ALBUM-	<p>If you are playing a CD or memory card with MP3 or WMA songs and the CD or memory card has more than one album, press to go to the previous album.</p> <p>If you are listening to the radio, press to go to the previous preset station.</p>
7	STOP/POWER OFF	<p>If you are playing a CD or memory card, press to stop playback.</p> <p>If CD or memory card playback is stopped or you are listening to the radio, press to turn off your player.</p>
8	MODE/ST/MONO	<p>If you are playing a CD or memory card, press one or more times to select a playback mode. You can select:</p> <ul style="list-style-type: none"> <li>• REPEAT 1</li> <li>• REPEAT ALBUM (MP3 and WMA CDs and memory cards only)</li> <li>• REPEAT ALL</li> <li>• INTRO</li> <li>• RDM</li> </ul> <p>If you are playing the radio, press to select the sound mode. You can select:</p> <ul style="list-style-type: none"> <li>• Stereo</li> <li>• Mono</li> </ul>

## NS-P3114 Portable CD Player

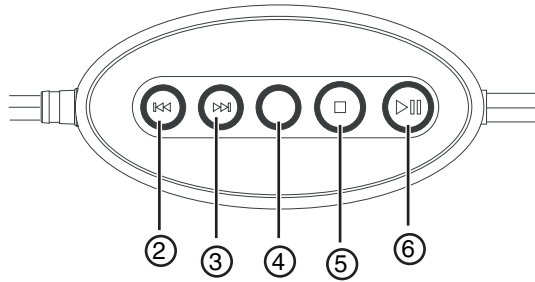
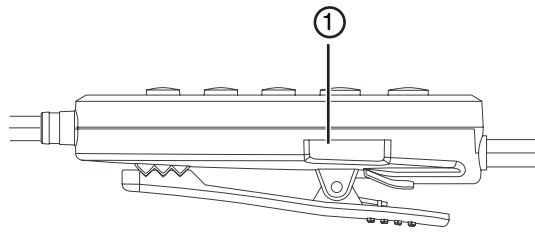
**INSIGNIA**

	Control	Description
9	COPY	Press to copy tracks from an audio CD to a memory card. Your player converts the tracks from the audio CD to MP3 format and stores them on a memory card.
10	FUNCTION	Press to select the media type. You can select: <ul style="list-style-type: none"> <li>• DISC</li> <li>• MEMORY CARD</li> <li>• FM</li> </ul>
11	LCD	Displays information about the status of your player.
12	Battery door	Open to install or replace the batteries.
13	DC input	Connect the optional AC adapter to this jack.
14	Headphone jack	Plug the headphones into this jack.
15	VOLUME	Turn to adjust the volume.
16	CD door switch	Slide to the right to open the CD door.
17	Memory card slot	Insert an MMC or SD memory card into this slot.
18	BASS BOOST	Slide to the ON position to turn on the Bass Boost feature. Slide to the OFF position to turn off the Bass Boost feature. The Bass Boost feature increases the bass sound level.
19	HOLD	Slide to the right to lock your player's controls. Slide to the left to unlock your player's controls.

www.Insignia-Products.com

5

**INSIGNIA** NS-P3114 Portable CD Player  
**Remote control**



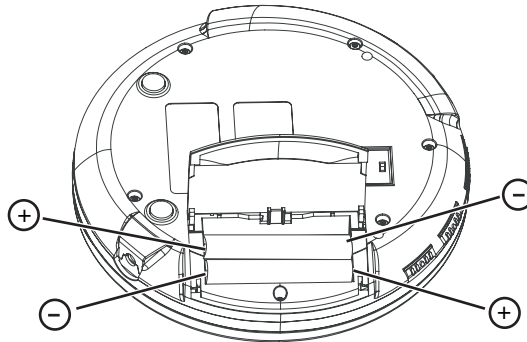


## NS-P3114 Portable CD Player

**INSIGNIA**

	<b>Control</b>	<b>Description</b>
1	Volume	Turn to adjust the volume.
2	SKIP-/TUNING-	If you are playing a CD or memory card, press to go to the previous audio CD track or MP3 or WMA song. If you are listening to the radio, press this button to scan back to the next lower frequency station.
3	SKIP+/TUNING+	If you are playing a CD or memory card, press to go to the next audio CD track or MP3 or WMA song. If you are listening to the radio, press to scan forward to the next higher frequency station.
4	FUNCTION	Press to select the media type. You can select: <ul style="list-style-type: none"><li>• DISC</li><li>• MEMORY CARD</li><li>• FM</li></ul>
5	STOP/POWER OFF	If you are playing a CD or memory card, press to stop playback. If CD or memory card playback is stopped or you are listening to the radio, press to turn off your player.
6	PLAY/PAUSE/POWER	If your player is turned off, press for more than one second to turn on your player. If you are listening to a CD or memory card, press to pause playback. Press again to resume playback.

**INSIGNIA** NS-P3114 Portable CD Player  
**Using your player**  
**Installing the batteries**




**To install the batteries:**

- 1 Open the battery compartment cover.
- 2 Insert two AA alkaline batteries (not included) inside the battery compartment. Make sure that the + and - on the batteries align with the + and - in the battery compartment.
- 3 Close the battery compartment cover.

**Note:** Remove batteries from the battery compartment before using the AC adapter.

**Low battery alert**

When the battery  indicator appears in the LCD panel, you need to replace the batteries.

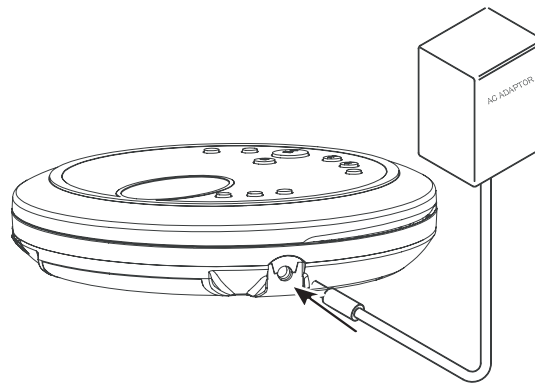
When you replace the batteries:

- Do not attempt to recharge, short-circuit, disassemble, heat, or expose the batteries to fire.
- Do not mix battery types (alkaline and zinc carbonate).
- When replacing the batteries, do not mix old and new batteries.
- Always replace weak batteries because they can leak and damage your player.

NS-P3114 Portable CD Player

INSIGNIA

**Connecting the AC adapter**



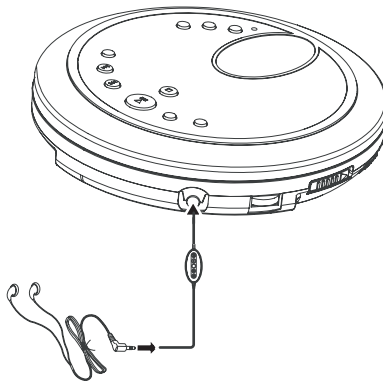
**To connect the AC adapter:**

- 1 Plug the AC adapter cord into the DC input jack.
- 2 Plug the other end of the AC adapter cord into an electrical outlet.

**Caution:** Use with the recommended 6V AC adapter, and make sure that the local voltage corresponds to the adapters's required AC input voltage.

**Note:** Remove batteries from the battery compartment before using the AC adapter.

**INSIGNIA** NS-P3114 Portable CD Player  
**Connecting the headphones**



**To connect the headphones:**

- Plug the headphones into the headphone jack (this jack is color-coded green).

**Caution:** Avoid high volume levels. You may damage your hearing.

**Bass Boost**

The Bass Boost feature increases the bass sound level. When you are listening at a low volume level, Bass Boost makes the sound fuller.

**To turn Bass Boost on and off:**

- To turn on Bass Boost, slide the **Bass Boost** switch to the **ON** position. When Bass Boost is on, **BASS** appears on the LCD.
- To turn off Bass Boost, slide the switch to the **OFF** position.

## NS-P3114 Portable CD Player

INSIGNIA™

### Turning your player on and off

Your player does not have a power button.

#### To turn your player on and off:

- 1 Press the **PLAY/PAUSE/POWER** button to turn on your player and start playback.
- 2 If you are playing a CD or memory card, press the **STOP/POWER OFF** button once to put your player in standby mode. If you are playing a CD or memory card and put your player in standby mode or open the CD door for more than 30 seconds, your player automatically turns off.
- 3 If you are playing a CD or memory card and playback is stopped or if you are listening to the radio, press the **STOP/POWER OFF** button to turn off your player.

### Using the Hold switch

You can lock your player controls so that you do not accidentally change settings.

#### To lock and unlock your player's controls:

- Slide the **HOLD** switch to the right to lock the controls.
- Slide the **HOLD** switch to the left to unlock the controls.

### Using the anti-shock feature

When you play a CD, the anti-shock feature reduces or eliminates skipping when you move your player. You can turn the anti-shock feature on and off when playing audio CDs. When you play MP3 or WMA CDs, the anti-shock feature is always on.

#### To turn the anti-shock feature on or off:

- Press and hold the **ESP/PRESET+/ALBUM+** button for about one second to turn on the anti-shock feature. When the anti-shock feature is turned on, **ESP** appears on the LCD.
- Press and hold the button again to turn off the anti-shock feature.

**Caution:** If your player experiences excessive and continuous shock, the memory buffer overloads and music skips.

#### Notes:

- When the anti-shock feature is turned on, the battery charge is used faster because the CD rotates faster.
- If the CD is dirty, scratched, or warped, it may skip even though the anti-shock feature is turned on.

## INSIGNIA NS-P3114 Portable CD Player

### Playing CDs and memory cards

Your player can play standard audio CDs and MP3 and WMA songs recorded to a CD or memory card.

#### To play a CD:

- 1 Plug in the headphones.
- 2 Turn on your player.
- 3 Slide the CD door switch to the right to open the CD door.
- 4 Insert the CD with the label facing up.
- 5 Gently close the CD door. Your player automatically starts playback.
- 6 If you want to pause playback, press the **PLAY/PAUSE/POWER** button. Press the button again to resume normal playback.
- 7 Press the **STOP/POWER OFF** button to stop playback.

#### Notes:

- MP3 files must have the .MP3 file extension. WMA files must have the .WMA file extension.
- The playback quality of MP3 and WMA songs recorded to CD-Rs or CD-RWs can be affected by the quality of the CD, the burning program you use to create the CD, the settings in the burning program, and the type of CD burner you use. We recommend that you burn MP3 or WMA CDs from a minimum speed of 4x to a maximum speed of 6x.
- If you use Windows® Media Player to create MP3 and WMA CDs, do not check **Copy protect music** on the **Options** menu.
- If you buy and download songs from online music stores, use Windows Media Player to burn the songs to a CD. Many downloaded songs are protected by Microsoft® DRM (Digital Rights Management), and these songs will not play if you use a different program to create the CD.

#### LCD information

- When your player is turned on and the CD door is open, **OPEN** appears on the LCD.
- When your player is turned on and the CD door is closed, **Read Disc** appears on the LCD while your player is reading the CD. If your player does not recognize the CD format or if you have not inserted a CD, **NO DISC** or **ERR DISC** appears on the LCD.
- If you press the **PLAY/PAUSE/POWER** button while a CD is playing, the elapsed time flashes on the LCD.

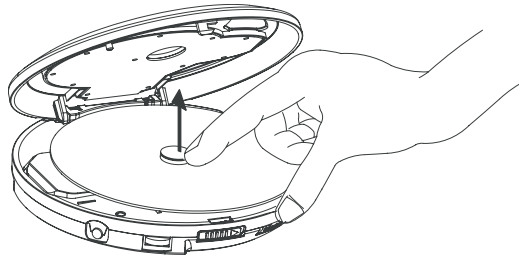
#### To remove a CD:

- 1 If a CD is playing, press the **STOP/POWER OFF** button, then wait for the CD to stop spinning.
- 2 Open the CD door.

NS-P3114 Portable CD Player

**INSIGNIA**

- 3 Hold the edge of your player, then gently press the center pivot to release the CD.



- 4 Lift the CD off the pivot, and remove the CD.

**Playing songs on a memory card**

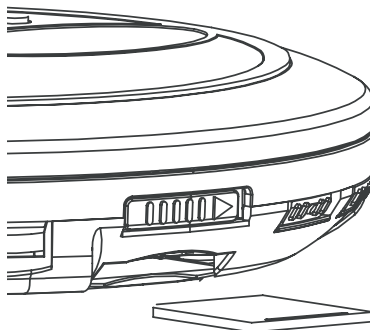
Your player can play songs on an SD or MMC memory card.

**To play songs on a memory card:**

- 1 Plug in the headphones.
- 2 Turn on your player.
- 3 Press the **FUNCTION** button one or more times to select **MEMORY CARD**.

## INSIGNIA NS-P3114 Portable CD Player

- 4 Insert a memory card into the memory card slot. Your player reads the card, then automatically starts playback.



- 5 If you want to pause playback, press the **PLAY/PAUSE/POWER** button. Press the button again to resume normal playback.
- 6 Press the **STOP/POWER OFF** button to stop playback.

### LCD information

- MP3 files must have the .MP3 file extension. WMA files must have the .WMA file extension. If the card does not have MP3 or WMA files, **CARD IS INVALID** appears on the LCD.
- If your player is in Memory Card mode and no memory card is in the memory card slot, **NO CARD** appears on the LCD.
- If your player's controls are locked (the **HOLD** switch is in the **ON** position) and a memory card is in the memory card slot, **CARD IS PROTECTED** appears on the LCD.

### Scanning for audio CD tracks

#### To scan for a track on an audio CD:

- To go to the next track on a CD, press the **SKIP+/TUNING+** button.
- To scan forward on CD, press and hold the **SKIP+/TUNING+** button until you find the track you want, then release the button.
- To go to the previous track on a CD, press the **SKIP-/TUNING-** button.



## NS-P3114 Portable CD Player

**INSIGNIA**

- To scan backward on the CD, press and hold the **SKIP-/TUNING-** button until you find the track you want, then release the button.
- To find a track by playing the first few seconds of each track, press the **MODE/ST/MONO** button three times. Your player plays the first few seconds of each track. When you hear the track you want, press the **MODE/ST/MONO** button again.

### Scanning for MP3 or WMA songs on a CD or memory card

#### To scan for MP3 or WMA songs on a CD or memory card:

- To go to the next song, press the **SKIP+/TUNING+** button.
- To scan forward, press and hold the **SKIP+/TUNING+** button until you find the song you want, then release the button.
- To go to the previous song, press the **SKIP-/TUNING-** button.
- To scan backward, press and hold the **SKIP-/TUNING-** button until you find the song you want, then release the button.
- To skip to the next album on a CD or memory card that has more than one album, press the **ESP/PRESET+/ALBUM+** button.
- To skip to the previous album on a CD or memory card that has more than one album, press the **PRESET-/ALBUM-** button.
- To skip forward 10 songs, press the **PROG/+10/MEM** button.
- To find a song by playing the first few seconds of each song, press the **MODE/ST/MONO** button four times.

### Repeating tracks or songs

#### To repeat tracks or songs:

- 1 Turn on your player and insert a CD.
- 2 Select the repeat mode you want:
  - Press the **MODE/ST/MONO** button once to repeat the current track on an audio CD or song on an MP3 or WMA CD or memory card.
  - Press the **MODE/ST/MONO** button twice to repeat all the tracks on an audio CD or an album on an MP3 or WMA CD or memory card.
  - Press the **MODE/ST/MONO** button three times to repeat all the songs on an MP3 or WMA CD memory.
- 3 Press the **MODE/ST/MODE** button one or more times to exit repeat mode and return to normal playback.

### Playing tracks or songs randomly

#### To randomly play the tracks or songs:

- 1 Turn on your player and insert a CD.
- 2 Press the **MODE/ST/MONO** button four times to randomly play the tracks on an audio CD or press the **MODE/ST/MONO** button five times to randomly play the songs on an MP3 or WMA CD or memory card. **RDM** appears on the LCD, and your player plays the tracks or songs in random order.
- 3 Press the **MODE/ST/MODE** button one or more times to exit random mode and return to normal playback.

## INSIGNIA NS-P3114 Portable CD Player

### Creating a playlist

You can create a playlist of tracks from an audio CD or songs from an MP3 or WMA CD or memory card. You can add as many as 60 songs to your playlist.

#### To create an audio CD playlist:

- 1 Turn on your player and insert an audio CD.
- 2 Press the **STOP/POWER OFF** button to stop playback.
- 3 Press the **PROG/+10/MEM** button. **PGM** appears on the LCD.
- 4 Press the **SKIP-/TUNING-** or **SKIP+/TUNING+** button to select the track you want.
- 5 Press the **PROG/+10/MEM** button to confirm your selection.
- 6 Repeat steps 3 through 5 to add additional tracks to your playlist.
- 7 Press the **PLAY/PAUSE/POWER** button to start playback.

#### To create an MP3 or WMA playlist:

- 1 Turn on your player and insert an MP3 or WMA CD or memory card.
- 2 Press the **PROG/+10/MEM** button. **PGM** appears on the LCD.
- 3 If the CD or memory card has multiple albums, press the **ESP/PRESET+/ALBUM+** or **PRESET-/ALBUM-** button to select the album you want.
- 4 Press the **SKIP-/TUNING-** or **SKIP+/TUNING+** button to select the song you want, then press the **PROG/+10/MEM** button.
- 5 Repeat steps 3 and 4 to add additional songs to your playlist.
- 6 Press the **PLAY/PAUSE/POWER** button to start playback.

#### To delete a playlist:

- Press the **STOP/POWER OFF** button twice.
- Open the CD door.
- Remove the memory card.
- Change to **RADIO** mode.
- Turn off your player.

### Deleting songs from a memory card

#### To delete songs on a memory card:

- 1 Turn on your player.
- 2 Press the **FUNCTION** button one or more times to select **MEMORY CARD**.
- 3 Insert a memory card into the memory card slot. Your player reads the card, then automatically starts playback.
- 4 Press the **STOP/POWER OFF** button.
- 5 Press the **COPY** button one or more times to select **Delete ?**, then press the **PLAY/PAUSE/POWER** button.
- 6 Press the **MODE/ST/MONO** button to select what you want to delete. You can select:
  - **Track Del?**—Deletes a single song.
  - **Album Del?**—Deletes an album
  - **PGM Del?**—Deletes a block.

## NS-P3114 Portable CD Player

**INSIGNIA****7** If you selected:

- **Track Del?**—Press the **PRESET-/ALBUM-** or **PRESET+/ALBUM+** button to select the album that has the song you want to delete, press the **SKIP-/TUNING-** or **SKIP+/TUNING+** button to select the song you want to delete, then press the **PLAY/PAUSE/POWER** button to delete the song.
- **Album Del?**—Press the **PRESET-/ALBUM-** or **PRESET+/ALBUM+** button to select the album you want to delete, then press the **PLAY/PAUSE/POWER** button delete the album.
- **PGM Del?**—Press the **PRESET-/ALBUM-** or **PRESET+/ALBUM+** button to select the album that has the songs you want to delete, press the **SKIP-/TUNING-** or **SKIP+/TUNING+** button to select the first song you want to delete, then press the **PROG/+10/MEM** button to mark a block to delete. Press the **PLAY/PAUSE/POWER** button delete the block.

**Formatting a memory card**

Formatting a memory card is a quick way to delete all the songs on a card and may help solve problems with reading the card.

**To format a memory card:**

- 1 Turn on your player.
- 2 Press the **FUNCTION** button one or more times to select **MEMORY CARD**.
- 3 Insert a memory card into the memory card slot. Your player reads the card, then automatically starts playback.
- 4 Press the **STOP/POWER OFF** button.
- 5 Press the **COPY** button one or more times until **Format ?** appears on the LCD, then press the **PLAY/PAUSE/POWER** button to start the formatting.

**Copying audio CD tracks to a memory card**

You can copy tracks from an audio CD to a memory card. When your player copies the tracks, it saves them to the memory card as MP3 files.

**To copy audio CD tracks to a memory card:**

- 1 Turn on your player.
- 2 Press the **FUNCTION** button one or more times to select **DISC**.
- 3 Insert an audio CD and a memory card.
- 4 Press the **COPY** button one or more times to select **Copy ?**.
- 5 Press the **MODE/ST/MONO** button one or more times to select what you want to copy. You can select:
  - **Track Copy**—Copies a single song.
  - **Album Copy**—Copies an entire album.
  - **Disc Copy**—Copies an entire CD.
  - **PGM Copy**—Copies a block.

**INSIGNIA** NS-P3114 Portable CD Player

- 6 If you selected:
- Track Copy—Press the **PRESET-/ALBUM-** or **PRESET+/ALBUM+** button to select the album that has the song you want to copy, press the **SKIP-/TUNING-** or **SKIP+/TUNING+** button to select the song you want to copy, then press the **PLAY/PAUSE/POWER** button to copy the song.
  - Album Copy—Press the **PRESET-/ALBUM-** or **PRESET+/ALBUM+** button to select the album you want to copy, then press the **PLAY/PAUSE/POWER** button to copy the album.
  - Disc Copy—Press the **PLAY/PAUSE/POWER** button to copy the disc.
  - PGM Copy—Press the **PRESET-/ALBUM-** or **PRESET+/ALBUM+** button to select the album that has the songs you want to copy, press the **SKIP-/TUNING-** or **SKIP+/TUNING+** button to select the first song you want to copy, then press the **PROG/+10/MEM** button to mark a block of ten songs to copy. Press the **PLAY/PAUSE/POWER** button copy the block.

**Playing the radio****To play the radio:**

- 1 Turn on your player.
- 2 Press the **FUNCTION** button one or more times to select **RADIO**.
- 3 To tune to a station:
  - Manually—Press the **SKIP+/TUNING+** or **SKIP-/TUNING-** button for less than ½ second. Your player tunes to the next lower or next higher radio station frequency.
  - Automatically—Press and hold the **SKIP+/TUNING+** or **SKIP-/TUNING-** button for more than one second until a radio station frequency appears on the LCD, then release the button.
- 4 Press and hold the **STOP/POWER OFF** button for more than one second to turn off your player.

**Notes:**

- The headphone cable is your radio antenna. The headphone must be connected to your player to receive clear reception. If the reception is not clear, fully extend the headphone cable.
- If automatic tuning does not stop on a station or the reception is poor, you may have tuned to a weak frequency or your player may be obstructed. Try moving to a different location or fine-tune the station by pressing the **SKIP-/TUNING-** or **SKIP+/TUNING+** button.

**Selecting the sound mode**

You can listen to the radio in stereo or mono mode.

**To select the sound mode:**

- Press the **MODE/ST/MONO** button. **STEREO** appears on the LCD when the sound mode is set to stereo.

**Note:** If you experience background noise when listening in stereo mode, switch to mono mode. The background noise is reduced, but the station plays in mono mode.

## NS-P3114 Portable CD Player

**INSIGNIA**

### Setting up preset stations

You can preset as many as 30 radio stations.

#### To preset stations:

- 1 Turn on your player, switch to **RADIO** mode, then tune to the station you want to preset.
- 2 Press the **PROG/+10/MEM** button. **MEMO** appears on the LCD.
- 3 Press the **ESP/PRESET+/ALBUM+** or **PRESET-/ALBUM-** button one or more times to select the preset number you want to assign to the station.
- 4 Press the **PROG/+10/MEM** button to save your preset.

#### To tune to a preset station:

- Press the **ESP/PRESET+/ALBUM+** or **PRESET-/ALBUM-** button one or more times until the preset number you want appears on the LCD.

## Maintenance

### Cleaning your player

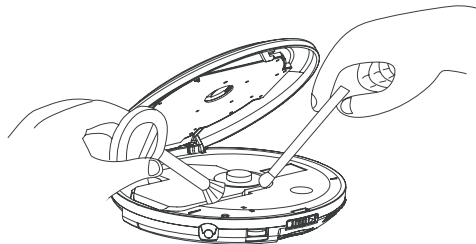
Gently wipe the exterior of your player with a soft, dry cloth. If the dry cloth does not clean your player, slightly dampen the cloth with a solution of water and neutral detergent, and re-wipe your player.

### Cleaning the lens

If the lens gets dirty, your player may skip or may not play a CD.

#### To clean the lens:

- 1 Open the CD door.
- 2 To remove dust or dry particles, use a camera lens blower/brush to blow on the lens once or twice, then brush the dust or particles off the lens.



- 3 To remove fingerprints, use a dry cotton swab to wipe from the middle to the outer edge of the lens.



## INSIGNIA NS-P3114 Portable CD Player

### Handling CDs



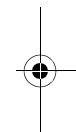
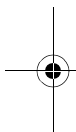
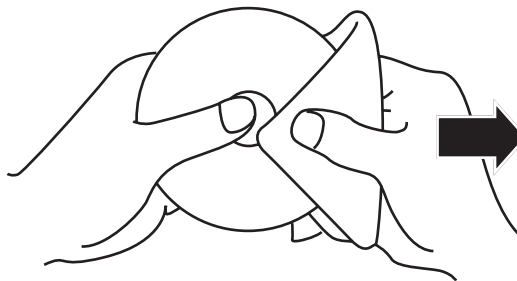
A dirty, scratched, or warped CD may cause skipping or noise.

#### To care for CDs:

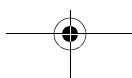
- Hold CDs by their edges.
- Store CDs in their cases when you are not using them.
- Do not expose CDs to direct sunlight, high humidity, high temperature, or dust. Prolonged exposure to extreme temperatures can warp CDs.
- Do not stick labels or tape on CDs.

#### To clean a CD:

- With a soft cloth, wipe the CD from the center to the outer edge.



**Caution:** Never use thinner, benzene, record cleaner, or anti-static spray on a CD, or you will damage the surface.



NS-P3114 Portable CD Player



## Specifications

Design and specifications are subject to change without notice.

<b>Pick up</b>	
System	Compact disc digital audio system
Properties	Wavelength: 780 nm
Supported disc types	Audio CD, CD-R, CD-RW, MP3, WMA
<b>Audio</b>	
D/A conversion	DAC
Frequency response	20-20,000 Hz
Wow and filter	Below measurable limits
Number of channels	2-channel (stereo)
Output level	Headphones: 15 mW
Bass Boost effect (100 Hz)	> 6 dB
<b>Radio</b>	
Frequency range	FM: 87.5-108 MHz

**INSIGNIA** NS-P3114 Portable CD Player

**Memory card reader**

Supported file formats	<ul style="list-style-type: none"> <li>• MP3</li> <li>• WMA</li> </ul>
Supported file systems	<ul style="list-style-type: none"> <li>• FAT12</li> <li>• FAT16</li> <li>• FAT32</li> </ul>
Supported bit rate playback	MP3: 32 Kbps-320 Kbps WMA: 16 Kbps-160 Kbps
Supported memory	16 MB-2 GB
<b>Display</b>	LCD

**General**

Power requirements	<ul style="list-style-type: none"> <li>• 2 x AA alkaline battery 1.5 V LR6 (not included)</li> <li>• 2xAA Ni-Cd/Ni-MH rechargeable batteries 1.2 V 650 mA (not included)</li> <li>• DC in 6 V 500 mA jack that accepts AC 120 V 60 Hz power adapter (center positive) (not included)</li> </ul>
Power consumption	0.8 W (DC 3 V) under normal conditions
Dimensions L x W x H	Approx. 5.5 x 5.6 x 1.2 inches (140 x 144 x 29 mm)
Weight	Approx. 8.5 ounces (240 g)



NS-P3114 Portable CD Player



## Troubleshooting

Symptom	Probable cause	Solution
Player will not turn on.	Dead or weak batteries.	Replace the batteries
	AC adapter is not connected correctly.	Make sure that the AC adapter is connected correctly.
CD will not play.	CD is inserted incorrectly.	Insert the CD with the label facing up.
	CD is defective.	Try another CD.
	CD door is not closed.	Close the door.
	Condensation has formed inside the player.	Remove the CD and leave the CD door open for about one hour to let the condensation evaporate.
No sound from headphones.	Headphones are not connected correctly.	Make sure that the headphone plug is plugged into the headphone jack.
	Volume is set to minimum.	Increase the volume.
	Batteries are weak.	Replace the batteries or use the AC adapter.
	CD is defective.	Try another CD.

**INSIGNIA** NS-P3114 Portable CD Player

Symptom	Probable cause	Solution
Sound is skipping.	CD or lens is dirty.	Clean the CD or lens.
	Player subjected to strong vibrations.	Place the player on a level, stable surface.
Buttons do not work.	Hold function is turned on.	Slide the <b>HOLD</b> switch to the left to unlock the buttons.
Irregular characters displayed on the LCD.	The batteries are weak.	Replace the batteries.
	The player has been subjected to electro-static discharge (static electricity).	Open and close the CD door, then restart the player.
Cannot play DIY MP3 files.	The player is not compatible with DIY MP3 files.	Different compression tools use different compression formats and compression rates. The player supports the standard MP3 format. When you create MP3 files, do not use the MPEG 1 Layer 1 or MPEG 1 layer 2 standard. Use the MPEG 1 Layer 3 format instead.
The time on the LCD is incorrect when playing MP3 files.	The MP3 file was created using the VBR (variable compression speed rate).	Create MP3 files with a stable speed rate.

NS-P3114 Portable CD Player



Symptom	Probable cause	Solution
Some MP3 files will not play.	The MP3 file was created using the MPEG 1 Layer 1 or MPEG 1 Layer 2 format.	The MPEG 1 Layer 1 and MPEG 1 Layer 2 formats are older formats and are not compatible with the player. If you try to play MPG files created in these older formats, the player may skip the file or shut down. Delete the old MPEG-formatted files from the CD. Create MPG files using the MPEG 1 Layer 3 format.

**Legal notices**

**FCC statement**

This device complies with Part 15 of the FCC Rules. Operation is subject to the following two conditions:

(1) this device may not cause harmful interference, and (2) this device must accept any interference received, including interference that may cause undesired operation.

The CD circuitry may cause interference to nearby radios. To prevent interference, either switch the CD player off or move away from the affected radio.

**Note:** This equipment has been tested and found to comply within the limits for a class B digital device, pursuant to Part 15 of the FCC Rules. These limits are designed to provide reasonable protection against harmful interference in a residential installation. This equipment generates, uses and can radiate radio frequency energy and, if not installed and used in accordance with the instructions, may cause harmful interference to radio communications. However, there is no guarantee that interference will not occur in a particular installation.

## INSIGNIA NS-P3114 Portable CD Player

If this equipment does cause harmful interference to radio or television reception, which can be determined by turning the equipment off and on, the user is encouraged to try to correct the interference by one or more of the following measures:

- Reorient or relocate the receiving antenna.
- Increase the separation between the equipment and receiver.
- Connect the equipment into an outlet on a circuit different from that to which the receiver is connected.
- Consult the dealer or an experienced radio / TV technician for help.

This Class B digital apparatus complies with Canadian ICES-003.

**Caution:** Changes or modifications not expressly approved by the party responsible for compliance could void the user's authority to operate the equipment.

### Safety certification

This Compact Disc Player is made and tested to meet safety standards of the FCC, requirements and compliance with safety performance of the U.S. Department of Health and Human Services, and also with FDA Radiation Performance Standards 21 CFR Subchapter J.

### Laser safety

**Caution:** Invisible laser radiation when open and interlock failed or defeated. Avoid direct exposure to laser beam.

This unit employs an optical laser beam system in the CD mechanism, designed with built-in safeguards. Do not attempt to disassemble; refer to qualified service personnel. Exposure to this invisible laser light beam may be harmful to the human eye.

This is a Class-1 laser product. Use of controls, or adjustments or procedures other than those specified herein, may result in hazardous laser light beam exposure.

### Limited Warranty

Insignia Products warrants to you, the original purchaser of this Product, that this product shall be free of defects in material or workmanship for a period of ninety (90) days from the date of purchase as follows:

- 1 **LABOR:** During the Warranty Period if this Product is determined to be defective, Insignia will repair or replace the Product, at its option at no charge, or pay the labor charges to any Insignia authorized service facility. After the Warranty Period, you must pay for all labor charges.
- 2 **PARTS:** In addition, Insignia will supply, at no charge, new or rebuilt replacement parts in exchange for defective parts for the Warranty Period. After the Warranty Period, you must pay all parts costs.

To obtain warranty service, you must take the Product with your original receipt or other proof of purchase, either in its original packaging or packaging affording an equal degree of protection, to your nearest retail store location of the store or online web site from which you purchased the Product.



## NS-P3114 Portable CD Player

**INSIGNIA**



This warranty does not cover cosmetic damage or damage due to acts of God, lightning strikes, accident, misuse, abuse, negligence, commercial use, or modification of, or to any part of the Product, including the antenna. This warranty does not cover damage due to improper operation or maintenance, connection to improper voltage supply, or attempted repair by anyone other than a facility authorized by Insignia to service the Product. This warranty does not cover Products sold AS IS or WITH ALL FAULTS, or consumables (such as fuses or batteries). This warranty is valid only in the United States and Canada.

This warranty is invalid if the factory applied serial number has been altered or removed from the Product.

REPAIR REPLACEMENT AS PROVIDED UNDER THIS WARRANTY IS THE EXCLUSIVE REMEDY OF THE CONSUMER. INSIGNIA SHALL NOT BE LIABLE FOR ANY INCIDENTAL OR CONSEQUENTIAL DAMAGES FOR BREACH OF ANY EXPRESS OR IMPLIED WARRANTY ON THIS PRODUCT. EXCEPT TO THE EXTENT PROHIBITED BY APPLICABLE LAW, ANY IMPLIED WARRANTY, REPRESENTATION OR CONDITION OF MERCHANTABILITY OR FITNESS FOR A PARTICULAR PURPOSE ON THIS PRODUCT IS LIMITED IN DURATION TO THE DURATION OF THIS WARRANTY.

Some states or provinces do not allow the exclusion or limitation of incidental or consequential damages, or allow limitations on how long an implied warranty lasts, so the above limitations or exclusions may not apply to you. This warranty gives you specific legal rights, and you may have other rights which vary from state to state, or province to province.

For customer service, please call 1-877-467-4289.

[www.insignia-products.com](http://www.insignia-products.com)

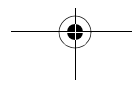
Insignia Products, Richfield, Minnesota, U.S.A.

### Copyright

© 2005 Insignia. Insignia and the Insignia logo are trademarks of Best Buy Enterprise Services, Inc. Other brands and product names are trademarks or registered trademarks of their respective holders. Specifications and features are subject to change without notice or obligation.

Support number: (877) 467-4289

URL: [www.insignia-products.com](http://www.insignia-products.com)





## INSIGNIA NS-P3114 Portable CD Player

### Bienvenue



Félicitations d'avoir acheté ce produit Insignia de haute qualité. Le lecteur de CD portatif NS-P3114 avec connecteur de carte mémoire et syntoniseur numérique FM représente la dernière avancée technologique en matière de lecteur de CD portatif et a été conçu pour des performances et une fiabilité exceptionnelles.

### Table des matières

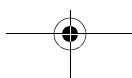
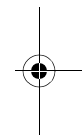
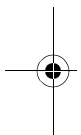
Information sur la sécurité	28
Fonctionnalités	29
Fonctionnement du lecteur	26
Entretien	49
Spécifications	51
Problèmes et solutions	53
Avis juridiques	56

### Information sur la sécurité

Lire ces instructions avant d'utiliser le lecteur.

#### Avertissements :

- Afin de réduire les risques d'incendie et de choc électrique, ne pas exposer le lecteur à la pluie ou à l'humidité.
- Ne pas ouvrir le boîtier. Confier la réparation à un technicien spécialisé.
- Ne pas exposer le lecteur à une chaleur excessive, à la lumière solaire directe, à la poussière, à l'humidité, à des vibrations ou à des chocs.
- N'utiliser que l'adaptateur CA livré avec le lecteur. D'autres adaptateurs pourraient endommager le lecteur.
- Débrancher le lecteur de la prise électrique murale lorsqu'il n'est pas prévu de l'utiliser pendant une longue période.
- Pour le nettoyage, n'utiliser qu'un chiffon doux et sec, éviter totalement l'usage de solvants ou produits de nettoyage du commerce, car ils pourraient endommager ou décolorer la finition du lecteur.
- Ne pas utiliser de casque d'écoute en conduisant un véhicule à moteur. Cela pourrait représenter un danger pour la circulation et est illégal dans de nombreux endroits.



## NS-P3114 Portable CD Player

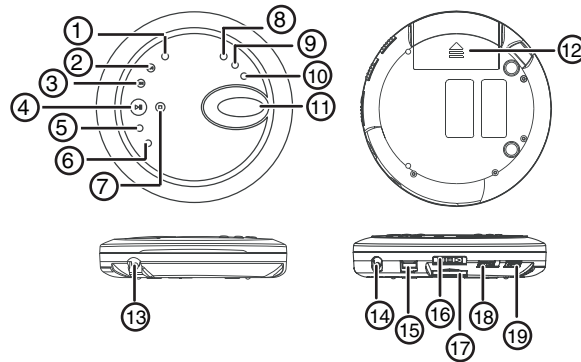
**INSIGNIA**

### Fonctionnalités

Fonctionnalités du lecteur :

- Lecture de CD audio, MP3 et WMA
- Lecteur de cartes mémoires SD et MMC
- Syntoniseur radio FM
- Casque d'écoute qui fournit une excellente qualité stéréo à un niveau de volume normal, tout en permettant d'entendre les sons extérieurs.
- Protection antichoc qui utilise un processeur à lecture anticipée et une mémoire tampon avancée pour réduire considérablement ou éliminer les sauts de lecture
- Télécommande
- Arrêt automatique après 30 secondes d'inactivité
- Fonctionnement sur piles
- Adaptateur CA en option

### Composants du lecteur



**INSIGNIA** NS-P3114 Portable CD Player

	Commande	Description
1	PROG/+10/MEM	Si un CD se trouve dans le lecteur et que le lecteur est arrêté, appuyer sur cette touche pour créer une liste des pistes du CD audio ou de chansons MP3 ou WMA. Pendant la lecture d'une chanson MP3 ou WMA, cette touche permet d'avancer de 10 chansons sur le CD ou la carte mémoire. Si la radio est allumée, cette touche permet de pré-régler des stations de radio.
2	SAUT +/SYNTONISATION +	Pendant la lecture d'un CD ou d'une carte mémoire, appuyer sur cette touche pour passer à la piste suivante du CD audio ou à la chanson MP3 ou WMA suivante. Si la radio est allumée, appuyer sur cette touche pour rechercher la station suivante par ordre croissant de fréquence.
3	SAUT -/SYNTONISATION -	Pendant la lecture d'un CD ou d'une carte mémoire, appuyer sur cette touche pour passer à la piste précédente du CD audio ou à la chanson MP3 ou WMA précédente. Si la radio est allumée, appuyer sur cette touche pour rechercher la station suivante par ordre décroissant de fréquence.



## NS-P3114 Portable CD Player

**INSIGNIA**

	Commande	Description
4	LECTURE/PAUSE/MARCHE	Si le lecteur est éteint, appuyer sur cette touche pour l'allumer. Pendant la lecture d'un CD, cette touche permet d'arrêter momentanément la lecture. Appuyer de nouveau sur cette touche pour reprendre la lecture.
5	ANTICHOC/ PRÉRÉGLAGES +/ALBUM +	Pendant la lecture d'un CD audio, cette touche permet d'activer ou de désactiver la fonction antichoc. Dans le cas de la lecture d'un CD ou d'une carte mémoire contenant des chansons MP3 ou WMA, si le CD ou la carte mémoire contiennent plusieurs albums, cette touche permet de passer à l'album suivant. Si la radio est allumée, cette touche permet de passer à la station préréglée suivante.
6	PRÉRÉGLAGES -/ALBUM -	Dans le cas de la lecture d'un CD ou d'une carte mémoire contenant des chansons MP3 ou WMA, si le CD ou la carte mémoire contiennent plusieurs albums, cette touche permet de passer à l'album précédent. Si la radio est allumée, appuyer pour passer à la station préréglée précédente.
7	ARRÊT/MISE HORS TENSION	Pendant la lecture d'un CD ou d'une carte mémoire, cette touche permet d'arrêter la lecture. Si la lecture du CD ou de la carte mémoire est arrêtée ou si la radio est allumée, cette touche permet de mettre le lecteur hors tension.

**INSIGNIA** NS-P3114 Portable CD Player

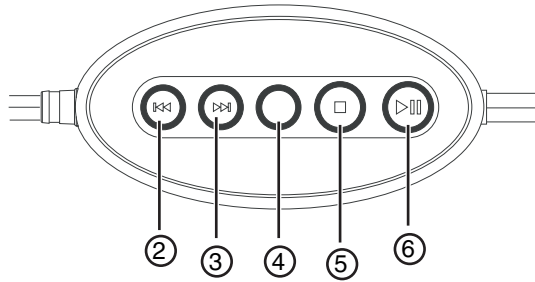
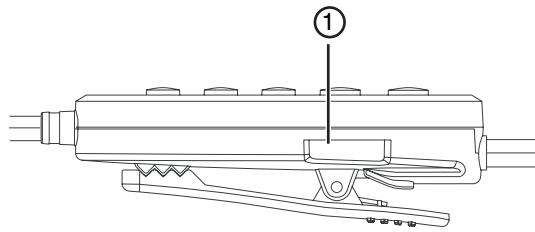
	Commande	Description
8	MODE/ST/MONO	Pendant la lecture d'un CD ou d'une carte mémoire, appuyer une ou plusieurs fois sur cette touche pour sélectionner un mode de lecture. Il est possible de sélectionner : <ul style="list-style-type: none"><li>• RÉPÉTER 1</li><li>• RÉPÉTER ALBUM (CD MP3 et WMA et carte mémoire uniquement)</li><li>• RÉPÉTER TOUT</li><li>• INTRODUCTION</li><li>• ALÉATOIRE</li></ul> Si la radio est allumée, appuyer pour sélectionner le mode son. Il est possible de sélectionner : <ul style="list-style-type: none"><li>• Stéréo</li><li>• Mono</li></ul>
9	COPIER	Permet de copier des pistes d'un CD audio sur une carte mémoire. Le lecteur convertit les pistes du CD audio au format MP3 et les enregistre sur une carte mémoire.
10	FONCTION	Permet de sélectionner le type de média. Il est possible de sélectionner : <ul style="list-style-type: none"><li>• DISQUE</li><li>• CARTE MÉMOIRE</li><li>• FM</li></ul>
11	ACL	Affiche des informations relatives à l'état du lecteur.
12	Couvercle du compartiment des piles	Ouvrir pour installer ou remplacer les piles.
13	Entrée CC	Brancher l'adaptateur d'alimentation Ca en option sur cette prise.

## NS-P3114 Portable CD Player

**INSIGNIA**

	Commande	Description
14	Prise de casque d'écoute	Brancher le casque d'écoute sur cette prise.
15	VOLUME	Tourner pour régler le volume.
16	Touche d'ouverture du couvercle du compartiment du CD	Glisser vers la droite pour ouvrir le couvercle du compartiment du CD.
17	Connecteur de la carte mémoire	Insérer une carte mémoire MMC ou SD dans ce connecteur.
18	AMPLIFICATION DES GRAVES	Glisser en position marche (ON) pour activer la fonction d'amplification des graves. Glisser en position arrêt (OFF) pour désactiver la fonction d'amplification des graves. La fonction d'amplification des graves augmente le niveau sonore des graves.
19	BLOCAGE	Glisser vers la droite pour verrouiller les commandes du lecteur. Glisser vers la gauche pour déverrouiller les commandes du lecteur.

**INSIGNIA** NS-P3114 Portable CD Player  
**Télécommande**

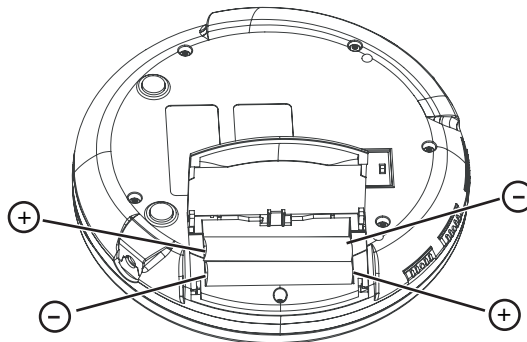


## NS-P3114 Portable CD Player

**INSIGNIA**

	Commande	Description
1	Volume	Tourner pour régler le volume.
2	SAUT -/ SYNTONISATION -	Pendant la lecture d'un CD ou d'une carte mémoire, appuyer sur cette touche pour revenir à la piste précédente du CD audio ou à la chanson MP3 ou WMA précédente. Si la radio est allumée, appuyer sur cette touche pour rechercher la station suivante par ordre décroissant de fréquence.
3	SAUT +/ SYNTONISATION +	Pendant la lecture d'un CD ou d'une carte mémoire, appuyer sur cette touche pour passer à la piste suivante du CD audio ou à la chanson MP3 ou WMA suivante. Si la radio est allumée, appuyer sur cette touche pour rechercher la station suivante par ordre croissant de fréquence.
4	FONCTION	Permet de sélectionner le type de média. Il est possible de sélectionner : <ul style="list-style-type: none"><li>• DISQUE</li><li>• CARTE MÉMOIRE</li><li>• FM</li></ul>
5	ARRÊT/MISE HORS TENSION	Pendant la lecture d'un CD ou d'une carte mémoire, cette touche permet d'arrêter la lecture. Si la lecture du CD ou de la carte mémoire est arrêtée ou si la radio est allumée, cette touche permet de mettre le lecteur hors tension.
6	LECTURE/PAUSE/ MARCHE	Si le lecteur est éteint, appuyer sur cette touche pour l'allumer. Pendant la lecture d'un CD, cette touche permet d'arrêter momentanément la lecture. Appuyer de nouveau sur cette touche pour reprendre la lecture.

**INSIGNIA** NS-P3114 Portable CD Player  
**Fonctionnement du lecteur**  
**Installation des piles**




**Pour installer les piles :**

- 1 Ouvrir le couvercle du compartiment des piles.
- 2 Insérer deux piles alcalines AA (non fournies) dans le compartiment des piles. Veiller à ce que les pôles + et - des piles coïncident avec les indications + et - figurant à l'intérieur du compartiment des piles.
- 3 Replacer le couvercle du compartiment des piles.

Remarque : Retirer les piles du compartiment des piles avant d'utiliser l'adaptateur d'alimentation CA.

**Alerte de piles faibles**

Lorsque le témoin de pile  s'affiche sur l'écran ACL, il faut remplacer les piles.

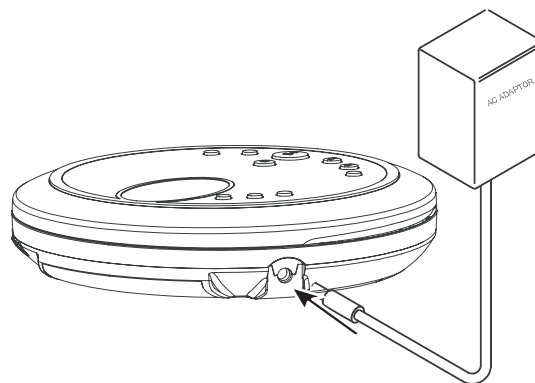
Pour remplacer les piles :

- Ne pas essayer de les recharger, de les mettre en court-circuit, de les ouvrir, de les chauffer ou de les mettre au feu.
- Ne pas mélanger différents types de piles (alcalines et carbone-zinc).
- Au moment de remplacer les piles, ne pas mélanger des piles neuves et des piles usagées.
- Toujours remplacer les piles déchargées, car elles pourraient fuir et endommager le lecteur.

NS-P3114 Portable CD Player

**INSIGNIA**

### Connexion de l'adaptateur d'alimentation CA



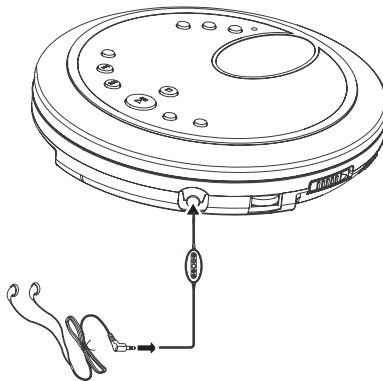
#### Pour connecter l'adaptateur d'alimentation CA :

- 1 Brancher le cordon d'alimentation de l'adaptateur CA sur la prise d'entrée CC.
- 2 Brancher l'autre extrémité du cordon d'alimentation de l'adaptateur CA sur une prise secteur.

**Attention :** Utiliser le type d'adaptateur CA de 6 V recommandé et s'assurer que la tension locale correspond à la tension requise pour l'adaptateur CA.

**Remarque :** Retirer les piles du compartiment des piles avant d'utiliser l'adaptateur d'alimentation CA.

**INSIGNIA** NS-P3114 Portable CD Player  
**Connexion du casque d'écoute**



**Pour connecter le casque d'écoute :**

- Brancher le casque d'écoute sur la prise pour casque (cette prise est de couleur verte).

**Attention :** Éviter les volumes trop élevés. Cela pourrait entraîner une perte de l'ouïe.

**Amplification des basses**

La fonction d'amplification des graves augmente le niveau sonore des graves. Lors d'une écoute à faible volume, l'amplification des graves produit un son plus riche.

**Pour et activer et désactiver l'amplification des graves :**

- Pour activer l'amplification des graves, glisser le commutateur d'**Amplification des graves** en position **ON** (Marche). Lorsque l'amplification des graves est activée, **BASS** s'affiche sur l'écran ACL.
- Pour désactiver l'amplification des graves, glisser le commutateur en position **OFF** (Arrêt).



## NS-P3114 Portable CD Player

INSIGNIA™

**Mise sous/hors tension du lecteur**

Le lecteur n'a pas de touche de mise sous tension.

**Pour mettre le lecteur sous et hors tension :**

- 1 Appuyer sur la touche **LECTURE/PAUSE/MARCHE** pour mettre le lecteur sous tension et commencer la lecture.
- 2 Pendant la lecture d'un CD, appuyer une fois sur la touche **ARRÊT/MISE HORS TENSION** pour mettre le lecteur en mode d'attente. Si, pendant la lecture d'un CD ou d'une carte mémoire, le lecteur est mis en mode d'attente ou le couvercle du compartiment du CD est ouvert pendant plus de 30 secondes, le lecteur s'éteint automatiquement.
- 3 Si le lecteur est en mode de lecture de CD ou de carte mémoire et qu'il est arrêté, ou si la radio est allumée, appuyer sur la touche **ARRÊT/MISE HORS TENSION** pour mettre le lecteur hors tension.

**Utilisation du commutateur de Blocage**

Il est possible de verrouiller les commandes du lecteur afin que les réglages ne soient pas accidentellement modifiés.

**Pour verrouiller et déverrouiller les commandes du lecteur :**

- Glisser le commutateur **BLOCAGE** vers la droite pour verrouiller les commandes.
- Glisser le commutateur **BLOCAGE** vers la gauche pour déverrouiller les commandes.

**Utilisation de la fonction antichoc**

Pendant la lecture d'un CD, la fonction antichoc réduit ou élimine les sauts de lecture lors des déplacements du lecteur. La fonction antichoc peut être activée ou désactivée pour la lecture de CD audio. Pendant la lecture de CD MP3 ou WMA, la fonction antichoc est toujours activée.

**Pour activer ou désactiver la fonction antichoc :**

- Maintenir appuyée la touche **ANTICHOC/PRÉRÉGLAGES +/-ALBUM +** pendant environ une seconde pour activer la fonction antichoc. Lorsque que la fonction antichoc est activée, **ESP** s'affiche sur l'écran ACL.
- Maintenir appuyée de nouveau cette touche pour désactiver la fonction antichoc.

**Attention :** Si le lecteur subit des chocs excessifs et continuels, la mémoire tampon arrive à saturation et la musique saute.

**Remarques :**

- Lorsque que la fonction antichoc est activée, la charge des piles est utilisée plus rapidement car le CD tourne plus vite.
- Si le CD est sale, rayé ou voilé, il pourra sauter même si la fonction antichoc est activée.

## INSIGNIA NS-P3114 Portable CD Player

### Lecture de CD et de cartes mémoires

Le lecteur peut lire des CD audio standard, ainsi que des chansons MP3 et WMA enregistrées sur un CD ou une carte mémoire.

#### Pour lire un CD :

- 1 Brancher le casque d'écoute.
- 2 Mettre le lecteur sous tension.
- 3 Glisser vers la droite la touche d'ouverture du couvercle du compartiment du CD pour ouvrir le couvercle.
- 4 Insérer un CD avec l'étiquette vers le haut.
- 5 Refermer doucement le couvercle du compartiment du CD. La lecture commence automatiquement.
- 6 Pour arrêter momentanément la lecture, appuyer sur la touche **LECTURE/PAUSE/MARCHE**. Appuyer de nouveau sur cette touche pour reprendre la lecture normale.
- 7 Appuyer sur la touche **ARRÊT/MISE HORS TENSION** pour arrêter la lecture.

#### Remarques :

- Les fichiers MP3 doivent avoir l'extension de fichier .MP3. Les fichiers WMA doivent avoir l'extension de fichier .WMA.
- La qualité de la lecture de chansons MP3 et WMA enregistrées sur des CD-R ou des CD-RW peut être affectée par la qualité du CD, par l'application de gravure utilisée pour créer le CD, par les paramètres utilisés dans l'application de gravure et par le type de graveur de CD utilisé. Il est recommandé de graver des CD MP3 ou WMA entre une vitesse minimale de 4x et une vitesse maximale de 6x.
- Si Windows® Media Player est utilisé pour créer des CD MP3 et WMA, ne pas cocher la case **Protéger la musique contre la copie** dans le menu **Options**.
- Dans le cas de chansons achetées et téléchargées à partir de magasins de musique en ligne, utiliser Windows Media Player pour graver les chansons sur un CD. De nombreuses chansons téléchargées sont protégées par le dispositif DRM (Gestion des droits numériques) de Microsoft® ; elles seront illisibles si le CD est créé à l'aide d'un autre programme.

#### Information affichée sur l'ACL

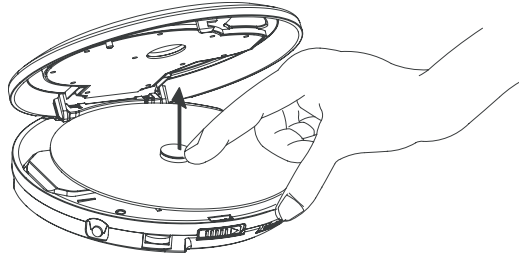
- Lorsque le lecteur est allumé et que le couvercle du compartiment du CD est ouvert, **OPEN** (Ouvert) s'affiche sur l'écran ACL.
- Lorsque le lecteur est allumé et que le couvercle du compartiment du CD est fermé, **Read Disc** (Lit le disque) s'affiche sur l'écran ACL pendant que le lecteur lit le CD. Si le lecteur ne reconnaît pas le format du CD, ou si aucun CD n'a été inséré, **NO DISC** (Pas de disque) ou **ERR DISC** (Erreur disque) s'affiche sur l'écran ACL.
- Pendant la lecture d'un CD, l'appui sur la touche **LECTURE/PAUSE/MARCHE** fait clignoter la durée écoulée sur l'écran ACL.

## NS-P3114 Portable CD Player

**INSIGNIA**

### Pour retirer un CD :

- 1 Pendant la lecture d'un CD, appuyer sur la touche **ARRÊT/MISE HORS TENSION**, puis attendre que le CD arrête de tourner.
- 2 Ouvrir le couvercle du compartiment du CD.
- 3 En tenant le lecteur par les bords, appuyer délicatement sur l'axe central pour libérer le CD.



- 4 Dégager le CD de l'axe, puis le retirer.

### Lecture de chansons sur une carte mémoire

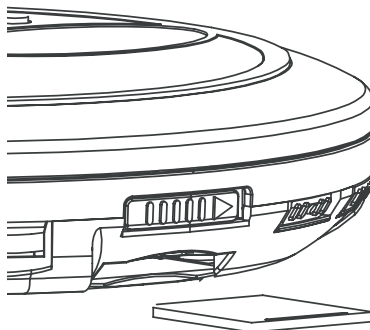
Le lecteur peut lire des chansons sur une carte mémoire SD ou MMC

#### Pour lire des chansons sur une carte mémoire :

- 1 Brancher le casque d'écoute.
- 2 Mettre le lecteur sous tension.
- 3 Appuyer une ou plusieurs fois sur la touche **FONCTION** pour sélectionner **MEMORY CARD** (Carte mémoire).

## INSIGNIA NS-P3114 Portable CD Player

- 4 Insérer une carte mémoire dans le connecteur prévu à cet effet. Le lecteur identifie la carte, puis commence la lecture automatiquement.



- 5 Pour arrêter momentanément la lecture, appuyer sur la touche **LECTURE/PAUSE/MARCHE**. Appuyer de nouveau sur cette touche pour reprendre la lecture normale.  
6 Appuyer sur la touche **ARRÊT/MISE HORS TENSION** pour arrêter la lecture.

### Information affichée sur l'ACL

- Les fichiers MP3 doivent avoir l'extension de fichier .MP3. Les fichiers WMA doivent avoir l'extension de fichier .WMA. Si aucun fichier MP3 ou WMA n'est sur la carte, **CARD IS INVALID** (Carte non valide) s'affiche sur l'ACL.
- Si le lecteur est en mode Carte mémoire et qu'aucune carte mémoire n'a été insérée dans le connecteur, **NO CARD** (Pas de carte) s'affiche sur l'ACL.
- Si les commandes du lecteur sont verrouillées (le commutateur de **BLOCAGE** est en position **ON** [Marche]) et une carte mémoire est insérée dans le connecteur, **CARD IS PROTECTED** (Carte protégée) s'affiche sur l'ACL.

NS-P3114 Portable CD Player

**INSIGNIA****Recherche de pistes sur des CD audio****Pour rechercher une piste sur un CD audio :**

- Pour passer à la piste suivante sur un CD, appuyer sur la touche **SAUT +/SYNTONISATION +**.
- Pour effectuer une recherche avant sur un CD, maintenir la touche **SAUT +/SYNTONISATION +** enfoncée jusqu'à la piste souhaitée, puis la relâcher.
- Pour revenir à la piste précédente sur un CD, appuyer sur la touche **SAUT -/SYNTONISATION -**.
- Pour effectuer une recherche arrière sur un CD, maintenir la touche **SAUT -/SYNTONISATION -** enfoncée jusqu'à la piste souhaitée, puis la relâcher.
- Pour trouver une piste en lisant les quelques premières secondes de chaque piste, appuyer trois fois sur la touche **MODE/ST/MONO**. Le lecteur joue alors les quelques premières secondes de chaque piste. À la lecture de la piste souhaitée, appuyer de nouveau sur la touche **MODE/ST/MONO**.

**Recherche de chansons MP3 ou WMA sur un CD ou une carte mémoire****Pour rechercher des chansons MP3 ou WMA sur un CD ou une carte mémoire :**

- Pour passer à la chanson suivante, appuyer sur la touche **SAUT +/SYNTONISATION +**.
- Pour effectuer une recherche avant, maintenir la touche **SAUT +/SYNTONISATION +** enfoncée jusqu'à la chanson souhaitée, puis la relâcher.
- Pour revenir à la chanson précédente, appuyer sur la touche **SAUT -/SYNTONISATION -**.
- Pour effectuer une recherche arrière, maintenir la touche **SAUT -/SYNTONISATION -** enfoncée jusqu'à la chanson souhaitée, puis la relâcher.
- Pour passer à l'album suivant sur un CD ou une carte mémoire qui comporte plusieurs albums, appuyer sur la touche **ANTICHOC/PRÉRÉGLAGES +/ALBUM +**.
- Pour revenir à l'album précédent sur un CD ou une carte mémoire qui comporte plusieurs albums, appuyer sur la touche **PRÉRÉGLAGES -/ALBUM -**.
- Pour effectuer un saut en avant de 10 chansons, appuyer sur la touche **PROG/+10/MEM**.
- Pour trouver une chanson en lisant les quelques premières secondes de chaque chanson, appuyer quatre fois sur la touche **MODE/ST/MONO**.

**INSIGNIA** NS-P3114 Portable CD Player**Répétition de pistes ou de chansons****Pour répéter des pistes ou des chansons :**

- 1 Mettre le lecteur sous tension et insérer un CD.
- 2 Sélectionner le mode de répétition souhaité comme suit :
  - Appuyer une fois sur la touche **MODE/ST/MONO** pour répéter la piste en cours sur un CD audio ou la chanson MP3 ou WMA sur un CD ou une carte mémoire.
  - Appuyer deux fois sur la touche **MODE/ST/MONO** pour répéter toutes les pistes sur un CD audio ou un album sur un CD MP3 ou WMA ou une carte mémoire.
  - Appuyer trois fois sur la touche **MODE/ST/MONO** pour répéter toutes les chansons MP3 ou WMA sur un CD ou une carte mémoire.
- 3 Appuyer une ou plusieurs fois sur la touche **MODE/ST/MODE** pour sortir du mode de répétition et revenir à la lecture normal.

**Lecture de pistes ou de chansons dans un ordre aléatoire****Pour lire les pistes ou les chansons dans un ordre aléatoire :**

- 1 Mettre le lecteur sous tension et insérer un CD.
- 2 Appuyer quatre fois sur la touche **MODE/ST/MONO** pour lire les pistes d'un CD audio dans un ordre aléatoire, ou appuyer cinq fois sur la touche **MODE/ST/MONO** pour lire les chansons MP3 ou WMA sur un CD ou une carte mémoire dans un ordre aléatoire. **RDM (ALÉATOIRE)** s'affiche sur l'écran **ACL** et le lecteur lit les pistes ou les chansons dans un ordre aléatoire.
- 3 Appuyer une ou plusieurs fois sur la touche **MODE/ST/MODE** pour sortir du mode de aléatoire et revenir à la lecture normal.

**Création d'une liste de lecture**

Il est possible de créer une liste de lecture de pistes d'un CD audio ou de chansons MP3 ou WMA d'un CD ou d'une carte mémoire. Jusqu'à 60 chansons peuvent être ajoutées à la liste de lecture.

**Pour créer une liste de lecture à partir d'un CD audio :**

- 1 Mettre le lecteur sous tension et insérer un CD audio.
- 2 Appuyer sur la touche **ARRÊT/MISE HORS TENSION** pour arrêter la lecture.
- 3 Appuyer sur la touche **PROG/+10/MEM. PGM** s'affiche sur l'écran **ACL**.
- 4 Appuyer sur l'une des touches **SAUT -/SYNTOINISATION -** ou **SAUT +/SYNTOINISATION +** pour sélectionner la piste souhaitée.
- 5 Appuyer sur la touche **PROG/+10/MEM** pour confirmer la sélection.
- 6 Répéter les étapes 3 à 5 pour ajouter des pistes supplémentaires à la liste de lecture.
- 7 Appuyer sur la touche **LECTURE/PAUSE/MARCHE** pour commencer la lecture.

## NS-P3114 Portable CD Player

**INSIGNIA**

### Pour créer une liste de lecture MP3 ou WMA :

- 1 Mettre le lecteur sous tension et insérer un CD MP3 ou WMA ou une carte mémoire.
- 2 Appuyer sur la touche **PROG/+10/MEM. PGM** s'affiche sur l'écran ACL.
- 3 Si le CD ou la carte mémoire comporte plusieurs albums, appuyer sur l'une des touches **ANTICHOC/PRÉREGLAGES +/ALBUM +** ou **PRÉREGLAGES -/ALBUM -** pour sélectionner l'album souhaité.
- 4 Appuyer sur l'une des touches **SAUT -/SYNTONISATION -** ou **SAUT +/SYNTONISATION +** pour sélectionner la chanson souhaitée, puis appuyer sur la touche **PROG/+10/MEM.**
- 5 Répéter les étapes 3 et 4 pour ajouter des chansons supplémentaires à la liste de lecture.
- 6 Appuyer sur la touche **LECTURE/PAUSE/MARCHE** pour commencer la lecture.

### Pour supprimer une liste de lecture :

- Appuyer deux fois sur la touche **ARRÊT/MISE HORS TENSION.**
- Ouvrir le couvercle du compartiment du CD.
- Retirer la carte mémoire.
- Passer en mode **RADIO.**
- Mettre le lecteur hors tension.

### Suppression de chansons de la carte mémoire

#### Pour supprimer des chansons de la carte mémoire :

- 1 Mettre le lecteur sous tension.
- 2 Appuyer une ou plusieurs fois sur la touche **FONCTION** pour sélectionner une **CARTE MÉMOIRE.**
- 3 Insérer une carte mémoire dans le connecteur prévu à cet effet. Le lecteur identifie la carte, puis commence la lecture automatiquement.
- 4 Appuyer sur la touche **ARRÊT/MISE HORS TENSION.**
- 5 Appuyer une ou plusieurs fois sur la touche **COPIE** pour sélectionner **Delete ? (Supprimer ?)** puis appuyer sur la touche **LECTURE/PAUSE/MARCHE.**
- 6 Appuyer sur la touche **MODE/ST/MONO** pour sélectionner la chanson à supprimer. Il est possible de sélectionner :
  - Track Del? (Supprimer piste ?) – Supprime une seule chanson.
  - Album Del? (Supprimer album ?) – Supprime un album
  - PGM Del? (Supprimer programme ?) – Supprime un bloc.

## INSIGNIA NS-P3114 Portable CD Player

- 7 Si l'option sélectionnée est :
- Track Del? (Supprimer piste ?) – Appuyer sur la touche **PRÉRÉGLAGES –/ALBUM –** ou **PRÉRÉGLAGES +/ALBUM +** pour sélectionner l'album qui a la chanson à supprimer ; appuyer sur **SAUT –/SYNTONISATION –** ou **SAUT +/SYNTONISATION +** pour sélectionner la chanson à supprimer, puis appuyer sur la touche **LECTURE/PAUSE/MARCHE** pour supprimer la chanson.
  - Album Del? (Supprimer album ?) – Appuyer sur la touche **PRÉRÉGLAGES –/ALBUM –** ou **PRÉRÉGLAGES +/ALBUM +** pour sélectionner l'album à supprimer, puis appuyer sur la touche **LECTURE/PAUSE/MARCHE** pour supprimer l'album.
  - PGM Del? (Supprimer programme ?) – Appuyer sur la touche **PRÉRÉGLAGES –/ALBUM –** ou **PRÉRÉGLAGES +/ALBUM +** pour sélectionner l'album qui a les chansons à supprimer ; appuyer sur **SAUT –/SYNTONISATION –** ou **SAUT +/SYNTONISATION +** pour sélectionner la première chanson à supprimer, puis appuyer sur la touche **PROG/+10/MEM** pour mettre en surbrillance un bloc à supprimer. Appuyer sur la touche **LECTURE/PAUSE/MARCHE** pour supprimer le bloc.

### Formatage de la carte mémoire

Le formatage d'une carte mémoire est le moyen le plus rapide de supprimer toutes les chansons sur une carte et peut permettre de résoudre des problèmes de lecture de la carte.

#### Pour formater une carte mémoire :

- 1 Mettre le lecteur sous tension.
- 2 Appuyer une ou plusieurs fois sur la touche **FONCTION** pour sélectionner **MEMORY CARD** (Carte mémoire).
- 3 Insérer une carte mémoire dans le connecteur prévu à cet effet. Le lecteur identifie la carte, puis commence la lecture automatiquement.
- 4 Appuyer sur la touche **ARRÊT/MISE HORS TENSION**.
- 5 Appuyer une ou plusieurs fois sur la touche **COPIE** jusqu'à l'affichage sur l'écran ACL de **Format ?** (Formater ?), puis appuyer sur la touche **LECTURE/PAUSE/MARCHE** pour commencer le formatage.

### Copie de pistes d'un CD audio sur une carte mémoire

Il est possible de copier des pistes d'un CD audio sur une carte mémoire. Quand le lecteur copie des pistes, elles sont enregistrées sur la carte mémoire sous forme de fichiers MP3.

#### Pour copier les pistes d'un CD audio sur une carte mémoire :

- 1 Mettre le lecteur sous tension.
- 2 Appuyer une ou plusieurs fois sur la touche **FONCTION** pour sélectionner **DISC** (Disque).
- 3 Insérer un CD audio et une carte mémoire.
- 4 Appuyer une ou plusieurs fois sur la touche **COPIE** pour sélectionner **Copy ?** (Copier ?).



## NS-P3114 Portable CD Player

**INSIGNIA**

- 5 Appuyer une ou plusieurs fois sur la touche **MODE/ST/MONO** pour sélectionner ce qui doit être copié. Il est possible de sélectionner :
- Track Copy (Copie d'une piste) – Copie une seule chanson.
  - Album Copy (Copie album) – Copie tout l'album.
  - Disc Copy (Copie disque) – Copie tout un CD.
  - PGM Copy (Copie programme) – Copie un bloc de 10 chansons.
- 6 Si l'option sélectionnée est :
- Track Copy (Copier piste) – Appuyer sur la touche **PRÉRÉGLAGES –/ALBUM –** ou **PRÉRÉGLAGES +/ALBUM +** pour sélectionner l'album qui a la chanson à copier, appuyer sur **SAUT –/SYNTOINISATION –** ou **SAUT +/SYNTOINISATION +** pour sélectionner la chanson à copier, puis appuyer sur la touche **LECTURE/PAUSE/MARCHE** pour copier la chanson.
  - Album Copy (Copier album) – Appuyer sur la touche **PRÉRÉGLAGES –/ALBUM –** ou **PRÉRÉGLAGES +/ALBUM +** pour sélectionner l'album à copier, puis appuyer sur la touche **LECTURE/PAUSE/MARCHE** pour copier l'album.
  - Disc Copy (Copier disque) – Appuyer sur la touche **LECTURE/PAUSE/MARCHE** pour copier le disque.
  - PGM Copy (Copier programme) – Appuyer sur la touche **PRÉRÉGLAGES –/ALBUM –** ou **PRÉRÉGLAGES +/ALBUM +** pour sélectionner l'album qui a les chansons à copier, appuyer sur **SAUT –/SYNTOINISATION –** ou **SAUT +/SYNTOINISATION +** pour sélectionner la première chanson à copier, puis appuyer sur la touche **PROG/+10/MEM** pour mettre en surbrillance un bloc à copier. Appuyer sur la touche **LECTURE/PAUSE/MARCHE** pour copier le bloc.

**Fonctionnement de la radio****Pour utiliser la radio :**

- 1 Mettre le lecteur sous tension.
- 2 Appuyer une ou plusieurs fois sur la touche **FONCTION** pour sélectionner **RADIO**.
- 3 Pour syntoniser une station :
  - Manuellement – Appuyer sur l'une des touches **SAUT +/SYNTOINISATION +** ou **SAUT –/SYNTOINISATION –** pendant moins de ½ seconde. Le lecteur syntonise la station suivante par ordre décroissant ou croissant de fréquence.
  - Automatiquement – Maintenir appuyée l'une des touches **SAUT –/SYNTOINISATION –** ou **SAUT +/SYNTOINISATION +** et la maintenir enfoncée pendant plus d'une seconde, jusqu'à ce que la fréquence d'une station de radio apparaisse sur l'écran ACL, puis relâcher la touche.
- 4 Maintenir la touche **ARRÊT/MISE HORS TENSION** enfoncée pendant plus d'une seconde pour arrêter le lecteur.

**INSIGNIA** NS-P3114 Portable CD Player**Remarques :**

- Le câble du casque d'écoute remplit la fonction d'antenne radio. Le casque d'écoute doit être connecté au lecteur pour obtenir une réception de bonne qualité. Si la réception n'est pas satisfaisante, déployer complètement le câble du casque d'écoute.
- Si la syntonisation automatique ne s'arrête pas sur une station ou si la réception est médiocre, il est possible que le lecteur ait syntonisé une fréquence faible ou que sa réception soit obstruée. Essayer de déplacer l'appareil dans un autre endroit ou affiner le réglage de la station en appuyant sur l'une des touches **SAUT -/SYNTONISATION -** ou **SAUT +/SYNTONISATION +**.

**Sélection du mode son**

Il est possible d'écouter la radio en mode stéréo ou mono.

**Pour sélectionner le mode son :**

- Appuyer sur la touche **MODE/ST/MONO. STÉRÉO** s'affiche sur l'écran ACL lorsque le mode son est réglé sur stéréo.

**Remarque :** Si le mode stéréo donne lieu à un bruit de fond, passer en mode mono. Le bruit de fond est réduit, mais la station est reproduite en mode mono.

**Mémorisation de stations**

Il est possible de mémoriser jusqu'à 30 stations de radio.

**Pour mémoriser des stations :**

- 1 Mettre le lecteur sous tension, passer en mode **RADIO**, puis syntoniser la station à mémoriser.
- 2 Appuyer sur la touche **PROG/+10/MEM. MEMO** s'affiche sur l'écran ACL.
- 3 Appuyer une ou plusieurs fois sur l'une des touches **ANTICHOC/PRÉRÉGLAGES +/ALBUM +** ou **PRÉRÉGLAGES -/ALBUM -** pour sélectionner le numéro de mémorisation à affecter à la station.
- 4 Appuyer sur la touche **PROG/+10/MEM** pour enregistrer la mémorisation.

**Pour syntoniser une station mémorisée :**

- Appuyer une ou plusieurs fois sur l'une des touches **ANTICHOC/PRÉRÉGLAGES +/ALBUM +** ou **PRÉRÉGLAGES -/ALBUM -** pour afficher sur l'écran ACL le numéro de mémorisation souhaité.

NS-P3114 Portable CD Player

INSIGNIA™

## Entretien

### Nettoyage du lecteur

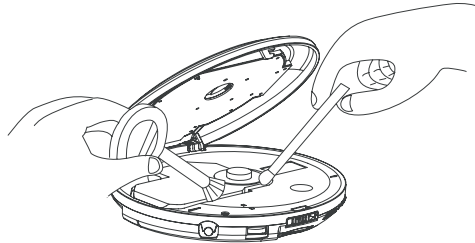
Essuyer doucement l'extérieur du lecteur avec un chiffon sec et doux. Si le chiffon sec ne parvient pas à nettoyer le lecteur, humidifier légèrement le chiffon avec une solution de détergent neutre et d'eau et essuyer de nouveau le lecteur.

### Nettoyage de la lentille optique

Si la lentille devient sale, des sauts de lecture ou l'impossibilité de lire des CD peuvent se manifester.

#### Pour nettoyer la lentille optique :

- 1 Ouvrir le couvercle du compartiment du CD.
- 2 Pour retirer de la poussière ou des particules sèches, utiliser une brosse pneumatique pour lentille d'appareil photo pour souffler une fois ou deux sur la lentille, puis essuyer la lentille avec la brosse pour enlever la poussière ou les particules.



- 3 Pour enlever des empreintes digitales, utiliser un coton-tige sec et essuyer du centre vers la périphérie de la lentille.

## INSIGNIA NS-P3114 Portable CD Player

### Manipulation des CD

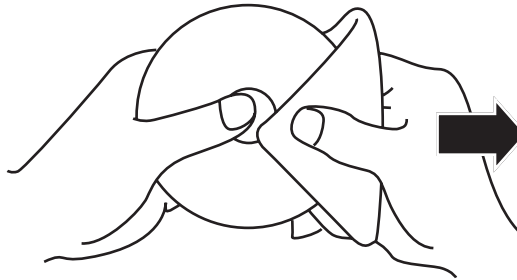
Un CD sale, rayé ou voilé peut causer des sauts ou des parasites.

#### Entretien des CD :

- Tenir les CD par les bords.
- Ranger les CD dans leur boîtier lorsqu'ils ne sont pas utilisés.
- Ne pas exposer les CD à la lumière directe du soleil, à une humidité élevée, à de hautes températures ou à la poussière. Une exposition prolongée à des températures extrêmes peut avoir pour effet de voiler les CD.
- Ne pas coller d'étiquette ou de ruban adhésif sur les CD.

#### Pour nettoyer un CD :

- À l'aide d'un chiffon doux, essuyer le CD à partir du centre vers la périphérie.



**Attention :** Ne jamais utiliser de diluant, de benzène, de nettoyant pour disques conventionnels ou de vaporisateur antistatique sur un CD, car ceci en abîmera la surface.

NS-P3114 Portable CD Player

**INSIGNIA**

## Spécifications

La conception et les spécifications sont sujettes à modifications sans avis préalable.

<b>Lentille de lecture</b>	
Système	Système de disque compact audionumérique
Propriétés	Longueur d'onde : 780 nm
Formats de disque compatibles	CD audio, CD-R, CD-RW, MP3, WMA
<b>Audio</b>	
Conversion numérique/analogique	CNA (convertisseur numérique/analogique)
Réponse en fréquence	20 ~ 20 000 Hz
Pleurage et filtre	Inférieur aux limites mesurables
Nombre de canaux	2 canaux (stéréo)
Niveau de sortie	Casque d'écoute : 15 mW
Effet d'amplification des graves (100 Hz)	> 6 dB
<b>Radio</b>	
Gamme de fréquence	FM : 87.5 ~ 108 MHz

## INSIGNIA NS-P3114 Portable CD Player

### Lecteur de carte mémoire

Formats de fichiers compatibles	<ul style="list-style-type: none"> <li>• MP3</li> <li>• WMA</li> </ul>
Systèmes de fichiers compatibles	<ul style="list-style-type: none"> <li>• FAT12</li> <li>• FAT16</li> <li>• FAT32</li> </ul>
Lecture de débit binaire compatible	MP3 : 32 Kbps ~ 320 Kbps WMA : 16 Kbps ~ 160 Kbps
Taille mémoire compatible	16 Mo ~ 2 Go
<b>Affichage</b>	ACL

### Spécifications générales

Alimentation nécessaire	<ul style="list-style-type: none"> <li>• 2 x piles alcalines AA de 1,5 V LR6 (non fournies)</li> <li>• 2 x piles rechargeables AA Ni-Cd/Ni-MH de 1,2 V 650 mA (non fournies)</li> <li>• Fiche d'entrée CC de 6 V 500 mA compatible avec un adaptateur d'alimentation CA de 120 V 60 Hz (non fourni) dont le positif est au centre</li> </ul>
Consommation électrique	0,8 W (CC 3 V) sous conditions normales
Dimensions P x L x H	Environ 5,5 x 5,6 x 1,2 pouces (140 x 144 x 29 mm)
Poids	Environ 8,5 onces (240 g)

NS-P3114 Portable CD Player

**INSIGNIA**

## Problèmes et solutions

Anomalie	Cause probable	Solution
Impossible de mettre le lecteur sous tension.	Les piles sont mortes ou faibles.	Remplacer les piles.
	L'adaptateur CA n'est pas connecté correctement.	Vérifier que l'adaptateur CA est correctement connecté.
Impossible de lire le CD.	Le CD n'a pas été inséré correctement.	Insérer un CD avec l'étiquette vers le haut.
	Le CD est défectueux.	Essayer un autre CD.
	Le couvercle du compartiment du CD n'est pas fermé.	Fermer la porte.
	De la condensation s'est formée dans le lecteur.	Enlever le CD, et laisser le couvercle du compartiment du CD ouvert environ une heure pour que la condensation s'évapore.

**INSIGNIA** NS-P3114 Portable CD Player

Anomalie	Cause probable	Solution
Pas de son dans le casque d'écoute	Le casque d'écoute n'est pas connecté correctement.	Vérifier que la fiche du casque d'écoute est branchée sur la prise de casque d'écoute.
	Le volume est réglé au minimum.	Augmenter le volume.
	Les piles sont faibles.	Remplacer les piles ou utiliser l'adaptateur CA.
	Le CD est défectueux.	Essayer un autre CD.
Sautes de son.	Le CD ou la lentille optique est sale.	Nettoyer le CD ou la lentille.
	Le lecteur est soumis à de fortes vibrations.	Positionner le lecteur sur une surface horizontale et stable.
Les touches ne fonctionnent pas.	La fonction de blocage est activée.	Glisser le commutateur <b>BLOCAGE</b> vers la gauche pour déverrouiller les touches.
Caractères anormaux affichés sur l'écran ACL.	Les piles sont faibles.	Remplacer les piles.
	Le lecteur a subi une décharge électrostatique (électricité statique).	Ouvrir et refermer le couvercle du compartiment du CD, puis redémarrer le lecteur.



## NS-P3114 Portable CD Player

**INSIGNIA**

Anomalie	Cause probable	Solution
Lecture de fichiers MP3 créés par l'utilisateur impossible.	Le lecteur n'est pas compatible avec les fichiers MP3 créés par l'utilisateur.	Des utilitaires de compression différents utilisent des formats et des taux de compression différents. Ce lecteur est compatible avec les formats MP3 standard. Quand un fichier MP3 est créé, ne pas utiliser les standard MPEG 1 couche 1 ou 2. Utiliser de préférence le format MPEG 1 couche 3.
La durée affichée sur l'ACL lors de la lecture de fichiers MP3 est incorrecte.	Le fichier MP3 a été créé en utilisant DBV (débit binaire à compression variable).	Créer des fichiers MP3 avec un débit binaire constant.
Certains fichiers MP3 ne sont pas lus.	Le fichier MP3 a été créé en utilisant le format MPEG 1 couche 1 ou 2	Les formats MPEG 1 couche 1 et 2 sont des formats anciens qui ne sont pas compatibles avec ce lecteur. Si des fichiers MPG créés avec ce format ancien sont mis en lecture, le lecteur peut sauter le fichier ou s'éteindre. Supprimer les fichiers formatés au format MPEG ancien du CD. Créer des fichiers MPG en utilisant le format MPEG 1 couche 3.

## INSIGNIA NS-P3114 Portable CD Player

### Avis juridiques

#### Déclaration de la FCC :

Cet appareil numérique de la classe B est conforme à la norme NMB-003 du Canada.

Tous changements ou modifications qui ne seraient pas expressément approuvés par les responsables des normes pourraient rendre nul le droit de l'utilisateur d'utiliser cet équipement.

Cet appareil est conforme à l'article 15 du règlement de la FCC. Son utilisation est soumise aux deux conditions suivantes :

(1) Cet appareil ne doit pas provoquer d'interférence dangereuses et (2) il doit accepter toute interférence reçue, y compris celles risquant d'engendrer un fonctionnement indésirable.

Les composants de ce lecteur de CD peuvent être la cause d'interférences avec les radios utilisées dans un rayon rapproché. Pour éviter les interférences, mettre le lecteur de CD hors tension ou l'éloigner de la radio qui est avec laquelle il interfère.

**Remarque :** Cet équipement a été mis à l'essai et déclaré conforme aux limites prévues pour un appareil numérique de classe B, définies dans la section 15 de la réglementation FCC. Ces limites ont été établies pour fournir une protection raisonnable contre les interférences nuisibles lors d'une installation résidentielle. Cet équipement génère, utilise et diffuse des ondes radio et s'il n'est ni installé ni utilisé conformément aux instructions en vigueur, il peut provoquer des interférences indésirables avec les communications radio. Cependant, il n'est pas possible de garantir qu'aucune interférence ne se produira dans une installation particulière.

Si cet équipement cause des interférences gênant la réception d'ondes radio ou télévisées (déterminé en éteignant et en rallumant l'équipement), il est recommandé que l'utilisateur tente de corriger le problème en appliquant au moins l'une des mesures suivantes :

- Réorienter ou déplacer l'antenne réceptrice.
- Augmenter la distance entre l'équipement et le récepteur.
- Brancher l'équipement dans la prise électrique d'un circuit différent de celui auquel le récepteur est relié.
- Contacter le revendeur ou un technicien radio/télévision qualifié.

Cet appareil numérique de la classe B est conforme à la norme NMB-003 du Canada.

#### Certification relative à la sécurité

Ce lecteur de disques compacts a été fabriqué et testé pour satisfaire aux normes de sécurité de la FCC, aux exigences et règles de conformité du Ministère de la santé des États-Unis (U.S. Département of Health and Human Services), ainsi qu'aux normes d'irradiation 21 CFR, section de chapitre J de la FDA.

## NS-P3114 Portable CD Player

INSIGNIA™

**Sécurité du laser**

**Attention :** Radiation au laser invisible en cas d'ouverture et lorsque le système de sécurité est défectueux ou neutralisé. Éviter toute exposition directe aux rayons laser.

Le mécanisme du CD de cet appareil utilise une technologie de faisceau laser optique, conçue pour intégrer des dispositifs de sécurité. Ne pas chercher à le démonter, le confier à du personnel qualifié. Une exposition à la lumière du faisceau laser invisible peut être dangereuse pour la vue.

Appareil au laser de classe 1. L'utilisation de commandes, de réglages ou l'exécution de procédures autres que celles indiquées ici peuvent aboutir à une irradiation dangereuse.

**GARANTIE LIMITÉE**

Insignia Products garantit au premier acheteur de ce produit, qu'il sera exempt de défauts de fabrication et de main-d'oeuvre pour une période de quatre vingt dix (90) jours à partir de la date d'achat, conformément aux détails ci-dessous :

- 1 MAIN-D'OEUVRE :** Pendant la période de garantie, si ce produit est considéré comme étant défectueux, Insignia le réparera ou le remplacera, à sa convenance, gratuitement, ou paiera les frais de main-d'oeuvre à tout service de réparation agréé par Insignia. Au-delà de la période de garantie, l'utilisateur sera redevable de tous les frais afférents à la main-d'oeuvre.
- 2 PIÈCES DÉTACHÉES :** En outre, Insignia fournira gratuitement les pièces détachées neuves ou remises à neuf, en échange des pièces défectueuses pendant la durée de la garantie. À l'expiration de la période de garantie le coût de toute pièce détachée sera à votre charge.

Pour obtenir le service de la garantie, vous devrez amener le produit accompagné du reçu original ou de toute autre preuve d'achat, soit dans son emballage original, soit dans un emballage procurant des conditions identiques de protection, chez votre détaillant le plus proche du magasin ou site web où vous vous serez procuré le produit.

Cette garantie ne couvre pas les dommages esthétiques, ou ceux résultants de catastrophes naturelles, de la foudre, d'un accident, d'une mauvaise utilisation, de manipulations abusives, de négligence, d'une utilisation commerciale ou d'une modification de tout ou partie du produit, y compris l'antenne. Cette garantie ne couvre aucun dommage ayant pour origine une utilisation ou une maintenance défectueuse, la connexion à une source électrique dont la tension est inadéquate, ou encore toute réparation réalisée par quiconque autre qu'un service de réparation agréé par Insignia. Cette garantie ne couvre pas les produits vendus « EN L'ÉTAT » ou « HORS SERVICE », ou les consommables (tels que les fusibles ou les piles). Cette garantie n'est applicable qu'aux États-Unis et au Canada.

La garantie est annulée si le numéro de série usine a été altéré ou enlevé du produit.



**INSIGNIA**

NS-P3114 Portable CD Player



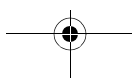
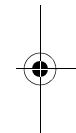
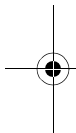
LA RÉPARATION OU LE REMPLACEMENT, TELS QU'OFFERTS PAR CETTE GARANTIE CONSTITUENT LE SEUL RECOURS DU CONSOMMATEUR. INSIGNIA NE POURRA PAS ÊTRE TENU POUR RESPONSABLE DE DOMMAGES ACCESSOIRES OU CONSÉCUTIFS, OU DE L'INEXÉCUTION D'UNE GARANTIE EXPRESSE OU IMPLICITE SUR CE PRODUIT. SAUF POUR LES DISPOSITIONS PROHIBÉES PAR LES LOIS APPLICABLES, TOUTE GARANTIE IMPLICITE DE QUALITÉ MARCHANDE OU D'ADAPTATION À UN USAGE PARTICULIER RELATIVE À CE PRODUIT EST LIMITÉE À LA PÉRIODE DE GARANTIE APPLICABLE TELLE QUE DÉCRITE CI-DESSUS.

Certains états ou provinces ne permettent ni l'exclusion ou la limitation des dommages accessoires ou consécutifs, ni les limitations implicites de durée d'une garantie, de sorte que les limitations ou exclusions énoncées ci-dessus peuvent être nulles dans votre cas. Cette garantie vous donne des droits spécifiques, et vous pouvez aussi disposer d'autres droits qui varient d'un état à l'autre, ou d'une province à une autre.

Vous pouvez contacter le service à la clientèle en appelant le 1-877-467-4289

[www.insignia-products.com](http://www.insignia-products.com)

Insignia Products, Richfield, Minnesota , U.S.A.





NS-P3114 Portable CD Player

**INSIGNIA**



## Bienvenido

Felicitaciones por su compra de un producto de alta calidad de Insignia. Su reproductor de CD portátil NS-P3114 con ranura para tarjeta de memoria y sintonizador digital de FM representa el más moderno diseño de reproductor de CD portátil y está concebido para brindar un rendimiento confiable y sin problemas.

## Contenido

Información de seguridad . . . . .	59
Características . . . . .	59
Uso del reproductor . . . . .	67
Mantenimiento . . . . .	80
Especificaciones . . . . .	82
Solución de problemas . . . . .	84
Avisos legales . . . . .	87

## Información de seguridad

Lea estas instrucciones antes de usar su reproductor.

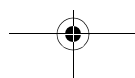
### Advertencias:

- Para reducir el riesgo de incendio o choque eléctrico, no se debe exponer este reproductor a la lluvia o humedad.
- No abra la cubierta. Encomiende la reparación únicamente a personal calificado.
- No esponga el reproductor al calor excesivo, luz solar directa, polvo, humedad, vibración o choques.
- Use sólo el adaptador de CA provisto con el reproductor. Otros adaptadores pueden dañar su reproductor.
- Desconecte el reproductor del tomacorriente de la pared si no lo va a usar durante un período de tiempo extendido.
- Cuando limpie su reproductor use un paño suave seco, no use disolventes o limpiadores disponibles comercialmente ya que estos pueden dañar o decolorar el acabado del reproductor.
- No use audífonos mientras conduce un vehículo. Esto podría crear un riesgo de tráfico y es ilegal en muchas áreas.

## Características

Las características de su reproductor:

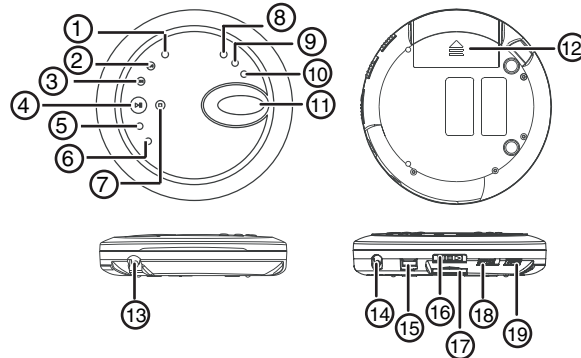
- Reproducción de audio de CD, MP3 y WMA
- Lector de tarjetas de memoria que lee tarjetas SD y MMC
- Sintonizador de radio FM
- Audífonos que suministran una calidad de estéreo superior a niveles normales de volumen y que dejan escuchar los sonidos exteriores.
- Protección anti-saltos que utiliza un procesador de lectura por adelantado y un búfer de memoria avanzado para reducir considerablemente o eliminar los saltos



**INSIGNIA** NS-P3114 Portable CD Player

- Control remoto
- Desactivación automática después de 30 segundos de inactividad
- Operación con pilas
- Adaptador de CA opcional

**Componentes del reproductor**



	Control	Descripción
1	PROG/+10/MEM	Si hay un CD en su reproductor y éste se detiene, presione para crear una lista de reproducción de pistas de CD de audio o canciones de MP3 o WMA. Si está escuchando una canción de MP3 o WMA, presione para saltar 10 canciones hacia delante en el CD o en la tarjeta de memoria. Si está escuchando la radio, presione para predefinir estaciones de radio.

## NS-P3114 Portable CD Player

**INSIGNIA**

	Control	Descripción
2	SALTAR +/ SINTONIZACIÓN +	Si está reproduciendo un CD o una tarjeta de memoria, presione este botón para ir a la siguiente pista de CD de audio o canción de MP3 o WMA. Si está escuchando la radio, presione este botón para escanear hacia delante a la siguiente frecuencia de radio superior.
3	SALTAR -/ SINTONIZACIÓN -	Si está reproduciendo un CD o una tarjeta de memoria, presione este botón para ir a la pista anterior del CD de audio o la canción anterior de MP3 o WMA. Si está escuchando la radio, presione este botón para escanear hacia atrás a la frecuencia inferior de radio.
4	REPRODUCIR/PAUSAR/ ENCENDER	Si el reproductor está apagado, presione para encenderlo. Si está escuchando música de un CD o de una tarjeta de memoria, presione para pausar la reproducción. Presione nuevamente para continuar con la reproducción.
5	ESP/PREDEFINIDO +/ ÁLBUM +	Si está reproduciendo un CD de audio, presione para activar o desactivar la función de anti-saltos. Si está reproduciendo un CD o una tarjeta de memoria con canciones de MP3 o WMA y el CD o la tarjeta de memoria tiene más de un álbum, presione para ir al siguiente álbum. Si está escuchando la radio, presione para ir a la siguiente estación predefinida.

**INSIGNIA** NS-P3114 Portable CD Player

	Control	Descripción
6	PREDEFINIDO –ÁLBUM –	Si está reproduciendo un CD o una tarjeta de memoria con canciones de MP3 o WMA y el CD o la tarjeta de memoria tiene más de un álbum, presione para ir al álbum anterior. Si está escuchando la radio, presione para ir a la estación predefinida anterior.
7	DETENER/APAGAR	Si está reproduciendo un CD o una tarjeta de memoria, presione para detener la reproducción. Si la reproducción del CD o de la tarjeta de memoria está detenida o está escuchando la radio, presione para apagar el reproductor.
8	MODO/ESTÉREO/MONO	Si está reproduciendo un CD o una tarjeta de memoria, presione una o más veces para seleccionar un modo de reproducción. Se puede seleccionar: <ul style="list-style-type: none"> <li>• REPEAT 1 (REPETIR 1)</li> <li>• REPEAT ALBUM (REPETIR ALBUM) (Solamente para CD con MP3 y WMA y tarjetas de memoria)</li> <li>• REPEAT ALL (REPETIR TODOS)</li> <li>• INTRO</li> <li>• RDM (ALEATORIO)</li> </ul> Si está escuchando la radio, presione para seleccionar el modo de sonido. Se puede seleccionar: <ul style="list-style-type: none"> <li>• Stereo (Estéreo)</li> <li>• Mono (Monofónico)</li> </ul>



## NS-P3114 Portable CD Player

**INSIGNIA**

	Control	Descripción
9	COPIAR	Presione para copiar pistas desde un CD de audio a una tarjeta de memoria. Su reproductor convierte las pistas de un CD de audio al formato MP3 y las almacena en la tarjeta de memoria.
10	FUNCIÓN	Presione para seleccionar el tipo de medio. Se puede seleccionar: <ul style="list-style-type: none"><li>• DISC (Disco)</li><li>• MEMORY CARD (Tarjeta de memoria)</li><li>• FM</li></ul>
11	LCD	Muestra información respecto al estado de su reproductor.
12	Puerta de pilas	Abra la puerta para instalar o reemplazar las pilas.
13	Entrada de CC	Conecte el adaptador de CA opcional de CA a este conector.
14	Conector de audífonos	Enchufe los audífonos en este conector.
15	VOLUMEN	Gire para ajustar el volumen.
16	Interruptor de la puerta del CD	Deslice hacia la derecha para abrir la puerta del CD.
17	Ranura para tarjeta de memoria	Inserte una tarjeta de memoria MMC o SD en esta ranura.

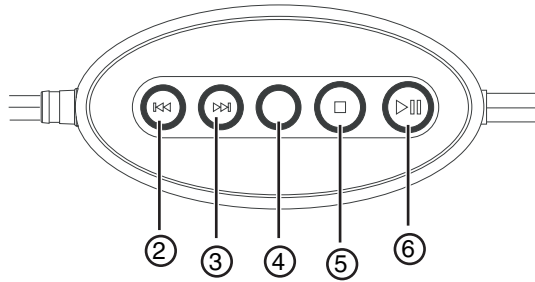
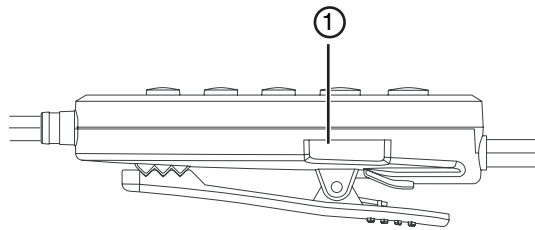
**INSIGNIA** NS-P3114 Portable CD Player

	Control	Descripción
18	AMPLIFICACIÓN DE GRAVES	Deslice a la posición de activado (ON) para activar la función de amplificación de graves. Deslice a la posición de desactivado (OFF) para desactivar la función de amplificación de graves. La función de amplificador de bajos aumenta el nivel de sonido de los bajos.
19	BLOQUEO	Deslice hacia la derecha para bloquear los controles del reproductor. Deslice hacia la izquierda para desbloquear los controles del reproductor.

NS-P3114 Portable CD Player



**Control remoto**



**INSIGNIA** NS-P3114 Portable CD Player

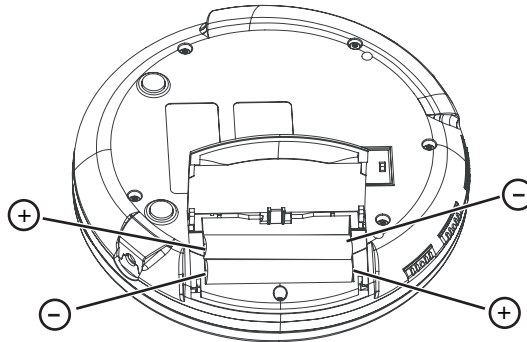
	Control	Descripción
1	Volumen	Gire para ajustar el volumen.
2	SALTAR -/ SINTONIZACIÓN -	Si está reproduciendo un CD o una tarjeta de memoria, presione para ir a la pista anterior del CD de audio o la canción anterior de MP3 o WMA. Si está escuchando la radio, presione este botón para escanear hacia atrás a la frecuencia inferior de radio.
3	SALTAR +/ SINTONIZACIÓN +	Si está reproduciendo un CD o una tarjeta de memoria, presione para ir a la siguiente pista del CD de audio o la siguiente canción de MP3 o WMA. Si está escuchando la radio, presione para escanear hacia adelante a la siguiente emisora con una frecuencia más alta.
4	FUNCIÓN	Press to select the media type. Se puede seleccionar: <ul style="list-style-type: none"> <li>• DISC (Disco)</li> <li>• MEMORY CARD (Tarjeta de memoria)</li> <li>• FM</li> </ul>
5	DETENER/ APAGAR	Si está reproduciendo un CD o una tarjeta de memoria, presione para detener la reproducción. Si la reproducción del CD o de la tarjeta de memoria está detenida o está escuchando la radio, presione para apagar el reproductor.
6	REPRODUCIR/ PAUSAR/ ENCENDER	Si el reproductor está apagado, presione para encenderlo. Si está escuchando música de un CD o de una tarjeta de memoria, presione para pausar la reproducción. Presione nuevamente para continuar con la reproducción.

NS-P3114 Portable CD Player

INSIGNIA

## Uso del reproductor

### Instalación de las pilas



#### Para instalar las pilas:

- 1 Abra el compartimento de las pilas.
- 2 Inserte dos pilas alcalinas AA (no incluidas) dentro del compartimento de las pilas. Asegúrese de que la polaridad + y - de las pilas quede alineada con la polaridad + y - en el compartimento de las pilas.
- 3 Cierre la cubierta del compartimento de las pilas.

Nota: Retire las pilas del compartimento de las pilas antes de usar el adaptador de CA.

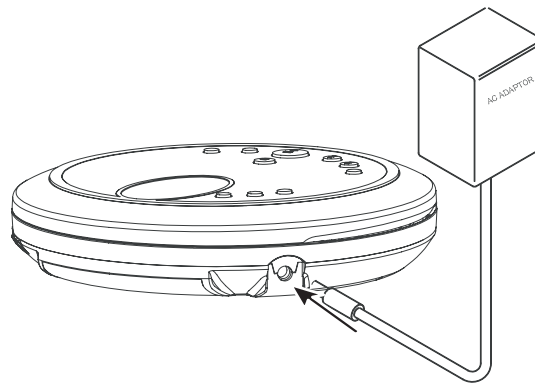
#### Alerta de pila baja

Cuando el indicador de pila  aparece en el panel LCD, necesita reemplazar las pilas.

Cuando reemplace las pilas:

- No trate de recargar, hacer corto-circuito, desarmar, calentar o exponer las pilas al fuego.
- No se deben mezclar distintos tipos de pilas (por ejemplo alcalinas con las de carbonato de zinc).
- Al reemplazar las pilas, no mezcle pilas usadas con pilas nuevas.
- Siempre reemplace las pilas bajas ya que pueden presentar fuga y dañar el reproductor.

**INSIGNIA** NS-P3114 Portable CD Player  
**Conexión del adaptador de CA**



**Para conectar el adaptador de CA:**

- 1 Enchufe el cable del adaptador de CA en el conector de entrada de CC
- 2 Enchufe el otro extremo del cable del adaptador de CA en un tomacorriente.

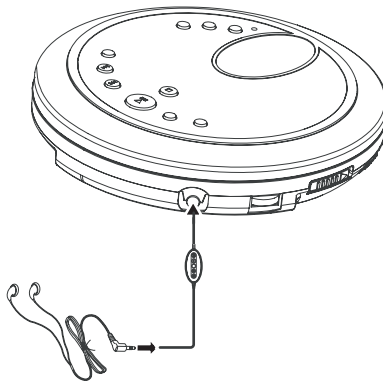
**Precaución:** Use únicamente con el adaptador de CA de 6 V recomendado y asegúrese de que el voltaje local corresponde al voltaje de entrada de CA que requiere el adaptador.

**Nota:** Retire las pilas del compartimiento de las pilas antes de usar el adaptador de CA.

NS-P3114 Portable CD Player

INSIGNIA

### Conexión de los audífonos



#### Para conectar los audífonos:

- Enchufe los audífonos en el conector para audífonos (este conector es de color verde).

**Precaución:** No use volumen alto. El oído puede sufrir daño.

#### Amplificador de bajos

La función de amplificador de bajos aumenta el nivel de sonido de los bajos. Cuando usted escucha con un nivel de volumen bajo, el amplificador de bajos hace que el sonido sea más lleno.

#### Para encender y apagar el amplificador de bajos:

- Para activar el amplificador de bajos, deslice el interruptor del **Bass Boost** (Amplificador de bajos) a la posición **ON** (Activado). Cuando el amplificador de bajos está activado, aparece **BASS** en la pantalla LCD.
- Para desactivar el amplificador de bajos, deslice el interruptor a la posición **OFF** (Desactivado).

## INSIGNIA NS-P3114 Portable CD Player

### Cómo encender y apagar el reproductor

El reproductor no tiene un botón de encendido.

#### Para encender y apagar el reproductor:

- 1 Presione el botón **REPRODUCIR/PAUSAR/ENCENDER** del reproductor para comenzar la reproducción.
- 2 Si está reproduciendo un CD, presione el botón **DETENER/APAGAR** una vez para poner el reproductor en el modo Standby. Si está reproduciendo un CD o una tarjeta de memoria y coloca el reproductor en el modo Standby, o abre la puerta del CD por más de 30 segundos, el reproductor se apagará automáticamente.
- 3 Si está reproduciendo un CD o una tarjeta de memoria y el reproductor se detiene, o si está escuchando la radio, presione el botón **DETENER/APAGAR** para apagar el reproductor.

### Uso del interruptor de bloqueo

Puede bloquear los controles del reproductor para no cambiar accidentalmente los ajustes.

#### Para bloquear y desbloquear los controles del reproductor:

- Deslice el interruptor de **BLOQUEO** hacia la derecha para bloquear los controles.
- Deslice el interruptor de **BLOQUEO** hacia la izquierda para desbloquear los controles.

### Uso de la función antichoque

Cuando usted reproduce un CD, la función antichoque reduce o elimina los saltos cuando usted mueve el reproductor. Puede activar y desactivar la función antichoque cuando reproduce CD de audio. Cuando reproduce CD de MP3 o WMA, la función antichoque siempre está activada.

#### Para encender o apagar la función antichoque:

- Presione y mantenga presionado el botón **ESP/PREDEFINIDO +/-ALBUM +** durante aproximadamente un segundo para activar la función anti-saltos. Cuando la función anti-saltos está activada, aparece **ESP** en la pantalla LCD.
- Presione y mantenga presionado el botón nuevamente para desactivar la función anti-saltos.

**Precaución:** Si el reproductor sufre choques excesivos y continuos, el búfer de la memoria se sobrecarga y se saltará la música.

#### Notas:

- Cuando la función antichoque está activada, la carga de las pilas se consume más rápidamente porque el CD gira más rápidamente.
- Si el CD está sucio, arañado o doblado puede causar saltos aunque la función antichoque esté activada.



## NS-P3114 Portable CD Player

**INSIGNIA****Reproducción de CD y tarjetas de memoria**

El reproductor puede reproducir CD de audio estándar y canciones MP3 y WMA grabadas en un CD o en una tarjeta de memoria.

**Para reproducir un CD:**

- 1 Enchufe los audífonos.
- 2 Encienda el reproductor.
- 3 Deslice el interruptor de la puerta del CD hacia la derecha para abrir la puerta del CD.
- 4 Inserte el CD con la etiqueta hacia arriba.
- 5 Cierre suavemente la puerta del CD. El reproductor comienza la reproducción automáticamente.
- 6 Si desea pausar la reproducción presione el botón **REPRODUCIR/PAUSAR/ENCENDER**. Presione el botón de nuevo para reanudar la reproducción normal.
- 7 Presione el botón **DETENER/APAGAR** para detener la reproducción.

**Notas:**

- Los archivos MP3 deben tener la extensión de archivo .MP3. Los archivos WMA deben tener la extensión de archivo .WMA.
- La calidad de reproducción de las canciones de MP3 y WMA grabadas en CD-R o CD-RW puede ser afectada por la calidad del CD, el programa de grabación usado para crear el CD, los ajustes del programa de grabación y el tipo de grabador de CD utilizado. Recomendamos realizar la grabación de CD de WMA o MP3 usando desde una velocidad mínima de 4x hasta una velocidad máxima de 6x.
- Si utiliza Windows® Media Player para crear CD de MP3 y WMA, no seleccione la opción **Copy protect music** (Proteger la música contra copias) en el menú **Options** (Opciones).
- Si compra y descarga canciones de tiendas de música en línea, use Windows Media Player para grabar las canciones en un CD. Muchas canciones descargadas están protegidas por Microsoft® DRM (Digital Rights Management [Administración de Derecho Digitales]), y estas canciones no se reproducirán si usted usa un programa diferente para crear el CD.

**Información de la pantalla LCD**

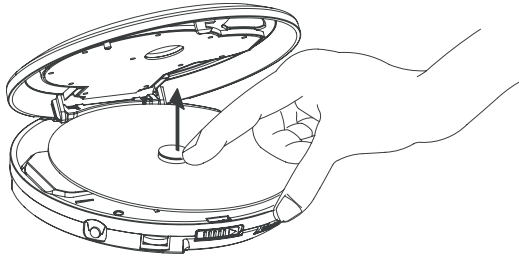
- Cuando su reproductor está encendido y la puerta del CD está abierta, aparece **OPEN** (Abierto) en la pantalla LCD.
- Cuando su reproductor está encendido y la puerta del CD está cerrada, aparece **Read Disc** (Lee el disco) en la pantalla LCD mientras el reproductor lee el CD. Si el reproductor no reconoce el formato del CD o si usted no insertó un CD, en la pantalla LCD aparecerá **NO DISC** (Sin disco) o **ERR DISC** (Disco equivocado).
- Si presiona el botón **REPRODUCIR/PAUSAR/ENCENDER** mientras se está reproduciendo un CD, el tiempo transcurrido parpadea en la pantalla LCD.

**Para retirar un CD:**

- 1 Si se está reproduciendo un CD, presione el botón **DETENER/APAGAR**, luego espere que el CD deje de girar.
- 2 Abra la puerta del CD.

**INSIGNIA** NS-P3114 Portable CD Player

- 3 Sujete el borde del reproductor, luego presione suavemente el pivote central para liberar el CD.



- 4 Levante el CD fuera del pivote y retire el CD.

**Reproducción de canciones en una tarjeta de memoria**

Su reproductor puede reproducir canciones que se encuentran en una tarjeta de memoria SD o MMC.

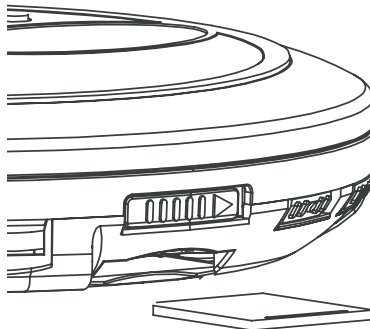
**Para reproducir canciones en una tarjeta de memoria:**

- 1 Enchufe los audífonos.
- 2 Encienda el reproductor.
- 3 Presione el botón **FUNCIÓN** una o más veces para seleccionar **MEMORY CARD** (Tarjeta de memoria).

NS-P3114 Portable CD Player

**INSIGNIA**

- 4 Inserte una tarjeta de memoria en la ranura para tarjetas de memoria. Su reproductor leerá la tarjeta y luego comenzará a reproducir automáticamente.



- 5 Si desea pausar la reproducción presione el botón **REPRODUCIR/PAUSAR/ENCENDER**. Presione el botón de nuevo para reanudar la reproducción normal.
- 6 Presione el botón **DETENER/APAGAR** para detener la reproducción.

**Información de la pantalla LCD**

- Los archivos MP3 deben tener la extensión de archivo .MP3. Los archivos WMA deben tener la extensión de archivo .WMA. Si la tarjeta no contiene archivos MP3 o WMA, el mensaje **CARD IS INVALID** (La tarjeta no es válida) aparecerá en la pantalla LCD.
- Si su reproductor se encuentra en el modo de tarjeta de memoria y no hay una tarjeta en la ranura, el mensaje, **NO CARD** (No hay tarjeta) aparecerá en la pantalla LCD.
- Si los controles de su reproductor se encuentran bloqueados (el interruptor **BLOQUEO** se encuentra en la posición **ON** [Activado]) y la tarjeta de memoria se encuentra en la ranura para tarjetas de memoria, el mensaje **CARD IS PROTECTED** (La tarjeta esta protegida) aparecerá en la pantalla LCD.

**INSIGNIA** NS-P3114 Portable CD Player**Escán de pistas de CD de audio****Para escanear una pista en un CD de audio:**

- Para ir a la siguiente pista en un CD, presione el botón **SALTAR +/SINTONIZACIÓN +**.
- Para escanear hacia delante un CD, presione y mantenga presionado el botón **SALTAR +/SINTONIZACIÓN +** hasta encontrar la pista deseada, luego suelte el botón.
- Para ir a la pista anterior en un CD, presione el botón **SALTAR -/SINTONIZACIÓN -**.
- Para escanear hacia atrás un CD, presione y mantenga presionado el botón **SALTAR -/SINTONIZACIÓN -** hasta encontrar la pista deseada, luego suelte el botón.
- Para encontrar una pista reproduciendo los primeros segundos de cada pista, presione el botón **MODO/EST/MONO** tres veces. El reproductor reproduce los primeros segundos de cada pista. Cuando escuche la pista deseada, presione el botón **MODO/EST/MONO** nuevamente.

**Escaneo de canciones MP3 o WMA en un CD o una tarjeta de memoria****Para escanear canciones MP3 o WMA en un CD o una tarjeta de memoria:**

- Para ir a la siguiente canción, presione el botón **SALTAR +/SINTONIZACIÓN +**.
- Para escanear hacia adelante, presione y mantenga presionado el botón **SALTAR +/SINTONIZACIÓN +** hasta que encuentre la canción deseada, luego suelte el botón.
- Para ir a la canción anterior, presione el botón **SALTAR -/SINTONIZACIÓN -**.
- Para escanear hacia atrás, presione y mantenga presionado el botón **SALTAR -/SINTONIZACIÓN -** hasta que encuentre la canción deseada, luego suelte el botón.
- Para saltar al siguiente álbum en un CD o una tarjeta de memoria que tiene más de un álbum, presione el botón **ESP/PREDEFINIDO +/ÁLBUM +**.
- Para saltar al álbum anterior en un CD o una tarjeta de memoria que tiene más de un álbum, presione el botón **PREDEFINIDO -/ÁLBUM -**.
- Para saltar 10 canciones hacia adelante, presione el botón **PROG/+10/MEM**.
- Para encontrar una canción reproduciendo los primeros segundos de cada canción, presione el botón **MODO/ESTEREO/MONO** cuatro veces.

## NS-P3114 Portable CD Player

INSIGNIA™

**Repetición de pistas o canciones****Para repetir las pistas o canciones:**

- 1 Encienda el reproductor e inserte un CD.
- 2 Seleccione el modo de repetición deseado:
  - Presione el botón **MODO/ESTÉREO/MONO** una vez para repetir la pista actual en un CD de audio o la canción actual en un CD de MP3 o WMA o en una tarjeta de memoria.
  - Presione el botón **MODO/ESTÉREO/MONO** dos veces para repetir todas las pistas en un CD de audio o un álbum en un CD de MP3 o WMA o en una tarjeta de memoria.
  - Presione el botón **MODO/ESTÉREO/MONO** tres veces para repetir todas las canciones en un CD de MP3 o WMA o tarjeta de memoria.
- 3 Presione el botón **MODO/ESTÉREO/MONO** una o más veces para salir del modo de repetición y retornar a la reproducción normal.

**Reproducción de pistas o canciones de manera aleatoria****Para reproducir aleatoriamente las pistas o canciones:**

- 1 Encienda el reproductor e inserte un CD.
- 2 Presione el botón **MODO/ESTÉREO/MONO** cuatro veces para reproducir aleatoriamente las pistas de un CD de audio, o presione el botón **MODO/ESTÉREO/MONO** cinco veces para reproducir aleatoriamente las canciones de un CD de MP3 o WMA o una tarjeta de memoria.  
El indicador **RDM** aparece en la pantalla LCD, y el reproductor reproducirá las pistas o canciones en orden aleatorio.
- 3 Presione el botón **MODO/ESTÉREO/MONO** una o más veces para salir del modo aleatorio y retornar a la reproducción normal.

**Cómo crear una lista de reproducción**

Puede crear una lista de reproducción de pistas de un CD de audio o de canciones en un CD de MP3 o WMA o tarjeta de memoria. Puede agregar hasta 60 canciones a su lista de reproducción.

**Para crear una lista de reproducción con un CD de audio:**

- 1 Encienda el reproductor e inserte un CD de audio.
- 2 Presione el botón **DETENER/APAGAR** para detener la reproducción.
- 3 Presione el botón **PROG/+10/MEM**. El indicador **PGM** aparece en la pantalla LCD.
- 4 Presione el botón **SALTAR -/SINTONIZACIÓN -** o **SALTAR +/SINTONIZACIÓN +** para seleccionar la pista deseada.
- 5 Presione el botón **PROG/+10/MEM** para confirmar la selección.
- 6 Repita los pasos 3 a 5 para añadir pistas adicionales a su lista de reproducción.
- 7 Presione el botón **REPRODUCIR/PAUSAR/ENCENDER** para comenzar a reproducir.

**INSIGNIA** NS-P3114 Portable CD Player**Para crear una lista de reproducción de MP3 o WMA:**

- 1 Encienda su reproductor e inserte un CD de MP3 o WMA o una tarjeta de memoria.
- 2 Presione el botón **PROG/+10/MEM**. El indicador **PGM** aparece en la pantalla LCD.
- 3 Si el CD o la tarjeta memoria tiene múltiples álbumes, presione el botón **PREDEFINIDO +/ÁLBUM +** o **PREDEFINIDO -/ÁLBUM -** para seleccionar el álbum deseado.
- 4 Presione el botón **SALTAR -/SINTONIZACIÓN -** o **SALTAR +/SINTONIZACIÓN +** para seleccionar la pista deseada, luego seleccione el botón **PROG/+10/MEM**.
- 5 Repita los pasos 3 y 4 para agregar más canciones a su lista de reproducción.
- 6 Presione el botón **REPRODUCIR/PAUSAR/ENCENDER** para comenzar a reproducir.

**Para eliminar una lista de reproducción:**

- Presione el botón **DETENER/APAGAR** dos veces.
- Abra la puerta del CD.
- Retire la tarjeta de memoria.
- Seleccione el modo de **RADIO**.
- Apague su reproductor.

**Como borrar canciones de una tarjeta de memoria****Para borrar canciones en una tarjeta de memoria:**

- 1 Encienda su reproductor.
- 2 Presione el botón **FUNCIÓN** una o más veces para seleccionar **MEMORY CARD** (Tarjeta de memoria).
- 3 Inserte una tarjeta de memoria en la ranura para tarjetas de memoria. Su reproductor leerá la tarjeta y luego comenzará a reproducir automáticamente.
- 4 Presione el botón **DETENER/APAGAR**.
- 5 Presione el botón **COPIAR** una o más veces para seleccionar **Delete ?** (¿Eliminar?), luego presione el botón **REPRODUCIR/PAUSAR/ENCENDER**.
- 6 Presione el botón **MODO/EST/MONO** para seleccionar lo que desea borrar. Se puede seleccionar:
  - Track Del? (¿Eliminar Pista?) – Borra una canción individual.
  - Album Del? (¿Eliminar Álbum?) – Borra un álbum entero
  - PGM Del? (¿Eliminar PGM?) – Borra un bloque.

## NS-P3114 Portable CD Player

**INSIGNIA™**

## 7 Si seleccionó:

- Track Del? – Presione el botón **PREDEFINIDO –/ÁLBUM –** o **PREDEFINIDO +/ÁLBUM +** para seleccionar el álbum que contiene la canción que desea borrar, presione el botón **SALTAR –/SINTONIZACIÓN –** o **SALTAR +/SINTONIZACIÓN +** para seleccionar la canción que desea borrar, luego presione el botón **REPRODUCIR/PAUSAR/ENCENDER** para borrar la canción.
- Album Del? – Presione el botón **PREDEFINIDO –/ÁLBUM –** o **PREDEFINIDO +/ÁLBUM +** para seleccionar el álbum que desea borrar, luego presione el botón **REPRODUCIR/PAUSAR/ENCENDER** para borrar el álbum.
- Track Del? – Presione el botón **PREDEFINIDO –/ÁLBUM –** o **PREDEFINIDO +/ÁLBUM +** para seleccionar el álbum que contiene las canciones que desea borrar, presione el botón **SALTAR –/SINTONIZACIÓN –** o **SALTAR +/SINTONIZACIÓN +** para seleccionar la primera canción que desea borrar, luego presione el botón **PROG/+10/MEM** para marcar a borrar. Presione el botón **REPRODUCIR/PAUSAR/ENCENDER** para borrar el bloque de canciones.

**Formateo de una tarjeta de memoria**

Formatear una tarjeta de memoria es una forma rápida de borrar todas las canciones en una tarjeta de memoria y puede ayudara a solucionar problemas con la lectura de la tarjeta.

**Para formatear una tarjeta de memoria:**

- 1 Encienda su reproductor.
- 2 Presione el botón **FUNCIÓN** una o más veces para seleccionar **MEMORY CARD** (Tarjeta de memoria).
- 3 Inserte una tarjeta de memoria en la ranura para tarjetas de memoria. Su reproductor leerá la tarjeta y luego comenzará a reproducir automáticamente.
- 4 Presione el botón **DETENER/APAGAR**.
- 5 Presione el botón **COPIAR** una o más veces hasta que el mensaje **Format ?** (¿Formatear?), aparezca en la pantalla LCD, luego presione el botón **REPRODUCIR/PAUSAR/ENCENDER** para comenzar a formatear.

## INSIGNIA NS-P3114 Portable CD Player

### Copiado de pistas de un CD de audio a una tarjeta de memoria

Puede copiar pistas desde un CD de audio a una tarjeta de memoria. Cuando su reproductor copia las pistas, las guarda en la tarjeta de memoria como archivos MP3.

#### Para copiar pistas de un CD de audio a una tarjeta de memoria:

- 1 Encienda su reproductor.
- 2 Presione el botón **FUNCIÓN** una o más veces para seleccionar **DISC** (Disco).
- 3 Inserte un CD de audio y una tarjeta de memoria.
- 4 Presione el botón **COPIAR** una o más veces para seleccionar **Copy ?** (¿Copiar?).
- 5 Presione el botón **MODO/ESTÉREO/MONO** para seleccionar lo que desea copiar. Se puede seleccionar:
  - Track Copy (Copiar Pista) – Copia una canción individual.
  - Album Copy (Copiar Álbum) – Copia un álbum entero.
  - Disc Copy (Copiar Disco) – Copia un CD entero.
  - PGM Copy – (Copiar PGM) – Copia un bloque.
- 6 Si seleccionó:
  - Track Copy – Presione el botón **PREDEFINIDO –/ÁLBUM – ()** o **PREDEFINIDO +/ÁLBUM +** para seleccionar el álbum que contiene la canción que desea copiar, presione el botón **SALTAR –/SINTONIZACIÓN –** o **SALTAR +/SINTONIZACIÓN +** para seleccionar la canción que desea copiar, luego presione el botón **REPRODUCIR/PAUSAR/ENCENDER** para copiar la canción.
  - Album Copy – Presione el botón **PREDEFINIDO –/ÁLBUM –** o **PREDEFINIDO +/ÁLBUM +** para seleccionar el álbum que desea copiar, luego presione el botón **REPRODUCIR/PAUSAR/ENCENDER** para copiar el álbum.
  - Disc Copy – Presione el botón **REPRODUCIR/PAUSAR/ENCENDER** para copiar el disco.
  - PGM Copy – Presione el botón **PREDEFINIDO –/ÁLBUM –** o **PREDEFINIDO +/ÁLBUM +** para seleccionar el álbum que contiene las canciones que desea copiar, presione el botón **SALTAR –/SINTONIZACIÓN –** o **SALTAR +/SINTONIZACIÓN +** para seleccionar la primera canción que desea copiar, luego presione el botón **PROG/+10/MEM** para marcar un bloque a copiar. Presione el botón **REPRODUCIR/PAUSAR/ENCENDER** para copiar el bloque de canciones.



## NS-P3114 Portable CD Player

INSIGNIA™

**Cómo escuchar la radio****Para escuchar la radio:**

- 1 Encienda su reproductor.
- 2 Presione el botón **FUNCIÓN** una o más veces para seleccionar **RADIO**.
- 3 Para sintonizar una estación:
  - Manualmente – Presione el botón **SALTAR +/SINTONIZACIÓN +** o **SALTAR -/SINTONIZACIÓN -** durante menos de ½ segundo. Su reproductor sintoniza la frecuencia de la siguiente emisora de radio o la anterior.
  - Automáticamente – Presione y mantenga presionado el botón **SALTAR -/SINTONIZACIÓN -** o **SALTAR +/SINTONIZACIÓN +** por más de un segundo hasta que aparezca una frecuencia de estación de radio en la pantalla LCD, luego suelte el botón.
- 4 Mantenga presionado el botón **DETENER/APAGAR** por más de un segundo para apagar el reproductor.

**Notas:**

- El cable para audífonos es su antena de radio. Los audífonos deben estar conectados al reproductor para obtener una recepción clara. Si la recepción no es clara, extienda totalmente el cable de los audífonos.
- Si la sintonización automática no se detiene en una estación, o si la recepción es insatisfactoria, quizás sintonizó una frecuencia débil o el reproductor puede estar obstruido. Pruebe moviéndose a un lugar diferente o realice una sintonización fina presionando el botón **SALTAR -/SINTONIZACIÓN -** o **SALTAR +/SINTONIZACIÓN +**.

**Selección del modo de sonido**

Puede escuchar la radio en modo de estéreo o monofónico.

**Para seleccionar el modo de sonido:**

- Presione el botón **MODO/ESTÉREO/MONO**. El indicador **Estéreo** aparece en la pantalla LCD cuando el modo de sonido se encuentra en estéreo.

**Nota:** Si se escucha ruido de fondo cuando escucha la radio en el modo estéreo, seleccione el modo monofónico. El ruido de fondo se reduce, pero la estación se reproducirá en el modo monofónico.

**Cómo establecer estaciones predefinidas**

Puede predefinir hasta 30 estaciones de radio.

**Para predefinir estaciones:**

- 1 Encienda el reproductor, seleccione el modo **RADIO**, luego sintonice la estación que desea predefinir.
- 2 Presione el botón **PROG/+10/MEM**. El indicador **MEMO** aparece en la pantalla LCD.
- 3 Presione el botón **ESP/PREDEFINIDO +/ÁLBUM +** o **PREDEFINIDO -/ÁLBUM -** una o más veces para seleccionar el número predefinido que desea asignar a la emisora.
- 4 Presione el botón **PROG/+10/MEM** para guardar la selección predefinida.

## INSIGNIA NS-P3114 Portable CD Player

### Para sintonizar una estación predefinida:

- Presione el botón **ESP/PREDEFINIDO +/ÁLBUM +** o **PREDEFINIDO -/ÁLBUM -** una o más veces hasta que el número predefinido que desea aparezca en la pantalla LCD.

## Mantenimiento

### Limpieza del reproductor

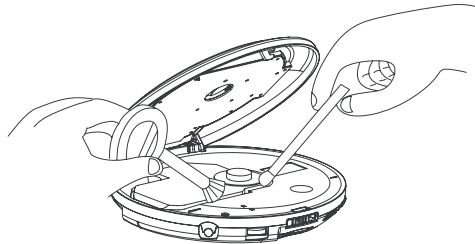
Limpie suavemente el exterior del reproductor con un paño suave y seco. Si el paño seco no limpia el reproductor, humedézcalo ligeramente con una solución de agua y detergente neutro, y vuelva a limpiar el reproductor.

### Limpieza del lente

Si el lente se ensucia, el reproductor puede saltar o no reproducir un CD.

#### Para limpiar el lente:

- 1 Abra la puerta del CD.
- 2 Para limpiar polvo o partículas secas, use un soplador/cepillo para lente de cámara para soplar sobre el lente una o dos veces, luego cepille el polvo o las partículas.



- 3 Para limpiar huellas digitales, use un hisopo de algodón seco para limpiar desde el centro hacia el borde exterior de la lente.



NS-P3114 Portable CD Player

**INSIGNIA**



### Cómo manipular los CD

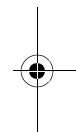
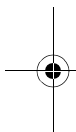
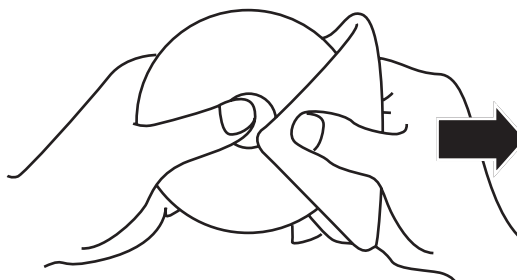
Un disco sucio, rayado o doblado puede causar ruido o saltos en la reproducción.

#### Para cuidar los CD:

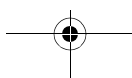
- Sujete los CD por los bordes.
- Guarde los CD en sus estuches cuando no estén en uso.
- No exponga los CD a la luz solar directa, humedad alta, temperatura alta o polvo. La exposición prolongada a temperaturas extremas puede deformar los CD.
- No pegue etiquetas ni cinta adhesiva sobre los CD.

#### Para limpiar un CD:

- Con un paño suave, limpie el CD desde el centro hacia el borde exterior.



**Cuidado:** Nunca utilice diluyentes, benceno, limpiador de discos o aerosoles antiestáticos en un CD porque causará daño a la superficie.



**INSIGNIA** NS-P3114 Portable CD Player  
**Especificaciones**

El diseño y las especificaciones están sujetos a cambio sin aviso previo.

<b>Captor</b>	
Sistema	Sistema de audio digital de disco compacto
Propiedades	Longitud de onda: 780 nm
Tipos de discos compatibles	CD de audio, CD-R, CD-RW, MP3, WMA
<b>Audio</b>	
Conversión D/A	DAC
Respuesta en frecuencia	20 ~ 20,000 Hz
Filtro y gimoteo	Debajo de los límites de medición
Número de canales	2 canales (estéreo)
Nivel de salida	Audífonos: 15 mW
Efecto de amplificador de graves (100 Hz)	> 6 dB
<b>Radio</b>	
Rango de frecuencia	FM: 87.5 ~ 108 MHz

NS-P3114 Portable CD Player



**Lector de tarjetas de memoria**

Formatos de archivos compatibles	<ul style="list-style-type: none"> <li>• MP3</li> <li>• WMA</li> </ul>
Sistemas de archivos compatibles	<ul style="list-style-type: none"> <li>• FAT12</li> <li>• FAT16</li> <li>• FAT32</li> </ul>
Reproducción de velocidad de bit compatibles	MP3: 32 kbps ~ 320 kbps WMA: 16 kbps ~ 160 kbps
Tarjetas de memoria compatibles	16 MB ~ 2 GB
<b>Pantalla</b>	LCD

**Generales**

Requisitos de alimentación	<ul style="list-style-type: none"> <li>• 2 x pilas alcalinas AA de 1.5 V LR6 (no incluidas)</li> <li>• 2x baterías recargables AA Ni-Cd/Ni-MH de 1.2 V 650 mA (no incluidas)</li> <li>• Conector de entrada de CC de 6 V 500 mA que acepta adaptador de alimentación de CA 120 V 60 Hz (centro positivo) (no incluido)</li> </ul>
Consumo de potencia	0.8 W (CC 3 V) bajo condiciones normales
Dimensiones Largo x Ancho x Alto	Aprox. 5.5 x 5.6 x 1.2 pulgadas (140 x 144 x 29 mm)
Peso	Aprox. 8.5 onzas (240 g)

**INSIGNIA** NS-P3114 Portable CD Player  
**Solución de problemas**

Síntoma	Causa probable	Solución
El reproductor no se enciende.	Pilas gastadas o débiles.	Reemplace las pilas
	El adaptador de CA no está conectado correctamente.	Asegúrese de que el adaptador de CA esté conectado correctamente.
El disco no se reproduce.	El CD está insertado incorrectamente.	Inserte el CD con la etiqueta hacia arriba.
	El CD está defectuoso.	Pruebe con otro CD.
	La puerta del CD no está cerrada.	Cierre la puerta.
	Se ha formado condensación dentro del reproductor.	Extraiga el disco, deje la puerta del CD abierta por una hora aproximadamente para que se evapore la condensación.

NS-P3114 Portable CD Player



Síntoma	Causa probable	Solución
No hay sonido en los audífonos.	Los audífonos no están correctamente conectados.	Asegúrese de que el conector de los audífonos esté enchufado en el conector para audífonos.
	El control de volumen esta en el nivel mínimo.	Aumenta el volumen.
	Las pilas están bajas.	Reemplace las pilas o use el adaptador de CA.
	El CD esta defectuoso.	Pruebe con otro CD.
El sonido está saltando.	El CD o la lente están sucios.	Limpie el CD o la lente.
	El reproductor está sometido a altas vibraciones.	Coloque la unidad sobre una superficie nivelada y estable.
Los botones no funcionan.	La función de bloqueo está activada.	Deslice el interruptor de <b>BLOQUEO</b> hacia la izquierda para desbloquear los botones.
La pantalla LCD muestra caracteres irregulares.	Las pilas están bajas.	Reemplace las pilas.
	El reproductor está sometido a descarga electrostática (electricidad estática).	Abra y cierre la puerta del CD, luego reinicie el reproductor.

**INSIGNIA** NS-P3114 Portable CD Player

Síntoma	Causa probable	Solución
No se pueden reproducir archivos MP3 creados por el usuario.	El reproductor no es compatible con archivos MP3 creados por el usuario.	Diferentes herramientas de compresión usan diferentes formatos de compresión y velocidades de compresión. El reproductor es compatible con el formato MP3 estándar. Cuando genere archivos MP3, no use los estándares "MPEG 1 Layer 1" o "MPEG 1 Layer 2". En su lugar, utilice el formato MPEG 1 Layer 3.
El tiempo en la pantalla LCD no es correcto cuando se reproducen archivos MP3.	El archivo MP3 fue generado usando el método VBR (velocidad de bit variable).	Genere archivos MP3 con velocidad de bit constante.
Algunos archivos MP3 no se pueden reproducir.	El archivo MP3 fue generado usando el formato "MPEG 1 Layer 1" o "MPEG 1 Layer 2".	Los formatos "MPEG 1 Layer 1" y "MPEG 1 Layer 2" son formatos más antiguos que no son compatibles con el reproductor. Si intenta reproducir archivos MP3 generados en estos formatos antiguos, el reproductor se puede saltar el archivo o apagarse. Borre los archivos con formatos MPEG antiguos del CD. Genere archivos MPG usando el formato "MPEG 1 Layer 3".





NS-P3114 Portable CD Player

**INSIGNIA**



## Avisos legales

### Declaración de la FCC:

Este aparato de Clase B cumple con el ICES-003 Canadiense.

Cualquier cambio o modificación que no esté aprobado expresamente por la parte responsable por el cumplimiento puede anular la autoridad del usuario para operar el equipo.

Este dispositivo satisface la parte 15 del reglamento FCC. Su operación está sujeta a las dos condiciones siguientes:

(1) Este dispositivo no puede causar interferencia dañina, y (2) este dispositivo debe aceptar cualquier interferencia recibida incluyendo interferencias que puedan causar una operación no deseada.

La circuitería del CD puede causar interferencia con las radios a su alrededor. Para evitar interferencias, apague el reproductor de CD o aléjelo de la radio afectada.

**Nota:** Este equipo ha sido sometido a prueba y se ha determinado que satisface los límites establecidos para ser clasificado como dispositivo digital de la Clase B de acuerdo con la Parte 15 del reglamento FCC. Estos límites se han establecido para proporcionar una protección razonable contra interferencias perjudiciales en una instalación residencial. Este equipo genera, utiliza y puede irradiar energía de radiofrecuencia y, si no es instalado y utilizado de acuerdo a las instrucciones, puede causar interferencias perjudiciales en las comunicaciones de radio. Sin embargo, no se garantiza que no ocurrirá interferencia en una instalación particular.

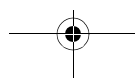
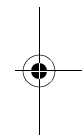
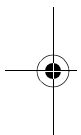
Si el equipo causa interferencias perjudiciales en la recepción de la señal de radio o televisión, lo cual puede comprobarse encendiéndolo y apagándolo alternativamente, se recomienda al usuario corregir la interferencia mediante uno de los siguientes procedimientos:

- Cambie la orientación o la ubicación de la antena receptora.
- Aumente la distancia entre el equipo y el receptor.
- Conectar el equipo a un tomacorriente de un circuito distinto de aquel al que esta conectado el receptor.
- Solicite consejo al distribuidor o a un técnico experto en radio/TV para obtener ayuda.

Este aparato de Clase B cumple con el ICES-003 Canadiense.

### Certificación de seguridad

Este Reproductor de Discos Compactos esta hecho y probado para cumplir con los estándares de seguridad de los requisitos del FCC y cumplir con el rendimiento de seguridad del Departamento Estadounidense de Salud y Servicios Humanos, y también con los estándares de rendimiento 21 CFR, Subcapítulo J de la radiación del FDA.



## INSIGNIA NS-P3114 Portable CD Player

### Seguridad del láser

**Precaución:** Radiación de láser invisible y peligrosa cuando está abierto y han fallado o se vencieron los seguros. Evite la exposición directa al rayo láser.

Esta unidad emplea un sistema de rayo láser óptico en el mecanismo del CD, el cual está diseñado con medidas de seguridad integradas. No intente desarmar la unidad; referir todas las reparaciones a personal de servicio calificado. La exposición a este rayo de luz láser invisible puede ser dañina para el ojo humano.

Este es un producto láser de Clase 1. El uso de cualquier otro control, ajuste o procedimiento que no sea especificado en este manual puede resultar en una exposición peligrosa al rayo de luz láser.

### GARANTIA LIMITADA

Insignia Products le garantiza a usted, el comprador original de este producto, estará libre de defectos de material y mano de obra durante un periodo de noventa (90) días a partir de la fecha de compra, según como se establece a continuación:

- 1 MANO DE OBRA:** Durante el Periodo de Garantía, si se encuentra que este producto está defectuoso, Insignia reparará o reemplazará el Producto, a su discreción sin costo alguno, o pagará los cargos de reparación a un centro autorizado de servicio de Insignia. Después del periodo de garantía, usted deberá cubrir todos los gastos de mano de obra.
- 2 REPUESTOS:** Además, Insignia proveerá, sin costo alguno, repuestos ya sean nuevos o como nuevos como reemplazo de los componentes que se encuentren defectuosos durante el Periodo de Garantía. Después del periodo de garantía, usted deberá cubrir todos los gastos ocasionados por los repuestos.

Para obtener servicio de garantía, usted deberá llevar el Producto con su recibo original u otra prueba de compra, ya sea en su empaque original o en un empaque que proporcione el mismo grado de protección, al centro de ventas más cercano de la tienda o sitio de web donde usted compró el Producto. Esta garantía no abarca daños cosméticos, o daños por fuerzas de la naturaleza, rayos, accidentes, uso indebido, abuso, negligencia, uso comercial o modificación de alguna parte del Producto, incluyendo la antena. Esta garantía no abarca daño debido a operación o mantenimiento inadecuado, conexión a una fuente de voltaje inadecuada, o el intento de reparación por parte de cualquier persona excepto un representante autorizado por Insignia para llevar a cabo dicha reparación del Producto. Esta garantía no abarca Productos vendidos que no mantengan las condiciones originales o con falla, o consumibles (tales como fusibles o baterías.) Esta garantía es válida únicamente en Los Estados Unidos de América y Canadá. Esta garantía será anulada si el número de serie aplicado en la fábrica ha sido alterado o removido del Producto.



## NS-P3114 Portable CD Player

**INSIGNIA**

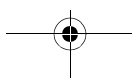
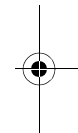
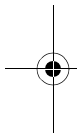


REEMPLAZO O REPARACIÓN PROVEÍDOS MEDIANTE ESTA GARANTÍA SON LA ÚNICA SOLUCIÓN OFRECIDA AL CLIENTE. INSIGNIA NO SERÁ RESPONSABLE POR DAÑOS INCIDENTALES O DIRECTOS CAUSADOS POR LA VIOLACIÓN DE CUALQUIER GARANTÍA EXPRESA O IMPLÍCITA PARA CON ESTE PRODUCTO. CON EXCEPCIÓN DEL ALCANCE PERMITIDO POR LA LEY, CUALQUIER GARANTÍA IMPLÍCITA O CONDICIÓN DE COMERCIALIZACIÓN O ADECUACIÓN PARA UN FIN DETERMINADO ESTÁ LIMITADO POR LA DURACIÓN DE LA GARANTÍA. Algunos estados o provincias no permiten la exclusión o límite de daños incidentales o directos, o no permiten límite en la vigencia de la garantía implicada, así que en este caso los límites o exclusiones anteriores no son aplicables al cliente. Esta garantía le da derechos legales específicos, y usted puede poseer otros derechos que varían de estado a estado, o provincia a provincia.

Para servicio al cliente favor llamar al 1-877-467-4289

[www.insignia-products.com](http://www.insignia-products.com)

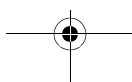
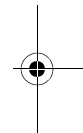
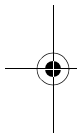
Insignia Products, Richfield, Minnesota, U.S.A.





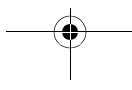
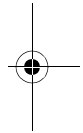
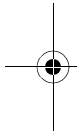
**INSIGNIA**

NS-P3114 Portable CD Player





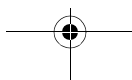
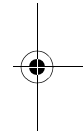
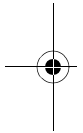
**NS-P3114 Portable CD Player**

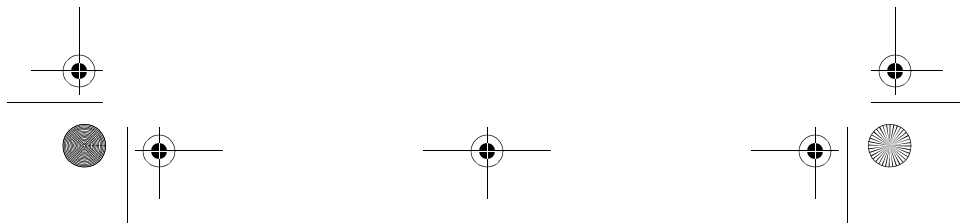
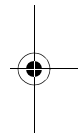
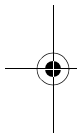
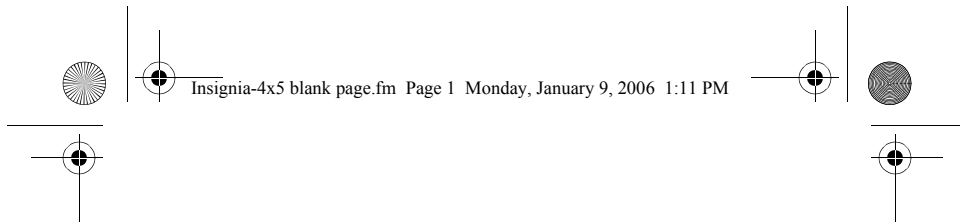




**INSIGNIA**

NS-P3114 Portable CD Player





# INSIGNIA™

**Distributed by Insignia™ Products**  
**Distribué par Insignia™ Products**  
**Distribuido por Insignia™ Products**

7601 Penn Avenue South, Richfield, MN USA 55423-3645  
[www.Insignia-Products.com](http://www.Insignia-Products.com)

© 2006 Insignia™ Products. All rights reserved. All other products and brand names are trademarks of their respective owners.

© 2006 produits Insignia™. Tous droits réservés. Tous les autres produits ou noms de marques sont des marques de commerce qui appartiennent à leurs propriétaires respectifs.

© 2006 productos Insignia™. Todos los derechos reservados. Todos los demás productos y marcas son marcas comerciales de sus respectivos dueños.



## Free Manuals Download Website

<http://myh66.com>

<http://usermanuals.us>

<http://www.somanuals.com>

<http://www.4manuals.cc>

<http://www.manual-lib.com>

<http://www.404manual.com>

<http://www.luxmanual.com>

<http://aubethermostatmanual.com>

Golf course search by state

<http://golfingnear.com>

Email search by domain

<http://emailbydomain.com>

Auto manuals search

<http://auto.somanuals.com>

TV manuals search

<http://tv.somanuals.com>