

# INSIGNIA™

## QUICK SETUP GUIDE

32" LED TV  
NS-32D512NA15

**Thank you**  
for purchasing this state-of-the-art Insignia television. We hope you enjoy the quality and reliability of this television for years to come.



**Roku Ready®**  
Your TV is certified to work with the Roku Streaming Stick™. Instantly stream 1000+ entertainment channels, including Netflix, Hulu Plus, Pandora, and more. Connect the Streaming Stick (not included) to the purple MHL port on your TV and enjoy.

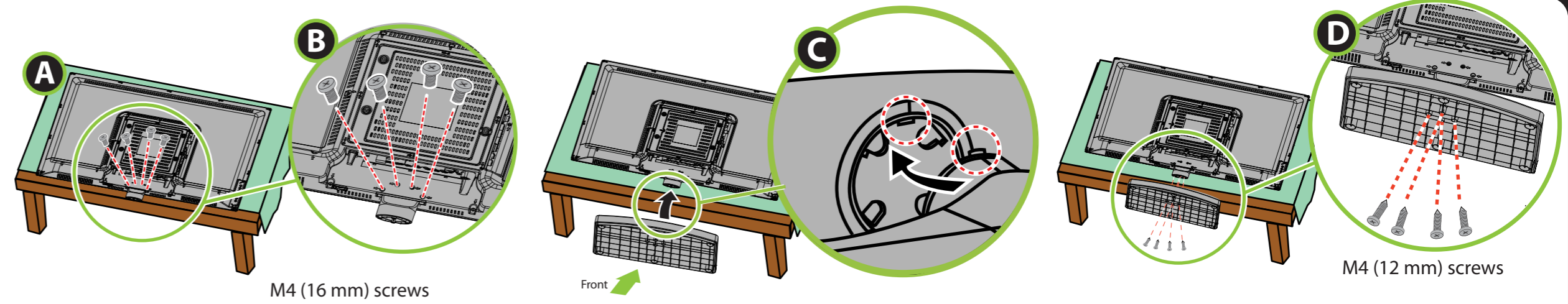
**FIND YOUR USER GUIDE ONLINE!**  
We are going green so a copy of your User Guide is not provided in the box but is available online. Go to [www.insigniaproducts.com](http://www.insigniaproducts.com), then click **Support & Service**. Enter your model number in the box under **Manual, Firmware, Drivers & Product Information**, then click ▶.



### 1 START HERE

#### How do I attach the stand to my TV? (not for wall mounting)

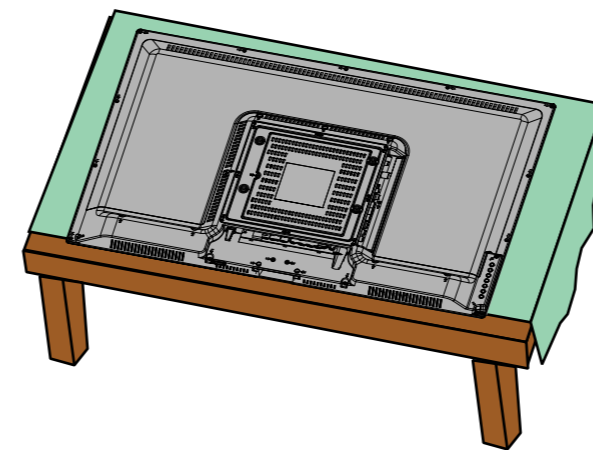
- You'll need:** Phillips screwdriver and a soft surface to lay the TV on.
- A** Carefully place your TV face-down on a cushioned, clean surface to protect the screen.
  - B** Attach the stand column using the four provided M4 (16 mm) screws. These are the longer screws.
  - C** Find the front of the stand. Attach to the TV by hooking the slot in the stand onto the tab on the stand column, then push the base into place.
  - D** Secure the TV stand with the four provided M4 (12 mm) screws. These are the shorter screws.



- OR -

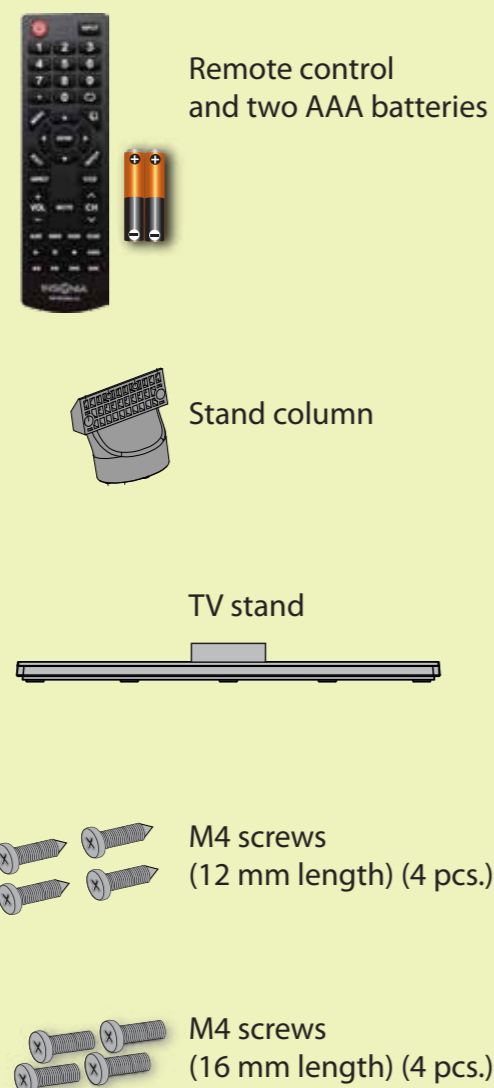
#### How do I prepare my TV for wall mounting (not for use with a TV stand)

- A** Carefully place your TV face-down on a cushioned, clean surface to protect the screen.
- B** See the instructions that came with your wall mount for more information about how to correctly mount your TV.



**STOP!**  
Do not plug your power cord in until all other devices have been connected.

#### Included accessories



#### Which cables do you have?

Your TV has several different jacks for connecting devices. For the best video quality, use the best available connection.

VIDEO QUALITY	JACKS TYPE	CABLE CONNECTOR
<b>BEST</b>	HDMI video/audio	
<b>BETTER</b>	Component video and analog audio	
<b>GOOD</b>	Composite video and analog audio (AV)	
<b>GOOD</b>	Coaxial video/audio	

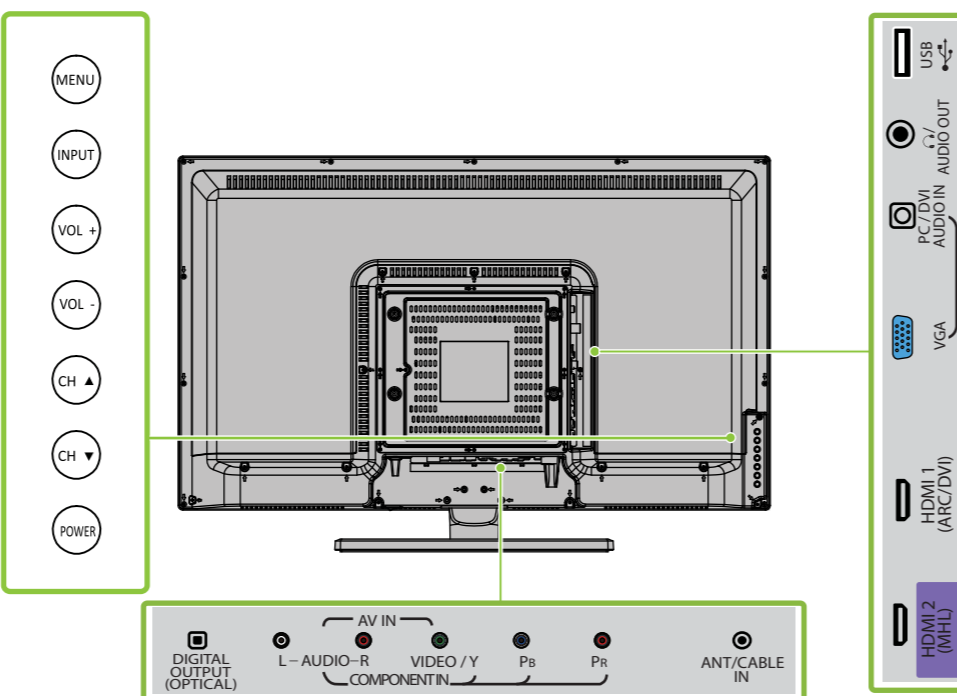
**Note:** You can also connect a DVI device to your TV. See your online User Guide for connection instructions.

#### Features

Front view



Back view

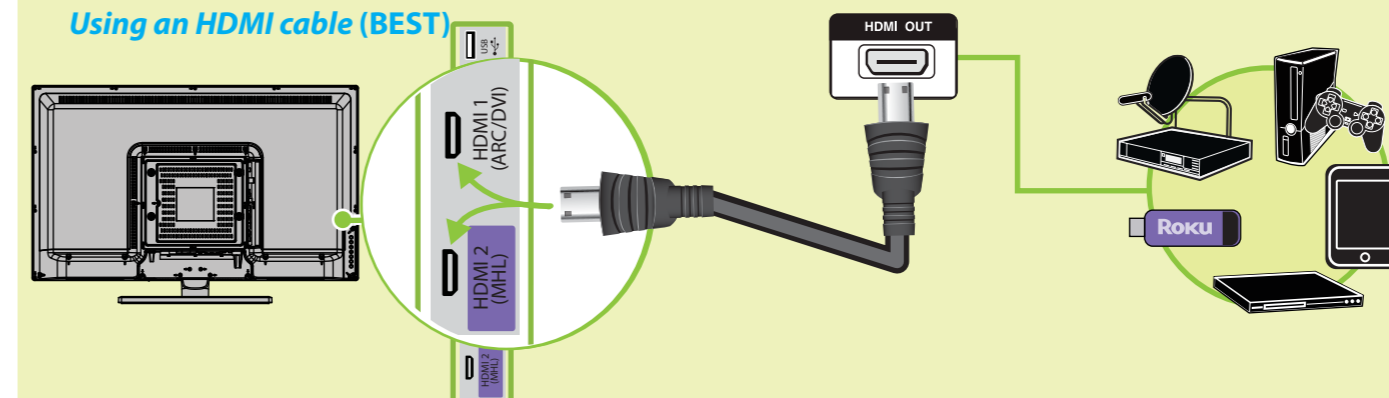


**Note:** Images do not necessarily represent the exact design of your television.

### 2 MAKING CONNECTIONS

#### How do I watch TV (cable or satellite box) and/or connect a device such as a DVD or Blu-ray disc player, game console, Roku Streaming Stick™, or MHL-enabled device?

##### Using an HDMI cable (BEST)

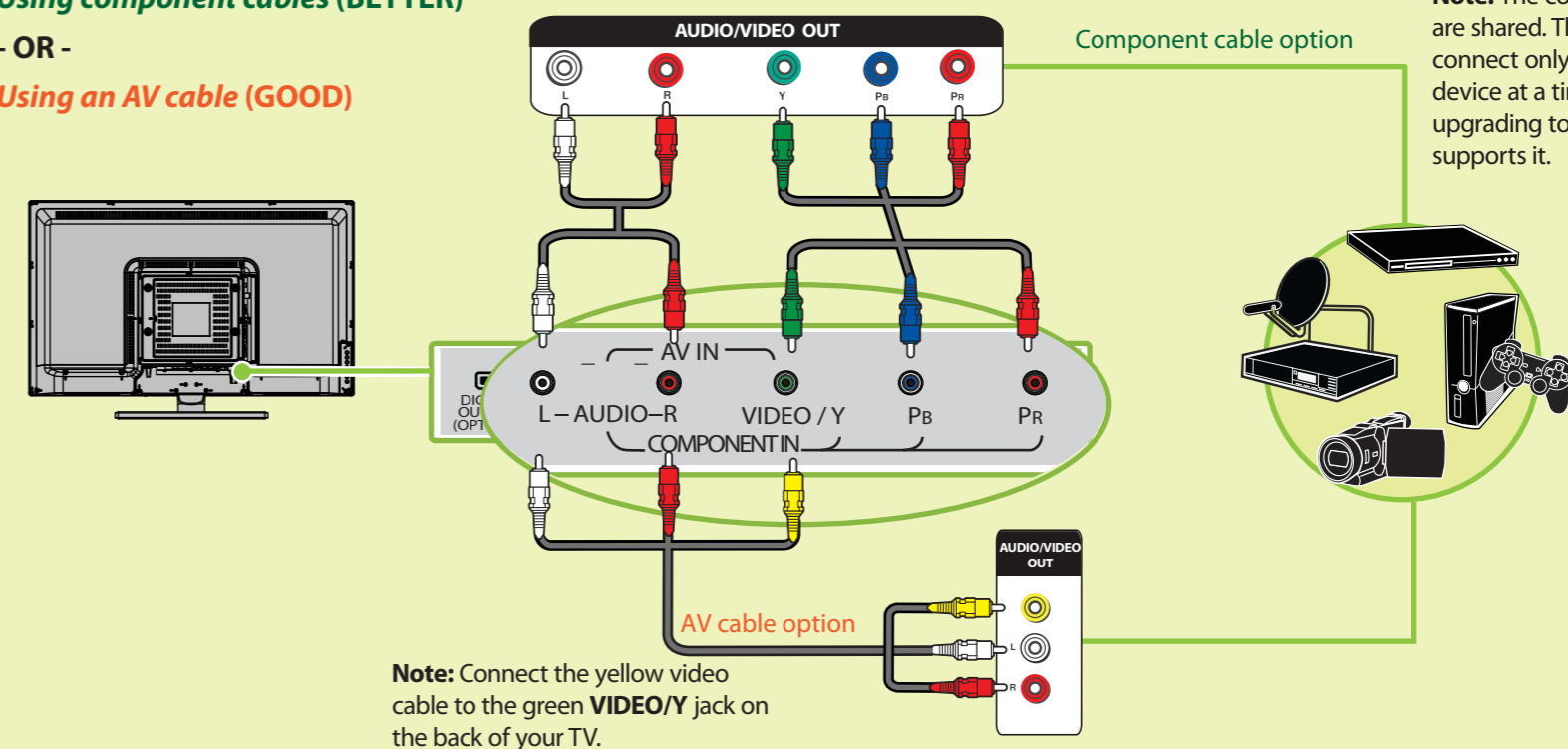


**Multi-purpose jacks:** You can plug any device that uses HDMI into either HDMI jack. However, certain devices must be connect to the **ARC** or **MHL** jack. See the instructions that came with your ARC, DVI, or MHL device for more information.

##### Using component cables (BETTER)

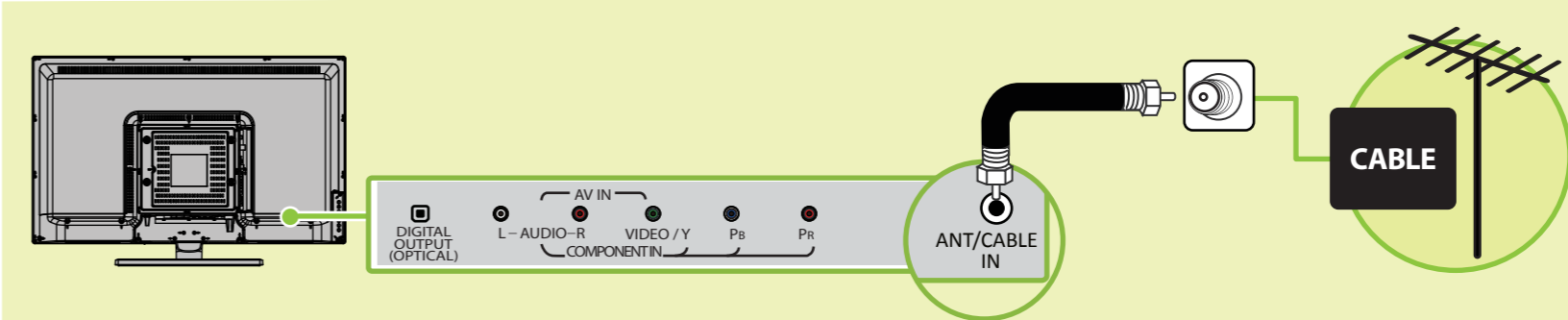
- OR -

##### Using an AV cable (GOOD)



**Note:** The component and AV jacks are shared. This means you can connect only one component or AV device at a time. We suggest upgrading to HDMI if your device supports it.

#### How do I connect my TV to an antenna or cable wall jack?



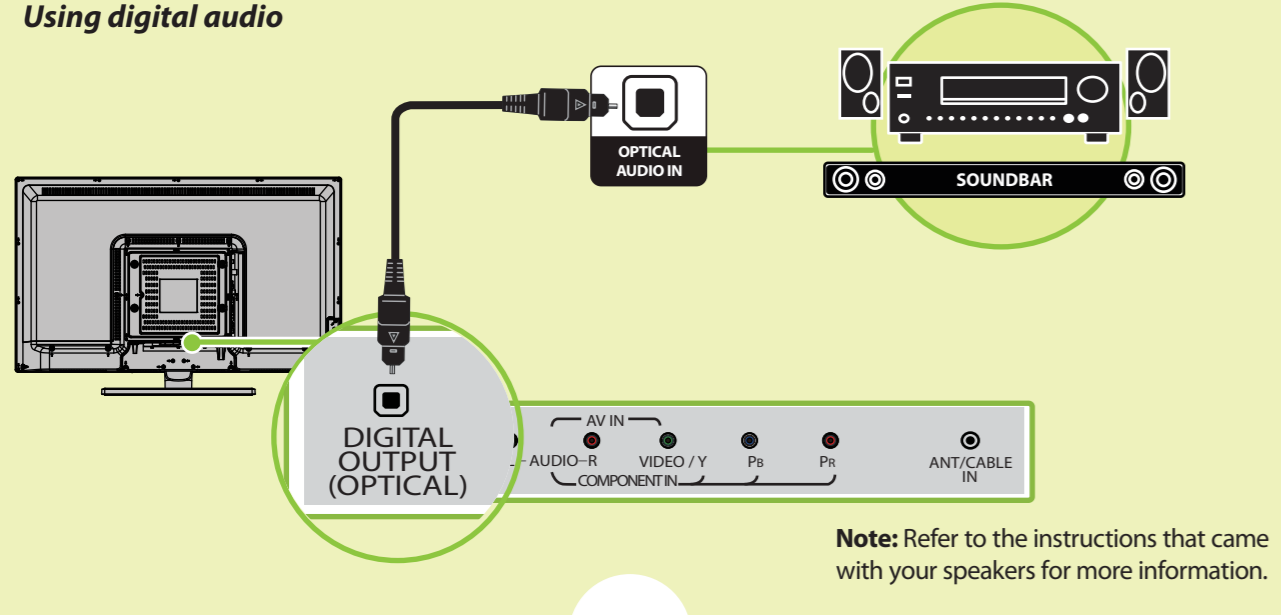
OVER



### 3 CONNECTING AUDIO DEVICES

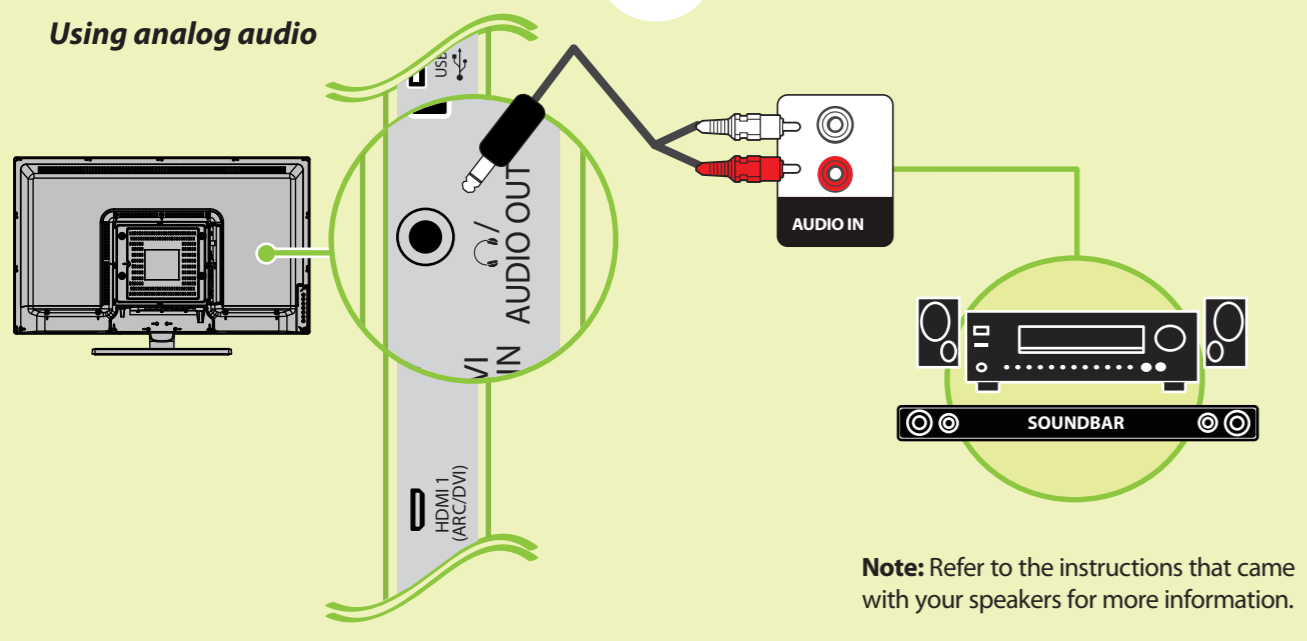
#### How do I connect my TV to external speakers?

##### Using digital audio



- OR -

##### Using analog audio



### Using your remote control

Roku Ready® means you can use your Insignia remote to control the Streaming Stick without having to pick up a different remote control.

**INPUT SOURCE**

- TV
- HDMI1
- HDMI2
- Component/AV
- VGA
- USB(Photos)

**PICTURE**

Picture Mode: Vivid

Backlight: 25

Brightness: 50

Contrast: 50

Color: 50

Tint: R25

Sharpness: 50

Advanced Video: 50

**What are my screen-size options?**

- NORMAL:** Original aspect ratio is preserved. Black bars are present if content is not widescreen (16:9)
- ZOOM:** Expands the image to fill the screen. The top and bottom of the image may be cropped.
- WIDE:** Displays content recorded in a 16:9 (wide-screen) aspect ratio.
- CINEMA:** Stretches the image at the edges, but keeps a clear image in the center.
- AUTO:** Automatically adjusts the image based on the screen size and the TV program. Select this option if you are uncertain which aspect ratio to choose. **Note:** Auto is only available when Auto Zoom in the Channels menu is set to On.

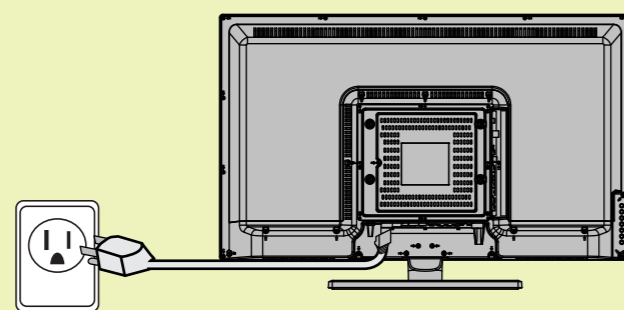
### 4 TURNING ON MY TV

#### When can I turn on my TV?

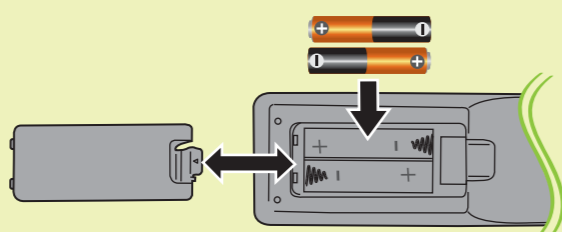
The best time to turn on your TV is after you have attached the TV stand or wall-mounted your TV and connected all devices.

##### When your television is in place:

1 Plug the end of the AC power cord into a power outlet.



2 Remove the remote control cover and install the batteries, matching the + and - symbols.



3 Press (power) on your remote control.

4 Follow the on-screen instructions.



### I already have a universal remote control. How do I make it control this TV?

If you already have a universal remote control that you would like to program to work with your TV and don't want to use the included Insignia remote control, see the table for common codes.

UNIVERSAL REMOTE TV CODES	
CABLE BOX, SATELLITE BOX, OR OTHER SET-TOP BOX	
<b>Cablevision</b>	068, 069, 078, 096, 100, 164, 168, 229, 026
<b>Charter</b>	2002, 1204, 1423, 1517, 0171, 1963, 0463, 1463, 0842, 1326, 167, 415, 424, 450, 456, 461, 507, 523, 567, 577, 586
<b>Comcast</b>	10171, 11204, 11326, 11463, 11517, 11641, 11780, 11785, 11892, 11963, 12002
<b>Cox</b>	1326, 1463
<b>Direct TV</b>	10171, 11204, 11326, 11517, 11564, 11641, 11963, 12002
<b>Dish Network</b>	720
<b>Time Warner</b>	400, 450, 461, 456, 10463, 1463, 0463
<b>Tivo</b>	0091
<b>Verizon</b>	0198, 0490
UNIVERSAL REMOTE CONTROLS	
<b>One for All</b>	0054
<b>Philips</b>	0198, 0490
<b>RCA</b>	135
<b>Sony</b>	068, 069, 078, 096



For an up-to-date list of codes for other cable providers and universal remote brands, scan this QR code or visit [www.insigniaproducts.com/remotecodes](http://www.insigniaproducts.com/remotecodes)

**One-year limited warranty**  
Visit [www.insigniaproducts.com](http://www.insigniaproducts.com) for details.

**Need additional help?**  
See your online *User Guide!* This comprehensive guide includes everything from basic how-to steps to more advanced features. A copy of your *User Guide* is not provided in the box but is available online. Go to [www.insigniaproducts.com](http://www.insigniaproducts.com), then click **Support & Service**. Enter your model number in the box under **Manual, Firmware, Drivers & Product Information**, then click ▶.

Check out our **Support Community** <http://community.insigniaproducts.com/> for helpful information from other Insignia TV owners.

**We're here for you**  
[www.insigniaproducts.com](http://www.insigniaproducts.com)  
For customer service, call:  
**877-467-4289** (U.S./Canada)

INSIGNIA is a trademark of Best Buy and its affiliated companies.  
Registered in some countries.  
Distributed by Best Buy Purchasing, LLC  
7601 Penn Ave South, Richfield, MN 55423 U.S.A.  
©2014 Best Buy. All rights reserved.  
Made in China

## Free Manuals Download Website

<http://myh66.com>

<http://usermanuals.us>

<http://www.somanuals.com>

<http://www.4manuals.cc>

<http://www.manual-lib.com>

<http://www.404manual.com>

<http://www.luxmanual.com>

<http://aubethermostatmanual.com>

Golf course search by state

<http://golfingnear.com>

Email search by domain

<http://emailbydomain.com>

Auto manuals search

<http://auto.somanuals.com>

TV manuals search

<http://tv.somanuals.com>