

## STORING YOUR TRIPOD

- 1 Remove your camera.
- 2 Lower the center column.
- 3 Push on any leg to close the tripod.
- 4 Collapse the legs.
- 5 Store the tripod in the carrying case.

## IMPORTANT SAFETY INSTRUCTIONS

- Make sure that all leg locks are correctly tightened and that the legs are fully opened before use.
- Do not carry or transport your tripod with camera equipment attached (for example, over your shoulder or cradled in your arms).
- Do not expose your tripod to excessive heat or cold, or use near any flame or fire.
- Do not oil or grease any part of the tripod.
- Do not use any solvents or thinners to clean your tripod. Use only a mild detergent and wipe dry with a soft, lint-free cloth.
- Do not exceed the load limit of this tripod.

## SPECIFICATIONS

Folded length: 22.1 in. (56 cm)  
Maximum height: 58 in. (147.3 cm)  
Minimum height: 21.3 in. (54 cm)  
Weight: 2.2 lbs (1 kg)  
Load capacity: 8.8 lbs (4 kg)

## ONE-YEAR LIMITED WARRANTY

Visit [www.insigniaproducts.com](http://www.insigniaproducts.com) for details.

## CONTACT INSIGNIA:

For customer service, call 877-467-4289 (U.S. and Canada) or 01-800-926-3000 (Mexico)  
[www.insigniaproducts.com](http://www.insigniaproducts.com)

INSIGNIA is a trademark of Best Buy and its affiliated companies.  
Registered in some countries.  
Distributed by Best Buy Purchasing, LLC  
7601 Penn Ave South, Richfield, MN 55423 U.S.A.  
©2014 Best Buy. All rights reserved.  
Made in China

INSIGNIA™

Quick Setup Guide | NS-TRP58  
**58" Lightweight Tripod**



## PACKAGE CONTENTS

- Tripod
- Carrying case
- Quick Setup Guide

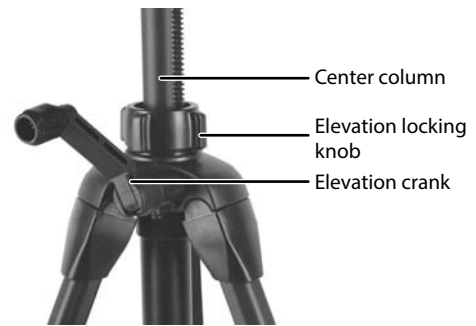
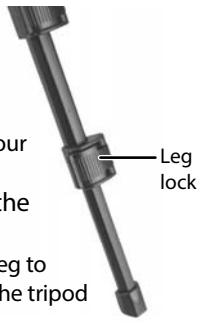
## FEATURES



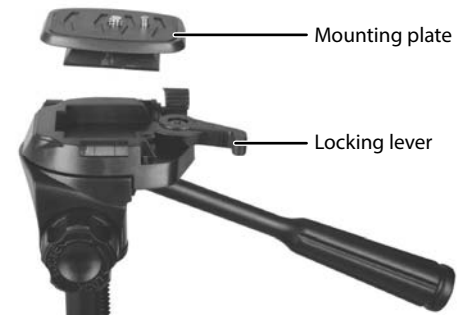
#	ITEM	DESCRIPTION
1	Quick-release plate	Mount your camera to this plate, then mount this plate to the tripod.
2	Leveling bubble	The quick-release plate is level when the bubble is within the circle.
3	Pan locking knob	Locks the tripod head so that it will not rotate horizontally.
4	Elevation locking knob	Locks the center column in place.
5	Elevation crank	Raises and lowers the center column.
6	Quick-release plate locking lever	Secures the quick-release plate to the tripod.
7	Vertical tilt lock knob	Adjusts the vertical tilt up to 90 degrees.
8	Horizontal tilt lock handle	Adjusts the horizontal tilt.
9	Grip sponge	Grip the tripod comfortably.
10	Locking collar	Locks the tripod legs in place to provide maximum stability and strength.
11	Flip-lever leg locks	Lift to adjust leg height, then close to lock.
12	Rubber feet	Provide a secure, non-slip footing for your tripod.

## SETTING UP YOUR TRIPOD

- 1 Open the flip-lever leg locks on each leg. Extend the leg sections from the top down (thickest section first) to reach the height you want.  
**Note:** Adjusting the thickest leg sections first gives your tripod more stability and support.
- 2 Close the flip-lever leg locks to lock each leg at the desired length.  
**Caution:** Securing a leg lock incorrectly can cause a leg to retract unexpectedly and could result in damage to the tripod or equipment mounted on the tripod.
- 3 Loosen the locking collar on the center column, then spread the legs to the preset angle. Set the tripod on a firm surface. Tighten the locking collar to stabilize your tripod.
- 4 Adjust the height of the center column by loosening the elevation locking knob, turning the elevation crank until the center column is at the height you want, then tightening the knob. Turn the locking knob clockwise to lock the center column in place.



- 5 Hold the quick-release plate locking lever open, then lift the mounting plate to remove it.



- 6 Align the bottom of your camera or camcorder with the 1/4" mounting screw and indexing pin (if necessary) on the plate, then secure your camera or camcorder to the plate with the screw. The screw should be tight. The indexing pin retracts if it is not required.
- 7 Open the plate locking lever and slide the plate onto the tripod head. Push the lever until it stops to secure the plate.

## USING YOUR TRIPOD

- 1 To adjust vertical tilt, loosen the vertical tilt lock knob, rotate the plate up to 90 degrees, then tighten the knob.
- 2 To adjust horizontal tilt, turn the horizontal tilt lock handle counter-clockwise, tilt the tripod head, then tighten the handle.
- 3 To pan, turn the pan locking knob counter-clockwise, pan the tripod head, then tighten to lock in place or continue panning.  
**Note:** For maximum stability, always make sure that your camera lens is over a leg.

## Free Manuals Download Website

<http://myh66.com>

<http://usermanuals.us>

<http://www.somanuals.com>

<http://www.4manuals.cc>

<http://www.manual-lib.com>

<http://www.404manual.com>

<http://www.luxmanual.com>

<http://aubethermostatmanual.com>

Golf course search by state

<http://golfingnear.com>

Email search by domain

<http://emailbydomain.com>

Auto manuals search

<http://auto.somanuals.com>

TV manuals search

<http://tv.somanuals.com>