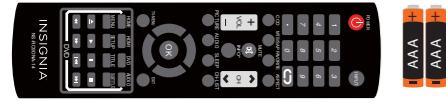
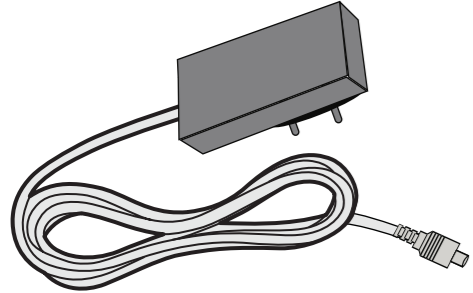


INCLUDED ACCESSORIES

Remote control and two AAA batteries



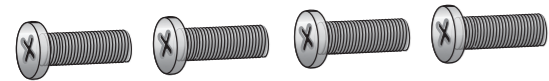
Power adapter



TV stand



B4 type (18mm length) (4 pcs.)



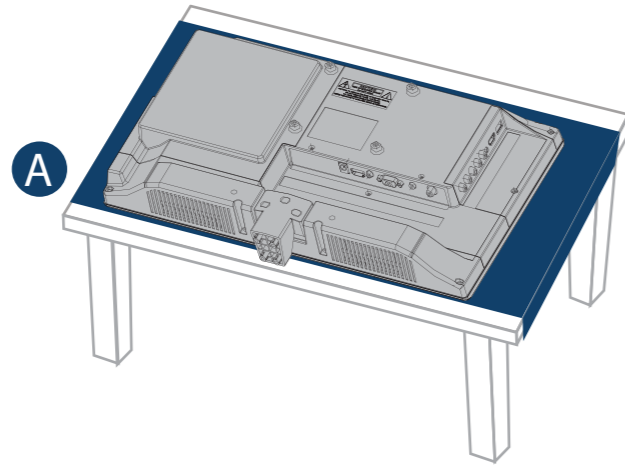
FIND YOUR USER GUIDE ONLINE!
Go to www.insigniaproducts.com, then click **Support & Service**. Enter NS-20ED310NA15 in the box under **Manual, Firmware, Drivers & Product Information**, then click ▶.

STOP
Do not plug your power cord in until all other devices have been connected.

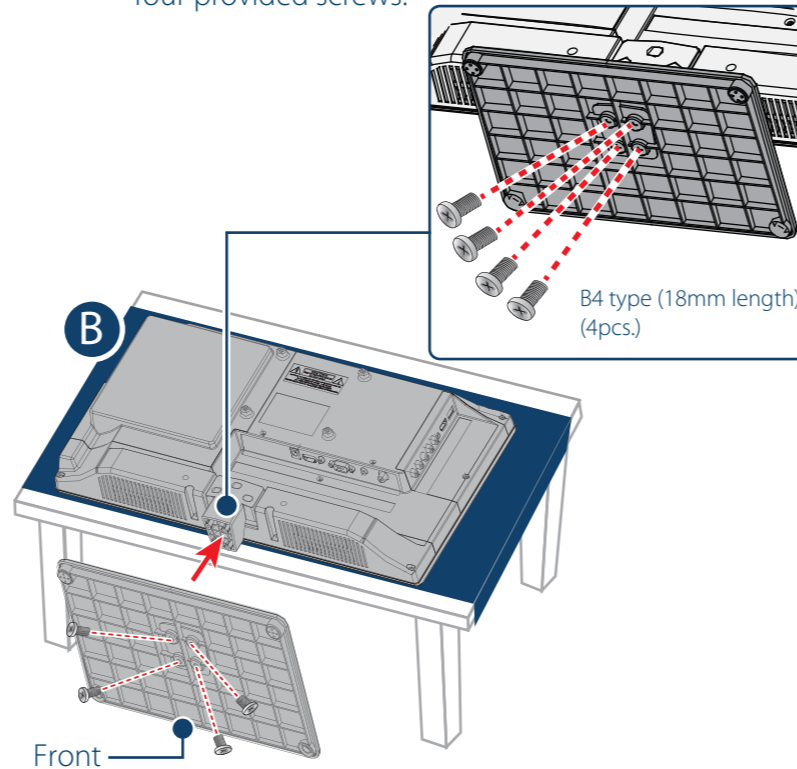
1 START HERE

How do I attach the stand to my TV? (not for wall mounting)
You'll need: Soft surface and Phillips screwdriver

A Carefully place your TV face-down on a cushioned, clean surface.



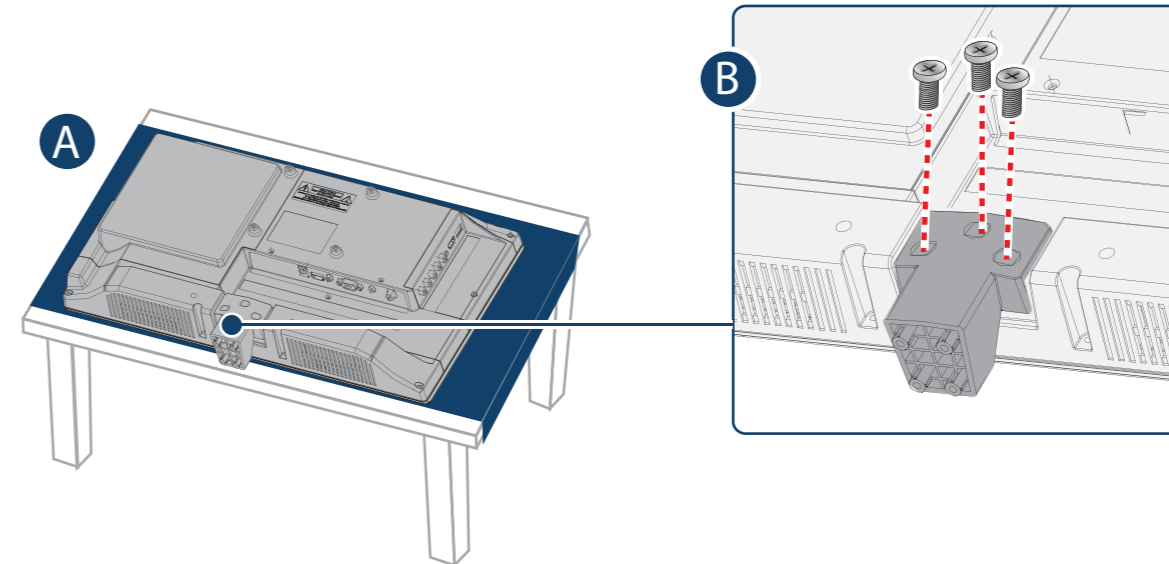
B Secure the TV stand to the TV with the four provided screws.



WALL MOUNT

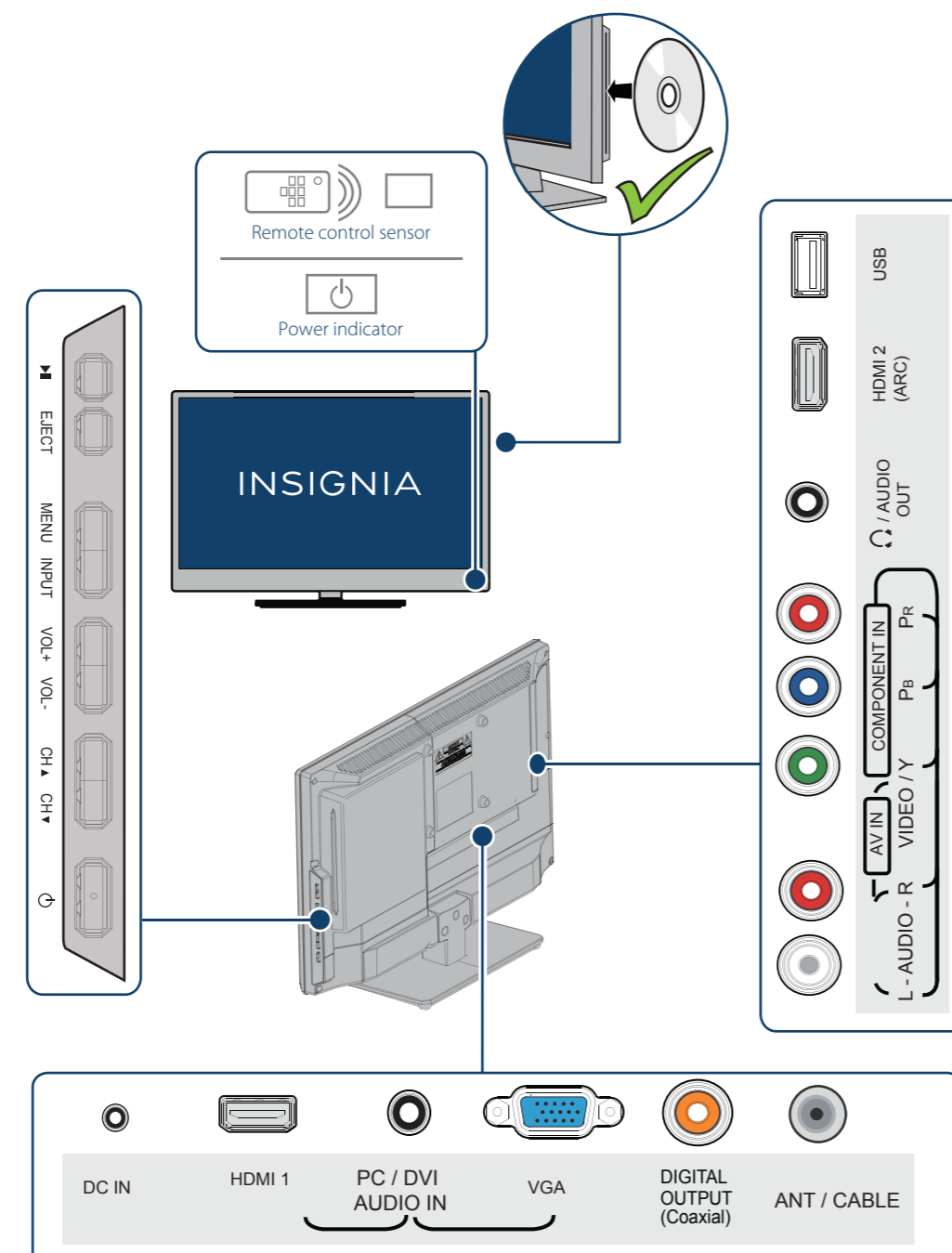
How do I prepare my TV for wall mounting? (not for use with a TV stand)
You'll need: Soft surface and Phillips screwdriver

A Carefully place your TV face-down on a cushioned, clean surface.
B Remove the three screws that secure the stand column to the TV, then remove the stand column.
C See the instructions that came with your wall mount for more information about how to correctly mount your TV.



C Your TV has four VESA mounting holes on the back. If you attach a wall-mount bracket to the back of your TV, the bracket must be securely attached, using all four holes. If you do not use all four mounting holes, your TV may fall and cause property damage or personal injury. See the documentation that came with your wall mount for complete mounting instructions.

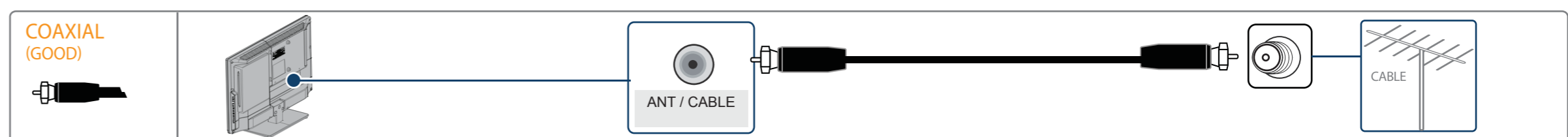
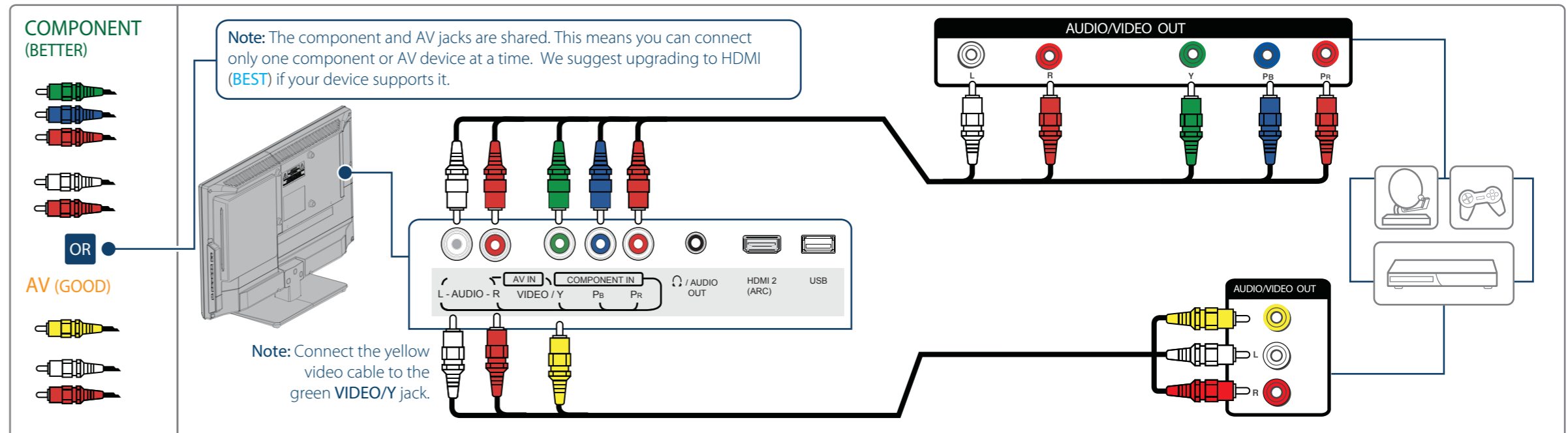
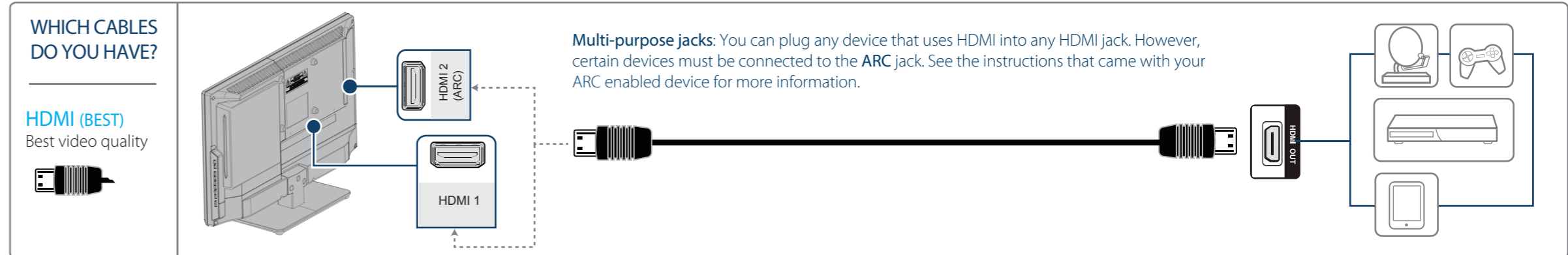
FEATURES



Before using your new product, please read these instructions to prevent any damage.

2 MAKING CONNECTIONS

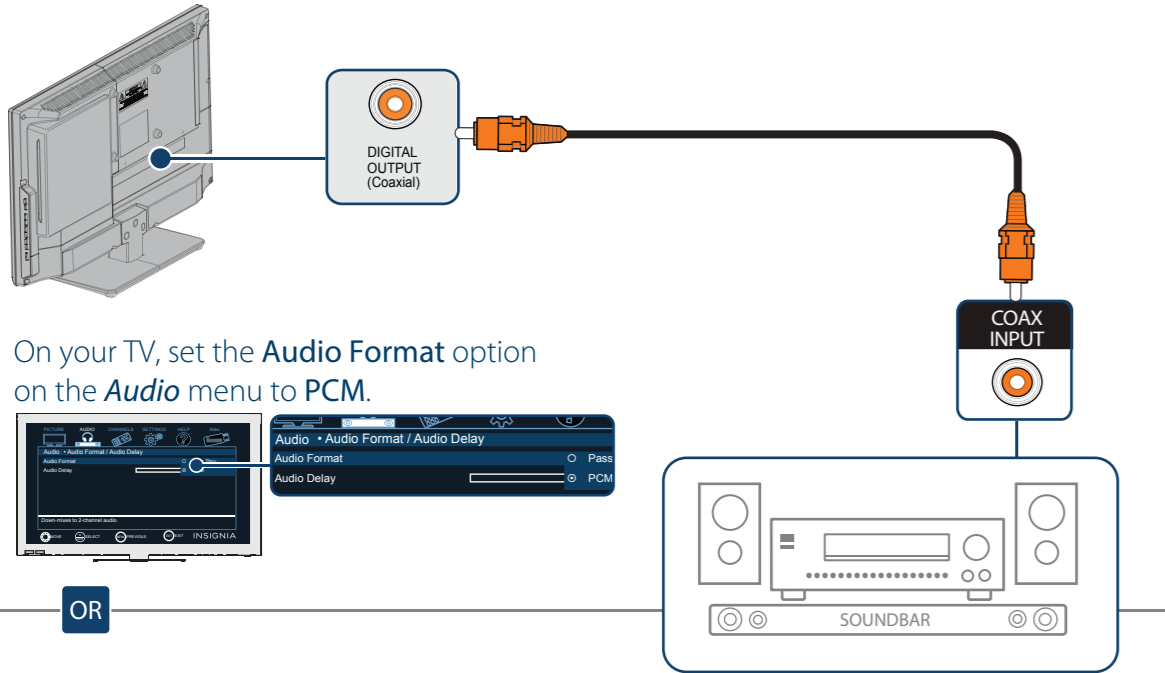
How do I watch TV (cable, satellite, or antenna) or connect a device such as a DVD or Blu-ray disc player or game console.



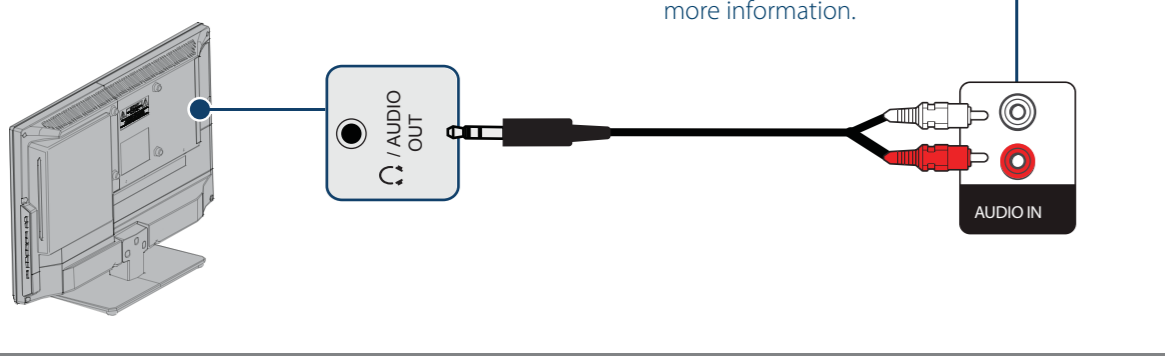
3 CONNECTING AUDIO DEVICES

How do I connect my TV to external speakers?

USING DIGITAL AUDIO



USING ANALOG AUDIO

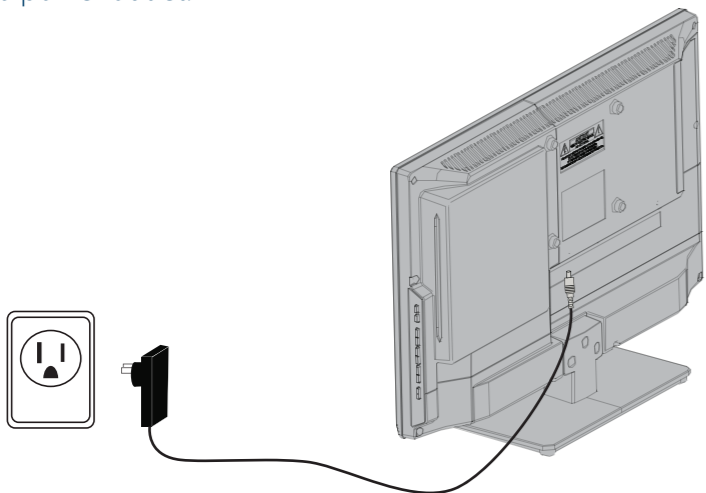


4 TURNING ON MY TV

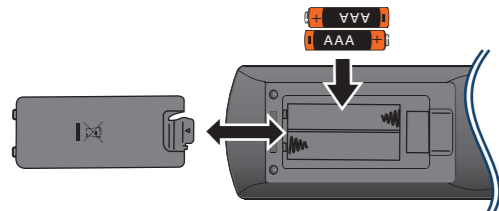
When can I turn on my TV?

WHEN YOUR TV IS IN PLACE:

- 1 Plug one end of the power cord into the **DC IN** connector on the back of your TV and the other end into a power outlet.



- 2 Remove the remote control cover and install the batteries.



- 3 Press (power) on your remote control.

- 4 Follow the on-screen instructions.



USING YOUR REMOTE CONTROL

Power Turns your TV on or off.

Numbers Enter channel numbers and parental control password.

ENTER Enters a digital sub-channel number (for example 4.1).

CCD Turns closed captioning on or off.

MTS/SAP Analog TV - Cycles through mono, stereo, and secondary audio for analog programs. Digital TV - Selects the audio language for the current channel.

Volume Changes the volume.

PICTURE Selects the picture mode.

AUDIO Selects the audio mode.

TV-MENU Opens the TV menu.

OK Confirms selections or opens a sub-menu.

HOME Opens the TV menu.

Menu Opens the DVD menu.

Setup Opens the DVD system setup.

Media Controls DVD - Navigate in DVD playback. USB - Control the photo slideshow. INlink - Control HDMI-CEC devices connected to your TV.

INPUT Opens the **INPUT SOURCE** list.

RECALL Returns to the previous channel.

ASPECT Changes how the picture is displayed on the screen.

FAVORITE Opens the Favorite Channel List.

MUTE Mutes the sound.

Channel Changes the TV channels.

INFO* Opens a TV status banner.

CH-LIST Opens the channel list.

SLEEP Sets the sleep timer.

Arrows Navigate in TV menus.

EXIT Closes the TV menu.

Quick Launch Inputs Select an HDMI device or the built-in DVD player.

Audio Selects a different audio language if available.

Subtitle Selects the DVD subtitle language.

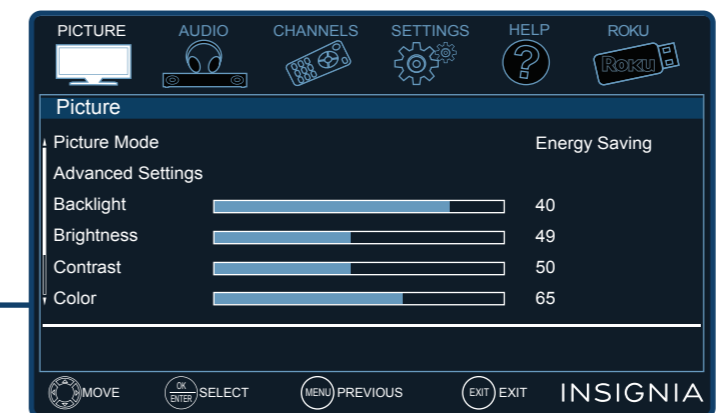
TITLE Opens the DVD title menu if the DVD supports this feature.

INPUT SOURCE

- TV
- DVD
- HDMI 1
- HDMI 2
- Component/AV
- VGA
- USB(Photos)

What are my screen-size options?

- NORMAL:** Original aspect ratio is preserved. You might see black bars if the original content is not widescreen (16:9).
- ZOOM:** Expands the image to fill the screen. The top and bottom of the image may be cropped.
- WIDE:** Use to watch content that was recorded in widescreen (16:9).
- CINEMA:** Stretches the image at the edges, but keeps a clear image in the center.
- AUTO:** Automatically adjusts the image based on the screen size and the TV program. Select this option if you don't know which aspect ratio to choose. Note: Auto is only available when Auto Zoom in the Channels menu is set to On.



ONE-YEAR LIMITED WARRANTY
Visit www.insigniaproducts.com for details.

NEED ADDITIONAL HELP?
See your online **User Guide!** This comprehensive guide includes everything from basic how-to steps to more advanced features. A copy of your **User Guide** is not provided in the box but is available online. Go to www.insigniaproducts.com, then click **Support & Service**. Enter **NS-20ED310NA15** in the box under **Manual, Firmware, Drivers & Product Information**, then click ▶.

Check out our **Support Community** <http://community.insigniaproducts.com/> for helpful information from other Insignia TV owners.

WE'RE HERE FOR YOU
www.insigniaproducts.com
For customer service, call: **877-467-4289** (U.S./Canada)

INSIGNIA is a trademark of Best Buy and its affiliated companies.
Registered in some countries.
Distributed by Best Buy Purchasing, LLC
7601 Penn Ave South, Richfield, MN 55423 U.S.A.
©2014 Best Buy. All rights reserved.
Made in China

I already have a universal remote control. How do I make it control this TV?

If you already have a universal remote control that you would like to program to work with your TV and don't want to use the included Insignia remote control, see the table for common codes.

UNIVERSAL REMOTE TV CODES	
CABLE BOX, SATELLITE BOX, OR OTHER SET-TOP BOX	
Cablevision	068, 069, 078, 096, 100, 164, 168, 229, 026
Charter	2002, 1204, 1423, 1517, 0171, 1963, 0463, 1463, 0842, 1326, 167, 415, 424, 450, 456, 461, 507, 523, 567, 577, 586
Comcast	10171, 11204, 11326, 11463, 11517, 11641, 11780, 11785, 11892, 11963, 12002
Cox	1326, 1463
Direct TV	10171, 11204, 11326, 11517, 11564, 11641, 11963, 12002
Dish Network	720
Time Warner	400, 450, 461, 456, 10463, 1463, 0463
Tivo	0091
Verizon	0198, 0490
UNIVERSAL REMOTE CONTROLS	
One for All	0054
Philips	0198, 0490
RCA	135
Sony	068, 069, 078, 096, 100, 164, 168, 229, 026



For an up-to-date list of codes for other cable providers and universal remote brands, scan this QR code or visit www.insigniaproducts.com/remotecodes

Free Manuals Download Website

<http://myh66.com>

<http://usermanuals.us>

<http://www.somanuals.com>

<http://www.4manuals.cc>

<http://www.manual-lib.com>

<http://www.404manual.com>

<http://www.luxmanual.com>

<http://aubethermostatmanual.com>

Golf course search by state

<http://golfingnear.com>

Email search by domain

<http://emailbydomain.com>

Auto manuals search

<http://auto.somanuals.com>

TV manuals search

<http://tv.somanuals.com>