

INSIGNIA™

QUICK SETUP GUIDE

40" LED TV
NS-40D510NA15

Thank you
for purchasing this state-of-the-art Insignia television. We hope you enjoy the quality and reliability of this television for years to come.

Roku Ready®
Your TV is certified to work with the Roku Streaming Stick™. Instantly stream 1000+ entertainment channels, including Netflix, Hulu Plus, Pandora, and more. Connect the Streaming Stick (not included) to the purple MHL port on your TV and enjoy.



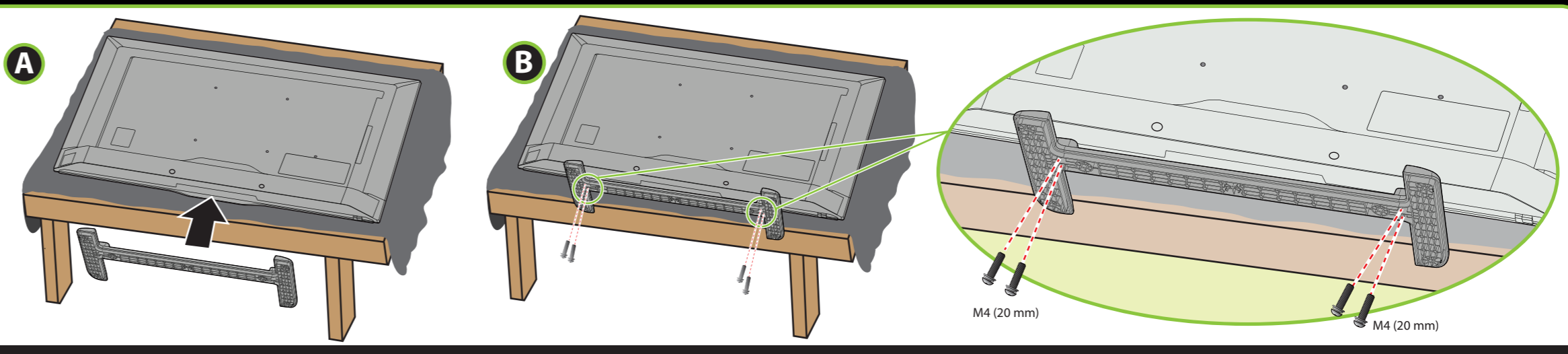
FIND YOUR USER GUIDE ONLINE!
We are going green so a copy of your User Guide is not provided in the box but is available online. Go to www.insigniaproducts.com, then click **Support & Service**. Enter your model number in the box under **Manual, Firmware, Drivers & Product Information**, then click ▶.



1 START HERE

How do I attach the stand to my TV? (not for wall mounting)

- You'll need:** Phillips screwdriver and a soft surface to lay the TV on.
- A** Carefully place your TV face-down on a cushioned, clean surface to protect the screen from damages and scratches.
 - B** Secure the TV stand to the TV with the four provided M4 × 20 mm screws.

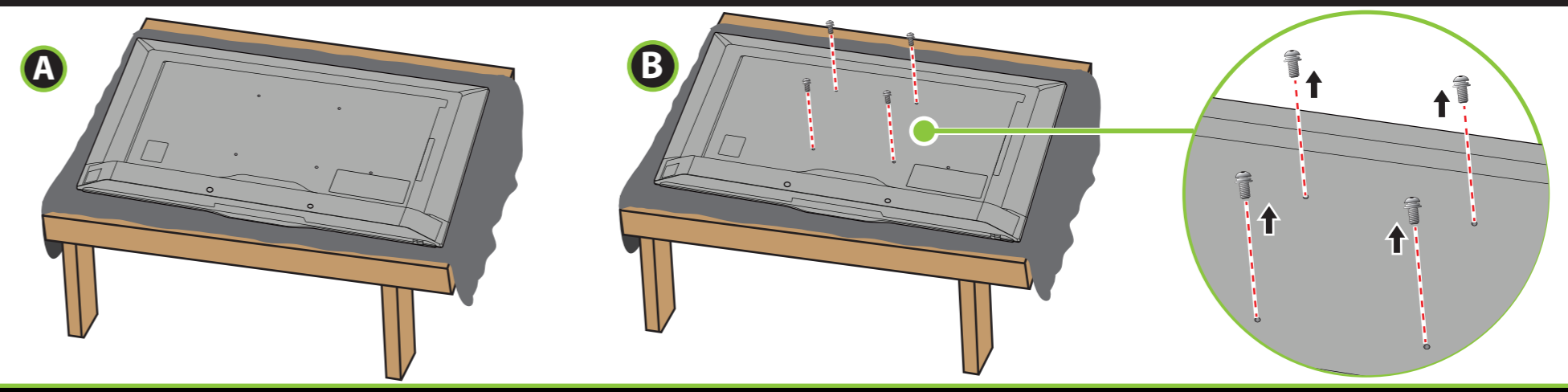


- OR -

How do I prepare my TV for wall mounting

(not for use with a TV stand)

- A** Carefully place your TV face-down on a cushioned, clean surface to protect the screen from damages and scratches.
- B** Remove the wall-mount screws from the back of your TV, then attach the wall-mount bracket using the screws you removed or the screws that came with the wall-mount bracket. See instructions that came with the wall-mount bracket for information about which screws to use and how to correctly hang your TV.



STOP!
Do not plug your power cord in until all other devices have been connected.

Included accessories

- Power cord
- Remote control and two AAA batteries
- TV stand
- TV stand screws M4 (20 mm length) (4 pcs.)

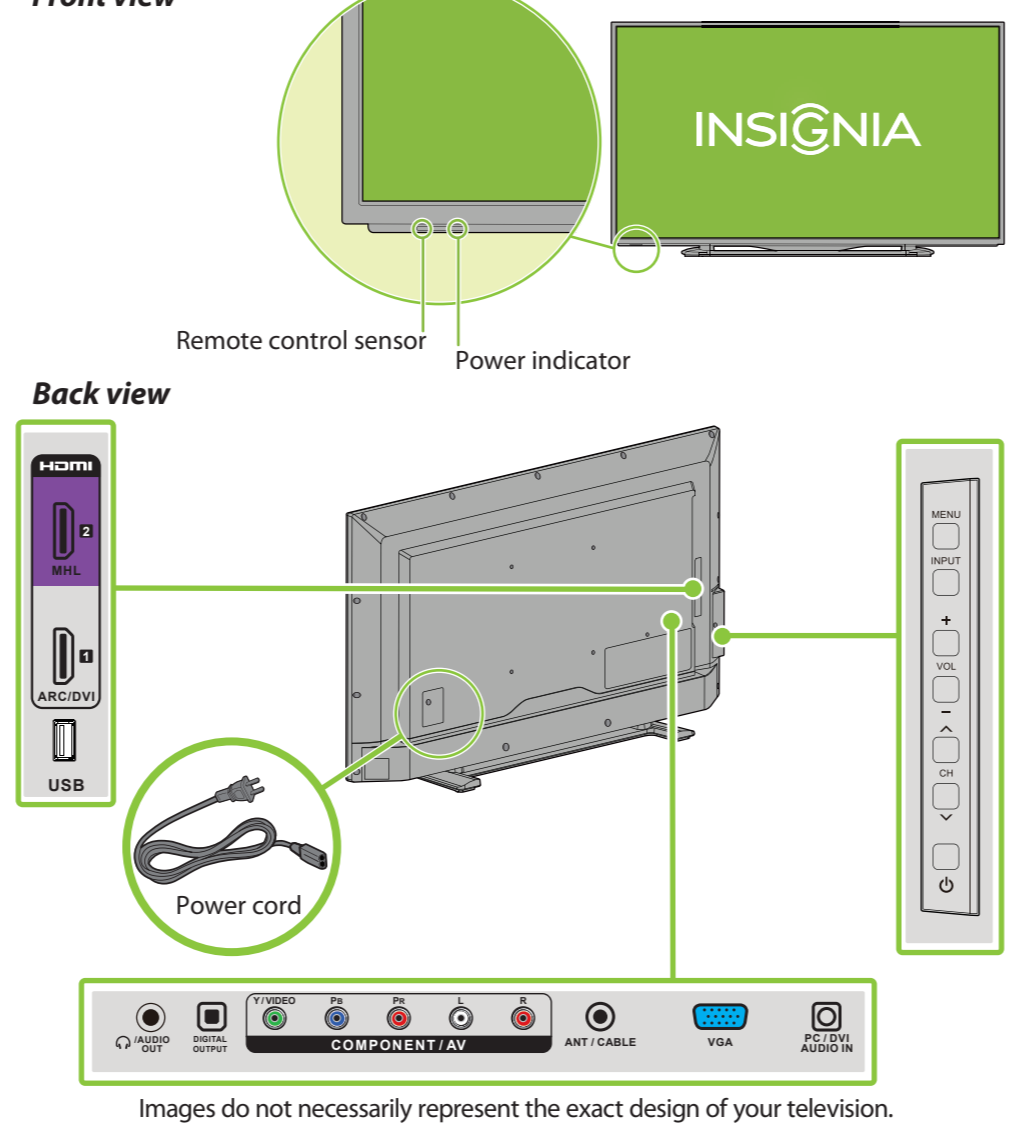
Which cables do you have?

Your TV has several different jacks for connecting devices. For the best video quality, use the best available connection. Use the cables that came with your devices.

VIDEO QUALITY	JACK TYPE	CABLE CONNECTOR
BEST	HDMI video/audio	
BETTER	Component video and analog audio	
GOOD	Composite video and analog audio (AV)	
GOOD	Coaxial video/audio	

Note: You can also connect a DVI device to your TV. See your online User Guide for connection instructions.

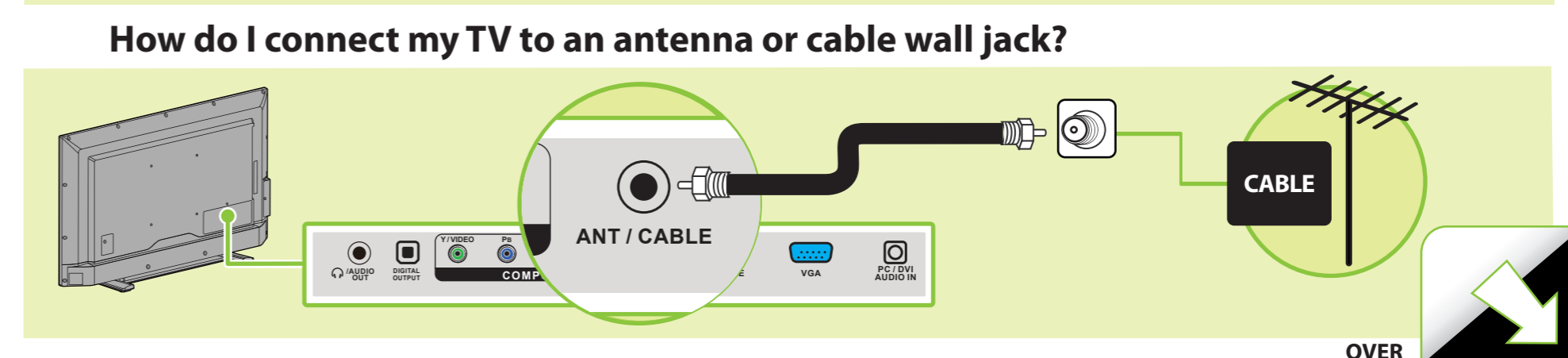
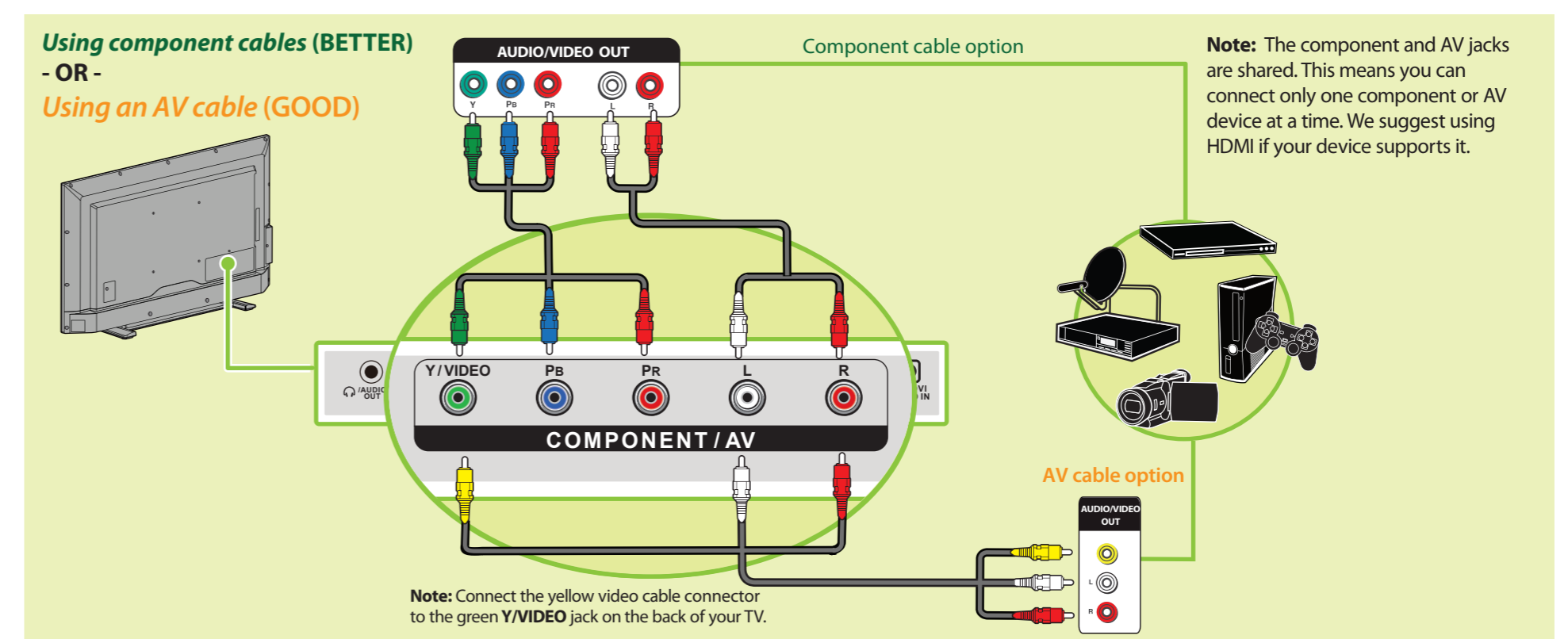
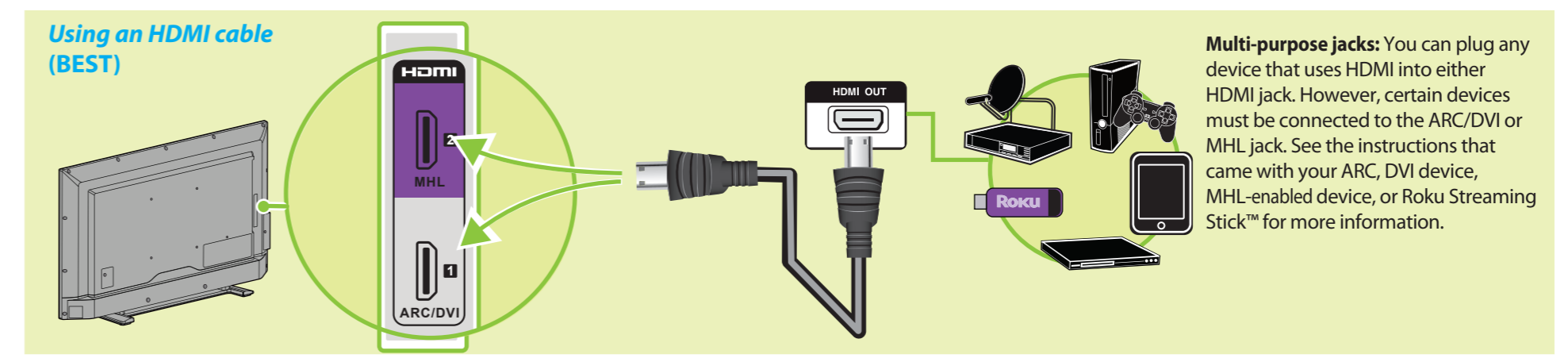
Features



Images do not necessarily represent the exact design of your television.

2 MAKING CONNECTIONS

How do I watch TV (cable or satellite receiver) or connect a device such as a DVD or Blu-ray Disc player, game console, Roku Streaming Stick™, or MHL-enabled device?



Before using your new product, please read these instructions to prevent any damage.

40" LED TV | QUICK SETUP GUIDE | NS-40D510NA15



3 CONNECTING AUDIO DEVICES

How do I connect my TV to external speakers?

Using digital audio

Using analog audio

Note: Refer to the instructions that came with your speakers for more information.

On your TV, set the **Digital Audio/SPDIF** option on the **AUDIO** menu to **PCM**.

- OR -

Note: Refer to the instructions that came with your speakers for more information.

Using your remote control

Roku Ready® means you can use your Insignia remote to control the Streaming Stick without having to pick up a different remote control.

INPUT SOURCE

- TV
- HDMI 1
- HDMI 2
- Component / AV
- VGA
- USB (Photos)

Power Turns your TV on or off.

INPUT Opens the **INPUT SOURCE** list.

Numbers Enter channel numbers.

ENTER Confirms selections or changes.

MENU Opens the on-screen menu.

EXIT TV: Closes the on-screen menu. Roku: Closes the menu or videos.

ASPECT Changes how the picture is displayed on the screen.

Volume Changes the volume.

SLEEP Sets the sleep timer.

FAVORITE Opens the Favorite Channel List.

Media controls INlink: Control HDMI-CEC devices connected to your TV. USB: Control the photo slideshow. Roku: Control a movie or show that is playing.

Recall Returns to the previous channel.

Arrows TV: Navigate in on-screen menus. Roku: Navigate in Roku screens.

Home Opens the MHL device's home menu when a MHL device is plugged in. Roku: Switches to a connected Roku Streaming Stick.

INFO* TV: Opens a TV status banner. Roku: Accesses special Roku options when a Roku Streaming Stick is plugged in.

CCD Turns closed captioning on or off.

MUTE Mutes the sound.

Channel Changes the TV channels.

MTS/SAP Analog TV - Cycles through mono, stereo, and secondary audio for analog programs. Digital TV - Selects the audio language from current channel.

PICTURE Selects the video mode.

AUDIO Selects the audio mode.

What are my screen-size options?

- NORMAL:** Original aspect ratio is preserved. Black bars are present if content is not widescreen (16:9).
- ZOOM:** Expands the image to fill the screen. The top and bottom of the image may be cropped.
- WIDE:** Displays content recorded in a 16:9 (wide-screen) aspect ratio.
- CINEMA:** Stretches the image at the edges, but keeps a clear image in the center.
- AUTO:** Automatically adjusts the image based on the screen size and the TV program. Select this option if you are uncertain which aspect ratio to choose. **Note:** Auto is only available when Auto Zoom in the CHANNELS menu menu is set to On.

4 TURNING ON MY TV

When can I turn on my TV?

The best time to turn on your TV is after you have attached the TV stand or wall-mounted your TV and connected all devices.

When your television is in place:

- Plug the AC power cord into the **AC IN** connector on the back of your TV.
- Plug the other end of the cord into a power outlet.
- Install the remote control batteries. Remove the remote control cover and install the batteries, matching the + and - symbols.
- Press **Power** on your remote control.
- Follow the on-screen instructions.

I already have a universal remote control. How do I make it control this TV?

If you already have a universal remote control that you would like to program to work with your TV and don't want to use the included Insignia remote control, see the table for common codes.

UNIVERSAL REMOTE TV CODES	
CABLE BOX, SATELLITE BOX, OR OTHER SET-TOP BOX	
Cablevision	068, 069, 078, 096, 100, 164, 168, 229, 026
Charter	2002, 1204, 1423, 1517, 0171, 1963, 0463, 1463, 0842, 1326, 167, 415, 424, 450, 456, 461, 507, 523, 567, 577, 586
Comcast	10171, 11204, 11326, 11463, 11517, 11641, 11780, 11785, 11892, 11963, 12002
Cox	1326, 1463
Direct TV	10171, 11204, 11326, 11517, 11564, 11641, 11963, 12002
Dish Network	720
Time Warner	400, 450, 461, 456, 10463, 1463, 0463
Tivo	0091
Verizon	0198, 0490
UNIVERSAL REMOTE CONTROLS	
One for All	0054
Philips	0198, 0490
RCA	135
Sony	068, 069, 078, 096



For an up-to-date list of codes for other cable providers and universal remote brands, scan this **QR code** or visit www.insigniaproducts.com/remotecodes

One-year limited warranty
Visit www.insigniaproducts.com for details.

Need additional help?
See your online *User Guide!* This comprehensive guide includes everything from basic how-to steps to more advanced features. A copy of your *User Guide* is not provided in the box but is available online. Go to www.insigniaproducts.com, then click **Support & Service**. Enter your model number in the box under **Manual, Firmware, Drivers & Product Information**, then click ▶.

Check out our **Support Community** <http://community.insigniaproducts.com/> for helpful information from other Insignia TV owners.

We're here for you
www.insigniaproducts.com
For customer service, call:
877-467-4289 (U.S./Canada)

INSIGNIA is a registered trademark of BBY Solutions, Inc. Registered in some countries. Distributed by Best Buy Purchasing, LLC, 7601 Penn Ave South, Richfield, MN 55423 U.S.A.

©2014 BBY Solutions, Inc. All Rights Reserved
1-877-467-4289
www.insigniaproducts.com

Free Manuals Download Website

<http://myh66.com>

<http://usermanuals.us>

<http://www.somanuals.com>

<http://www.4manuals.cc>

<http://www.manual-lib.com>

<http://www.404manual.com>

<http://www.luxmanual.com>

<http://aubethermostatmanual.com>

Golf course search by state

<http://golfingnear.com>

Email search by domain

<http://emailbydomain.com>

Auto manuals search

<http://auto.somanuals.com>

TV manuals search

<http://tv.somanuals.com>