

Service Manual

AUTOMOTIVE ELECTRONICS



HONDA CQ-EH8160AK

AM/FM MPX ELECTRONIC TUNING
RADIO with Stereo Cassette Tape
Player and 6-Disc CD Changer

HONDA PART No. : 39100-S9A-A200

ID CORD : 1TN0

VEHICLE : CR-V

DESTINATION : North America

PRODUCED AFTER : Feb., 2002

Specification*

General

Power Supply	DC 12V (11V - 16V), Test Voltage 13.2V Negative Ground
Current Consumption	Less than 3.0A (at 0.5W)
Power Output	30W×4
Output Impedance	4Ω

AM Radio

Frequency Range	530 - 1,710kHz
Usable Sensitivity	24dB/μV (S/N 20dB)

FM Stereo Radio

Frequency Range	87.7 - 107.9MHz
Usable Sensitivity	6dB/μV (S/N 30dB)

Cassette Player

Reproduction System	4-Track, 2-Program Stereo
Tape Speed	4.76cm/sec.

Wow and Flutter	Less than 0.2% (WRMS)
Signal to Noise Ratio	More than 38dB (IHF-A)

IDC

Signal to Noise Ratio	More than 63dB (IHF-A)
Total Harmonic Distortion	Less than 0.4%
Channel Separation	More than 50dB (IHF-A)


Dimensions** (W×H×D) 180×102×170mm

Weight** 2.4kg

* Specifications and the design are subject to possible modification without notice due to improvements.

** Dimensions and Weight shown are approximate.

Dolby noise reduction manufactured under license from Dolby Laboratories Licensing Corporation.

"Dolby" and the double-D symbol  are trade marks of Dolby Laboratories Licensing Corporation.

CONTENTS

	Page		Page
1 FEATUERS	2	13 REPLACEMENT PARTS LIST	17
2 LASER PRODUCTS	2	14 EXPLODED VIEW (Unit)	23
3 REAR VIEW	2	15 CD CHANGER PARTS LIST	24
4 FRONT VIEW AND FUNCTIONS	3	16 EXPLODED VIEW (CD Deck-1)	27
5 WIRING CONNECTIONS	4	17 EXPLODED VIEW (CD Deck-2)	28
6 BLOCK DIAGRAM (Main, Display, Tape Block)	5	18 EXPLODED VIEW (CD Deck-3)	29
7 BLOCK DIAGRAM (CD Servo Block)	6	19 TAPE PLAYER PARTS	30
8 TERMINALS DESCRIPTION	7	20 EXPLODED VIEW (Tape Deck)	32
9 ALIGNMENT INSTRUCTIONS	10	21 WIRING DIAGRAM	33
10 ALIGNMENT POINTS	10	22 SCHEMATIC DIAGRAM (1)	40
11 CD DISC CENTERING ALIGNMENT	11	23 SCHEMATIC DIAGRAM (2)	41
12 PACKAGE AND IC BLOCK DIAGRAM	12		

1 FEATUERS

- PLL (Phase Locked Loop) synthesized tuning.
- 18-station preset (12-FM, 6-AM).
- Automatic preset setting.
- 6-Disc CD changer (in dash board).
- Dolby noise reduction.
- Adjustable VOL, BAS, TRE, FAD and BAL.

2 LASER PRODUCTS

Do not take apart this unit or attempt to make any changes yourself.

This unit is very intricate that uses a laser pickup to retrieve information from the surface of compact discs. The laser is carefully shielded so that its rays remain inside the cabinet. Therefore, never try to disassemble the player or alter any of its parts since you may be exposed to laser rays and dangerous voltages.

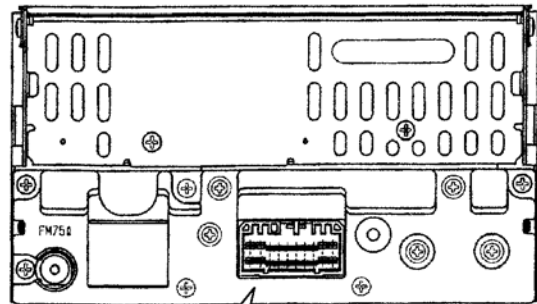
Laser products :

Wave length 780nm
 Laser power No hazardous radiation is emitted with safety protection.

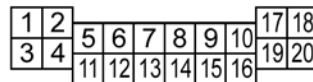
Caution

This product utilizes a laser. Use of controls or adjustments or performance of procedures other than those specified herein may result in hazardous radiation exposure.

3 REAR VIEW

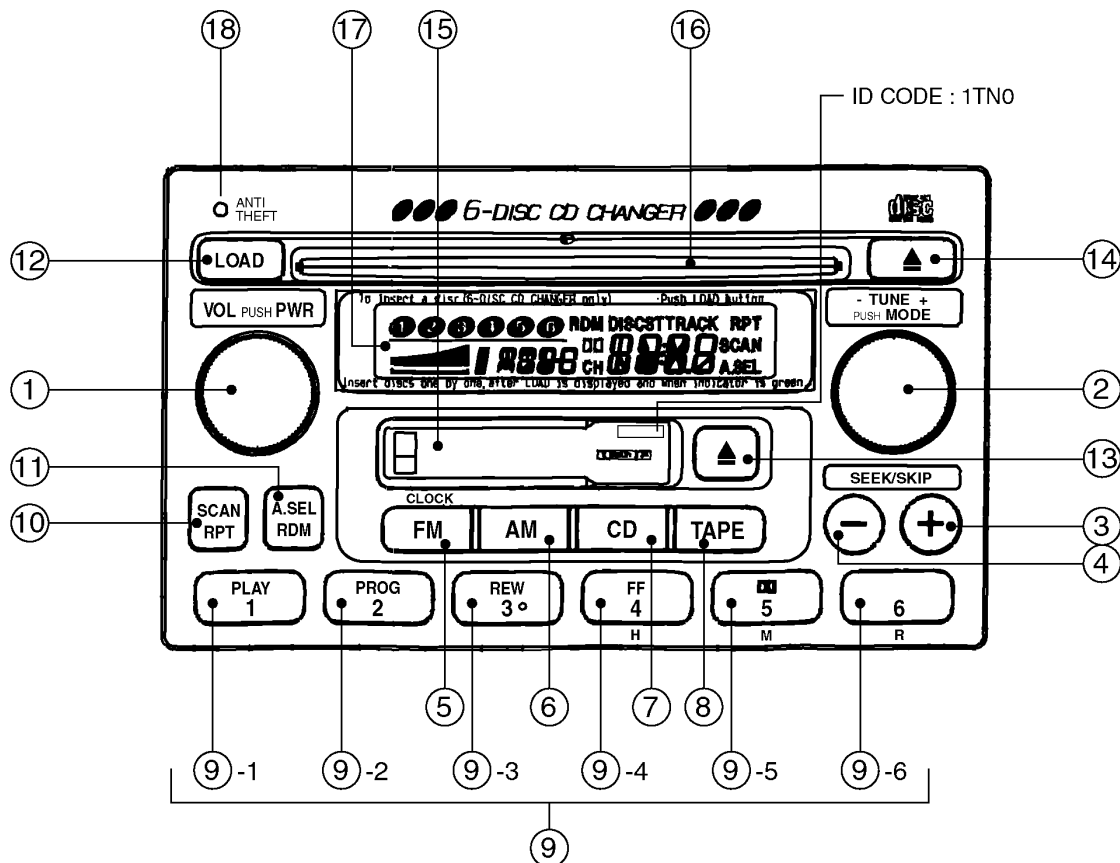


<CN701 20P CONNECTOR>



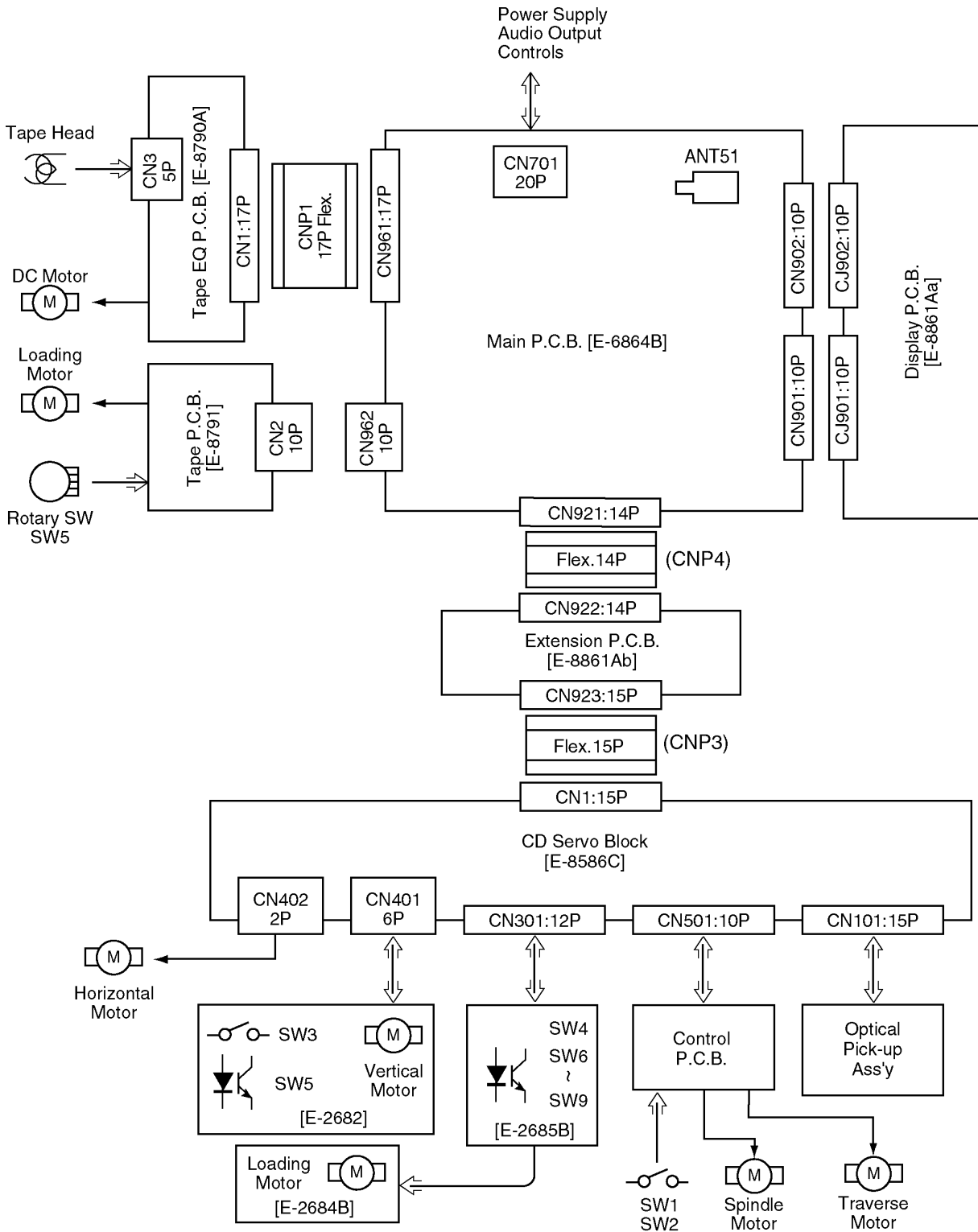
- | | |
|---------------------|---------------------|
| 1. SW+B | 11. No Connection |
| 2. ACC | 12. No Connection |
| 3. No Connection | 13. Speaker, RR (-) |
| 4. No Connection | 14. Speaker, RL (-) |
| 5. Remote | 15. Speaker, FR (-) |
| 6. SEC-IN | 16. Speaker, FL (-) |
| 7. Speaker, RR (+) | 17. Illumi. |
| 8. Speaker, RL (+) | 18. BATT. (+B) |
| 9. Speaker, FR (+) | 19. Illumi (-) |
| 10. Speaker, FL (+) | 20. Ground |

4 FRONT VIEW AND FUNCTIONS



- | | | | |
|-----------------|------------------------------------|----------|------------------------------------|
| ① PWR | : Power on/off. | ⑨-1 PLAY | : Tape play mode. |
| VOL | : Increase/Decrease of volume. | ⑨-2 PLOG | : Tape program change. |
| ② MODE | : Audio adjustment mode selection. | ⑨-3 REW | : Tape rewind. |
| TUNE | : Radio manual tuning. | ⑨-4 FF | : Tape fast forward. |
| ③ SEEK/SKIP (+) | : Radio seek/skip up tuning. | H | : Hour digits increment. |
| | : Tape APC (forward) operation. | ⑨-5 NR | : Tape dolby NR on/off. |
| | : CD disc fast forward. | M | : Minute digitsh increment. |
| ④ SEEK/SKIP (-) | : Radio seek/skip down tuning. | ⑨-6 R | : Minute and hour digits clearing. |
| | : Tape APC (Reverse) operation. | ⑩ SCAN | : Radio scan up tuning. |
| | : CD disc reverse. | RDM | : CD random play. |
| ⑤ FM | : FM radio mode selection. | ⑪ A.SEL | : Radio stations auto-preset. |
| CLOCK | : Clock adjustment mode. | RPT | : Tape/CD repeate play. |
| ⑥ AM | : AM radio mode selection. | ⑫ LOAD | : CD disc loading. |
| ⑦ CD | : CD mode selection. | ⑬ ▲ | : Tape eject. |
| ⑧ TAPE | : TAPE mode selection. | ⑭ ▲ | : CD disc eject. |
| ⑨ 1~6 | : Radio frequency preset/call. | ⑮ | Cassette slot. |
| | : CD changer disc selection. | ⑯ | CD slot. |
| | | ⑰ | LCD display. |
| | | ⑱ | Anti-theft indicator. |

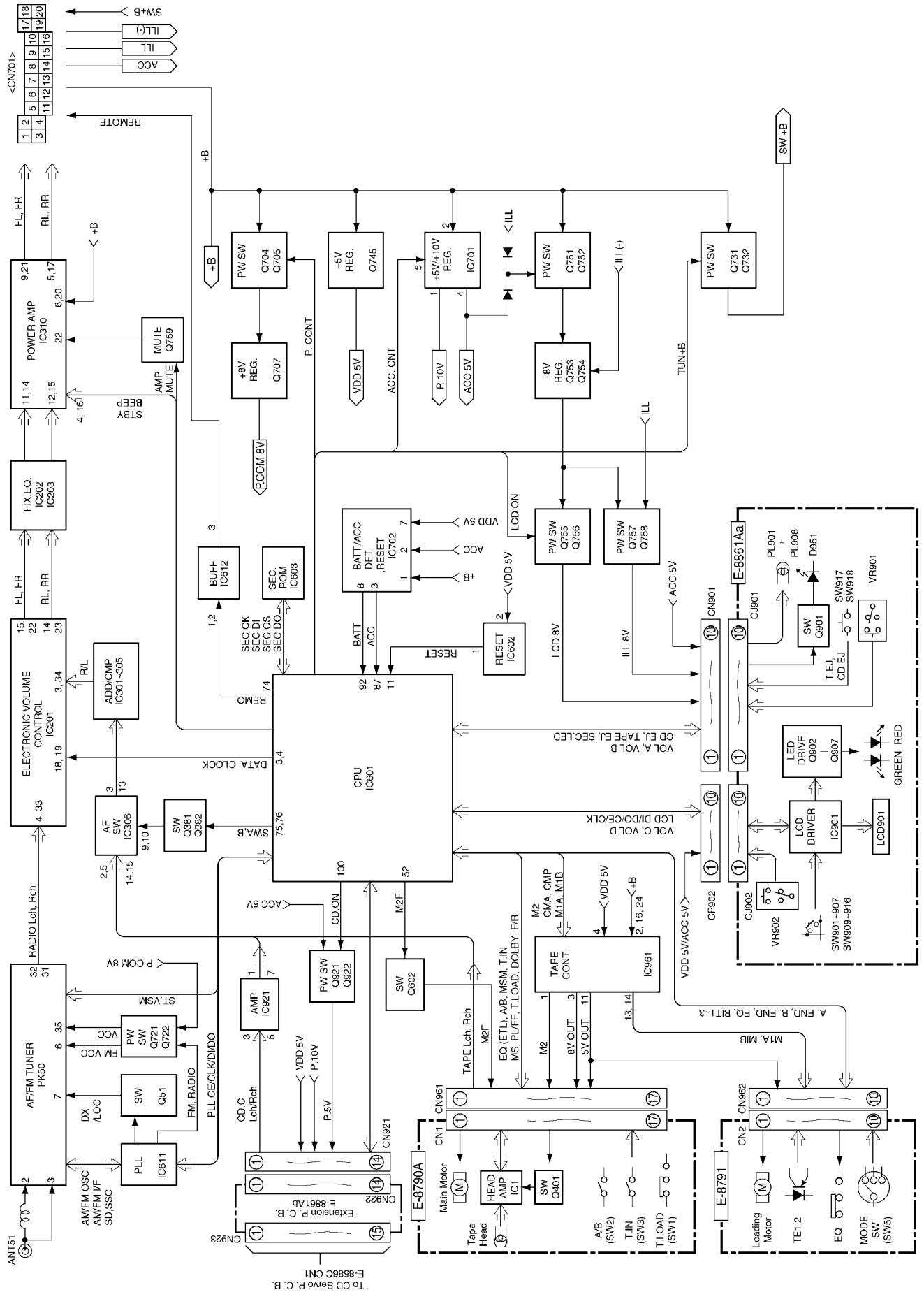
5 WIRING CONNECTIONS



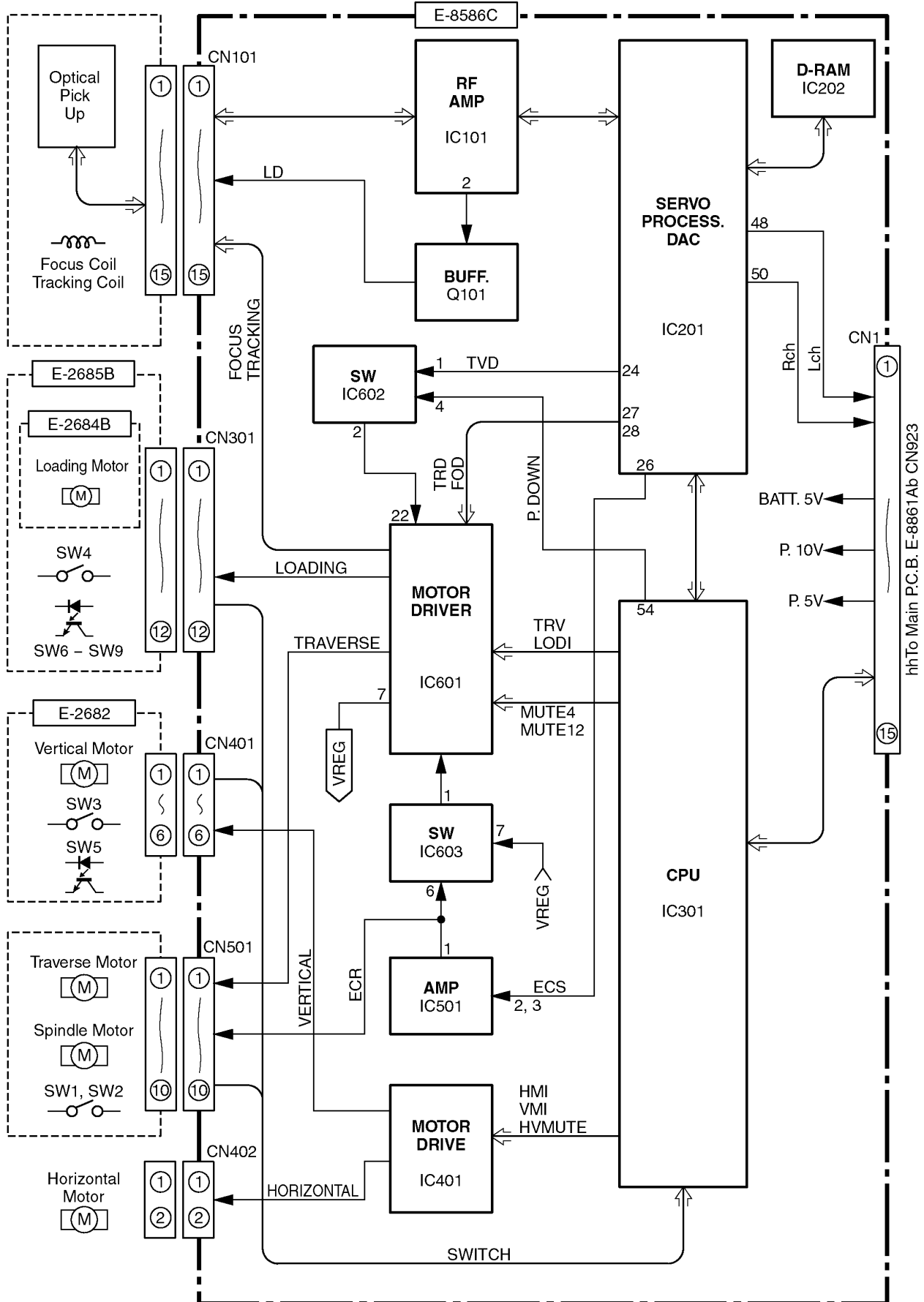
<Note> :

-This mark shows a Ref. No. of connector
-This mark shows a mounting position of connector.

6 BLOCK DIAGRAM (Main, Display, Tape Block)



7 BLOCK DIAGRAM (CD Servo Block)



8 TERMINALS DESCRIPTION

8.1. Main Block

IC601 : C2CBHG000077

Pin No.	Port	Description	I/O	(V)
1	BEEP	Beep output	O	0
2	IDC-ST/SP	CD.C start/stop	O	4.9
3	EVOL CLK	Electronic volume clock	O	0
4	EVOL DATA	Electronic volume data	O	0
5	SEC-LED	Security LED on/off	O	4.9
6	VOL A	Rotary encoder data	I	0.5
7	VOL B	Rotary encoder data	I	0.5
8	LCD-CLK	Shift clock for LCD data	O	0
9	LCD-DI	LCD data	O	5.0
10	LCD-DO	LCD data	I	0
11	RESET	Reset input	I	4.9
12	XT2	Crystal oscillator terminal	-	2.4
13	XT1	Crystal oscillator terminal	-	0.7
14	VSS	Ground	-	0
15	X2	Crystal oscillator terminal	-	2.3
16	X1	Crystal oscillator terminal	-	1.8
17	REGOFF	(Connecting to VDD)	-	4.9
18	REGC	(Connecting to VDD)	-	4.9
19	VDD	+5V power supply	-	4.9
20	VOL C	Rotary encoder data	I	4.8
21	VOL D	Rotary encoder data	I	0.5
22	LCD-CE	LCD driver enable	O	0
23	BOSE	(Connecting to ground)	-	0
24	SEC-CS	Security ROM chip select	O	0
25	SEC-CLK	Data shift clock for security ROM	O	0
26	SEC-DI	Security data	I	0
27	SEC-DO	Security data	O	0
28	SET-SEC1	(Ground pull-down)	-	0
29	SET-TIME2	(Vdd pull-up)	-	4.9
30	SET-TIME	(Vdd pull-up)	-	4.9
31	P.CONT	COM8V power switch	O	4.8
32	ACC CNT	ACC 5V power switch	O	4.9
33	STB	Power amp. Stand-by	O	4.9
34	LCD ON	LCD illumi. on/off	O	4.9
35	TUNER +B	Motor antenna power	O	4.9
36	PLL-CE	PLL chip select	O	0
37	PLL-DO	PLL data	O	0
38	PLL-CLK	Shift clock for PLL data	O	0
39	PLL-DI	PLL data	I	5.0
40	VSS	Ground	-	0
41	VDD	+5V power supply	-	4.9
42	AREA	(Ground pull-down)	-	0
43	ST-IND	FM stereo detection	I	0.3
44	CA.PON	Tape power control	O	4.9
45	CM.PON	Tape power control	O	4.9
46	M2	Main motor control	O	0
47	M1A	Loading motor control	O	0
48	M1B	Loading motor control	O	0
49	T.IN	Tape-in detection	I	0
50	MSM	MS gain contrl	O	4.9
51	A/B	Tape side detection	I	0
52	M2F	Main motor control	O	0
53	EQ(MTL)	Metal tape mode selection	O	4.9
54	F/R	Tape head change	O	0
55	DOLBY	Dolby NR on/off	O	4.9
56	T.LOAD	Tape loading detection	I	0
57	MS(PL/FF)	MS mode selection	O	0
58	MS	MS detection	I	0
59	REMO3/4	(Ground pull-down)	-	0
60	H.BUSOUT	Not used	-	-

61	NAVI-IN	(Vdd pull-up)	-	4.8
62	NC	No connection	-	-
63	NC	No connection	-	-
64	NAVI-MUTE	Not used	-	-
65	BIT1	Tape mode switch	I	4.6
66	END.A	Tape end signal	I	1.5
67	END.B	Tape end signal	I	2.4
68	BIT2	Tape mode switch	I	4.6
69	EQ	Metal/Normal switch	I	0
70	BIT3	Tape mode switch	I	0
71	NC	No connection	-	-
72	NC	No connection	-	-
73	IC/VPP	(Connecting to ground)	-	0
74	REMO	Remote control signal	O	5.0
75	SW.A	Audio signal switch	O	0
76	SW.B	Audio signal switch	O	0
77	MUTE	Not used	-	-
78	NC	No connection	-	-
79	NC	No connection	-	-
80	VSM	Phase diff. level detection	I	0.6
81	AMP MUTE	Power amp mute	O	0
82	AVDD	+5V power supply	-	4.9
83	AVREF1	Analog reference voltage	I	5.0
84	AVSS	Ground	-	0
85	NC	(Connecting to ground)	-	0
86	NC	No connection	-	-
87	ACC-DET	ACC level detection	I	4.5
88	TAPE EJ	Tape eject SW	I	4.6
89	H.BUS.IN	Not used	-	4.8
90	GAIN	(+5V pull-up)	-	4.8
91	IDCEJECT	CD disc eject SW	I	4.7
92	BAT-DET	Battery level detection	I	4.5
93	EJ.INH	Tape/Disc eject SW	I	4.4
94	IDC-SI	CD.C serial data	O	4.0
95	RXO	Not used	-	0
96	TXO	Not used	-	4.9
97	IDC-CLK	Shift clock for CD.C data	O	4.9
98	IDC-SO	CD.C data	O	1.2
99	CD-RESET	CD.C reset	O	4.9
100	CDON	CD.C controller enable	O	4.9

Note :

Voltage measurements are with respect to ground, with a voltmeter (Internal resistance : 10M ohms.)

8.2. Display Block

IC901 : YEAMLC75853

Pin No.	Port	Description	I/O	(V)
1, 2	S1, 2	Disc LED on/off	O	0
3	S3	Not used	-	-
4-40	S4-40	LCD segment data	O	2.5
41-43	COM1-3	LCD common	O	2.5
44	S41	LCD segment data	O	2.5
45-49	KS2-6	Key strobe	O	0.9
50-53	KI1-4	Key data	I	0
54	KI5	(Connecting to ground)	-	0
55	TEST	(Connecting to ground)	-	0
56	VDD	+5V power supply	-	5.1
57	VDD1	LCD angle	-	3.3
58	VDD2	LCD angle	-	1.7
59	VSS	Ground	-	0
60	OSC	Oscillator terminal	-	3.9

61	DO	Key data output	O	4.1
62	CE	LCD driver chip enable	I	0
63	CL	Shift clock for LCD data	I	0
64	DI	LCD data input	I	0

8.3. CD Servo Block

IC201 : MN662783RPW

Pin No.	Port	Description	I/O	(V)
1	VDD	+5V power supply	-	5.0
2	D0	D-RAM data	I/O	2.3
3	D1	D-RAM data	I/O	1.8
4	/WE	D-RAM data write	O	4.9
5	/RAS	D-RAM row address strobe	O	3.4
6	D2	D-RAM data	I/O	0.8
7	D3	D-RAM data	I/O	0
8	/CAS0	D-RAM column address strobe	O	3.9
9	/CAS1	D-RAM column address strobe	O	0
10	A8	D-RAM address	O	0.6
11	A7	D-RAM address	O	1.1
12	A6	D-RAM address	O	0.7
13	A5	D-RAM address	O	0
14	A4	D-RAM address	O	1.1
15	A9	D-RAM address	O	0.4
16	A0	D-RAM address	O	1.0
17	A1	D-RAM address	O	1.0
18	A2	D-RAM address	O	1.0
19	A3	D-RAM address	O	0
20	VSS2	Ground	-	0
21	VDD2	+5V power supply	-	5.0
22,23	-	Not used	-	-
24	TVD	Traverse motor control	O	2.5
25	PC	Not used	-	-
26	ECS	Spindle motor control	O	2.4
27	TRD	Tracking coil drive	O	2.5
28	FOD	Focus coil drive	O	2.4
29	FBAL	Focus balance	O	1.9
30	TBAL	Tracking balance	O	3.0
31	VREF	Reference voltage	I	2.5
32	FE	Focus error	I	2.5
33	TE	Tracking error	I	2.5
34	RFENV	RF envelope	I	2.5
35	OFT	Off track signal	I	0
36	/RFDET	RF detecting signal	I	0
37	BDO	Drop-out signal	I	0
38	LDON	Laser on signal	O	4.5
39	ARF	RF signal	I	2.5
40	IREF	Reference current input	I	1.2
41	DRF	Biase for DSL	I	2.4
42	DSLFL	Loop filter for DSL	I/O	2.5
43	SDLF2	Loop filter for DSL	I/O	2.2
44	PLLF	Loop filter for PLL	I/O	1.4
45	VCOF	Not used	-	-
46	AVDD2	+5V power supply	-	5.0
47	AVSS2	Ground	-	0
48	OUTL	L channel output	O	2.3
49	AVSS1	Ground	-	0
50	OUTR	R channel output	O	2.3
51	AVDD1	+5V power supply	-	4.7
52-54	-	(Connecting to ground)	-	0
55	FLAG	Flag output	O	0
56	FCLK	Frame clock	O	0
57-59	-	Not used	-	-
60	TX	Not used	-	-
61	MCLK	Clock for I/F command	I	1.0

62	MDATA	Data for I/F command	I	3.1
63	MLD	I/F command load	I	5.0
64	BLKCK	Subcode block clock	O	0
65	SQCK	Ext. clock for sub code-Q	I	5.0
66	SUBQ	Code for sub. code-Q	O	3.8
67	DMUTE	Mute input	I	0
68	STAT	Status signal	O	5.0
69	/RST	Reset input	I	5.0
70	CSEL	(Connecting to ground)	-	0
71	PMCK	PM clock	O	2.5
72	SMCK	SM clock	O	2.5
73	SUBC	Serial data of sub code	O	0
74	SBCK	Shift clock for SUBC	I	0.6
75	/CLDCK	Not used	-	-
76	/TEST	(Connecting to VDD)	-	5.0
77	X1	Crystal oscillator	-	0.4
78	X2	Crystal oscillator	-	3.2
79	VDD1	+5V power supply	-	5.0
80	VSS1	Ground	-	0

IC301 : MN1873260AB4

Pin No.	Port	Description	I/O	(V)
1	VDD	+5V power supply	-	5.0
2	OSC2	Crystal oscillator	-	2.2
3	OSC1	Crystal oscillator	-	2.1
4	VSS	Ground	-	0
5	XI	(Connecting to ground)	-	0
6	XO	Not used	-	-
7	CM	(Connecting to ground)	-	0
8	VREFH	Reference voltage	I	5.0
9	SW13	Shuter SW	I	4.9
10	SW12	Horizontal origin	I	4.9
11	SW11	Clump SW	I	0
12	SW10	Play SW	I	0
13	SW4	Shuter SW	I	4.9
14	SW3	Tray origin SW	I	0
15	SW2	Inner SW	I	4.8
16	SW1	Outer SW	I	4.9
17	VREFL	Reference voltage	I	0
18	/RESET	Reset input	I	4.9
19	-	(Ground pull-down)	-	0
20	SCKM	Clock for serial data	I	5.0
21	SIM	CD changer serial data	I	1.3
22	SOM	CD changer serial data	O	4.3
23	SQCK	Ext. clock for sub. code-Q	O	5.0
24	SUBQ	Code for sub. code-Q	I	1.6
25	-	Not used	-	5.0
26	-	(Ground pull-down)	-	0
27	CD.ON	CD changer start/stop	I	5.0
28	-	Not used	-	5.0
29	BLKCK	Sub. code block clock	I	0
30	P.ON	Not used	-	5.0
31	MUTE	Mute output	O	5.0
32	-	(Ground pull-down)	-	0
33	SENS	Servo status	O	0
34	CLVS	Servo status	O	5.0
35	FLOCK	Focus servo lock	O	0.2
36	TLOCK	Tracking servo lock	O	0
37	VMI	Horizontal motor control	O	2.5
38	HMI	Vertical motor control	O	0
39	HVMUTE	H/V motor mute	O	0
40-42	-	(Ground pull-down)	-	0
43	SW9	Disc-in (B) SW	I	0
44	SW8	Disc-in (L) SW	I	0
45	SW7	Disc-in (F) SW	I	0
46	SW6	Disc push SW	I	0

47	SW5	Tray hight SW	I	4.5
48	BDO	Drop-out signal	I	0
49	DQSY	Not used	-	-
50	/RST	Reset output	O	5.0
51	STAT	Status signal	I	2.1
52	DMUTE	Mute output	O	0
53	XE	Not used	-	-
54	P.DOWN	Power down signal	O	0
55	-	No connection	-	-
56	MLD	I/F command load	O	5.0
57	MDATA	Data for I/F command	O	3.1
58	MCLK	Clock for I/F command	O	4.1
59	SPMT	Spindle mute	O	5.0
60	MUTE12	Focus/Tracking mute	O	0
61	MUTE4	Loading motor mute	O	4.8
62	LDOI	Loading motor control	I/O	2.5
63	TRV	Forced traverse control	I/O	2.4
64	SYNC	Not used	-	-

9 ALIGNMENT INSTRUCTIONS

9.1. Alignment Conditions

- Power Supply Voltage : DC13.2V
- Output Impedance : 4Ω
- Output Power : 0.5W
- Balance, Fader Control : center
- Bass, Treble Control : Center
- Dolby NR: OFF

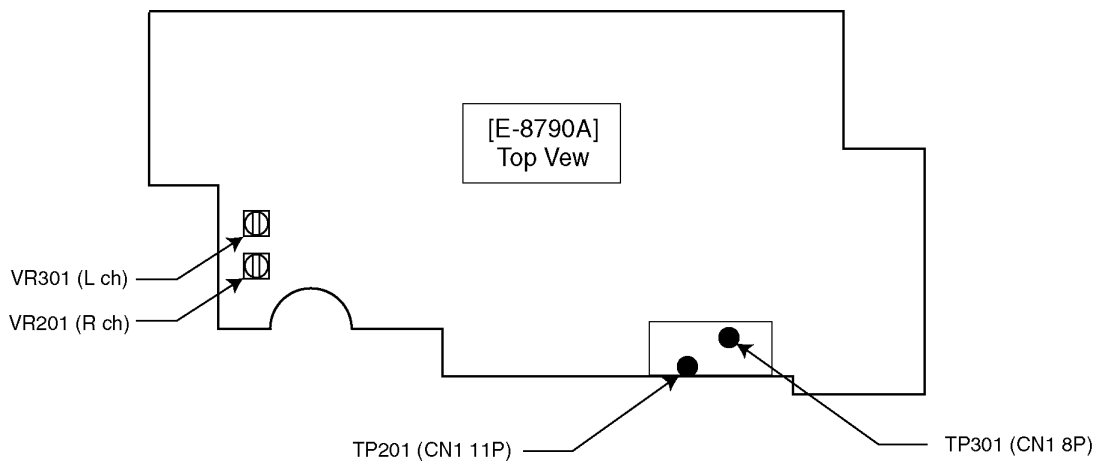
Note :

Do not align the FM/AM package block. When the package block is necessary, it will be supplied already aligned at the factory.

9.2. Dolby NR Alignment

Step	Alignment Item	Test Tape	VTVM Connection	Adjust	Remarks
(1)	DOLBY NR Rch	RFKZ0038	TP201	VR201	Adjust for 388mV ±1.0dB
(2)	DOLBY NR Lch	RFKZ0038	TP301	VR301	Adjust for 388mV ±1.0dB

10 ALIGNMENT POINTS



11 CD DISC CENTERING ALIGNMENT

- This adjustment is for assuring that compact discs will be placed in the center of the turntable.

<Adjustment Condition / Jig>

- Power Supply Voltage : 13.2V
- Test Disc : TCD-792A

<Adjustment Procedures>

1. Attach the adjusting screw to the upper chassis (See Figure 1.).
2. Insert the test CD (TCD-792A) into the disc No.1 position and play it.
3. After checking whether the disc is centered on the turntable, turn the adjusting screw unit it is in the center.

<Check Items>

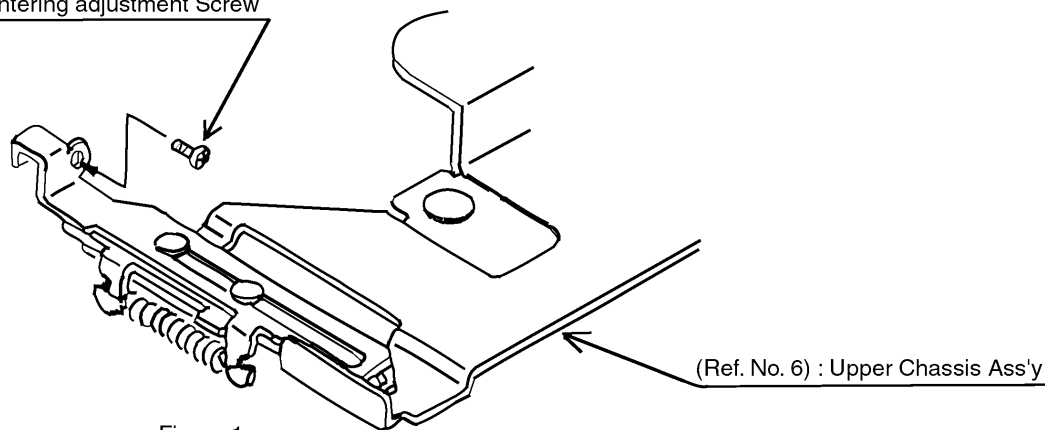
- Check that the disc is correctly centered.
- Check that the disc is securely clamped.
- Check that no abnormal noise is produced when clamping the disc.

[Directions of Turning the Adjusting Screw]

- CD stops before its proper position : Turn the screw counterclockwise.
- CD overruns : Turn the screw clockwise.

4. After the adjustment, lock the screw.

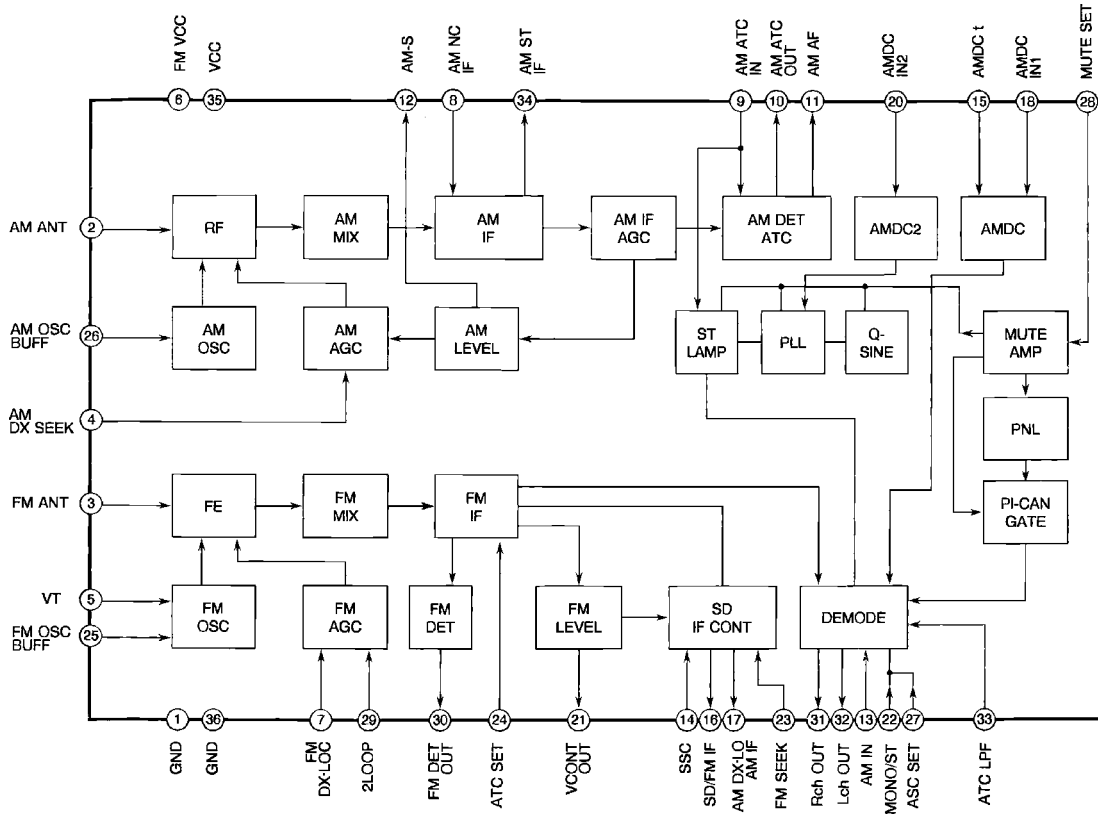
(Ref. No.173) : Centering adjustment Screw



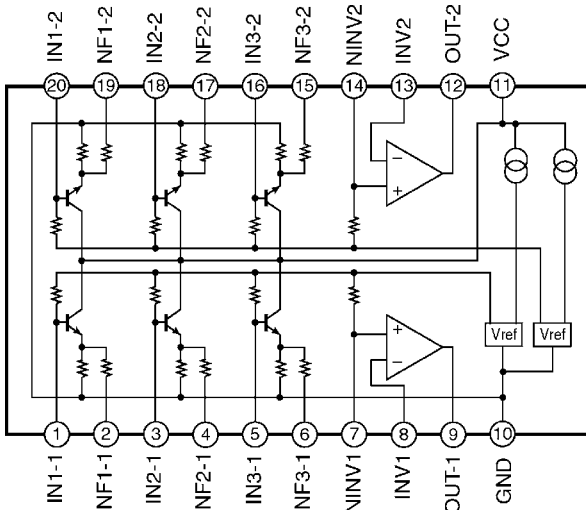
<Figure 1>

12 PACKAGE AND IC BLOCK DIAGRAM

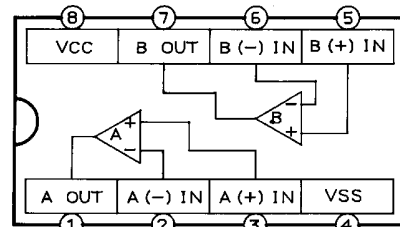
12.1. Main Block



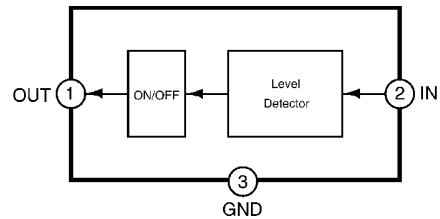
PK50 : YEP0PTA514B0



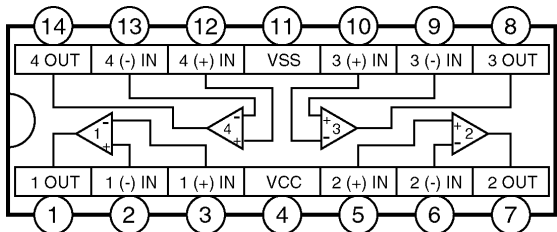
IC202,203 : YEAMM5243FT1



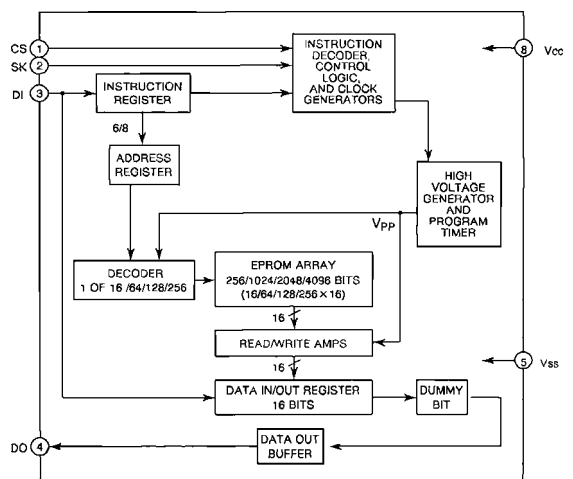
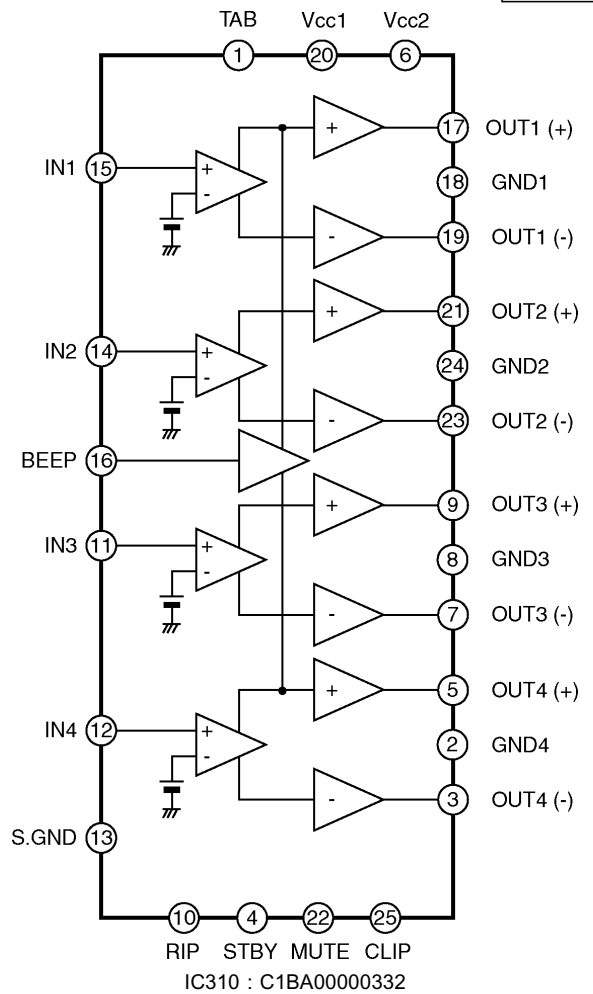
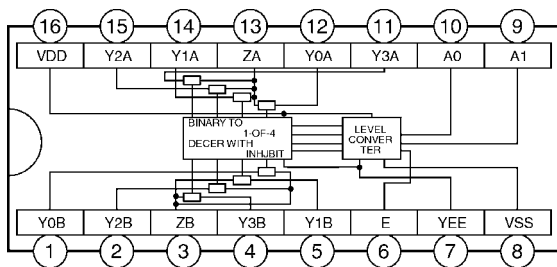
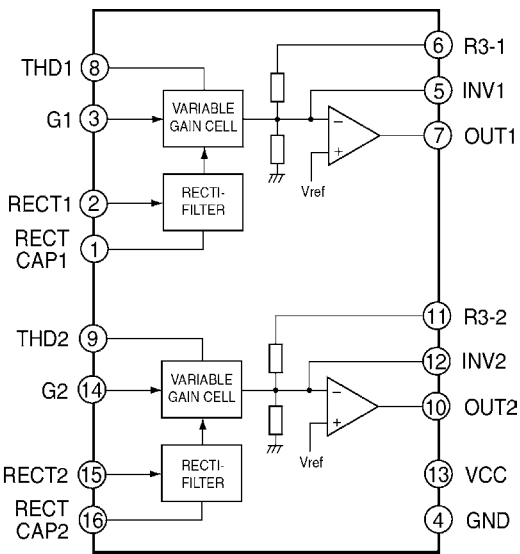
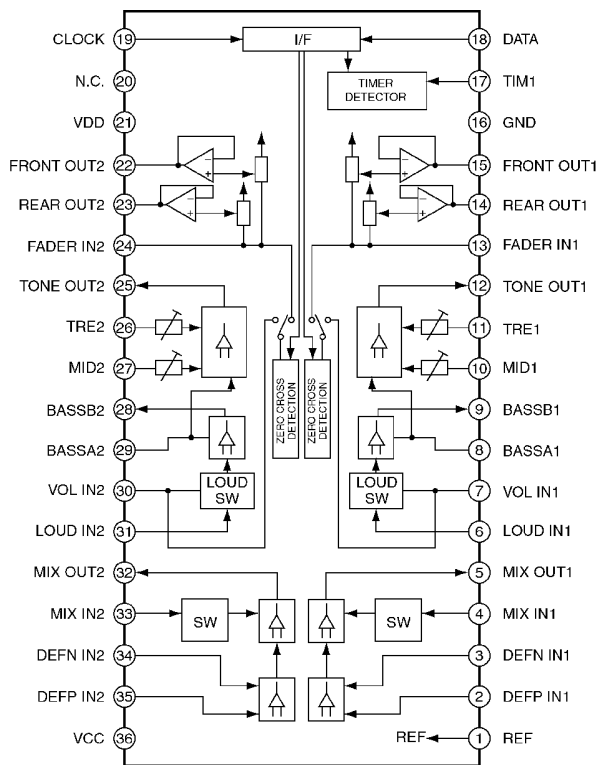
IC305,612,921 : C0ABBB000179

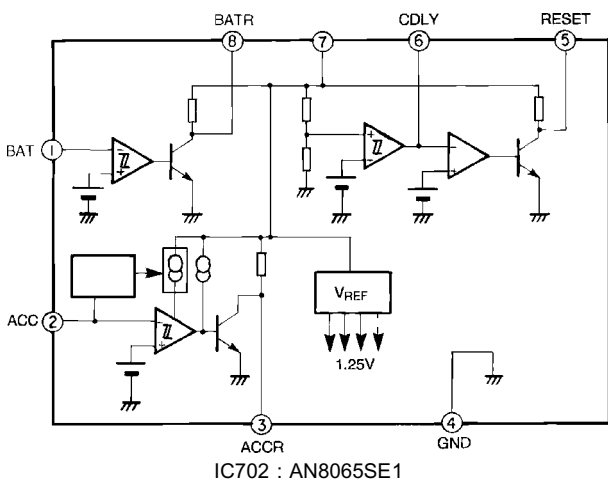
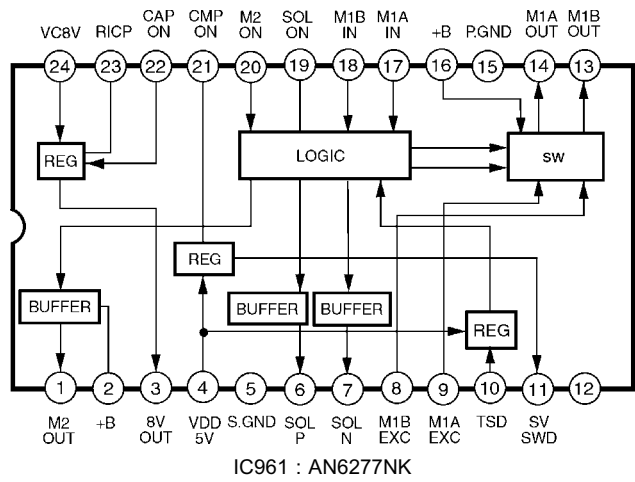
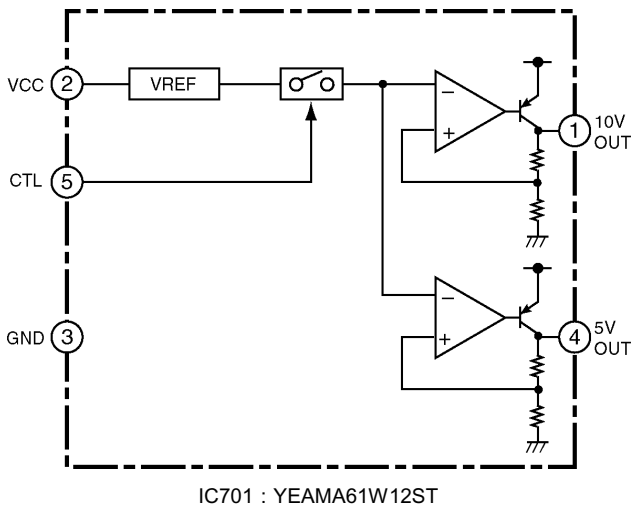
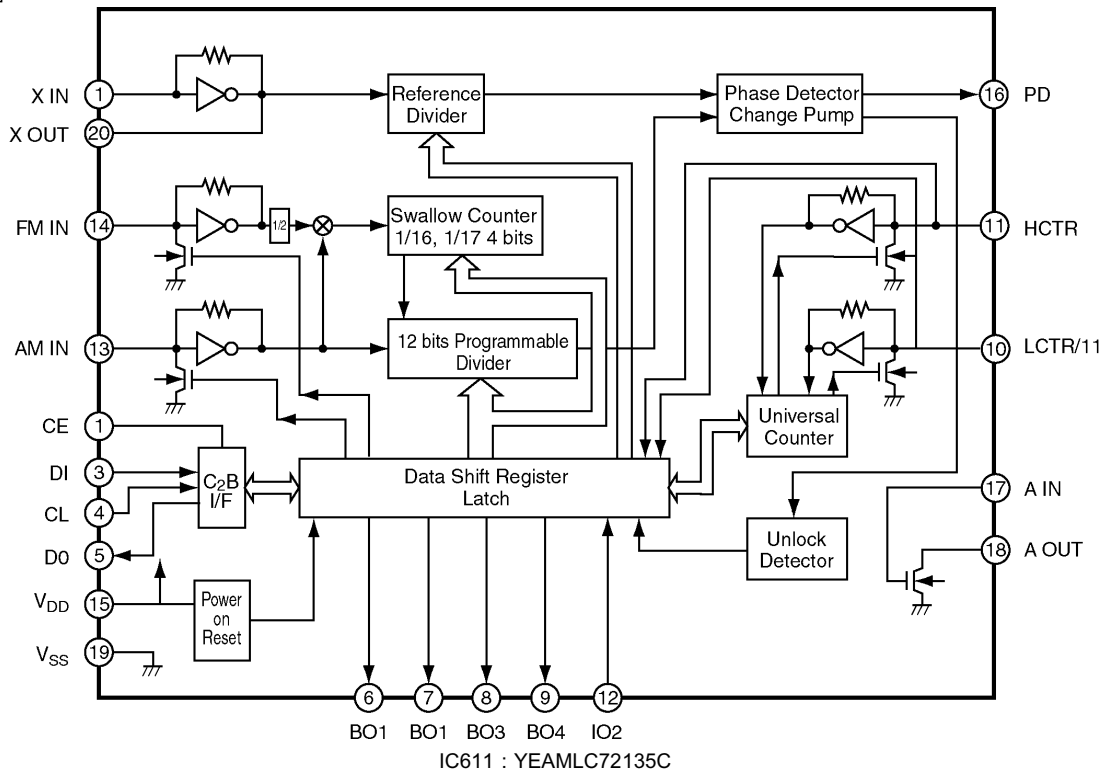


IC602 : MN1382KTX

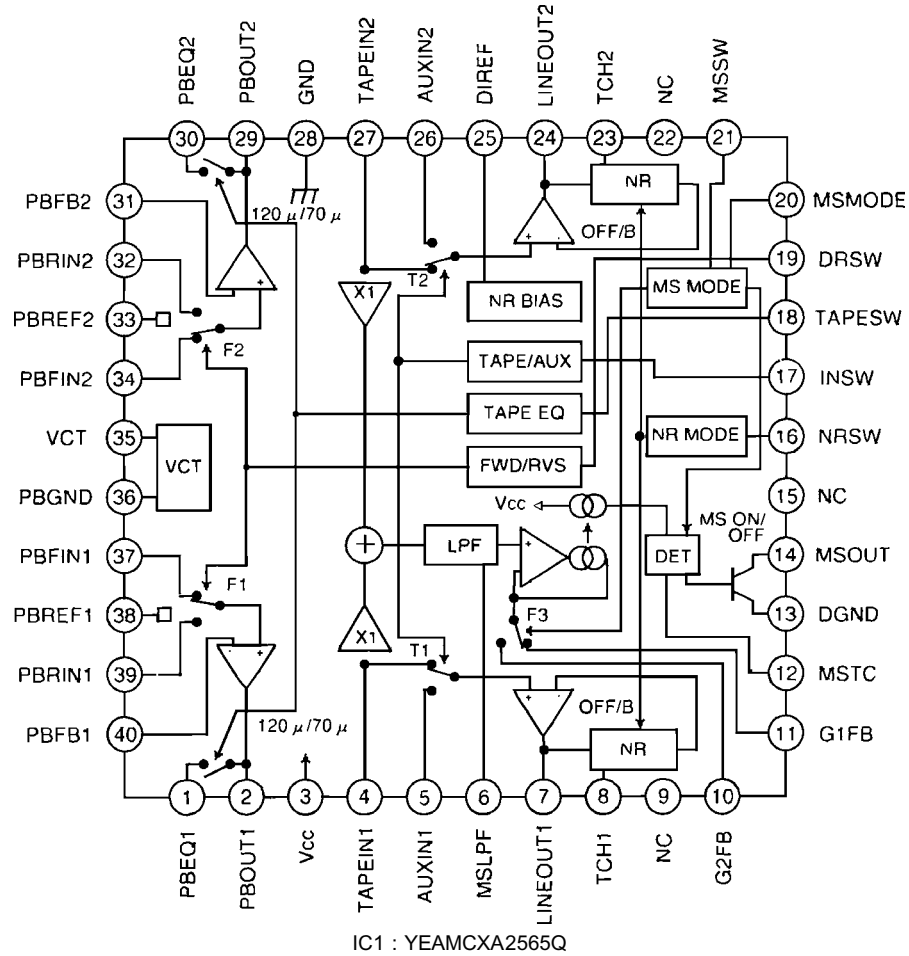


IC301,304 : C0ABCB000038

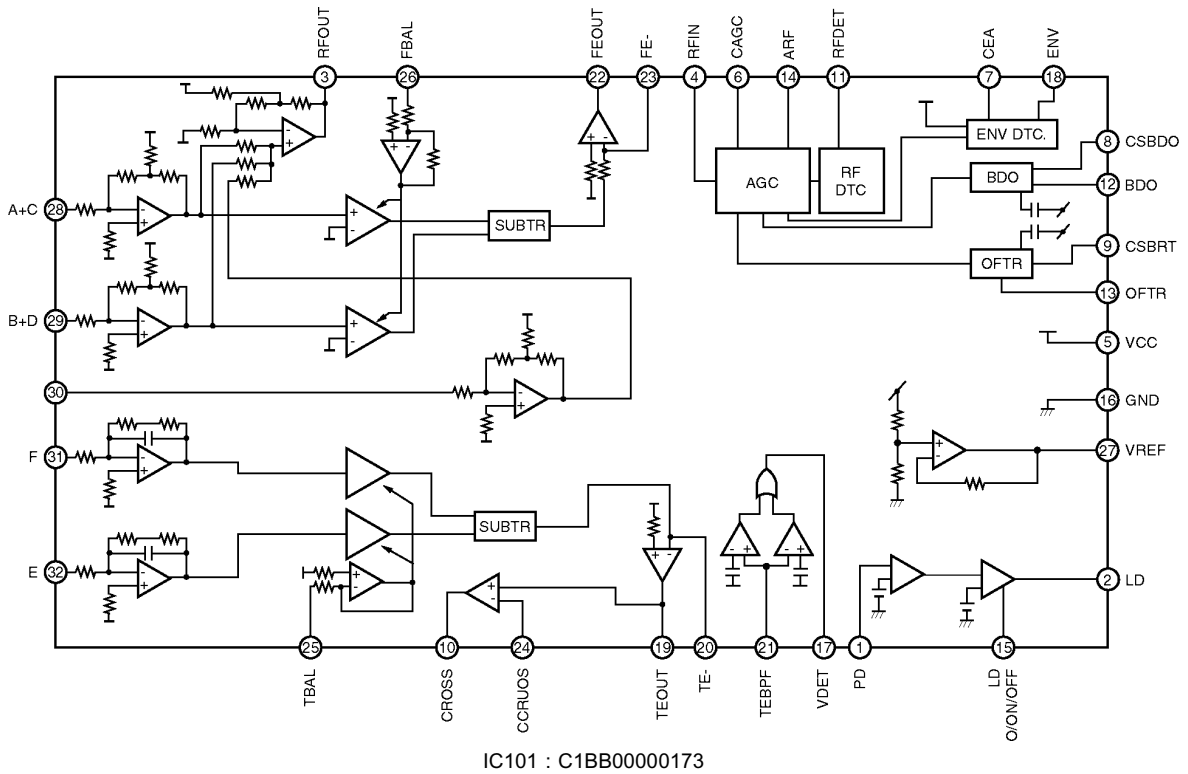


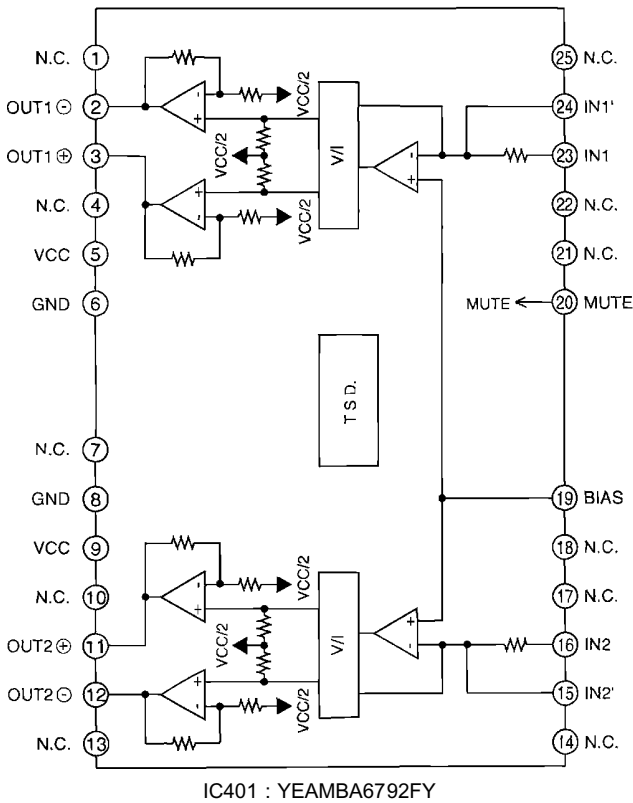
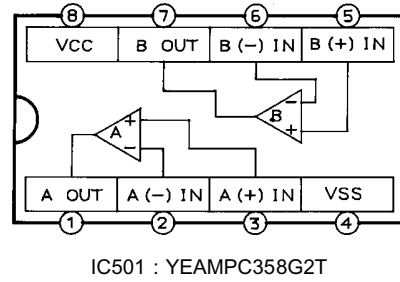
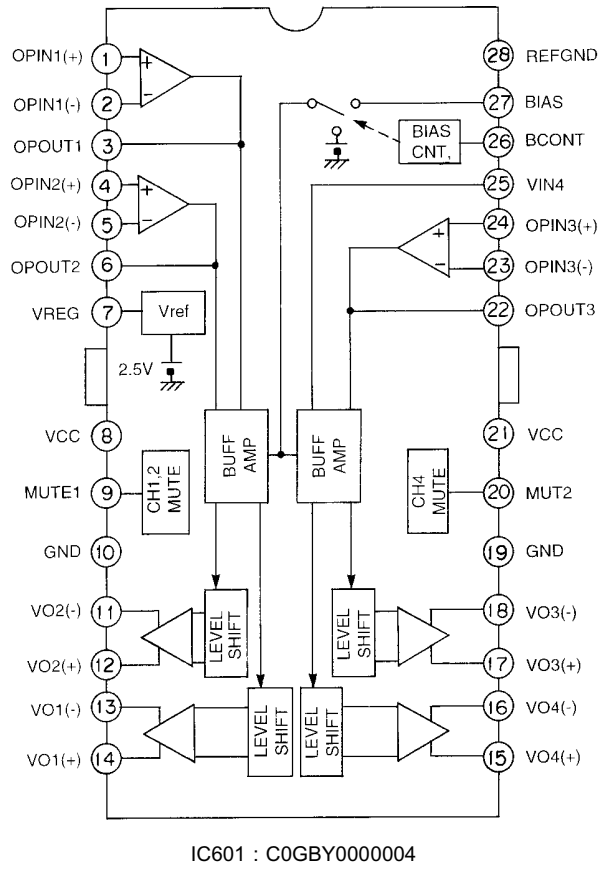
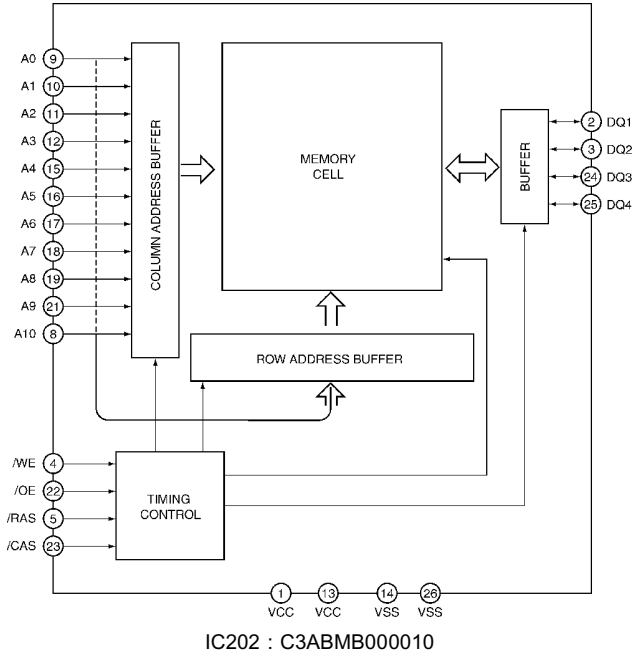
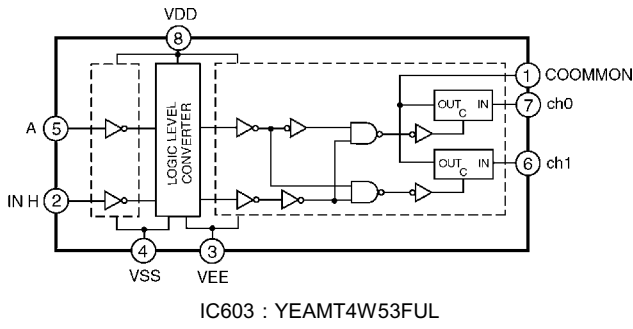


12.2. Tape Block



12.3. CD Servo Block





13 REPLACEMENT PARTS LIST

Notes :

1. Be sure to make your orders of replacement parts according to this list.
2. Important safety notice: Components, identified by Δ mark have special characteristics important for safety. When replacing any of these components, use only manufacturer's specified parts.
3. Location keys in the remarks column indicates the general location of the parts shown in the exploded drawing, as in a road map.
4. The marking (RTL) indicates that Retention Time is limited for this item. After the discontinuation of assembly in production, the item will continue to be available for a specific period of time. The retention period of availability is dependent on the type of assembly, and in accordance with the laws governing part and product retention. After the end of this period, the assembly will no longer be available.
5. "MCC" marks in remarks column are indicated supply parts of Matsushita Communication Industrial Corp. of America (MCC).

Ref. No.	Part No.	Part Name & Description	Remarks
[E6864B] Main Block			
IC's and TRANSISTORS			
IC201	C1BB00000284	IC	
IC202	YEAMM5243FT1	IC	
IC203	YEAMM5243FT1	IC	
IC301	COABCB000038	IC	
IC302	YEAMSA571D	IC	
IC303	YEAMSA571D	IC	
IC304	COABCB000038	IC	
IC305	COABBB000179	IC	
IC306	YEAMPD4052T2	IC	
IC310	C1BA00000332	IC	
IC601	C2CBHG000077	IC	
IC602	MN1382KTX	IC	
IC603	C3EBCG000037	IC	
IC611	YEAMLC72135C	IC	
IC612	COABBB000179	IC	
IC701	YEAMA61W12ST	IC	
IC702	AN8065SE1	IC	
IC921	COABBB000179	IC	
IC961	AN6277NK	IC	
PK50	YEP0PTA514B0	Electronic Tuner	
Q51	B1GBCFJJ0002	Transistor	
Q381	YEANC114YKX	Transistor	
Q382	YEANC114YKX	Transistor	
Q602	YEANC114YKX	Transistor	
Q704	2SB1398QTA	Transistor	
Q705	YEANC114YKX	Transistor	
Q707	2SD2139TA	Transistor	
Q721	YEANBP1F3PT	Transistor	
Q722	YEANBP1F3PT	Transistor	
Q731	2SB1398QTA	Transistor	
Q732	YEANC114YKX	Transistor	
Q745	B1BBAC000007	Transistor	
Q751	2SB1398QTA	Transistor	
Q752	B1GDJEGJ0002	Transistor	
Q753	YEAN2SD1856	Transistor	
Q754	2SD0601AHR	Transistor	
Q755	YEANBP1F3PT	Transistor	
Q756	B1GBCFJJ0002	Transistor	
Q757	2SB1398QTA	Transistor	
Q758	B1GDJEGJ0002	Transistor	
Q759	YEANC114YKX	Transistor	

Ref. No.	Part No.	Part Name & Description	Remarks
Q921	B1ACJC000004	Transistor	
Q922	YEANC114YKX	Transistor	
DIODES			
D103	MA142WKTXX	Diode	
D601	MA142WATXX	Diode	
D602	MA142WKTXX	Diode	
D650	MA3X152K0L	Diode	
D651	MA142WKTXX	Diode	
D652	MA142WKTXX	Diode	
D653	MA142WKTXX	Diode	
D701	YEADZSA5A27F	Diode	
D702	YEADDEC10DS1	Diode	
D703	YEADDEC10DS1	Diode	
D704	MA158TX	Diode	
D706	YEADRD91M1T2	Diode	
D707	YEADRD47M2T1	Diode	
D741	YEADRD56M3T1	Diode	
D751	YEADRD91M2T1	Diode	
D752	MA142WKTXX	Diode	
D911	MA3X152K0L	Diode	
D961	MA142WATXX	Diode	
CAPACITORS			
C51	YECUS1H102KX	Ceramic, 1000PF 50WV	
C52	YECUS1H103KX	Ceramic, 0.01 μ F 50WV	
C53	ECEA1AKS221I	Electrolytic, 220 μ F 10WV	
C54	YECUS1C154KX	Ceramic, 0.15 μ F 16WV	
C55	YECUS1H153KX	Ceramic, 0.015 μ F 50WV	
C56	YECUS1C683KX	Ceramic, 0.068 μ F 16WV	
C57	YECUS1H153KX	Ceramic, 0.015 μ F 50WV	
C58	ECEA1CKS100I	Electrolytic, 10 μ F 16WV	
C59	YECUS1E223KX	Ceramic, 0.022 μ F 25WV	
C61	YECUS1H101JM	Ceramic, 100PF 50WV	
C62	YECUS1H102KX	Ceramic, 1000PF 50WV	
C63	YECUS1H151JM	Ceramic, 150PF 50WV	
C65	YECUS1H273KX	Ceramic, 0.027 μ F 50WV	
C66	YECUS1H273KX	Ceramic, 0.027 μ F 50WV	
C67	YECUS1H103KX	Ceramic, 0.01 μ F 50WV	
C68	ECEA1AKS221I	Electrolytic, 220 μ F 10WV	
C69	YECUS1E223KX	Ceramic, 0.022 μ F 25WV	
C71	F1J1H2R0A007	Ceramic, 2PF 50WV	
C151	YECUS1C104KX	Ceramic, 0.1 μ F 16WV	
C155	YECUS1H183KX	Ceramic, 0.018 μ F 50WV	
C156	YECUS1H183KX	Ceramic, 0.018 μ F 50WV	
C201	ECEA1HKS22I	Electrolytic, 0.22 μ F 50WV	
C202	ECEA1HKS2R2I	Electrolytic, 2.2 μ F 50WV	
C209	ECEA1HKS22I	Electrolytic, 0.22 μ F 50WV	
C211	YECUS1E223KX	Ceramic, 0.022 μ F 25WV	
C212	YECUS1E223KX	Ceramic, 0.022 μ F 25WV	
C213	YECUS1H682KX	Ceramic, 6800PF 50WV	
C214	YECUS1H332KX	Ceramic, 3300PF 50WV	
C215	YECUS1E333KX	Ceramic, 0.033 μ F 25WV	
C216	YECUS1H153KX	Ceramic, 0.015 μ F 50WV	
C217	YECUS1H332KX	Ceramic, 3300PF 50WV	
C218	YECUS1H332KX	Ceramic, 3300PF 50WV	
C219	YECUS1C104KX	Ceramic, 0.1 μ F 16WV	
C220	ECEA1HKS2R2I	Electrolytic, 2.2 μ F 50WV	
C221	ECEA1CKS470I	Electrolytic, 47 μ F 16WV	
C222	ECEA1HKS2R2I	Electrolytic, 2.2 μ F 50WV	
C224	YECUS1H103KX	Ceramic, 0.01 μ F 50WV	
C225	YECUS1H103KX	Ceramic, 0.01 μ F 50WV	
C227	ECEA1HKS2R2I	Electrolytic, 2.2 μ F 50WV	
C228	ECEA1CKS101I	Electrolytic, 100 μ F 16WV	
C229	YECUS1C104KX	Ceramic, 0.1 μ F 16WV	
C230	YECUV1E333KX	Ceramic, 0.033 μ F 25WV	
C231	YECUS1C104KX	Ceramic, 0.1 μ F 16WV	
C232	YECUS1H390JM	Ceramic, 39PF 50WV	
C233	ECEA1HSN2R2I	Electrolytic, 2.2 μ F 50WV	
C234	YECUS1H471JM	Ceramic, 470PF 50WV	
C235	YECUV1C105KX	Ceramic, 1 μ F 16WV	

Ref. No.	Part No.	Part Name & Description	Remarks
C236	YECUS1H823KX	Ceramic, 0.082µF 50WV	
C237	YECUS1C683KX	Ceramic, 0.068µF 16WV	
C238	YECUS1C683KX	Ceramic, 0.068µF 16WV	
C239	YECUS1H103KX	Ceramic, 0.01µF 50WV	
C240	YECUV1C105KX	Ceramic, 1µF 16WV	
C241	ECEA1HKS2R2I	Electrolytic, 2.2µF 50WV	
C243	YECUS1E333KX	Ceramic, 0.033µF 25WV	
C244	YECUS1C224KX	Ceramic, 0.22µF 16WV	
C246	F1J1H182A509	Ceramic, 1800PF 50WV	
C247	YECUS1C104KX	Ceramic, 0.1µF 16WV	
C249	YECUS1H821JM	Ceramic, 820PF 50WV	
C250	YECUS1H562KX	Ceramic, 5600PF 50WV	
C252	ECEA1CKS100I	Electrolytic, 10µF 16WV	
C253	YECUS1H390JM	Ceramic, 39PF 50WV	
C254	ECEA1HKS2R2I	Electrolytic, 2.2µF 50WV	
C255	YECUS1H103KX	Ceramic, 0.01µF 50WV	
C257	YECUS1C124KX	Ceramic, 0.12µF 16WV	
C258	YECUV1C124KX	Ceramic, 0.12µF 16WV	
C259	ECEA1HKS2R2I	Electrolytic, 0.22µF 50WV	
C260	ECEA1HKS2R2I	Electrolytic, 0.22µF 50WV	
C261	ECEA1HKS2R2I	Electrolytic, 2.2µF 50WV	
C263	YECUS1E223KX	Ceramic, 0.022µF 25WV	
C264	YECUS1C334KX	Ceramic, 0.33µF 16WV	
C266	YECUS1H181JM	Ceramic, 180PF 50WV	
C267	YECUS1C154KX	Ceramic, 0.15µF 16WV	
C268	YECUS1H183KX	Ceramic, 0.018µF 50WV	
C269	YECUS1H151JM	Ceramic, 150PF 50WV	
C272	ECEA1HKS2R2I	Electrolytic, 2.2µF 50WV	
C273	YECUS1H390JM	Ceramic, 39PF 50WV	
C274	ECEA1HKS010I	Electrolytic, 1µF 50WV	
C275	YECUS1H103KX	Ceramic, 0.01µF 50WV	
C277	YECUS1C124KX	Ceramic, 0.12µF 16WV	
C278	YECUS1C124KX	Ceramic, 0.12µF 16WV	
C301	ECEA1HKS2R2I	Electrolytic, 0.22µF 50WV	
C302	ECEA1HKS2R2I	Electrolytic, 2.2µF 50WV	
C309	ECEA1HKS2R2I	Electrolytic, 0.22µF 50WV	
C311	YECUS1E223KX	Ceramic, 0.022µF 25WV	
C312	YECUS1E223KX	Ceramic, 0.022µF 25WV	
C313	YECUS1H682KX	Ceramic, 6800PF 50WV	
C314	YECUS1H332KX	Ceramic, 3300PF 50WV	
C315	YECUS1E333KX	Ceramic, 0.033µF 25WV	
C316	YECUS1H153KX	Ceramic, 0.015µF 50WV	
C317	YECUS1H332KX	Ceramic, 3300PF 50WV	
C318	YECUS1H332KX	Ceramic, 3300PF 50WV	
C319	YECUS1C104KX	Ceramic, 0.1µF 16WV	
C320	ECEA1HKS2R2I	Electrolytic, 2.2µF 50WV	
C321	ECEA1CKS101I	Electrolytic, 100µF 16WV	
C322	ECEA1HKS2R2I	Electrolytic, 2.2µF 50WV	
C324	YECUS1H103KX	Ceramic, 0.01µF 50WV	
C325	YECUS1H103KX	Ceramic, 0.01µF 50WV	
C327	ECEA1HKS2R2I	Electrolytic, 2.2µF 50WV	
C328	ECEA1CKS470I	Electrolytic, 47µF 16WV	
C329	YECUS1C104KX	Ceramic, 0.1µF 16WV	
C330	YECUV1E333KX	Ceramic, 0.033µF 25WV	
C331	YECUS1C104KX	Ceramic, 0.1µF 16WV	
C332	YECUS1H390JM	Ceramic, 39PF 50WV	
C333	ECEA1HSN2R2I	Electrolytic, 2.2µF 50WV	
C334	YECUS1H471JM	Ceramic, 470PF 50WV	
C335	YECUV1C105KX	Ceramic, 1µF 16WV	
C336	YECUS1H823KX	Ceramic, 0.082µF 50WV	
C337	YECUS1C683KX	Ceramic, 0.068µF 16WV	
C338	YECUS1C683KX	Ceramic, 0.068µF 16WV	
C339	YECUS1H103KX	Ceramic, 0.01µF 50WV	
C340	YECUV1C105KX	Ceramic, 1µF 16WV	
C341	ECEA1HKS2R2I	Electrolytic, 2.2µF 50WV	
C343	YECUS1E333KX	Ceramic, 0.033µF 25WV	
C344	YECUS1C224KX	Ceramic, 0.22µF 16WV	
C346	F1J1H182A509	Ceramic, 1800PF 50WV	
C347	YECUS1C104KX	Ceramic, 0.1µF 16WV	
C349	YECUS1H821JM	Ceramic, 820PF 50WV	
C350	YECUS1H562KX	Ceramic, 5600PF 50WV	
C352	ECEA1CKS100I	Electrolytic, 10µF 16WV	
C353	YECUS1H390JM	Ceramic, 39PF 50WV	

Ref. No.	Part No.	Part Name & Description	Remarks
C354	ECEA1HKS2R2I	Electrolytic, 2.2µF 50WV	
C355	YECUS1H103KX	Ceramic, 0.01µF 50WV	
C357	YECUS1C124KX	Ceramic, 0.12µF 16WV	
C358	YECUS1C124KX	Ceramic, 0.12µF 16WV	
C359	ECEA1HKS2R2I	Electrolytic, 0.22µF 50WV	
C360	ECEA1HKS2R2I	Electrolytic, 0.22µF 50WV	
C361	ECEA1HKS2R2I	Electrolytic, 2.2µF 50WV	
C363	YECUS1E223KX	Ceramic, 0.022µF 25WV	
C364	YECUS1C334KX	Ceramic, 0.33µF 16WV	
C366	YECUS1H181JM	Ceramic, 180PF 50WV	
C367	YECUS1C154KX	Ceramic, 0.15µF 16WV	
C368	YECUS1H183KX	Ceramic, 0.018µF 50WV	
C369	YECUS1H151JM	Ceramic, 150PF 50WV	
C372	ECEA1HKS2R2I	Electrolytic, 2.2µF 50WV	
C373	YECUS1H390JM	Ceramic, 39PF 50WV	
C374	ECEA1HKS010I	Electrolytic, 1µF 50WV	
C375	YECUS1H103KX	Ceramic, 0.01µF 50WV	
C377	YECUS1C124KX	Ceramic, 0.12µF 16WV	
C378	YECUS1C124KX	Ceramic, 0.12µF 16WV	
C441	F1J1H182A509	Ceramic, 1800PF 50WV	
C442	ECEA1HKS2R2I	Electrolytic, 2.2µF 50WV	
C443	YECUS1H821JM	Ceramic, 820PF 50WV	
C444	YECUS1H331JM	Ceramic, 330PF 50WV	
C541	F1J1H182A509	Ceramic, 1800PF 50WV	
C542	ECEA1HKS2R2I	Electrolytic, 2.2µF 50WV	
C543	YECUS1H821JM	Ceramic, 820PF 50WV	
C544	YECUS1H331JM	Ceramic, 330PF 50WV	
C601	YECUS1C104KX	Ceramic, 0.1µF 16WV	
C602	ECEA0JKS470I	Electrolytic, 47µF 6.3WV	
C603	YECUS1C104KX	Ceramic, 0.1µF 16WV	
C604	YECUS1C104KX	Ceramic, 0.1µF 16WV	
C605	YECUS1C104KX	Ceramic, 0.1µF 16WV	
C606	YECUS1H103KX	Ceramic, 0.01µF 50WV	
C607	YECUS1H220JM	Ceramic, 22PF 50WV	
C608	YECUS1H220JM	Ceramic, 22PF 50WV	
C609	F1J1H200A025	Ceramic, 20PF 50WV	
C610	F1J1H200A025	Ceramic, 20PF 50WV	
C611	ECEA0JKS470I	Electrolytic, 47µF 6.3WV	
C612	YECUS1C104KX	Ceramic, 0.1µF 16WV	
C619	F1J1H120A034	Ceramic, 12PF 50WV	
C620	F1J1H120A034	Ceramic, 12PF 50WV	
C621	YECUS1H103KX	Ceramic, 0.01µF 50WV	
C622	ECEA1ESN4R7	Electrolytic, 4.7µF 25WV	
C623	YECUS1H103KX	Ceramic, 0.01µF 50WV	
C624	ECEA0JKS101I	Electrolytic, 100µF 6.3WV	
C625	YECUS1H103KX	Ceramic, 0.01µF 50WV	
C632	YECUS1H103KX	Ceramic, 0.01µF 50WV	
C696	ECEA1CKS100I	Electrolytic, 10µF 16WV	
C697	YECUS1H103KX	Ceramic, 0.01µF 50WV	
C699	YECUS1C334KX	Ceramic, 0.33µF 16WV	
C700	ECA1CM332	Electrolytic, 3300µF 16WV	
C701	ECEA1CKS100I	Electrolytic, 10µF 16WV	
C704	YECUS1C104KX	Ceramic, 0.1µF 16WV	
C705	ECEA0JKS101I	Electrolytic, 100µF 6.3WV	
C707	ECEA1CPU222L	Electrolytic, 2200µF 16WV	
C708	YECUS1C104KX	Ceramic, 0.1µF 16WV	
C709	YECUS1C224KX	Ceramic, 0.22µF 16WV	
C710	EEAFC1A820H	Electrolytic, 82µF 10WV	
C711	YECUS1C224KX	Ceramic, 0.22µF 16WV	
C712	EEAFC1A820H	Electrolytic, 82µF 10WV	
C713	YECUV1C104KX	Ceramic, 0.1µF 16WV	
C714	ECEA1AKS221I	Electrolytic, 220µF 10WV	
C715	ECA1AM221I	Electrolytic, 220µF 10WV	
C716	YECUS1C224KX	Ceramic, 0.22µF 16WV	
C717	YECUS1H103KX	Ceramic, 0.01µF 50WV	
C718	F1J1C1050013	Ceramic, 1µF 16WV	
C721	ECEA0JKS331I	Electrolytic, 330µF 6.3WV	
C722	F4D551030003	Electrolytic, 0.01F 5.5WV	
C723	YECUS1C104KX	Ceramic, 0.1µF 16WV	
C724	YECUS1C104KX	Ceramic, 0.1µF 16WV	
C725	ECA0JM472	Electrolytic, 4700µF 6.3WV	
C728	YECUS1C104KX	Ceramic, 0.1µF 16WV	
C729	YECUV1C104KX	Ceramic, 0.1µF 16WV	

Ref. No.	Part No.	Part Name & Description	Remarks
R349	ERJ6GEYJ102	Chip, 1kΩ 1/10W	
R350	ERJ6GEYJ682	Chip, 6.8kΩ 1/10W	
R357	ERJ6GEYJ2R2	Chip, 2.2Ω 1/10W	
R358	ERJ6GEYJ2R2	Chip, 2.2Ω 1/10W	
R361	ERJ6GEYJ682	Chip, 6.8kΩ 1/10W	
R362	ERJ6GEYJ681	Chip, 680Ω 1/10W	
R363	ERJ6GEYJ102	Chip, 1kΩ 1/10W	
R364	ERJ6GEY0R00	Chip, 0Ω 1/10W	
R366	ERJ6GEYJ222	Chip, 2.2kΩ 1/10W	
R367	ERJ6GEYJ682	Chip, 6.8kΩ 1/10W	
R368	ERJ6GEYJ432	Chip, 4.3kΩ 1/10W	
R369	ERJ6GEYJ152	Chip, 1.5kΩ 1/10W	
R370	ERJ6GEYJ392	Chip, 3.9kΩ 1/10W	
R377	ERJ6GEYJ2R2	Chip, 2.2Ω 1/10W	
R378	ERJ6GEYJ2R2	Chip, 2.2Ω 1/10W	
R386	ERJ6GEYJ473	Chip, 47kΩ 1/10W	
R387	ERJ6GEYJ473	Chip, 47kΩ 1/10W	
R441	ERJ6GEYJ152	Chip, 1.5kΩ 1/10W	
R442	ERJ6GEYJ223	Chip, 22kΩ 1/10W	
R443	ERJ6GEYJ123	Chip, 12kΩ 1/10W	
R444	ERJ6GEYJ123	Chip, 12kΩ 1/10W	
R541	ERJ6GEYJ152	Chip, 1.5kΩ 1/10W	
R542	ERJ6GEYJ223	Chip, 22kΩ 1/10W	
R543	ERJ6GEYJ123	Chip, 12kΩ 1/10W	
R544	ERJ6GEYJ123	Chip, 12kΩ 1/10W	
R601	ERJ6GEYJ102	Chip, 1kΩ 1/10W	
R602	ERJ6GEYJ102	Chip, 1kΩ 1/10W	
R603	ERJ6GEYJ684	Chip, 680kΩ 1/10W	
R604	ERJ6GEY0R00	Chip, 0Ω 1/10W	
R605	ERJ6GEYJ103	Chip, 10kΩ 1/10W	
R606	ERJ6GEYJ473	Chip, 47kΩ 1/10W	
R618	ERJ6GEYJ102	Chip, 1kΩ 1/10W	
R620	ERJ6GEYJ473	Chip, 47kΩ 1/10W	
R621	ERJ6GEYJ473	Chip, 47kΩ 1/10W	
R623	ERJ6GEYJ473	Chip, 47kΩ 1/10W	
R626	ERJ6GEYJ473	Chip, 47kΩ 1/10W	
R627	ERJ6GEYJ473	Chip, 47kΩ 1/10W	
R630	ERJ6GEY0R00	Chip, 0Ω 1/10W	
R631	ERJ6GEYJ102	Chip, 1kΩ 1/10W	
R632	ERJ6GEYJ473	Chip, 47kΩ 1/10W	
R633	ERJ6GEYJ102	Chip, 1kΩ 1/10W	
R635	ERJ6GEYJ473	Chip, 47kΩ 1/10W	
R636	ERJ6GEYJ473	Chip, 47kΩ 1/10W	
R641	ERJ6GEYJ473	Chip, 47kΩ 1/10W	
R642	ERJ6GEYJ473	Chip, 47kΩ 1/10W	
R643	ERJ6GEYJ104	Chip, 100kΩ 1/10W	
R645	ERJ6GEYJ104	Chip, 100kΩ 1/10W	
R646	ERJ6GEYJ473	Chip, 47kΩ 1/10W	
R648	ERJ6GEYJ473	Chip, 47kΩ 1/10W	
R649	ERJ6GEYJ473	Chip, 47kΩ 1/10W	
R650	ERJ6GEYJ152	Chip, 1.5kΩ 1/10W	
R651	ERJ6GEYJ152	Chip, 1.5kΩ 1/10W	
R654	ERJ6GEYJ152	Chip, 1.5kΩ 1/10W	
R655	ERJ6GEYJ393	Chip, 39kΩ 1/10W	
R656	ERJ6GEYJ472	Chip, 4.7kΩ 1/10W	
R657	ERJ6GEYJ103	Chip, 10kΩ 1/10W	
R658	ERJ6GEYJ151	Chip, 150Ω 1/10W	
R667	ERJ6GEYJ331	Chip, 330Ω 1/10W	
R673	ERJ6GEYJ223	Chip, 22kΩ 1/10W	
R681	ERJ6GEYJ102	Chip, 1kΩ 1/10W	
R682	ERJ6GEYJ102	Chip, 1kΩ 1/10W	
R683	ERJ6GEYJ102	Chip, 1kΩ 1/10W	
R684	ERJ6GEYJ103	Chip, 10kΩ 1/10W	
R685	ERJ6GEYJ103	Chip, 10kΩ 1/10W	
R686	ERJ6GEYJ103	Chip, 10kΩ 1/10W	
R691	ERJ8GEYJ271V	Chip, 270Ω 1/8W	
R701	ERJ8GEYJ472V	Chip, 4.7kΩ 1/8W	
R702	ERJ6GEYJ333	Chip, 33kΩ 1/10W	
R703	ERJ8GEYJ102V	Chip, 1kΩ 1/8W	
R705	ERJ8GEYJ2R2V	Chip, 2.2Ω 1/8W	
R706	ERJ8GEYJ2R2V	Chip, 2.2Ω 1/8W	
R708	ERJ8GEYJ391V	Chip, 390Ω 1/8W	
R709	ERJ6GEYJ331	Chip, 330Ω 1/10W	

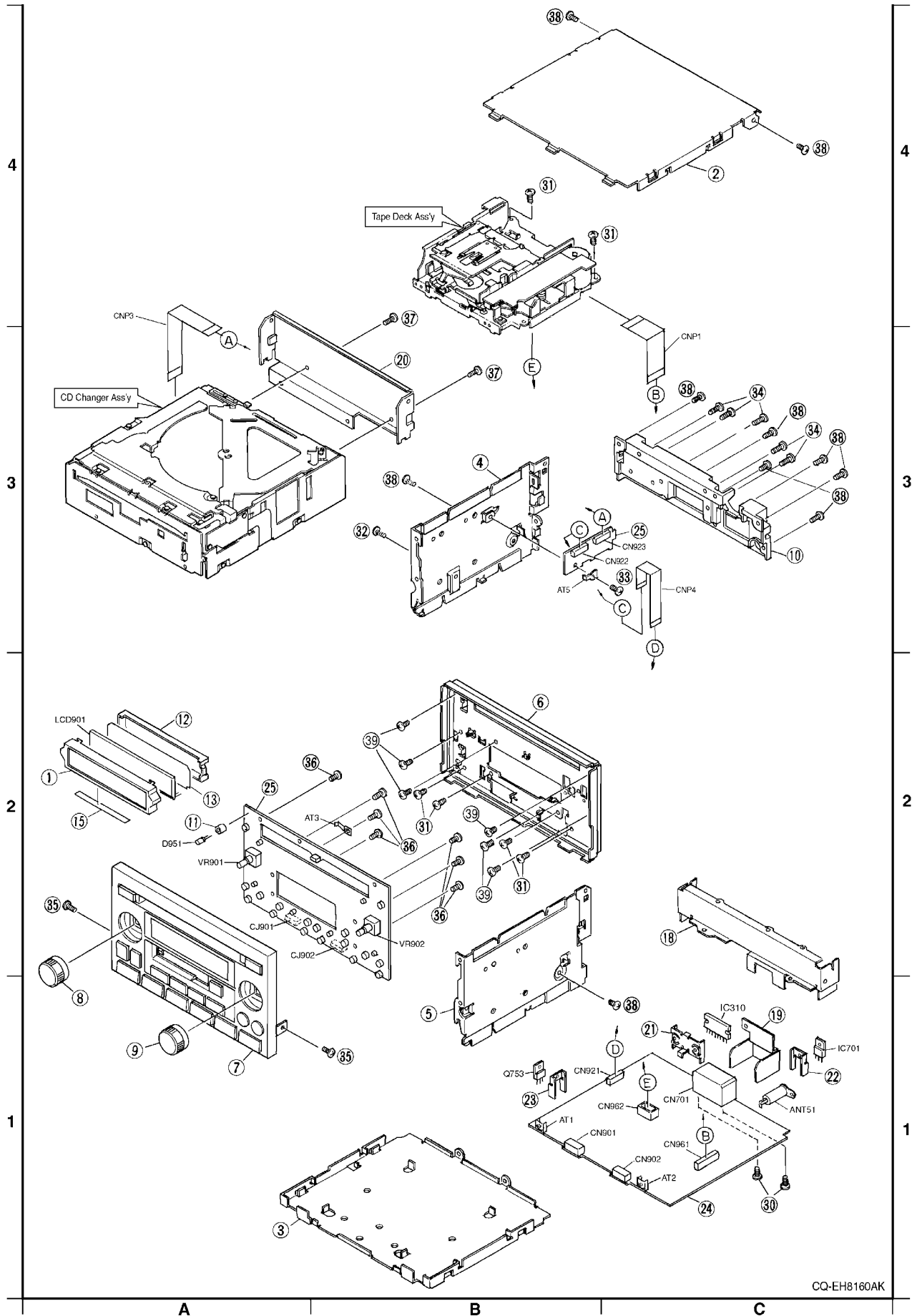
Ref. No.	Part No.	Part Name & Description	Remarks
R710	ERJ8GEYJ820V	Chip, 82Ω 1/8W	
R712	ERJ6GEYJ331	Chip, 330Ω 1/10W	
R715	ERJ6GEYJ274	Chip, 270kΩ 1/10W	
R716	ERJ6GEYJ433	Chip, 43kΩ 1/10W	
R717	ERJ6GEYJ223	Chip, 22kΩ 1/10W	
R718	ERJ6GEYJ472	Chip, 4.7kΩ 1/10W	
R719	ERJ8GEYJ472V	Chip, 4.7kΩ 1/8W	
R720	ERJ8GEYJ472V	Chip, 4.7kΩ 1/8W	
R721	ERJ6GEYJ103	Chip, 10kΩ 1/10W	
R722	ERJ6GEYJ681	Chip, 680Ω 1/10W	
R723	ERJ6GEYJ103	Chip, 10kΩ 1/10W	
R724	ERJ6GEYJ102	Chip, 1kΩ 1/10W	
R732	ERJ8GEYJ122V	Chip, 1.2kΩ 1/8W	
R733	ERJ6GEYJ103	Chip, 10kΩ 1/10W	
R734	ERJ8GEYJ122V	Chip, 1.2kΩ 1/8W	
R744	ERJ8GEYJ6R8V	Chip, 6.8Ω 1/8W	
R745	ERJ6GEYJ183	Chip, 18kΩ 1/10W	
R749	ERJ6GEY0R00	Chip, 0Ω 1/10W	
R751	ERJ6GEYJ473	Chip, 47kΩ 1/10W	
R752	ERJ8GEYJ821V	Chip, 82kΩ 1/8W	
R754	ERJ8GEYJ681V	Chip, 680Ω 1/8W	
R755	ERJ6GEYJ182	Chip, 1.8kΩ 1/10W	
R756	ERJ6GEYJ223	Chip, 22kΩ 1/10W	
R757	ERJ6GEYJ152	Chip, 1.5kΩ 1/10W	
R758	ERJ6GEYJ123	Chip, 12kΩ 1/10W	
R759	ERJ6GEYJ473	Chip, 47kΩ 1/10W	
R760	ERJ6GEYJ681	Chip, 680Ω 1/10W	
R761	ERDS1FJ5R6	Carbon, 5.6Ω 1/2W	
R762	ERDS1FJ6R8	Carbon, 6.8Ω 1/2W	
R763	ERDS1FJ1R5	Carbon, 1.5Ω 1/2W	
R764	ERDS1FJ2R2	Carbon, 2.2Ω 1/2W	
R766	ERJ6GEYJ473	Chip, 47kΩ 1/10W	
R798	ERJ6GEYJ103	Chip, 10kΩ 1/10W	
R799	ERJ6GEYJ123	Chip, 12kΩ 1/10W	
R923	ERJ6GEYJ473	Chip, 47kΩ 1/10W	
R924	ERJ6GEY0R00	Chip, 0Ω 1/10W	
R925	ERJ6GEYJ102	Chip, 1kΩ 1/10W	
R926	ERJ6GEYJ102	Chip, 1kΩ 1/10W	
R927	ERJ6GEYJ102	Chip, 1kΩ 1/10W	
R928	ERJ6GEYJ102	Chip, 1kΩ 1/10W	
R929	ERJ8GEYJ391V	Chip, 390Ω 1/8W	
R964	ERJ6GEYJ473	Chip, 47kΩ 1/10W	
R965	ERJ6GEYJ473	Chip, 47kΩ 1/10W	
R966	ERJ6GEYJ473	Chip, 47kΩ 1/10W	
R967	ERDS1FJ1R5	Carbon, 1.5Ω 1/2W	
R968	ERJ6GEYJ473	Chip, 47kΩ 1/10W	
R969	ERJ6GEYJ473	Chip, 47kΩ 1/10W	
R970	ERJ6GEYJ472	Chip, 4.7kΩ 1/10W	
R971	ERJ6GEYJ472	Chip, 4.7kΩ 1/10W	
CONNECTORS			
CN701	YEAEMX5P20L	Connector, 20P	
CN901	K1KA10B00162	Connector, 10P	
CN902	K1KA10B00162	Connector, 10P	
CN921	YEAEK623214S	Connector, 14P	
CN961	YEA9604S17S	Connector, 17P	
CN962	YEA0110TRAG	Connector, 10P	
COILS			
J601	YELTBLM21A10	Coil	
L51	YELT03N1R8JT	Coil	
L52	YELT03NR82JT	Coil	
L53	G1C3R3J00003	Coil	
L601	YELT03N5R6KT	Coil	
L603	YELTBLM21A10	Coil	
L604	YELTBLM21A10	Coil	
L605	YELT03N5R6KT	Coil	
L701	G0B750J00001	Coil	
L921	YELT03N330JT	Coil	

Ref. No.	Part No.	Part Name & Description	Remarks
CRYSTALS			
XL601	YEXL49U1258T	Crystal	
XL602	YEXLMC60327	Crystal	
XL603	HOD720400003	Crystal	
LAMPS			
Z51	JOLE00000002	Neon Lamp	
Z700	JOHACJ000005	Neon Lamp	
NETWORK RESISTORS			
RA601	EXBV8V102JV	Network Resistor	
RA602	EXBV8V102JV	Network Resistor	
RA603	EXBV8V102JV	Network Resistor	
RA604	EXBV8V102JV	Network Resistor	
RA605	EXBV8V102JV	Network Resistor	
RA606	EXBV8V102JV	Network Resistor	
RA607	EXBV8V102JV	Network Resistor	
RA608	EXBV8V102JV	Network Resistor	
RA609	EXBV8V102JV	Network Resistor	
RA610	EXBV8V102JV	Network Resistor	
RA611	EXBV8V102JV	Network Resistor	
RA612	EXBV8V102JV	Network Resistor	
RA613	EXBV8V102JV	Network Resistor	
RA614	EXBV8V102JV	Network Resistor	
RA615	EXBV8V102JV	Network Resistor	
RA616	EXBV8V102JV	Network Resistor	
RA617	EXBV8V102JV	Network Resistor	
RA618	EXBV8V102JV	Network Resistor	
THERMISTER			
R731	YERTX030T	Thermister	
[E8861A] Display Block			
IC's and TRANSISTORS			
IC901	YEAMLC75853	IC	
Q901	B1GDCFJJ0002	Transistor	
Q902	B1GDJEGJ0002	Transistor	
Q903	B1GDJEGJ0002	Transistor	
Q904	B1GDCFJJ0002	Transistor	
Q905	B1GDCFJJ0002	Transistor	
Q906	YEANC114YKX	Transistor	
Q907	YEANC114YKX	Transistor	
DIODES			
D951	YEADBR3668S	Diode	
D952	B3AGA0000064	Diode	
CAPACITORS			
C900	YECUS1C104KX	Ceramic, 0.1µF 16WV	
C901	YECUS1H473KX	Ceramic, 0.047µF 50WV	
C902	YECUS1H473KX	Ceramic, 0.047µF 50WV	
C903	YECUS1H821JM	Ceramic, 820PF 50WV	
C955	YECUS1H103KX	Ceramic, 0.01µF 50WV	
RESISTORS			
R941	ERJ8GEYJ390V	Chip, 39Ω 1/8W	
R942	ERJ8GEYJ470V	Chip, 47Ω 1/8W	
R943	ERJ8GEYJ470V	Chip, 47Ω 1/8W	
R944	ERJ8GEYJ470V	Chip, 47Ω 1/8W	
R945	ERJ8GEYJ390V	Chip, 39Ω 1/8W	
R946	ERJ8GEYJ470V	Chip, 47Ω 1/8W	
R947	ERJ8GEYJ270V	Chip, Chip, 27Ω 1/8W	
R948	ERJ8GEYJ270V	Chip, Chip, 27Ω 1/8W	
R949	ERJ8GEYJ121V	Chip, 120Ω 1/8W	

Ref. No.	Part No.	Part Name & Description	Remarks
R951	ERJ8GEYJ271V	Chip, 270Ω 1/8W	
R952	ERJ8GEYJ121V	Chip, 120Ω 1/8W	
R953	ERJ6GEYJ472	Chip, 4.7kΩ 1/10W	
R954	ERJ6GEYJ472	Chip, 4.7kΩ 1/10W	
R955	ERJ6GEYJ220	Chip, 22Ω 1/10W	
R956	ERJ6GEYJ472	Chip, 4.7kΩ 1/10W	
R957	ERJ6GEYJ683	Chip, 68kΩ 1/10W	
R958	ERJ6GEYJ472	Chip, 4.7kΩ 1/10W	
R959	ERJ6GEYJ472	Chip, 4.7kΩ 1/10W	
R960	ERJ8GEYJ561V	Chip, 560Ω 1/8W	
R961	ERJ8GEYJ561V	Chip, 560Ω 1/8W	
R962	ERJ6GEYJ473	Chip, 47kΩ 1/10W	
R963	ERJ6GEYJ102	Chip, 1kΩ 1/10W	
CONNECTORS			
CJ901	K1MQ10A00009	Connector, 10P	
CJ902	K1MQ10A00009	Connector, 10P	
CN922	YEAB5280714	Connector, 14P	
CN923	K1MN15B00014	Connector, 15P	
SWITCHES			
SW901	EVQPVF05K	Switch	
SW902	EVQPVF05K	Switch	
SW903	EVQPVF05K	Switch	
SW904	EVQPVF05K	Switch	
SW905	EVQPVF05K	Switch	
SW906	EVQPVF05K	Switch	
SW907	EVQPVF05K	Switch	
SW909	EVQPVF05K	Switch	
SW910	EVQPVF05K	Switch	
SW911	EVQPVF05K	Switch	
SW912	EVQPVF05K	Switch	
SW913	EVQPVF05K	Switch	
SW914	EVQPVF05K	Switch	
SW915	EVQPVF05K	Switch	
SW916	EVQPVF05K	Switch	
SW917	EVQPVF05K	Switch	
SW918	EVQPVF05K	Switch	
LCD			
LCD901	L5AAALC00012	LCD	
COIL			
L923	YELTBMHS800T	Coil	
LAMPS			
PL901	YEALHSIO047	Pilot Lamp	
PL902	YEALHSIO047	Pilot Lamp	
PL903	YEALHSIO047	Pilot Lamp	
PL904	YEALHSIO047	Pilot Lamp	
PL905	YEALHSIO047	Pilot Lamp	
PL906	YEALHSIO047	Pilot Lamp	
PL907	YEALHSIO047	Pilot Lamp	
PL908	YEALHSIO047	Pilot Lamp	
VARIABLE RESISTORS			
VR901	K9AA015B0013	Variabl resistor	
VR902	K9AA015B0013	Variabl resistor	
Accessories			
PRINTING			
	YEP9PR3157	Anti Theft Card	

Ref. No.	Part No.	Part Name & Description	Remarks
Mechanical Parts			
MISCELLANEOUS			
ANT51	YEAA10064	Antenna Receptacle	
AT1	YEFX0213797	Bracket, GND	
AT2	YEFX0213797	Bracket, GND	
AT3	YEFX0213919	Bracket, GND	
AT5	YEAT03346A	Terminal	
CNP1	YEAES17A050A	Connector, 17P	
CNP3	K9ZZ00000231	Connector, 15P	
CNP4	K9ZZ00000757	Connector, 14P	
1	YEFA131502	Cover, LCD	(4-C)
2	YEFA031717A	Upper Cover	(2-A)
3	YEFA05781	Bottom Cover	(1-B)
4	YEFA09682A	Side Plate (L)	(3-B)
5	YEFA09683A	Side Plate (R)	(1-B)
6	YEFA07521A	Front Plate	(2-B)
7	YGFC027383	Escuchon Ass'y	(1-A)
8	YEF02352	Knob, VOL.	(2-A)
9	YEF02352	Knob	(1-A)
10	YGFF011017	Heat Sink	(3-C)
11	YEFK06512	Holder, LED	(2-A)
12	YEFK06918	Holder, LCD	(2-A)
13	YEFV021712	Optical Shade	(2-A)
15	YEFV012057	Insulator	(2-A)
18	YEFX0214941	Bracket, CST	(2-C)
19	YEFX0214942	Bracket	(1-C)
20	YEFX0214940A	Bracket, CD	(3-B)
21	YEFX0214943	Bracket, IC310	(1-C)
22	YEFX0214202	Bracket, IC701	(1-C)
23	YEFX0212830	Bracket, Q753	(1-B)
24	YEP0PT6864U9	PCB w/Component	RTL
25	YEP0PT8861U9	PCB w/Component	RTL
30	YEJT01089	Screw, M3x6mm	
31	YEJT03131	Screw, M2.6x5mm	
32	YEJT03009	Screw, M3x8mm	
33	YEJT03015	Screw, M3x6mm	
34	YEJT03038	Screw, M3x16mm	
35	YEJT03207	Screw, M3x6mm	
36	XTB2+6GFX	Screw, M2x6mm	
37	XTB3+5FFX	Screw, M3x5mm	
38	XTB3+6FFX	Screw, M3x6mm	
39	YEJS06219A	Screw,	

14 EXPLODED VIEW (Unit)



CQ-EH8160AK

15 CD CHANGER PARTS LIST

Ref. No.	Part No.	Part Name & Description	Remarks
[E8586C] CD Servo Block			
IC's and TRANSISTORS			
IC101	C1BB00000173	IC	
IC201	MN662783RPW	IC	
IC202	C3ABMB000010	IC	
IC301	MNS73260ACBL	IC	
IC401	YEAMBA6792FY	IC	
IC501	YEAMPC358G2T	IC	
IC601	C0GBY0000004	IC	
IC602	C0JBAS0000051	IC	
IC603	YEAMT4W53FUL	IC	
Q101	2SB766ATX	Transistor	
DIODE			
D301	MA152WKTX	Diode	
CAPACITORS			
C100	ECEV1CA470SP	Electrolytic, 47µF 16WV	
C101	YECUS1C104KX	Ceramic, 0.1µF 16WV	
C102	YECUS1C104KX	Ceramic, 0.1µF 16WV	
C103	F3H0J1070005	Tantalum, 100µF 6.3WV	
C104	YECUS1C104KX	Ceramic, 0.1µF 16WV	
C105	F3E0J475A001	Tantalum, 4.7µF 6.3WV	
C106	YECUS1E273KX	Ceramic, 0.027µF 25WV	
C107	YECUS1H152KX	Ceramic, 1500PF 50WV	
C108	YECUS1H472KX	Ceramic, 4700PF 50WV	
C109	YECUS1H102KX	Ceramic, 1000PF 50WV	
C110	YECUS1H102KX	Ceramic, 1000PF 50WV	
C111	YECUSW1C106MS	Tantalum, 10µF 16WV	
C112	YECUS1C104KX	Ceramic, 0.1µF 16WV	
C113	YECUS1C104KX	Ceramic, 0.1µF 16WV	
C114	YECUSW1C106MS	Tantalum, 10µF 16WV	
C115	YECUS1H102KX	Ceramic, 1000PF 50WV	
C116	YECUS1H102KX	Ceramic, 1000PF 50WV	
C118	YECUS1H391JM	Ceramic, 390PF 50WV	
C120	YECUS1H561JM	Ceramic, 560PF 50WV	
C122	YECUS1C104KX	Ceramic, 0.1µF 16WV	
C202	YECUS1H123KX	Ceramic, 0.012µF 50WV	
C203	YECUS1C334KX	Ceramic, 0.33µF 16WV	
C204	YECUS1C104KX	Ceramic, 0.1µF 16WV	
C205	YECUSW1C106MS	Tantalum, 10µF 16WV	
C206	ECEV0JA470SR	Electrolytic, 47µF 6.3WV	
C207	YECUS1C104KX	Ceramic, 0.1µF 16WV	
C208	YECUS1C104KX	Ceramic, 0.1µF 16WV	
C209	YECUSW1C106MS	Tantalum, 10µF 16WV	
C210	YECUS1C104KX	Ceramic, 0.1µF 16WV	
C211	YECUS1A105KX	Ceramic, 1µF 10WV	
C301	YECUS1C104KX	Ceramic, 0.1µF 16WV	
C302	YECUSW1C106MS	Tantalum, 10µF 16WV	
C305	YECUS1H103KX	Ceramic, 0.01µF 50WV	
C401	YECUS1C104KX	Ceramic, 0.1µF 16WV	
C402	ECEV1CA470SP	Electrolytic, 47µF 16WV	
C403	YECUS1C104KX	Ceramic, 0.1µF 16WV	
C501	YECUS1C104KX	Ceramic, 0.1µF 16WV	
C503	YECUS1E273KX	Ceramic, 0.027µF 25WV	
C504	YECUS1E393KX	Ceramic, 0.039µF 25WV	
C601	YECUS1C104KX	Ceramic, 0.1µF 16WV	
C602	ECEV1CA470SP	Electrolytic, 47µF 16WV	
C603	YECUS1C104KX	Ceramic, 0.1µF 16WV	
C604	YECUS1C104KX	Ceramic, 0.1µF 16WV	
C605	F1H1H821A190	Ceramic, 820PF 50WV	
RESISTORS			
R100	ERJ6GEYJ334	Chip, 330kΩ 1/10W	
R101	ERJ6GEYJ101	Chip, 100Ω 1/10W	

Ref. No.	Part No.	Part Name & Description	Remarks
R102	ERJ12YJ330H	Chip, 33Ω 1/2W	
R103	ERJ6GEYJ683	Chip, 68kΩ 1/10W	
R104	ERJ6GEYJ683	Chip, 68kΩ 1/10W	
R105	ERJ6GEYJ333	Chip, 33kΩ 1/10W	
R106	ERJ6GEYJ184	Chip, 180kΩ 1/10W	
R107	ERJ6GEYJ184	Chip, 180kΩ 1/10W	
R108	ERJ6GEYJ823	Chip, 82kΩ 1/10W	
R109	ERJ6GEYJ334	Chip, 330kΩ 1/10W	
R110	ERJ6GEYJ102	Chip, 1kΩ 1/10W	
R111	ERJ6GEYJ102	Chip, 1kΩ 1/10W	
R112	ERJ6GEYJ393	Chip, 39kΩ 1/10W	
R113	ERJ6GEYJ333	Chip, 33kΩ 1/10W	
R201	ERJ6GEYJ124	Chip, 120kΩ 1/10W	
R202	ERJ6GEYJ473	Chip, 47kΩ 1/10W	
R203	ERJ6GEYJ334	Chip, 330kΩ 1/10W	
R204	ERJ6GEYJ473	Chip, 47kΩ 1/10W	
R205	ERJ6GEYJ331	Chip, 330Ω 1/10W	
R206	ERJ6GEYJ470	Chip, 47Ω 1/10W	
R207	ERJ6GEYJ472	Chip, 4.7kΩ 1/10W	
R208	ERJ6GEYJ472	Chip, 4.7kΩ 1/10W	
R209	ERJ6GEYJ472	Chip, 4.7kΩ 1/10W	
R210	ERJ6GEYJ472	Chip, 4.7kΩ 1/10W	
R211	ERJ6GEYJ472	Chip, 4.7kΩ 1/10W	
R212	ERJ6GEYJ472	Chip, 4.7kΩ 1/10W	
R213	ERJ6GEYJ472	Chip, 4.7kΩ 1/10W	
R301	ERJ6GEYJ472	Chip, 4.7kΩ 1/10W	
R302	ERJ6GEYJ472	Chip, 4.7kΩ 1/10W	
R303	ERJ6GEYJ472	Chip, 4.7kΩ 1/10W	
R304	ERJ6GEYJ472	Chip, 4.7kΩ 1/10W	
R305	ERJ6GEYJ563	Chip, 56kΩ 1/10W	
R306	ERJ6GEYJ563	Chip, 56kΩ 1/10W	
R307	ERJ6GEYJ473	Chip, 47kΩ 1/10W	
R308	ERJ6GEYJ472	Chip, 4.7kΩ 1/10W	
R309	ERJ6GEYJ472	Chip, 4.7kΩ 1/10W	
R310	ERJ6GEYJ472	Chip, 4.7kΩ 1/10W	
R311	ERJ6GEYJ472	Chip, 4.7kΩ 1/10W	
R312	ERJ6GEYJ473	Chip, 47kΩ 1/10W	
R313	ERJ6GEYJ473	Chip, 47kΩ 1/10W	
R314	ERJ6GEYJ823	Chip, 82kΩ 1/10W	
R315	ERJ6GEYJ823	Chip, 82kΩ 1/10W	
R316	ERJ6GEYJ823	Chip, 82kΩ 1/10W	
R317	ERJ6GEYJ471	Chip, 470Ω 1/10W	
R318	ERJ6GEYJ471	Chip, 470Ω 1/10W	
R319	ERJ6GEYJ471	Chip, 470Ω 1/10W	
R320	ERJ6GEYJ471	Chip, 470Ω 1/10W	
R321	ERJ6GEYJ471	Chip, 470Ω 1/10W	
R322	ERJ6GEYJ473	Chip, 47kΩ 1/10W	
R324	ERJ6GEYJ473	Chip, 47kΩ 1/10W	
R325	ERJ6GEYJ473	Chip, 47kΩ 1/10W	
R326	ERJ6GEYJ473	Chip, 47kΩ 1/10W	
R327	ERJ6GEYJ473	Chip, 47kΩ 1/10W	
R328	ERJ6GEYJ473	Chip, 47kΩ 1/10W	
R401	ERJ6GEYJ222	Chip, 2.2kΩ 1/10W	
R402	ERJ6GEYJ222	Chip, 2.2kΩ 1/10W	
R501	ERJ6GEYJ101	Chip, 100Ω 1/10W	
R502	ERJ6GEYJ103	Chip, 10kΩ 1/10W	
R503	ERJ6GEYJ103	Chip, 10kΩ 1/10W	
R504	ERJ6GEYJ222	Chip, 2.2kΩ 1/10W	
R505	ERJ6GEYJ103	Chip, 10kΩ 1/10W	
R601	ERJ6GEYJ123	Chip, 12kΩ 1/10W	
R602	ERJ6GEYJ103	Chip, 10kΩ 1/10W	
R603	ERJ6GEYJ273	Chip, 27kΩ 1/10W	
R604	ERJ6GEYJ103	Chip, 10kΩ 1/10W	
R605	ERJ6GEYJ183	Chip, 18kΩ 1/10W	
R606	ERJ6GEYJ393	Chip, 39kΩ 1/10W	
R607	ERJ6GEYJ103	Chip, 10kΩ 1/10W	
R608	ERJ6GEYJ472	Chip, 4.7kΩ 1/10W	
R609	ERJ6GEYJ472	Chip, 4.7kΩ 1/10W	
CONNECTORS			
CN1	YEA5220715	Connector, 15P	
CN101	YEA5220715	Connector, 15P	

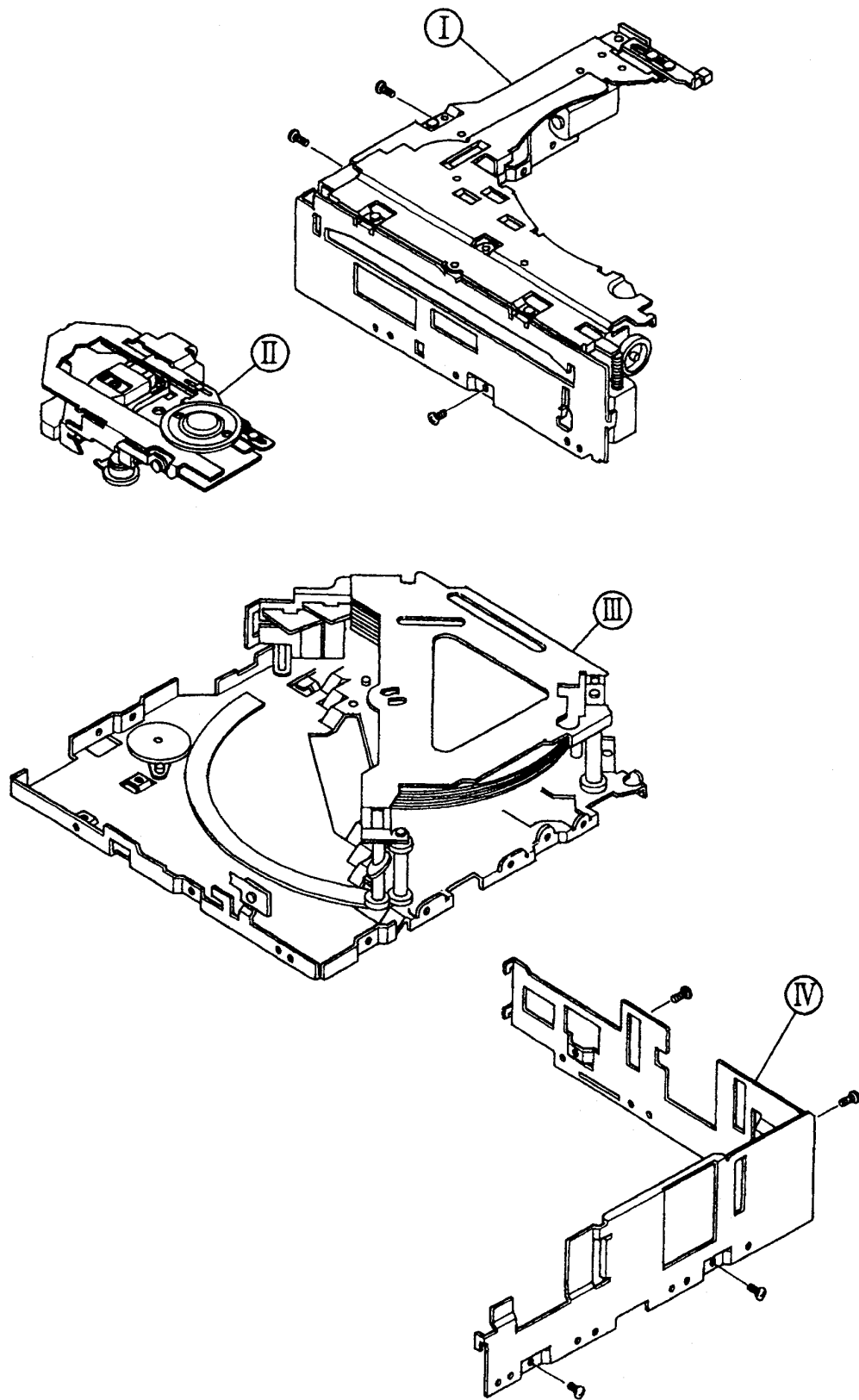
Ref. No.	Part No.	Part Name & Description	Remarks
CN301	YEAE5227112	Connector, 12P	
CN401	YEAE5220706	Connector, 6P	
CN402	YEAE5326102	Connector, 2P	
CN501	YEAE5227110	Connector, 10P	
SWITCHES			
SW10	ESE102MH4	Switch	
SW11	ESE102MH4	Switch	
SW12	ESE102MH4	Switch	
SW13	ESE102MH4	Switch	
COIL			
L101	YELTLM41P750	Coil	
CRYSTALS			
XL201	H2D169500001	Crystal	
XL301	YEXLSTCC737T	Crystal	
[E2682]			
DIODE			
D1	ON1004	Diode	
SWITCHE			
SW1	ESE102MH4	Switch	
[E2684B]			
DIODES			
D1	LN01201C	Diode	
D2	LN01201C	Diode	
D3	LN01201C	Diode	
[E2685B]			
IC's and TRANSISTORS			
Q1	PNZ14700R	Transistor	
Q2	PNZ14700R	Transistor	
Q3	PNZ14700R	Transistor	
DIODE			
D1	ON1004	Diode	
SWITCHE			
SW4	ESE102MH4	Switch	
CONNECTOR			
JD1	YEAE5227106	Connector, 6P	
Mechanical Parts			
MISCELLANEOUS			
3	K1LA02A00021	Cord w/Connector	(4-A)
4	YEAP2683	Suspension FPC	(1-E)
5	YEATSD00405	Terminal	(1-F)
6	YEFA011711G	Upper Chassis Ass'y	(3-B)
7	YGFA011713A	Side Chassis (R)	(1-C)
8	YEFA011714D	Side Chassis (L) Ass'y	(4-A)
9	YEFA011716	Suspension Chassis Ass'y	(1-D)
10	YEFA011718A	Suspension Chassis (Bottom) Ass'y	(1-D)
11	YEFA011720B	Swing Chassis Ass'y	(3-D)

Ref. No.	Part No.	Part Name & Description	Remarks
12	YEFA011722	Stocker Plate Ass'y	(4-F)
13	YGFA011858B	Main Chassis Ass'y	(3-E)
14	YEF04707	Damper	(4-D)
16	YEFV011897	Insulator	(2-F)
17	YEFW04158	Bearing	(3-D)
18	YEFW04159A	Roller Shaft Holder(L)	(2-B)
19	YEFX04161A	Feed Screw Housing	(1-E)
20	YGF05412	Disc Collar	(2-B)
22	YEFW062351	Disc Roller Shaft	(2-A)
23	YEFX062461B	Roller Shaft Ass'y	(2-B)
24	YEFX003872	Elevator Gear (1)	(3-F)
25	YEFX003873	Elevator Gear (2)	(2-F) (3-F)
26	YEFX003874	Elevator Gear (3)	(3-E)
27	YEFX003875	Elevator Gear (4)	(3-E) (2-F)
28	YEFX003877	Traverse Gear (2)	(2-D)
29	YEFX003878A	Traverse Gear (3)	(2-D)
30	YEFX003879	Traverse Gear (4)	(1-D)
31	YEFX003882A	Stocker Cam Gear (1)	(3-F)
32	YEFX003883B	Stocker Cam Gear (2)	(3-E) (2-F)
33	YEFX003884	Stocker Cam Gear (3)	(3-E) (2-F)
34	YGF0031007	Disc Hold Gear	(3-F)
35	YEFX0031057	Load Gear	(3-B)
36	YEFX003891A	Push Gear (1)	(3-B)
37	YEFX0031003	Push Gear (2)	(3-B)
38	YEFX003894	Horizontal Cam Gear (1)	(3-D)
39	YEFX003895	Horizontal Cam Gear (2)	(2-E)
40	YEFX003896	Horizontal Gear (1)	(3-E)
41	YEFX003897A	Horizontal Gear (2)	(3-E)
42	YEFX003898	Horizontal Gear (3)	(3-E)
43	YEFX003899B	Horizontal Gear (4)	(3-D)
44	YEFX003929	Horizontal Cam Gear (3)	(3-E)
45	YEFX003931	Horizontal Gear (5)	(3-D) (2-D)
46	YEFX003932A	Push Cam Gear	(3-B)
47	YEFX0052269	FPC Hold Spring	(2-D)
48	YEFX0052272	Guide Spring (B)	(1-B)
49	YEFX0052274B	Suspension Lock Spring	(3-D)
50	YEFX0052275A	Swing Spring	(3-D)
51	YEFX0052276A	Stocker Spring (1)	(4-D) (4-E)
52	YEFX0052277	Stocker Spring (2)	(4-D) (4-E)
53	YEFX0052278	Thrust Spring	(1-E)
54	YEFX0052279	Sencer Lever Spring	(1-E) (1-F)
55	YGF0052449A	Damper Spring	(4-D)
56	YEFX0052447	Balance Spring (1)	(3-D)
57	YEFX0052284	Push Spring	(3-A)
58	YEFX0052285A	Spring	(4-B)
59	YGF0052499	Roller Hold Spring(L)	(2-B)
60	YEFX0052527	Roller Hold Spring(R)	(2-B)
61	YEFX0052289A	Push Lever Spring	(4-E)
62	YEFX0052290A	Feeder Spring	(4-B)
63	YEFX0052291B	Push Plate Spring	(3-B)
64	YEFX0052292A	Change Spring	(1-D)
65	YEFX0052335	Guide Spring (F)	(2-B)
66	YGF0052595	Stocker Thrust Spring	(4-E) (3-F)
67	YEFX0052495	Damper Spring (R)	(4-D)
68	YGF0052494	Damper Spring (L)	(4-D)
69	YEFX0052445	Lock Spring	(3-A)
70	YEFX018552	Travese Motor Bracket Ass'y	(2-E)
71	YEFX018553D	Guide (F) Bracket	(3-E)
72	YEFX018595	Guide (B)	(3-D)
73	YEFX018556	Bearing Bracket	(3-D)
74	YEFX018596	Stopper Plate	(1-D)
75	YEFX018638	Gear Bracket Ass'y	(2-D)
76	YEFX018600A	Elevator Motor Bracket	(3-F)
77	YEFX0461903A	Guide Lever (B) Ass'y	(3-D)
78	YEFX0461905A	Guide Lever (F) Ass'y	(3-E)
79	YEFX0461914B	Senser Cover	(1-F)

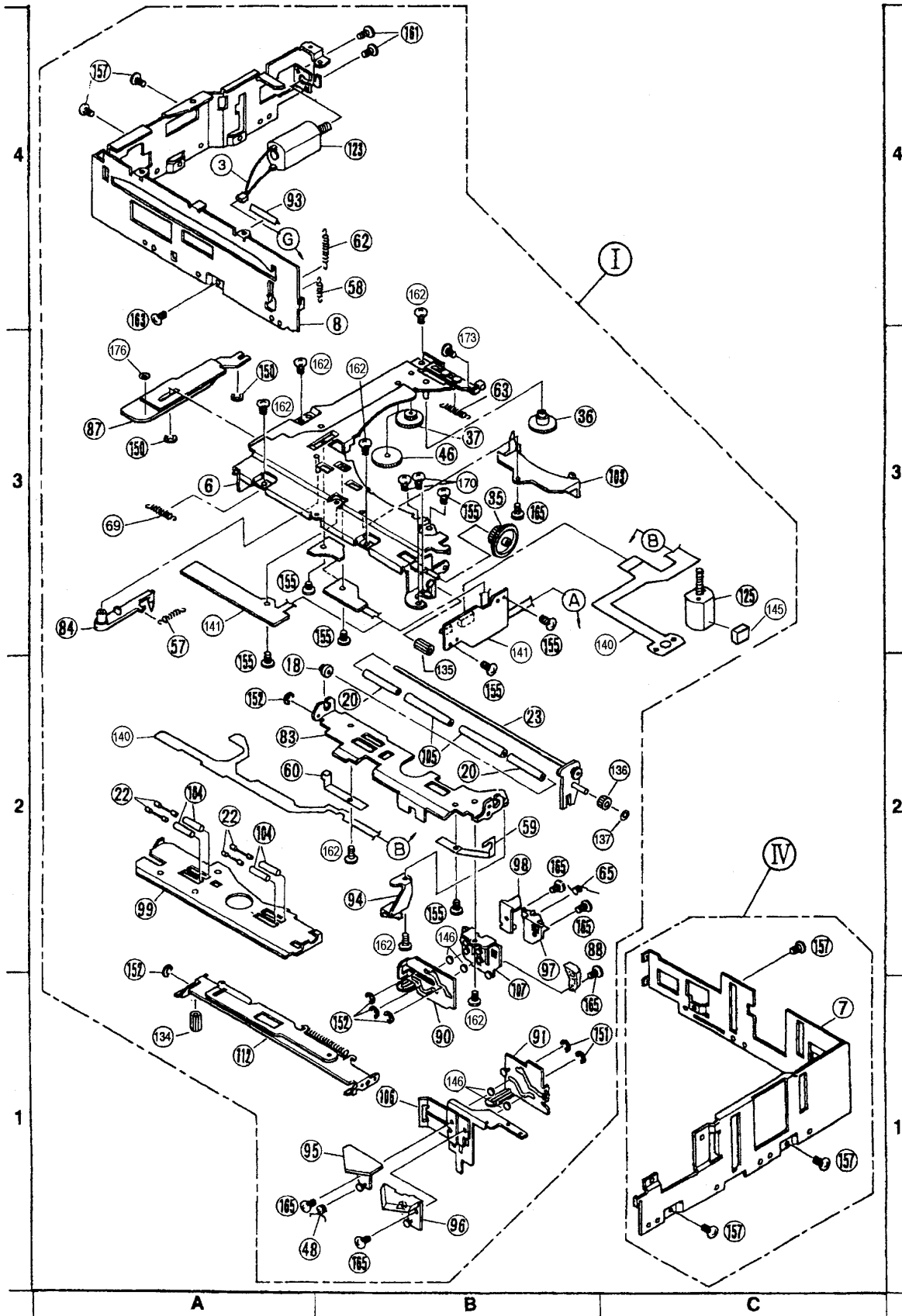
Ref. No.	Part No.	Part Name & Description	Remarks
80	YEFX0461917	Stocker Rack	(4-F)
81	YEFX0461918	Senser Lever (B)	(2-E)
82	YEFX0461919A	Sneser Lever (FA)	(1-F)
83	YEFX0461922D	Feeder Plate	(2-B)
84	YGFX0462143	Push Lever	(3-A)
85	YEFX0461926A	Rack Lever	(3-F)
86	YEFX0461931A	Push Lever	(4-E)
87	YGFX0462062B	Escape Lever (1)	(3-A)
88	YEFX219129	Guide (F)	(2-B)
90	YEFX0462002C	Guide Cam Plate (F)	(1-B)
91	YEFX0462003B	Guide Cam (B) Plate Ass'y	(1-B)
92	YEFX0462026	Lever Guide Plate Ass'y	(2-D)
93	YEFX02342	Felt	(4-A)
94	YEFX0462029	Feeder Guide Plate Ass'y	(2-B)
95	YEFX206135C	Guide (BL)	(1-B)
96	YEFX206136D	Guide (BU)	(1-B)
97	YEFX206137A	Guide (FL)	(2-B)
98	YEFX206138C	Guide (FU)	(2-B)
99	YEFX206139E	Disc Guide	(2-A)
100	YEFX206140	Traverse Guide	(1-D)
101	YEFX206141A	FPC Guide	(1-D)
102	YEFX206143	Disc Guide (S)	(2-D)
103	YEFX206144	Disc Guide (U)	(3-B)
104	YEFX218296	Disc Roller	(2-A)
105	YEFX218299	Disc Roller	(2-B)
106	YEFX219124A	Guide (B) Base Ass'y	(1-B)
107	YEFX219126D	Guide Base (F) Ass'y	(2-B)
108	YEFX233504A	Stocker Tray Housing	(4-D)
109	YGFX233521	Disc Holder (L)	(3-F)
110	YEFX233506	Disc Holder (U)	(4-E)
111	YEFX234192	Elevator Cam	(2-E)
112	YEFX249486	Feeder Arm Ass'y	(1-A)
113	YEFX9992184	Suspension Balancer 1	(1-D)
114	YEFX9992237	Stocker Tray	(4-D)
115	YEFX9991903	Feed Screw Guide	(1-E)
120	YEJT03220	Feed Screw Ass'y	(1-D)
121	YEP0FX4078	Optical Pick-up Ass'y	(1-E)
122	YGP0FX3633	Spindle Motor Ass'y	(1-E)
123	YEP0FX3661S	Horizontal Motor Ass'y	(4-A)
124	YEP0FX3660S	Vertical Motor Ass'y	(3-F)
125	YEP0FX3662S	Loading Motor Ass'y	(3-C)
126	YEP0FX3663S	Traverse Motor Ass'y	(2-E)
134	YEFX218308	Roller	(1-A)
135	YEFX0031053	Load Gear	(2-B)
136	YEFX0031054	Load Gear	(2-C)
137	YEFX014040	Retaining Ring, 2mm	(2-C)
138	YGP0PT8586A2	PCB w/Component	RTL
139	YGP0PT2682A0	PCB w/Component	RTL
140	YGP0PT2684A0	PCB w/Component	RTL
141	YGP0PT2685A0	PCB w/Component	RTL
142	YEFX0052448	Spring	(3-D)
143	YEFX9992193	Suspension Balancer 3	(1-D)
144	YEFX9992192A	Suspension Balancer 2	(1-D)
145	YGFS011864	Pad	(3-C)
146	YEFW04181	Guide Plate Collar	(1-B)
150	XUC2V	Retaining Ring, 2mm	
151	YGJE01044	Retaining Ring	
152	XUC15V	Retaining Ring, 1.5mm	
153	YGFX014047	Retaining Ring	
154	YEJS06097A	Screw, 2mm * 2.5mm	
155	YEJS06173	Screw	
156	YEJS06220	Screw	
157	YEJT03216	Tapping Screw	
158	XQN14+C18FX	Screw, 1.4mm * 1.8mm	
159	XQN17+A2FX	Screw, 1.7mm * 2mm	
160	XQN2+A2FX	Screw, 2mm * 2mm	
161	XQN2+C25FX	Screw, 2mm * 2.5mm	
162	XSB2+3FX	Screw, 2mm * 3mm	
163	XSB26+3FX	Screw, 2.6mm * 3mm	
164	XYN2+C3FX	Screw, 2mm * 3mm	
165	XYN2+C4FX	Screw, 2mm * 4mm	

Ref. No.	Part No.	Part Name & Description	Remarks
166	XSB2+4FX	Screw, 2mm * 4mm	
167	XYN2+J5FX	Screw, 2mm * 5mm	
168	XYN2+C6FX	Screw, 2mm * 6mm	
169	XYN2+C10FX	Screw, 2mm * 10mm	
170	XQN2+C2FX	Screw, 2mm * 2mm	
171	YEJT03129	Tapping Screw, 2mm * 4mm	
173	YEJS06244	Screw	
174	YEJS06242	Screw	
175	XYN2+C8FX	Screw, 2mm * 8mm	
176	YGFX0051590	Retaining Ring	

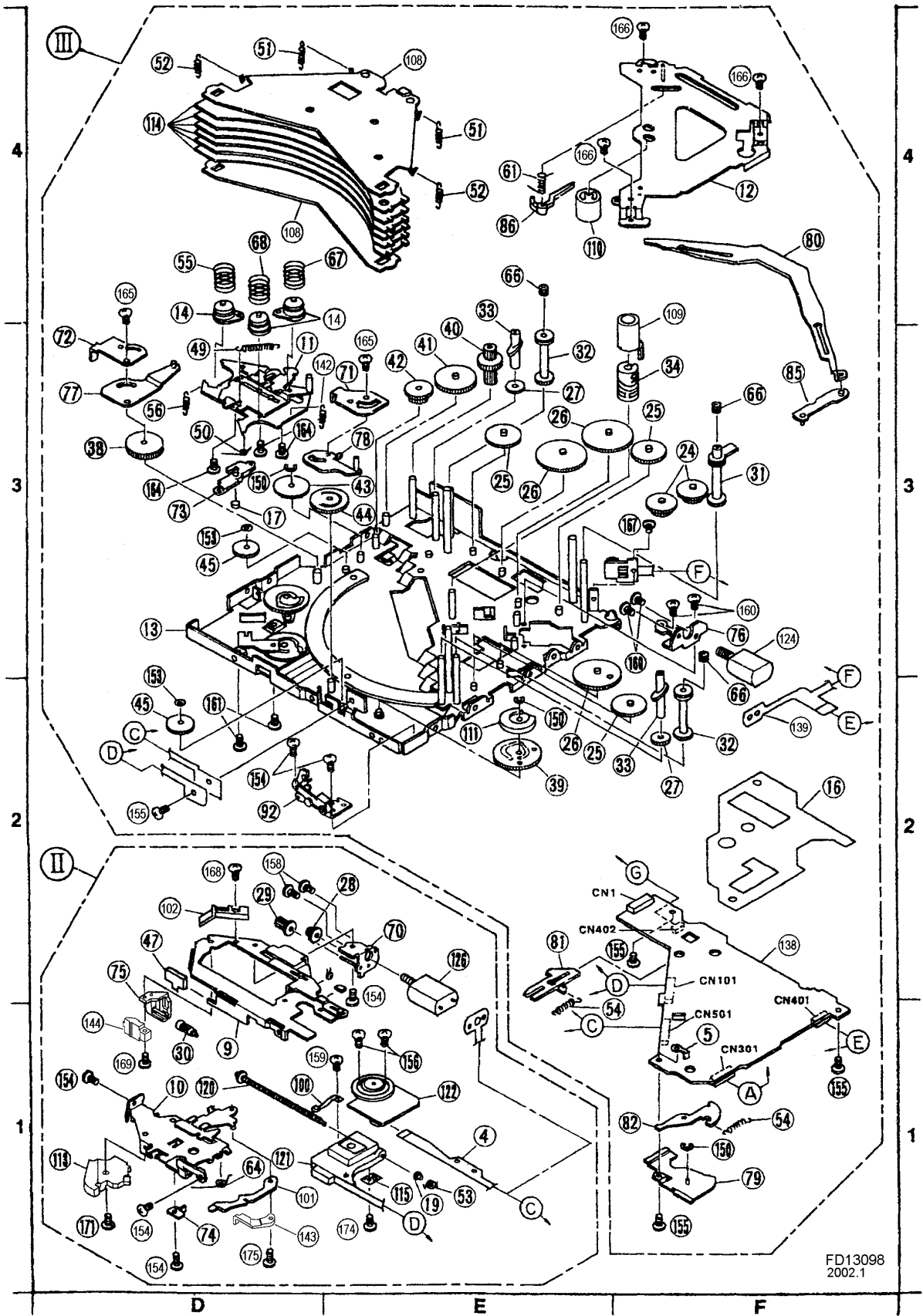
16 EXPLODED VIEW (CD Deck-1)



17 EXPLODED VIEW (CD Deck-2)



18 EXPLODED VIEW (CD Deck-3)



FD13098
2002.1

19 TAPE PLAYER PARTS

19.1. IC's and Transistors

DOLBY BLOCK [E8790A]

Ref. No.	Part No.	Part Name & Description	Remarks
IC1	YEAMCXA2565Q	IC	
Q401	YEANC114YKT	Transistor	

19.2. Diodes

REEL BLOCK [E8791]

Ref. No.	Part No.	Part Name & Description	Remarks
TE1,2	YEADRP1221	Diode	

19.3. Capacitors

DOLBY BLOCK [E8790A]

Ref. No.	Part No.	Part Name & Description	Remarks
C201, 202	YECUS1H331JM	Ceramic, 330PF 50WV	
C204	YECUS1H123KX	Ceramic, 0.012µF 50WV	
C205	YECUS1E333KX	Ceramic, 0.033µF 25WV	
C206	YECUS1C104KX	Ceramic, 0.1µF 16WV	
C301, 302	YECUS1H331JM	Ceramic, 330PF 50WV	
C304	YECUS1H123KX	Ceramic, 0.012µF 50WV	
C305	YECUS1E333KX	Ceramic, 0.033µF 25WV	
C306	YECUS1C104KX	Ceramic, 0.1µF 16WV	
C401	ECA1CSA220I	Electrolytic, 22µF 16WV	
C402	ECEA1AKS330I	Electrolytic, 33µF 10WV	
C403	YECUV2A103KX	Ceramic, 0.01µF 100WV	
C404	YECUS1E333KX	Ceramic, 0.033µF 25WV	
C405	ECA1HSAR33I	Electrolytic, 0.33µF 50WV	
C406	YECUS1H472KX	Ceramic, 0.0047µF 50WV	
C407	ECEA1CKS100I	Electrolytic, 10µF 16WV	
C409	YECUS1H472KX	Ceramic, 0.0047µF 50WV	
C501	YECUV1E334ZF	Ceramic, 0.33µF 25WV	

REEL BLOCK [E8791]

Ref. No.	Part No.	Part Name & Description	Remarks
C1 to 3	YECUS1H471JM	Ceramic, 470PF 50WV	

19.4. Resistors

DOLBY BLOCK [E8790A]

Ref. No.	Part No.	Part Name & Description	Remarks
R201, 202	ERJ6GEYJ683	Chip, 68kΩ 1/10W	
R207	ERJ8GEYJ181V	Chip, 180Ω 1/8W	
R301, 302	ERJ6GEYJ683	Chip, 68kΩ 1/10W	
R307	ERJ6GEYJ181	Chip, 180Ω 1/10W	
R402	ERJ6GEYJ183	Chip, 18kΩ 1/10W	
R403	ERJ6GEYJ473	Chip, 47kΩ 1/10W	
R404	ERJ8GEYJ334V	Chip, 330kΩ 1/8W	
R405	ERJ8GEYJ392V	Chip, 3.9kΩ 1/8W	
R406	ERJ6GEYJ273	Chip, 27kΩ 1/10W	
R408	ERJ8GEYJ223V	Chip, 22kΩ 1/8W	
R409	ERJ6GEYJ273	Chip, 27kΩ 1/10W	
R501	ERJ6GEYJ472	Chip, 4.7kΩ 1/10W	

REEL BLOCK [E8791]

Ref. No.	Part No.	Part Name & Description	Remarks
R1,2	ERJ8GEYJ683V	Chip, 68kΩ 1/8W	
R3	ERJ6GEYJ472	Chip, 4.7kΩ 1/10W	
R4 to 6	ERJ8GEYJ472V	Chip, 4.7kΩ 1/8W	
R7, 8	ERJ8GEYJ821V	Chip, 820Ω 1/8W	

19.5. Connectors

DOLBY BLOCK [E8790A]

Ref. No.	Part No.	Part Name & Description	Remarks
CN1	YEAE012385	Connector, 17P	
CN3	YEAESLW05R1	Connector, 5P	

REEL BLOCK [E8791]

Ref. No.	Part No.	Part Name & Description	Remarks
CN2	YEAE0110TKCR	Connector, 10P	
JP3	YGAJ071387A	CORD W/Connector	

19.6. Electric Parts

SWITCHES

Ref. No.	Part No.	Part Name & Description	Remarks
SW1	K0J1CB00001	Switch	
SW2	YEAS07174	Switch	
SW3	YEAS08042	Switch	
SW4	YEAS07174	Switch	
SW5	EVQWJE001	Rotary Switch	

VARIABLE RESISTORS

Ref. No.	Part No.	Part Name & Description	Remarks
VR201, 301	EVNDXAA00B13	Variable Resistor	

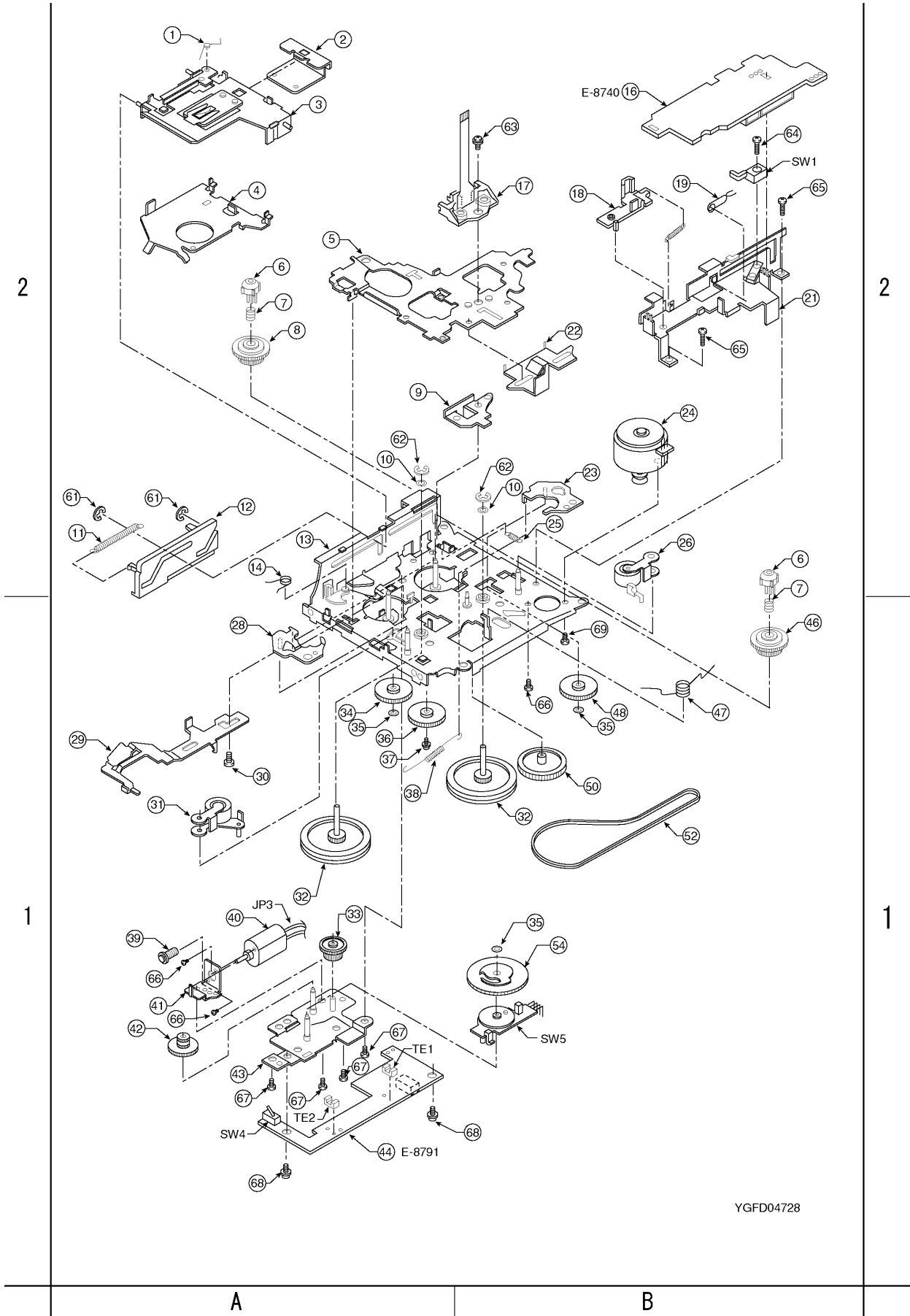
19.7. Mechanical Parts

MISCELLANEOUS

Ref. No.	Part No.	Part Name & Description	Remarks
1	YGFX0052472	Lock Plate Spring	
2	YGFX0052454	Spring	
3	YGFX0462100	Cassette Holder (U) Ass'y	
4	YGFX0462104	Cassette Holder (L)	
5	YGFA011830	Head Chassis Ass'y	
6	YGFX234194	Cam	
7	YGFX0052427	Back Tension Spring	
8	YGFX209271	Reel (R) Ass'y	
9	YGFX0052471	Holding Spring	
10	YGJW04131	Washer	
11	YGFX0052475	Lack Plate Spring	
12	YGFX0031035	Lack Plate	
13	YGFA011827	Main Chassis Ass'y	
14	YGFX0052444	EQ Lever Spring	
16	YGP0PT8790A0	Dolby P.C.B. Ass'y	
17	L1AC00000013	Head Ass'y	
18	YGFX0462105	Lever	
19	YGFX0052478	Vibration-proof Spring	
20	YGFX0052477	Spring	
21	YGFX239470	Cassette Guid Plate	
22	YGFX0462097	PRO Change Plate	
23	YGFX0031031	Idler Gear Plate (F) Ass'y	
24	YGP0FX3845	Main Motor Ass'y	
25	YGFX0052474	Lack Return Spring	
26	YGFX218305	Pinch Roller (F) Ass'y	
28	YGFX0031033	Idler Gear Plate (R) Ass'y	
29	YGFX0462102	Lack Return Link	
30	YGF062600	Lack Return Link Shaft	
31	YGFX218306	Pinch Roller (R) Ass'y	
32	YGFX213213	Flywheel Ass'y	
33	YGFX0031001	Drive Gear (2)	
34	YEFX003753B	Play Idler Gear	
35	YGFX014075	Lock Ling	
36	YGFX003970	Gear	
37	YGJT03250	Gear Shaft	
38	YGFX0052446	Idler Gear Plate Spring	
39	YGFX0031030	Worm Gear	
40	YGP0FX3846	Loading Motor Ass'y	
41	YGFX030102	Worm Gear Stopper	
42	YGFX0031026	Drive Gear (3)	

Ref. No.	Part No.	Part Name & Description	Remarks
43	YGFA011851	Drive Chassis Ass'y	
44	YGPOPT8791A0	Reel P.C.B. Ass'y	
46	YGFX209270	Reel (F) Ass'y	
47	YGFX0052473	Pinch Roller Spring	
50	YGFX003971	PRO Change Gear	
52	YEFR03083	Belt	
54	YGFX0031029	Drive Gear	
61	YEJE01004	E-Ring	
62	YEJE01036	E-Ring	
63	XYN2+J6FX	Screw, 2 x 6mm	
64	XYN2+C8FX	Screw, 2 x 8mm	
65	YEJT03167	Screw,	
66	YEJS06097A	Screw, 2 x 2.5mm	
67	YEJT03271	Screw,	

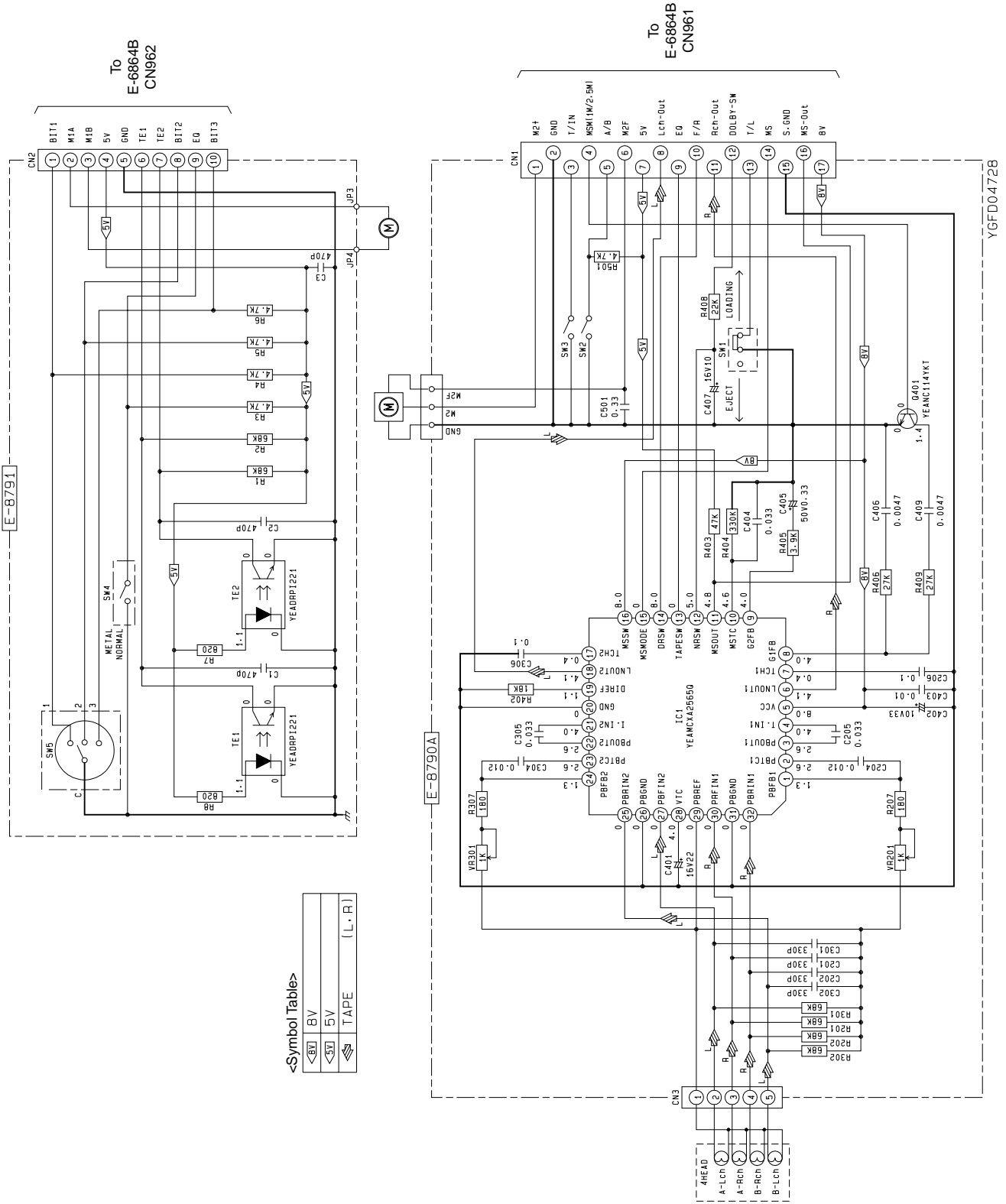
20 EXPLODED VIEW (Tape Deck)



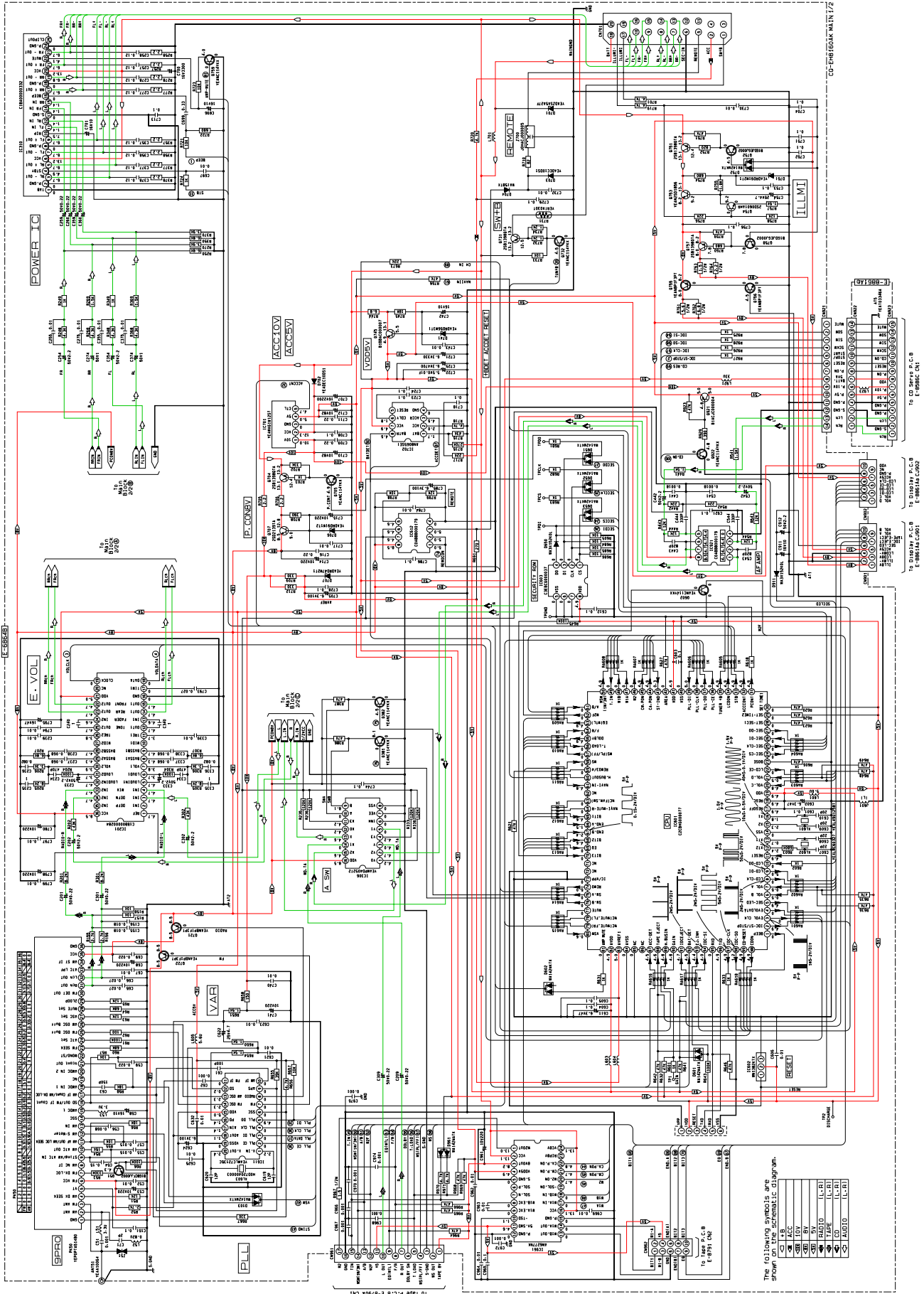
YGFD04728

22 SCHEMATIC DIAGRAM (1)

22.1. Tape Block



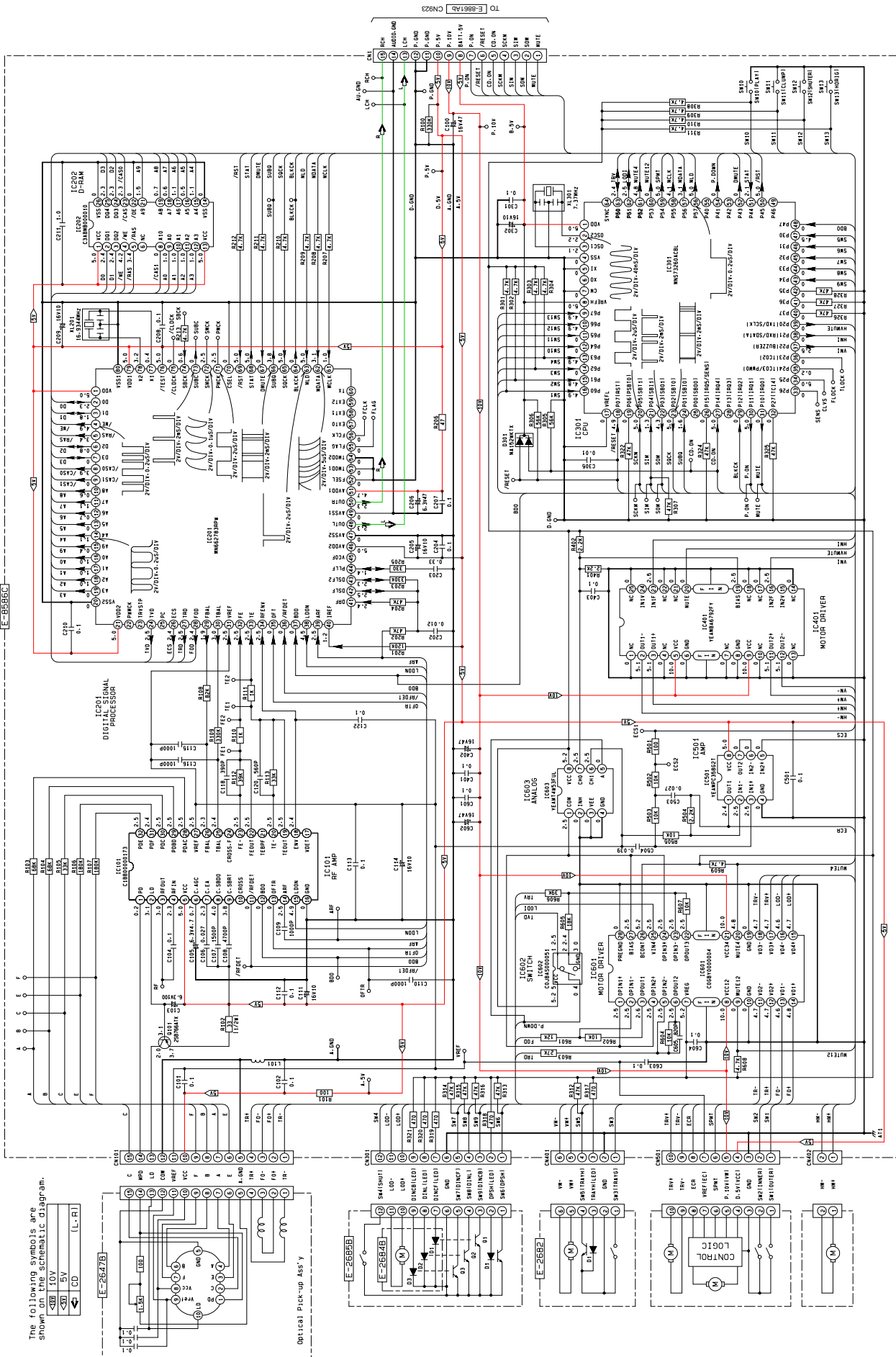
23.2. Main Block -1



23.4. CD Servo Block

The following symbols are shown on the schematic diagram.

- <DB 10V
- <SB 1.5V
- <LCD (L,R)



Free Manuals Download Website

<http://myh66.com>

<http://usermanuals.us>

<http://www.somanuals.com>

<http://www.4manuals.cc>

<http://www.manual-lib.com>

<http://www.404manual.com>

<http://www.luxmanual.com>

<http://aubethermostatmanual.com>

Golf course search by state

<http://golfingnear.com>

Email search by domain

<http://emailbydomain.com>

Auto manuals search

<http://auto.somanuals.com>

TV manuals search

<http://tv.somanuals.com>