

**User Guide
Guide de l'utilisateur
Guía del Usuario**

INSIGNIA™

**CD/MP3 Car Deck
L'autoradio Lecteur de CD/MP3
Unidad de CD/MP3 para Auto
NS-C3112**

Insignia NS-C3112 CD/MP3 Car Deck

Contents

Introduction	1
Safety information	2
Features	6
Installing your car deck	11
Removing your car deck	16
Using your car deck	17
Maintaining your car deck	30
Troubleshooting	32
Specifications	34
Copyright	36
Warranty	37
Français	41
Español	87

Introduction

Congratulations on your purchase of a high-quality Insignia product. Your NS-C3112 CD/MP3 Car Deck represents the state of the art in car stereos, designed for reliable and trouble-free performance.

Safety information

Electric shock warning



CAUTION
Risk of Electric Shock
Do Not Open



Warning

To reduce the risk of electric shock, do not remove the cover or back. There are no user-serviceable parts inside. Refer servicing to qualified service personnel.



This lightning flash with arrowhead symbol within an equilateral triangle is intended to alert the user to the presence of uninsulated dangerous voltage within the car deck's enclosure that may be of sufficient magnitude to constitute a risk of electric shock to persons.



The exclamation point within an equilateral triangle is intended to alert the user to the presence of important operating and maintenance (servicing) instructions in the literature accompanying the car deck.

Warning

To prevent fire or electric shock hazard, do not expose this car deck to rain or moisture.

Caution

The car deck should not be exposed to water (dripping or splashing) and no objects filled with liquids, such as vases, should be placed on the car deck.

Read and follow instructions

Read all safety and operating instructions before operating your car deck.

Follow all operating and use instructions.

Retain instructions

Keep the safety and operating instructions for future reference.

Heed warnings

Follow all warnings on your car deck and in the operating instructions.

Accessories

Use only attachments and accessories specified.

Vents and radiator panels

Do not block vents or radiator panels. Blocking will cause heat to build up inside and may result in fire.

Object and liquid entry

Do not push objects through any openings in your car deck because they may touch dangerous voltage points or short out parts that could result in fire or electric shock. Never spill or spray any type of liquid into your car deck.

Damage requiring service

Do not try to service your car deck yourself. Opening or removing covers may expose you to dangerous voltage or other hazards. Refer servicing to qualified service personnel under the following conditions:

- When the wiring is damaged.
- If liquid has been spilled, or objects have fallen, into your car deck.
- If your car deck has been exposed to rain or water.
- If your car deck does not operate normally by following the operating instructions. Adjust only those controls that are covered by the operating instructions because an incorrect adjustment of other controls may result in damage and will often require extensive work by a qualified technician to restore your car deck to its normal operation.

Replacement parts

When replacement parts are required, make sure that the service technician uses replacement parts specified by Insignia or those that have the same characteristics as the original part. Unauthorized substitutions may result in fire, electric shock, or other hazards.

Safety check

Upon completion of any service or repairs to your car deck, ask the service technician to perform safety checks to determine that your shelf system is in correct operating condition.

Disc slot

Keep your fingers clear of the disc slot while it is closing. You may injure yourself.

Disc

Do not use cracked, deformed, or repaired discs. These discs are easily broken and may cause serious personal injury and product malfunction.

Equipment classification

This is classified as Class II equipment, which means that the car deck has a double-insulation system.



Invisible laser radiation possible when open and interlock failed or defeated. Avoid direct exposure to laser beam.

Laser safety

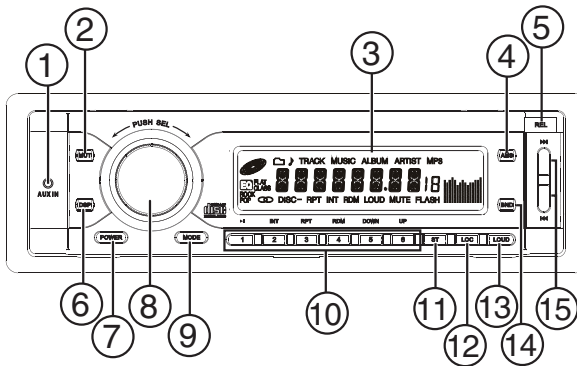
This car deck employs an optical laser beam system in the CD mechanism designed with built-in safeguards. Do not try to disassemble. Refer to qualified service personnel. Exposure to this invisible laser light beam may be harmful to the human eye.

This is a Class 1 laser product. Using controls, adjustments, or procedures other than those specified herein may result in hazardous laser light beam exposure.

Features

Controls

Front panel

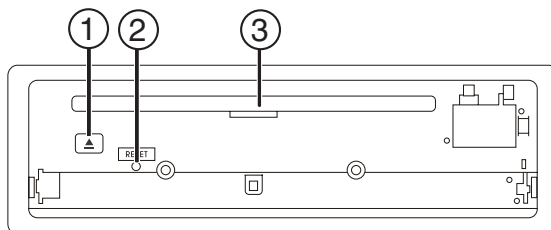


#	Control	Description
1	Aux In Slot	Use to connect an external auxiliary source.
2	MUTE button	Press to cut off the sound output. Press again to resume sound.
3	LCD panel	LCD shows current status.

#	Control	Description
4	AMS button	While in radio mode, press quickly to scan each stored station for five seconds. Press and hold to activate automatic station storage.
5	RELEASE button	Press to release the front panel.
6	DISPLAY button	Press to display the time.
7	Power button	Press to turn on the car deck. Press and hold to turn off the car deck.
8	VOL/SEL knob	Rotate to adjust the volume. Press to set sound characteristics.
9	MODE button	Press to select mode: <ul style="list-style-type: none"> • Radio • Playback • Aux In (external source)
10	Number buttons	While in radio mode, press for preset tuning. While in playback mode, press to activate functions: <ul style="list-style-type: none"> • INT (Intermittent) • RPT (Repeat) • RDM (Random) • DOWN • UP
11	ST button	While in radio mode, press to move between mono and stereo.
12	LOC button	While in radio mode, press to move between distant and local stations.

#	Control	Description
13	LOUD button	Press and release quickly to activate the loud function.
14	BAND button	While in radio mode, press to select band.
15	Select Station/Track buttons ◀◀ ▶▶	While in radio mode, press for to select station. Press three times to search stations automatically. While in playback mode, press to select tracks. Press and hold for fast forward or fast reverse.

Back



#	Control	Description
1	EJECT button	Press to eject the compact disc after releasing the front panel.
2	RESET button	Press to set the car deck back to initial factory settings.
3	Disc loading slot	Insert disc in this slot for playback.

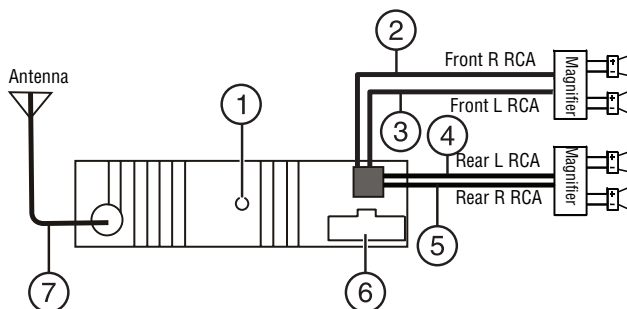
Wiring

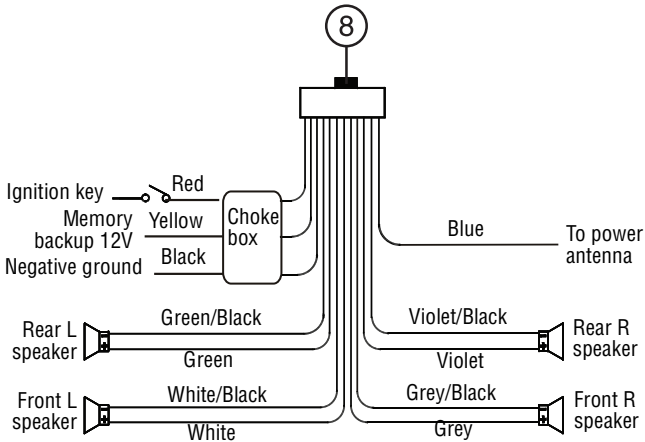
Caution

Make sure that you connect the color-coded leads according to the diagram. Incorrect connections may cause the car deck to malfunction or damage the vehicle's electrical system.

Be sure to connect the (-) speaker leads to the (-) speaker terminal. Never connect the left and right channel speaker cables each other or to the vehicle body.

Make sure all the connections are completely correct before turning on your car deck.





#	Connection
1	Screw holes
2	Front right RCA jack
3	Front left RCA jack
4	Rear left RCA jack
5	Rear right RCA jack
6	Output jack
7	Antenna receptacle
8	Output plug for output jack

Installing your car deck

Attaching the mounting case

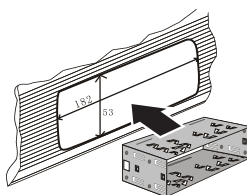
There are two methods for installing your car deck:

- the DIN front-mount method
- the screw-mount method.

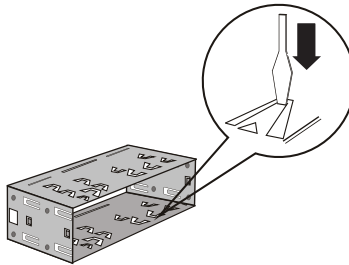
The screw-mount method uses only the screw holes at the sides of the car deck.

To install your car deck using the DIN front-mount method:

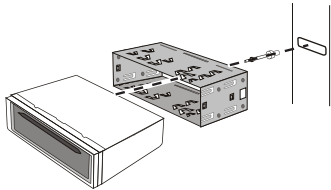
- 1 Insert the mounting case into the car deck opening.



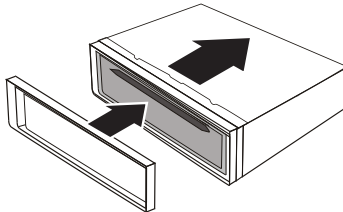
- 2** Bend the mounting tabs outward until the mounting case is secure.



- 3** Attach the mounting case to the firewall for additional support.

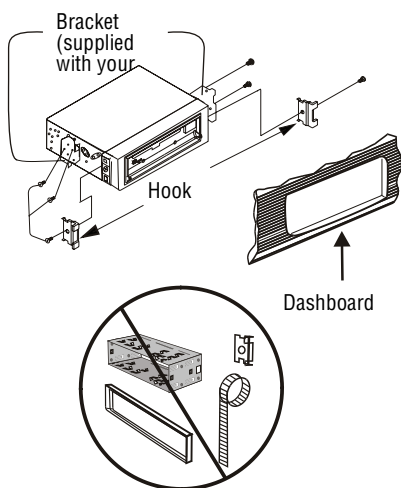


- 4** Slide the car deck into the mounting case and attach face plate to the front of the car deck.



To install your car deck using the screw-mount method:

- 1** Remove the hooks on both sides of the car deck.
- 2** Align the two screw holes on each side of the car deck with the screw holes of the mounting bracket (supplied with the vehicle), then tighten the screws to secure the car deck.

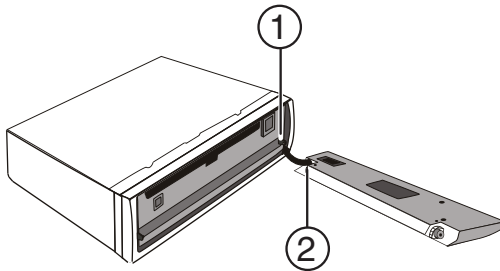
**Note**

Outer trim frame, hook, and mounting case are not used for installation.

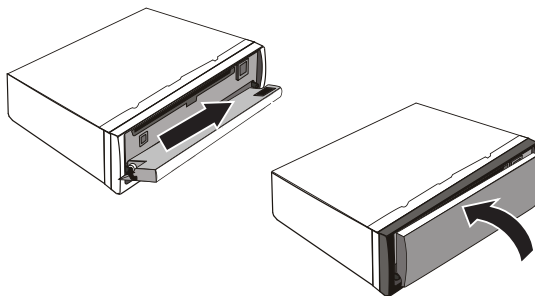
Installing and removing the face plate

To install the face plate:

- 1 Align face plate by securing the notch (2) to the shaft (1) and pressing the face plate into the right side.

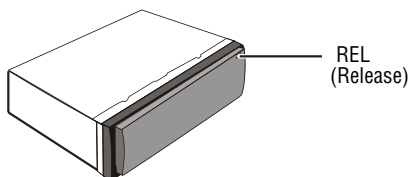


- 2 To secure the face plate to the front of the car deck, slide the face plate to the right and up.

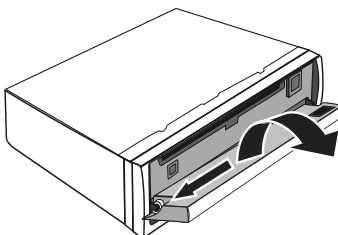


To remove the face plate:

- 1** Press the **REL** button located at the upper right corner of the car deck. The face plate releases and folds down.



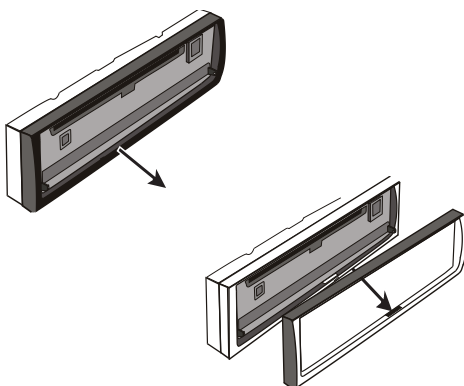
- 2** Hold the face plate at a 45-degree angle and slide it to the left to remove.



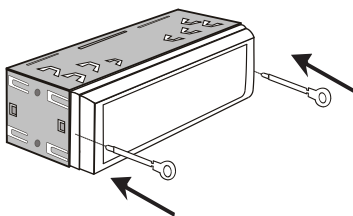
Removing your car deck

To remove your car deck from the vehicle:

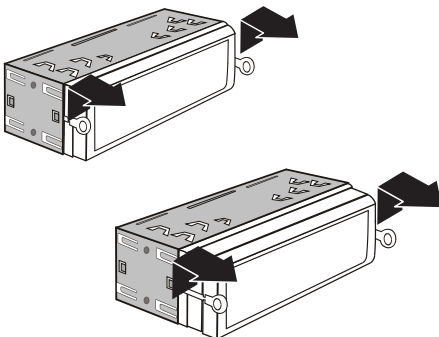
- 1** Remove the face plate.
- 2** If the outer trim frame is used, remove it by pulling it straight out.



- 3** Insert the keys supplied with the car deck at both sides of the car deck until you hear them click.



- 4 Pull the keys straight toward you to remove the car deck and mounting case from the dashboard.



To install your player using the screw method:

- Remove the hooks on both sides of the player.

Using your car deck

Operating the car deck

The display changes according to the button pressed or feature selected.

To turn the tuner on and off:

- 1 Press **POWER** to start the tuner.
OR, insert a CD in the disc slot with the power off.

The CD/MP3 player will begin playing.

- 2 Press and hold **POWER** to turn the car deck off completely.

To adjust the sound:

- 1 Rotate **VOL/SEL** clockwise to increase the volume.
- 2 Rotate **VOL/SEL** counterclockwise to decrease the volume.

To reset the car deck:

- 1 When operating the car deck for the first time or after replacing the car battery, restart the car deck by pressing **RESET** with a pointed object.
- 2 Press **RESET** when errors occur in the display. The clock setting and some memorized features will be erased.

To eject a stuck disc:

- 1 If a disc becomes stuck in the car deck and **EJECT** does not release it, press **MODE** to change to radio mode.
- 2 Release the face plate, then press and hold **EJECT** for three seconds. The disc ejects.

To use auxiliary in:

- 1 Insert the audio plug for an external device in the **Aux In** slot on the front of the car deck. The volume increases.
- 2 Remove the external device to resume normal volume.

To display and adjust the time:

- 1** Press **DISPLAY** to show the current time on the LCD. After displaying the time for five seconds, the LCD returns to its normal status.
- 2** To adjust the time, press and hold **DISPLAY** until the digital numbers of the clock stop blinking. Rotate **VOL/SEL**.
 - Turn clockwise to adjust hours.
 - Turn counterclockwise to adjust minutes.If there is no adjustment for five seconds, the time returns to its original display status.
- 3** Press **DISPLAY** again to save the changes to the time.

Adjusting the car deck settings

Adjusting sound

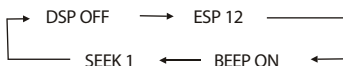
To set the sound characteristics:

- 1** Press **VOL/SEL** to show the sound modes on the LCD:
 - VOL (Volume)
 - BAS (Bass)
 - TRE (Treble)
 - FAD (Fade)
 - BAL (Balance)
- 2** Press **VOL/SEL** repeatedly to select the desired mode, then rotate **VOL/SEL** again to adjust the current level.

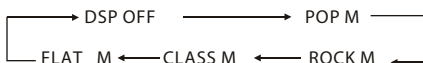
When adjusting some modes, if you do not adjust **VOL/SEL** within three seconds, the mode automatically returns to the previous level.

To set the sound display characteristics:

- 1 Press **VOL/SEL** and hold for three seconds to show the display modes on the LCD:
 - DISP OFF (In radio mode, adjusts sound quality)
 - ESP 12 (In playback mode, determines playback buffer time)
 - SEEK 1 (Adjusts the tuner seek speed)
 - BEEP ON (Turns beep on or off)



- 2 Press **VOL/SEL** repeatedly to select the desired mode, then rotate **VOL/SEL** to adjust the status of the selected mode.
- 3 After selecting **DISP OFF**, the status changes to adjust the sound quality of the tuner perfectly in the following order:
 - DISP OFF
 - POP M (Pop music)
 - FLAT M (Flat music)
 - CLASSIC M (Classical music)
 - ROCK M (Rock music)



In this mode, **BAS** and **TREB** modes in the sound characteristics return to their initial settings and the **BASS** and **TREBLE** icons do not show on the LCD.

- 4 After selecting **ESP 12**, rotate **VOL/SEL** to choose one of the following to set playback buffer times (in playback mode) when playing CDs or MP3s:
 - ESP 12 (12 seconds of buffer time)
 - ESP 45 (45 seconds of buffer time)

- 5** After selecting **SEEK 1**, press **VOL/SEL** to choose a seek speed while in radio mode. The seek speed is used when searching for radio stations. There are two options:
- **SEEK 1** (Slower speed)
 - **SEEK 2** (Faster speed)
- The selected speed displays on the LCD.
- 6** After selecting **BEEP ON**, press **VOL/SEL** to enable the audio beep option. There are two choices to determine whether or not the audio beep is enabled:
- **BEEP ON**
 - **BEEP OFF**

Note

If the selection is not adjusted within 10 seconds, the setting returns to its previous mode.

Using the features

Using loudness

To turn loudness on and off:

- 1** Press **LOUD**. Loudness is turned on, which can improve sensitivity for your ears.
- 2** Press **LOUD** repeatedly to increase the low frequency until **LOUD** appears on the LCD. Press **LOUD** again to turn off loudness.

Using mute

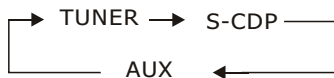
To turn mute on and off:

- 1** Press **MUTE** to shut off the sound input. **MUTE** appears on the LCD.
- 2** Press **MUTE** again to restore the volume level.

Using the mode selector

To change the mode:

- 1 Press **MODE** to display the mode selector screen on the LCD:
 - Tuner (Radio mode)
 - S-CDP (Single-disc playback mode)
 - Aux (Auxiliary mode)



- 2 Press **MODE** to change from one mode to another.

Using the radio

Band selector

To select a frequency band:

- 1 Select the radio mode, then press **BAND**. Press **BAND** again to change the setting.
- 2 Select one of the following options:
For two bands:



For three bands:



Manual/Automatic tuning

To select a tuning option:

- 1** Select the radio mode, then press one of the Select Station buttons.
- 2** For manual tuning, press a Select Station button and hold continuously to move either higher or lower on the band.
- 3** For automatic tuning, press and hold a Select Station button for three seconds. The radio automatically searches for a station either higher or lower on the band and stops to play when a station is located.

Number buttons

To use the number buttons:

- 1** In the radio mode, press one of the six number buttons to listen to a stored station.
- 2** Press and hold the number buttons to memorize stations.
 - When receiving a station's broadcast, press and hold one of the six number buttons until the number displays on the LCD. This indicates that the station is stored in memory area for the corresponding number.
 - Press **AMS** to automatically scan and store radio stations.
 - When listening to a stored radio station, press and hold another number button for two seconds to store the same station in a second number.

Scanning and memorizing stations automatically

To determine radio station reception:

- 1** Select the radio mode, then press **AMS** to scan. Each stored station plays for five seconds and then automatically moves to the next stored station.
OR, press the number buttons that correspond to the station that you want to memorize.
The selected station broadcasts.
- 2** Press and hold **AMS** for three seconds to automatically activate the memory storing function. The car deck automatically stores the selected station, which can be recalled using the number buttons.

Note

The car deck can store up to six stations for each band. The station is assigned to the next free number button from 1 to 6.

Selecting mono or stereo

To select mono or stereo:

- 1** Select the radio mode, then press **ST**. Press **ST** again to change the setting.
- 2** Select **ST** to receive stereo reception. A stereo icon displays on the LCD.
- 3** Select **MO** to receive mono reception. No icon displays on the LCD.

Using the CD/MP3 player

Playing discs

To play discs:

- 1** Insert a disc, label side up, into the disc slot.
- 2** If the car deck is not on, the car deck turns on and the disc begins playback immediately.
- 3** If a disc is already in the car deck and the radio is playing, press **MODE** to begin playback.

To repeat playback:

- 1** Press **REPEAT** to repeat playback of the current track. **RPT** displays on the LCD.
- 2** Press **REPEAT** again to cancel the repeat playback.

To pause the playback:

- 1** Press a number button to pause playback. **PAUSE** displays on the LCD.
- 2** Press the same number button again to cancel the pause.

Fast rewind/forward

To move backward or forward through the disc:

- 1** In CD playback mode, press and hold one of the **Select Track** buttons. Playback speed increases.
- 2** When the desired track is located, release the **Select Track** button.

Selecting tracks

To select tracks:

- 1** In CD playback mode, press one of the **Select Track** buttons. Playback of the current track stops and begins again at the start of the current track.
- 2** Press one of the **Select Track** buttons again within three seconds to move to the start of either the previous or next track.

Scanning tracks automatically

To scan tracks automatically:

- 1** In CD playback mode, press one of the six number buttons to playback the first ten seconds of each track on the disc. **INT** displays on the LCD, along with the track number and the elapsed time.
- 2** Press the same number button again to begin playback of the entire track. **INT** no longer displays on the LCD.

Playing tracks in random order

To playback tracks in random order:

- 1** In CD playback mode, press one of the six number buttons to playback tracks in no specific order. **RDM** displays on the LCD.
- 2** Press the same number button again to return to normal playback. The **RDM** no longer displays on the LCD.

Using number buttons

To use the number buttons:

- 1** In CD playback mode, press and hold number button **1** to playback the first track on the disc.
- 2** During MP3 playback, press and hold number button **5** to return to and playback the tenth track on the disc before the current track.
- 3** During MP3 playback, press and hold number button **6** to go forward to and playback the tenth track on the disc after the current track.

Searching MP3 tracks

In MP3 playback mode, you can search discs by track, by file, and by character. There are two methods to search the tracks on a disc:

- by increments
- by track number.

Using track search

To search MP3 tracks in increments:

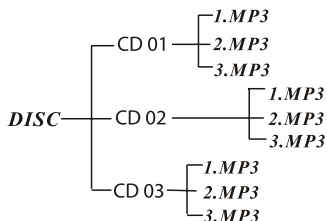
- 1** In MP3 playback mode, press **AMS** once. **TRK SCH** displays on the LCD.
- 2** Press **VOL/SEL**. **TRK 001** displays on the LCD.
- 3** Rotate **VOL/SEL** clockwise to search the disc in upward increments.
- 4** Rotate **VOL/SEL** counterclockwise to search the disc in downward increments.
- 5** When the desired track is found, press and hold **VOL/SEL** to playback the track.

To search MP3 tracks by track number:

- 1 In MP3 playback mode, press **AMS** once. **TRK SCH** displays on the LCD.
- 2 Press **VOL/SEL**. **TRK 001** displays on the LCD. The **1** in the **001** will blink twice a second.
- 3 Rotate **VOL/SEL** clockwise until the track number you want displays on the LCD.
- 4 Press and release **VOL/SEL** to confirm selection of the track number.
- 5 The middle **0** in the **001** will blink twice a second. Repeat Steps 3 and 4 to select this part of the track number.
- 6 When the track you want is found, press and hold **VOL/SEL** to playback the track.

Using file search

Files on an MP3 disc are arranged in a specific order, as shown below.

**To search MP3 files:**

- 1 In MP3 playback mode, press **AMS** twice. **FILE SCH** displays on the LCD.
- 2 Press **VOL/SEL** to enter the file searching mode. **CD01** blinks on the LCD.

- 3** Rotate **VOL/SEL** until the desired CD number displays on the LCD.
- 4** Press **VOL/SEL** to access the next portion of the file name. **01** blinks on the LCD.
- 5** Rotate **VOL/SEL** until the desired MP3 file number displays on the LCD.
- 6** When the desired track is found, press and hold **VOL/SEL** to playback the track.

Using character search

To search MP3s by character:

- 1** In MP3 playback mode, press **AMS** three times. **CHAR SCH** displays on the LCD.
- 2** Press **VOL/SEL** to enter the character searching mode. **A** blinks on the LCD.
- 3** Press and hold **VOL/SEL** to search all tracks that begin with **A**. The results show on the LCD.
- 4** Rotate **VOL/SEL** to select the desired track, then press and hold **VOL/SEL** to playback the track.
OR, rotate **VOL/SEL** to select the first number of the desired CD track, then press **VOL/SEL** to confirm the first character of the desired track.
- 5** The second character **A** blinks on the LCD. Repeat Step 3 to find all characters in the track name.
- 6** When the desired track is found, press and hold **VOL/SEL** to playback the track.

Maintaining your car deck

Replacing fuses

- When replacing fuses, make sure that the amperage of the new fuse is the same amperage as the fuse that you removed.
- If the fuses blow, check the power connection before replacing. If the fuses blow again after being replaced, there is a problem with the player which requires servicing.

Caution

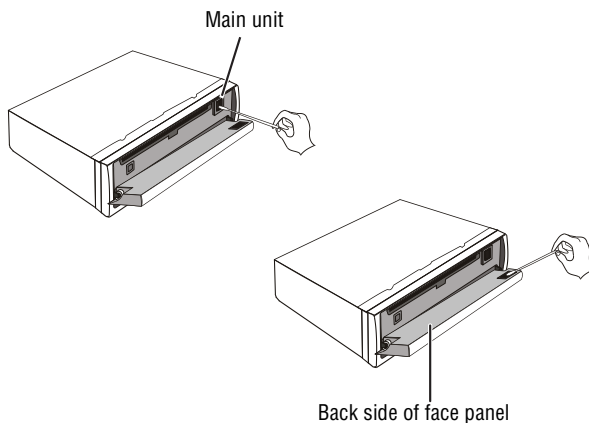
Do not use fuses with amperages higher than the fuses provided to avoid damaging the player.

Cleaning the connector

- If the connector between the player and the front panel is dirty, the player may not operate properly. To clean the connector, remove the face plate and gently clean the connector with an alcohol swab.

Note

Always shut down the engine and remove the key from the ignition before cleaning.



Cleaning the player

- Wipe with a soft cloth. If the player is very dirty, dampen the cloth with a weak solution of neutral detergent and water, and then wipe clean. Do not use compressed air to remove dust.

Caring for CDs

- Do not touch the surface of the unlabeled side of the disc.
- Do not attach paper or tape to the surface of the disc.
- Do not expose the disc to direct sunlight or excessive heat.

- Do not use irregularly shaped discs (for example: heart shaped or octagonal discs). They may cause malfunctions. Use only 12 cm discs.
- Handle the disc by the edges. Do not touch the CD recording surface.

Cleaning CDs

A dirty disc causes sound skipping, and if the disc is very dirty, the CD may not work at all. Handle the disc by holding its inner and outer edges.

- Fingerprints and dust should be carefully wiped from the surface of the CD with a soft cloth. Wipe in a straight motion from the center to the edge.
- Never use thinner, benzine, record cleaner, or anti-static spray on a CD, because they can damage its plastic surface.

Troubleshooting

Problem	Cause	Solution
No power.	<ul style="list-style-type: none">• Check to see whether the fuse is blown.	<ul style="list-style-type: none">• Replace fuse with another fuse of the same value.
Some errors occur in the LCD or no function when pressing the button.		<ul style="list-style-type: none">• Press RESET button.

Problem	Cause	Solution
Unable to receive stations.	<ul style="list-style-type: none"> • Make sure that the antenna is inserted properly or the antenna is properly connected. 	<ul style="list-style-type: none"> • If necessary, insert the antenna or connect the antenna properly.
Poor station reception	<ul style="list-style-type: none"> • Antenna may not be fully extended or may be broken. • The antenna is poorly grounded. 	<ul style="list-style-type: none"> • Make sure that the antenna is fully extended or replace a broken antenna with a new one. • Make sure that the antenna is properly grounded at its mounting location.
CDs cannot be loaded.	A CD is already loaded in the car deck.	Remove CD from the car deck.
Distorted playback or sound loss during CD playback	<ul style="list-style-type: none"> • The CD is dirty or damaged. 	<ul style="list-style-type: none"> • Clean the disc.
No images.	<ul style="list-style-type: none"> • The video line from the main car deck to the television is not connected properly. 	<ul style="list-style-type: none"> • Make sure that the video line is connected properly.
Images skip.	<ul style="list-style-type: none"> • The color system is set improperly. 	<ul style="list-style-type: none"> • Set the color system of the connected television to PAL or NTSC.

Specifications

Design and specifications are subject to change without notice.

General	
Power requirement	14.4 V DC (11-16 V allowable)
Load impedance	4 ohms
Max. power output	40 W x 4
Tone controls	+/-8 dBm Bass 100 Hz Treble 10 KHz
Dimensions	
Depth	7.6 inches (192 mm)
Width	7 inches (178 mm)
Height	1.97 inches (50 mm)
Mounting dimensions	
Depth	6.65 inches (169 mm)
Width	7.17 inches (182 mm)
Height	2.09 inches (53 mm)
Weight	3.88 lbs. (1.75 kg)
FM selection	
Tuning range (optional)	87.5-108 MHz (China/Europe) 87.5-108 MHz (USA)
IF range	10.7 MHz
Usable sensitivity	15 dBu V (-30 dB)
Signal-to-noise ratio	50 dB
Stereo separation	30 dB (1 KHz)
Frequency response	30-15000 Hz

AM tuner selection	
Frequency range (optional)	522-1620 KHz (China/Europe) 530-1710 KHz (USA)
IF range	450 KHz
Usable sensitivity	28 dBu V
CD player selection	
Signal-to-noise ratio	65 dB
Separation	60 dB (1 KHz)
Distortion	0.5%

FCC compliance

This device complies with Part 15 of the FCC Rules. Operation of this product is subject to the following two conditions: (1) this device may not cause harmful interference, and (2) this device must accept any interference received, including interference that may cause undesired operation.

This equipment has been tested and found to comply within the limits for a class B digital device, pursuant to Part 15 of the FCC Rules. These limits are designed to provide reasonable protection against harmful interference in a residential installation. This equipment generates, uses, and can radiate radio frequency energy and, if not installed and used in accordance with the instructions, may cause harmful interference to radio communications. However, there is no guarantee that interference will not occur in a particular installation. If this equipment does cause harmful interference to radio or television reception, which can be determined by turning the equipment off and on, the user is encouraged to try to correct the interference by one or more of the following measures:

- Reorient or relocate the receiving antenna.
- Increase the separation between the equipment and receiver.

- Connect the equipment into an outlet on a circuit different from that to which the receiver is connected.
- Consult the dealer or an experienced technician for help.

FCC warning

Changes or modifications not expressly approved by the party responsible for compliance with the FCC Rules could void the user's authority to operate this equipment.

This Class B digital apparatus complies with Canadian ICES-003.

Safety certification

This car CD/MP3 player is made and tested to meet safety standards of the FCC, requirements and compliance with safety performance of the U.S. Department of Health and Human Services, and also with FDA Radiation Performance Standards 21 CFR Subchapter J.

Copyright

© 2007 Insignia. Insignia and the Insignia logo are trademarks of Best Buy Enterprise Services, Inc. Other brands and product names are trademarks or registered trademarks of their respective holders. Specifications and features are subject to change without notice or obligation.

Warranty

1-Year Limited Warranty

Insignia Products ("Insignia") warrants to you, the original purchaser of this new **NS-C3112** ("Product"), that the Product shall be free of defects in the original manufacture of the material or workmanship for a period of one (1) year from the date of your purchase of the Product ("Warranty Period"). This Product must be purchased from an authorized dealer of Insignia brand products and packaged with this warranty statement. This warranty does not cover refurbished Product. If you notify Insignia during the Warranty Period of a defect covered by this warranty that requires service, terms of this warranty apply.

How long does the coverage last?

The Warranty Period lasts for 1 year (365 days) from the date you purchased the Product. The purchase date is printed on the receipt you received with the Product.

What does this warranty cover?

During the Warranty Period, if the original manufacture of the material or workmanship of the Product is determined to be defective by an authorized Insignia repair center or store personnel, Insignia will (at its sole option): (1) repair the Product with new or rebuilt parts; or (2) replace the Product at no charge with new or rebuilt comparable products or parts. Products and parts replaced under this warranty become the property of Insignia and are not returned to you. If service of Products or parts are required after the Warranty Period expires, you must pay all labor and parts charges. This warranty lasts as long as you own your Insignia Product during the Warranty Period. Warranty coverage terminates if you sell or otherwise transfer the Product.

How to obtain warranty service?

If you purchased the Product at a retail store location, take your original receipt and the Product to the store you purchased it from. Make sure that you place the Product in its original packaging or packaging that provides the same amount of protection as the original packaging. If you purchased the Product from an online web site, mail your original receipt and the Product to the address listed on the web site. Make sure that you put the Product in its original packaging or packaging that provides the same amount of protection as the original packaging.

To obtain in-home warranty service for a television with a screen 25 inches or larger, call 1-888-BESTBUY. Call agents will diagnose and correct the issue over the phone or will have an Insignia-approved repair person dispatched to your home.

Where is the warranty valid?

This warranty is valid only to the original purchaser of the product in the United States and Canada.

What does the warranty not cover?

This warranty does not cover:

- Customer instruction
- Installation
- Set up adjustments
- Cosmetic damage
- Damage due to acts of God, such as lightning strikes
- Accident
- Misuse
- Abuse
- Negligence
- Commercial use
- Modification of any part of the Product, including the antenna
- Plasma display panel damaged by static (non-moving) images applied for lengthy periods (burn-in).

This warranty also does not cover:

- Damage due to incorrect operation or maintenance
- Connection to an incorrect voltage supply
- Attempted repair by anyone other than a facility authorized by Insignia to service the Product
- Products sold as is or with all faults
- Consumables, such as fuses or batteries
- Products where the factory applied serial number has been altered or removed

REPAIR REPLACEMENT AS PROVIDED UNDER THIS WARRANTY IS YOUR EXCLUSIVE REMEDY. INSIGNIA SHALL NOT BE LIABLE FOR ANY INCIDENTAL OR CONSEQUENTIAL DAMAGES FOR THE BREACH OF ANY EXPRESS OR IMPLIED WARRANTY ON THIS PRODUCT, INCLUDING, BUT NOT LIMITED TO, LOST DATA, LOSS OF USE OF YOUR PRODUCT, LOST BUSINESS OR LOST PROFITS. INSIGNIA PRODUCTS MAKES NO OTHER EXPRESS WARRANTIES WITH RESPECT TO THE PRODUCT, ALL EXPRESS AND IMPLIED WARRANTIES FOR THE PRODUCT, INCLUDING, BUT NOT LIMITED TO, ANY IMPLIED WARRANTIES OF AND CONDITIONS OF MERCHANTABILITY AND FITNESS FOR A PARTICULAR PURPOSE, ARE LIMITED IN DURATION TO THE WARRANTY PERIOD SET FORTH ABOVE AND NO WARRANTIES, WHETHER EXPRESS OR IMPLIED, WILL APPLY AFTER THE WARRANTY PERIOD. SOME STATES, PROVINCES AND JURISDICTIONS DO NOT ALLOW LIMITATIONS ON HOW LONG AN IMPLIED WARRANTY LASTS, SO THE ABOVE LIMITATION MAY NOT APPLY TO YOU. THIS WARRANTY GIVES YOU SPECIFIC LEGAL RIGHTS, AND YOU MAY ALSO HAVE OTHER RIGHTS, WHICH VARY FROM STATE TO STATE OR PROVINCE TO PROVINCE. Contact Insignia:

For customer service please call 1-877-467-4289

www.insignia-products.com

INSIGNIA™ is a trademark of Best Buy Enterprise Services, Inc.

Distributed by Best Buy Purchasing, LLC.

Insignia, 7601 Penn Avenue South, Richfield, Minnesota, U.S.A.

Autoradio lecteur de CD/ MP3 Insignia NS-C3112

Table des matières

Introduction	41
Informations sur la sécurité	42
Fonctionnalités	46
Installation de l'autoradio	52
Retrait de l'autoradio	56
Utilisation de l'autoradio	58
Entretien du lecteur de CD/MP3	73
Problèmes et solutions	76
Spécifications	77
Droits d'auteurs	80
Garantie limitée	81

Introduction

Félicitations d'avoir acheté ce produit Insignia de haute qualité. L'autoradio lecteur de CD/MP3 NS-C3112 représente la dernière avancée technologique dans la conception des systèmes stéréo pour voitures et a été conçu pour des performances et une fiabilité exceptionnelles.

Informations sur la sécurité

Attention

Afin de réduire le risque d'incendie et de choc électrique, ne pas exposer le récepteur à la pluie ou l'humidité.

Attention

Afin de réduire le risque de choc électrique, ne pas enlever le couvercle (ou l'arrière). Ne contient aucune pièce réparable par l'utilisateur. Confier l'entretien à un personnel qualifié.

Lire les instructions

Lire toutes les instructions de sécurité et de fonctionnement avant d'utiliser cet autoradio.

Conserver les instructions

Conserver les instructions de sécurité et de fonctionnement pour toute référence ultérieure.

Respecter les avertissements

Respecter tous les avertissements sur l'autoradio et dans les instructions d'utilisation.

Observer les instructions

Toutes les instructions d'utilisation et de fonctionnement doivent être observées.

Accessoires

N'utiliser que les périphériques et accessoires spécifiés.

Ouïes et panneaux du radiateur

Ne pas bloquer les ouïes et les panneaux du radiateur. Tout blocage provoquera une accumulation de chaleur dans le boîtier et un éventuel incendie.

Pénétration d'objets ou de liquides

Ne pas enfoncer d'objets dans les ouvertures du boîtier de l'autoradio qui pourraient entrer en contact avec des tensions dangereuses ou provoquer un court-circuit à l'origine d'un incendie ou d'un choc électrique. Ne jamais renverser ou pulvériser un liquide quelconque sur l'autoradio.

Dégâts nécessitant un entretien

L'utilisateur ne doit pas essayer de réparer cet appareil lui-même. L'ouverture ou le démontage des couvercles peut exposer l'utilisateur à des tensions dangereuses et à d'autres dangers. Les réparations doivent être effectuées par un personnel qualifié dans les conditions suivantes :

- lorsque le câblage est endommagé.
- si un liquide a été répandu ou des objets sont tombés dans l'autoradio.
- si l'autoradio a été exposé à la pluie ou à l'eau.
- si l'autoradio ne fonctionne pas normalement en appliquant les instructions d'utilisation. Ne régler que les commandes décrites dans les instructions d'utilisation, car le réglage incorrect d'autres commandes pourrait provoquer des anomalies, entraînant souvent d'importantes réparations par un technicien qualifié pour rétablir le fonctionnement normal de l'autoradio.

Pièces de rechange

Si des pièces doivent être remplacées, s'assurer que le technicien a utilisé des pièces spécifiées par Insignia ayant les mêmes caractéristiques que celles des pièces d'origine. Toute substitution par des pièces non autorisées peut provoquer un incendie, un choc électrique ou d'autres dangers.

Contrôle de sécurité

Les réparations ou la maintenance ayant été effectuées, demander au technicien de réaliser les contrôles de sécurité de routine afin de vérifier que l'autoradio est en bon état de fonctionnement.

Logement pour disque

Tenir les doigts à l'écart du logement du disque lorsqu'il se ferme afin d'éviter de se blesser.

Disque

Ne pas utiliser des disques fendillés, déformés ou réparés. De tels disques sont très fragiles et présentent des risques de blessures graves et un mauvais fonctionnement du produit.

Classification de l'équipement

Cet appareil est un produit de classe II, ce qui signifie que l'autoradio est doté d'un double système d'isolation.



Rayonnement au laser invisible en cas d'ouverture et lorsque le système de sécurité est défectueux ou neutralisé. Éviter toute exposition directe aux rayons laser.

Sécurité du laser

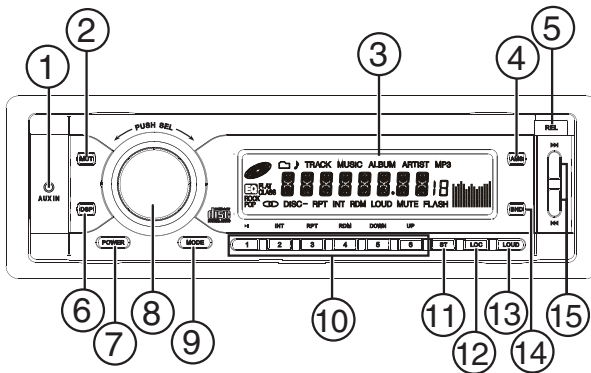
Le mécanisme CD de cet appareil utilise une technologie de faisceau laser optique, conçue pour intégrer des dispositifs de sécurité. Ne pas essayer de démonter cet appareil. Confier l'entretien à du personnel qualifié. Une exposition à la lumière du faisceau laser invisible peut être dangereuse pour la vue.

Appareil au laser de classe 1.
L'utilisation de commandes, de réglages ou l'exécution de procédures autres que celles indiquées ici peuvent aboutir à une exposition dangereuse au rayonnement laser.

Fonctionnalités

Commandes

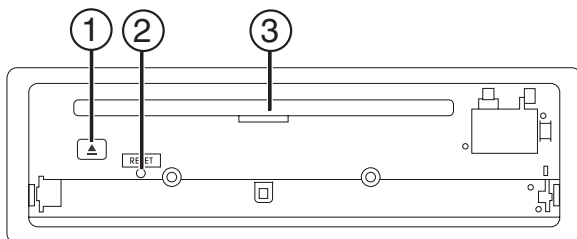
Panneau avant



#	Commande	Description
1	Prise d'entrée Aux	Pour connecter l'appareil à la source d'un signal externe :
2	Touche SOURDINE	Permet de mettre l'appareil en sourdine. Appuyer de nouveau pour reprendre la lecture.

#	Commande	Description
3	Affichage ACL	L'ACL présente l'état en cours.
4	Touche AMS	En mode radio, appuyer rapidement pour balayer chaque station enregistrée pendant cinq secondes. La maintenir appuyée pour activer la mémorisation automatique des stations.
5	Touche LIBÉRATION	Permet d'ouvrir le panneau avant.
6	Touche AFFICHAGE	Permet d'afficher l'heure.
7	Touche Marche/Arrêt	Permet de mettre l'autoradio sous tension La maintenir appuyée pour mettre l'autoradio hors tension.
8	Bouton VOL/SEL	Faire tourner le bouton pour régler le volume. Appuyer pour définir les caractéristiques sonores.
9	Touche MODE	Pour sélectionner le mode : <ul style="list-style-type: none">• Radio• Lecture• Aux In (source externe)

#	Commande	Description
10	Touches numériques	En mode radio, permet l'accès à la syntonisation pré-réglée. En mode lecture, permet d'activer les fonctions : <ul style="list-style-type: none"> • INT (Intermittent) • RPT (Répéter) • RDM (Aléatoire) • DOWN (Vers le bas) • UP (Vers le haut)
11	Touche ST (Stéréo)	En mode radio, permet de basculer entre mono et stéréo.
12	Touche LOC (Station locale)	En mode radio, permet de basculer entre les stations locales et distantes.
13	Touche LOUD (volume élevé)	Appuyer et relâcher rapidement pour activer la fonction de volume élevé.
14	Touche BANDE	En mode radio, elle permet de choisir la bande.
15	Touches Choix des Stations/de la Piste ◀◀ ▶▶	En mode radio, elle permet de choisir la station. Appuyer trois fois pour rechercher automatiquement des stations. En mode lecture, permet de choisir les pistes. Maintenir la touche appuyée pour un retour ou une avance rapides.

Base

#	Commande	Description
1	Touche EJECT	Permet d'éjecter le disque compact après avoir ouvert le panneau avant.
2	Touche RÉINITIALISATION	Permet de régler l'autoradio en revenant aux paramètres d'usine.
3	Fente de chargement du disque	Insérer le disque dans la fente pour sa lecture.

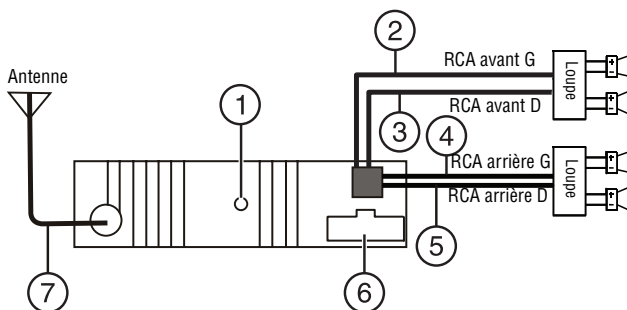
Câblage

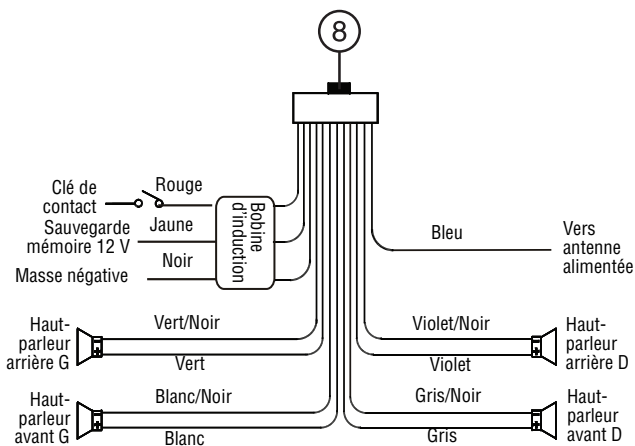
Attention

Vérifier que les câbles repérés par couleur sont connectés conformément au schéma. Une connexion incorrecte peut provoquer le mauvais fonctionnement de l'autoradio ou endommager le circuit électrique du véhicule.

Prendre soin de connecter les câbles (-) pour haut-parleur sur la prise (-) du haut-parleur. Ne jamais connecter ensemble les câbles des haut-parleurs des voies droites et gauches ou à la masse du véhicule.

Vérifier que toutes les connexions sont correctement réalisées avant de mettre l'autoradio sous tension.





#	Connexion
1	Trous de vis
2	Prise RCA avant droite
3	Prise RCA avant gauche
4	Prise RCA arrière gauche
5	Prise RCA arrière droite
6	Prise de sortie
7	Prise d'antenne
8	Adaptateur de sortie pour une prise de sortie

Installation de l'autoradio

Fixation du boîtier de montage

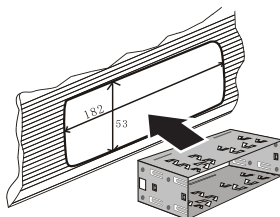
Il existe deux méthodes d'installation de l'autoradio :

- la méthode DIN de montage avant
- la méthode avec des vis.

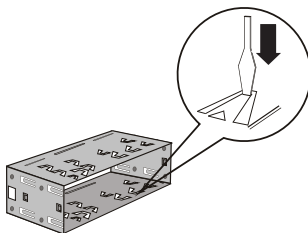
La méthode avec des vis utilise seulement les trous latéraux de l'autoradio prévus à cet effet.

Pour installer l'autoradio en utilisant la méthode DIN de montage avant:

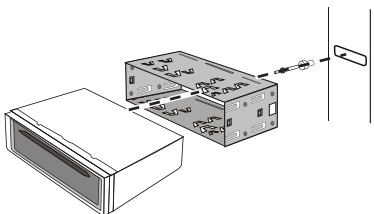
- 1** Insérer le boîtier de montage dans l'ouverture destinée à l'autoradio.



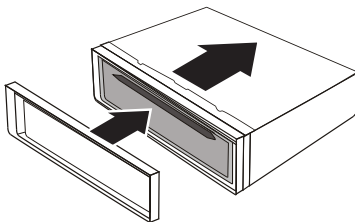
- 2** Recourber les onglets de montage vers l'extérieur jusqu'à ce que le boîtier soit parfaitement fixé.



- 3** Attacher le boîtier de montage à la cloison pare-feu pour un support complémentaire.

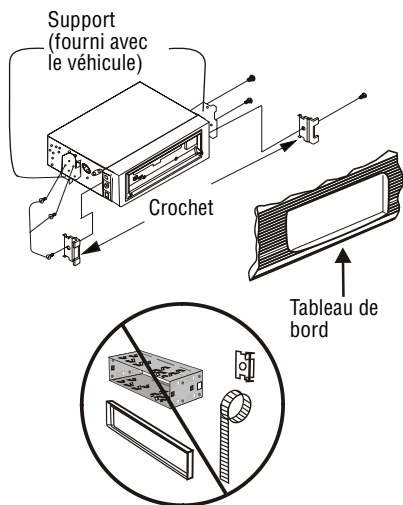


- 4** Faire glisser l'autoradio dans le boîtier de montage et attacher sa façade sur l'avant de l'autoradio.



Pour installer l'autoradio en utilisant les vis:

- 1 Démontez les crochets de chaque côté de l'autoradio.
- 2 Aligner les deux trous de vis de chaque côté de l'autoradio avec ceux du support de montage (fourni avec le véhicule) et serrer les vis afin de fixer l'autoradio en place.

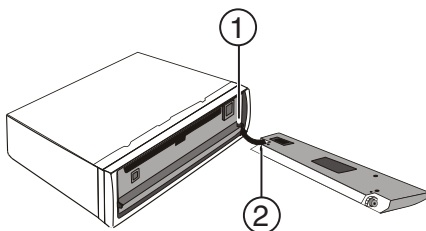
**Remarque**

Le cadre extérieur, les crochets et le boîtier de montage ne sont pas utilisés pour l'installation.

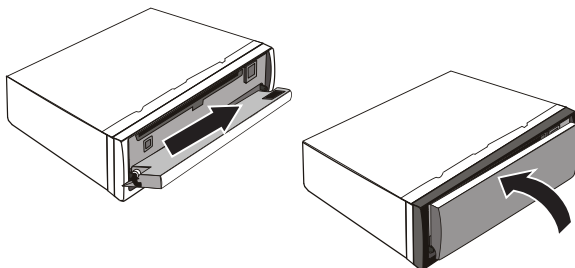
Installation et dépose de la façade amovible

Pour installer la façade amovible:

- 1 Aligner la façade amovible en fixant le cran (2) sur l'axe (1) tout en appuyant sur celle-ci dans un déplacement vers la droite.

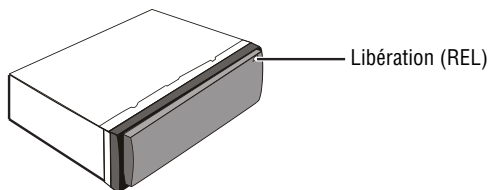


- 2 Pour monter la face amovible sur l'avant de l'autoradio, faire glisser celle-ci vers la droite et vers le haut.

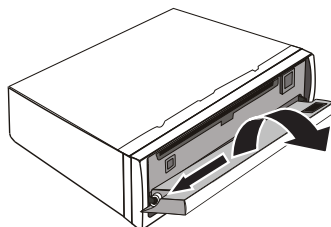


Pour démonter la face amovible:

- 1 Appuyer sur **REL** (libération) située dans l'angle supérieur droit de l'autoradio. La façade amovible se libère et se rabat.



- 2 Maintenir la façade amovible à 45° et la faire glisser vers la gauche pour la retirer.

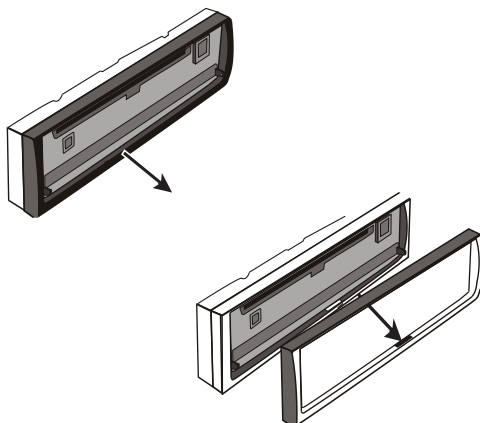


Retrait de l'autoradio

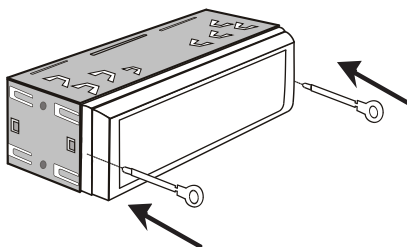
Pour retirer l'autoradio:

- 1 Déposer la façade amovible.

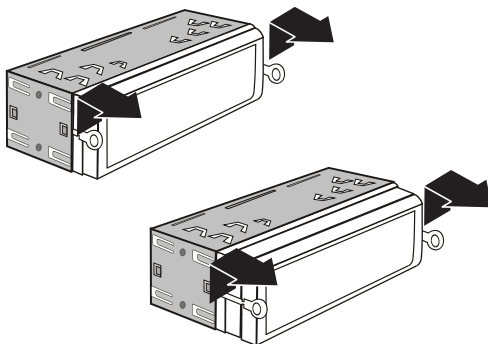
- 2** Si le cadre extérieur est utilisé, le démonter en tirant dessus.



- 3** Insérer les clés fournies avec l'autoradio de chaque côté de ce dernier jusqu'à l'audition d'un déclic.



- 4 Tirer sur les clés (vers soi) pour retirer l'autoradio et son boîtier de montage hors du tableau de bord.



Pour installer le lecteur en utilisant les vis:

- Démontez les crochets de chaque côté du lecteur.

Utilisation de l'autoradio

Fonctionnement de l'autoradio

Le message affiché change selon la touche appuyée ou la fonction sélectionnée.

Pour mettre le syntoniseur sous et hors tension:

- 1 Appuyer sur **POWER** (Alimentation) pour démarrer le syntoniseur.
OU, insérer un CD dans le logement du disque avec l'appareil hors tension.
Le lecteur de CD/MP3 commencera la lecture.
- 2 Maintenir appuyée **POWER** pour mettre l'autoradio complètement hors tension.

Pour régler le son:

- 1 Tourner **VOL/SEL** dans le sens horaire pour augmenter le volume.
- 2 Tourner **VOL/SEL** dans le sens anti-horaire pour diminuer le volume.

Pour réinitialiser l'autoradio:

- 1 Lors de la première utilisation de l'autoradio ou après avoir remplacé la batterie du véhicule, redémarrer l'autoradio en appuyant sur **RESET** (Réinitialisation) avec un objet pointu.
- 2 Appuyer sur **RESET** si des erreurs se produisent sur l'affichage. Le réglage de l'horloge et certaines caractéristiques en mémoire seront effacés.

Pour éjecter un disque coincé:

- 1 Si un disque se trouve coincé dans l'autoradio et si la touche **EJECT** ne permet pas son éjection, appuyer sur **MODE** pour changer le mode radio.
- 2 Libérer la façade amovible et maintenir appuyée **EJECT** pendant trois secondes. Le disque est éjecté.

Utilisation de l'entrée auxiliaire:

- 1 Insérer l'adaptateur audio pour un appareil externe dans le logement **Aux In** (Entrée auxiliaire) sur l'avant de l'autoradio. Le volume augmente.
- 2 Retirer le périphérique pour retrouver un volume normal.

Pour afficher et régler l'heure:

- 1 Appuyer sur **DISPLAY** (Affichage) pour afficher l'heure actuelle sur l'écran ACL. Après avoir affiché l'heure pendant cinq secondes, l'ACL revient à son état normal.
- 2 Pour régler l'heure, maintenir appuyée **DISPLAY** jusqu'à ce que les valeurs numériques de l'horloge s'arrêtent de clignoter. Tourner **VOL/SEL**.
 - Tourner dans le sens horaire pour régler les heures.
 - Tourner dans le sens anti-horaire pour régler les minutes.

Sans aucun réglage dans les cinq secondes, l'heure revient à sa valeur d'affichage d'origine.
- 3 Appuyer de nouveau sur **DISPLAY** pour enregistrer les modifications de l'heure.

Réglage des paramètres de l'autoradio

Réglage du son

Pour régler les caractéristiques sonores:

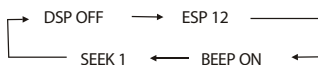
- 1 Appuyer sur **VOL/SEL** pour afficher les modes sonores sur l'ACL :
 - VOL (Volume)
 - BAS (Graves)

- TRE (Aigus)
- FAD (Fondu)
- BAL (Balance)

- 2** Appuyer plusieurs fois sur **VOL/SEL** pour sélectionner le mode souhaité, puis tourner de nouveau **VOL/SEL** pour régler le niveau en cours. Au cours du réglage de certains modes, si le réglage de **VOL/SEL** n'intervient pas dans les trois secondes, le mode reprend automatiquement son niveau précédent.

Pour régler les caractéristiques sonores de l'affichage:

- 1** Maintenir appuyée **VOL/SEL** pendant trois secondes pour présenter les modes d'affichage sur l'ACL :
- DISP OFF [Affichage éteint] (En mode radio, permet de régler la qualité du son)
 - ESP 12 (En mode de lecture, détermine la durée de lecture enregistrée dans la mémoire tampon)
 - SEEK 1 (Règle la vitesse de recherche du syntoniseur)
 - BEEP ON (Active ou désactive le bipleur)



- 2** Appuyer plusieurs fois sur **VOL/SEL** pour sélectionner le mode souhaité, puis tourner **VOL/SEL** pour régler l'état du mode sélectionné.
- 3** Après avoir sélectionné **DISP OFF** (Affichage éteint), l'état se modifie pour régler parfaitement la qualité du son du syntoniseur dans l'ordre suivant :
- DISP OFF (Affichage éteint)
 - POP M (Pop music)
 - FLAT M (Musique sans relief)

- CLASSIC M (Musique classique)
- ROCK M (Rock)



Dans ce mode, les modes **BAS** et **TREB** (Graves et Aigus) dans les caractéristiques sonores reviennent à leur valeur initiale et les icônes **BASS** et **TREBLE** n'apparaissent pas sur l'écran ACL.

- Après avoir sélectionné **ESP 12**, faire tourner **VOL/SEL** pour choisir parmi ce qui suit l'un des réglages de durée enregistrée de lecture (en mode de lecture) pendant l'audition de CD ou de MP3 :
 - ESP 12 (12 secondes de durée enregistrée en mémoire tampon)
 - ESP 45 (45 secondes de durée enregistrée en mémoire tampon)
- Après avoir sélectionné **SEEK 1**, appuyer sur **VOL/SEL** pour choisir une vitesse de recherche en mode radio. La vitesse de recherche est utilisée pour trouver des stations de radio. Il existe deux options :
 - SEEK 1 (Vitesse lente de recherche)
 - SEEK 2 (Vitesse rapide de recherche)

La vitesse sélectionnée s'affiche sur l'ACL.
- Après avoir sélectionné **BEEP ON** (bip activé), appuyer sur **VOL/SEL** pour activer l'option du bip audio. Deux choix sont permis pour déterminer si le bip audio est activé ou non :
 - BEEP ON (Bip activé)
 - BEEP OFF (Bip désactivé)

Remarque

Si le réglage de la sélection n'est pas réalisé dans les 10 secondes, le paramètre revient à son mode précédent.

Utilisation des caractéristiques

Utilisation de la puissance sonore

Pour activer et désactiver la puissance sonore:

- 1** Appuyer sur **LOUD**. La puissance sonore est activée, ce qui peut améliorer la sensibilité de l'oreille.
- 2** Appuyer plusieurs fois sur **LOUD** pour augmenter les basses fréquences jusqu'à ce que **LOUD** s'affiche sur l'ACL. Appuyer de nouveau sur **LOUD** pour désactiver la puissance sonore.

Utilisation de la sourdine

Pour activer et désactiver la sourdine:

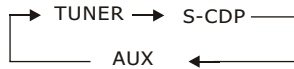
- 1** Appuyer sur **MUTE** (Sourdine) pour interrompre l'entrée du son. **MUTE** s'affiche sur l'écran ACL.
- 2** Appuyer de nouveau sur **MUTE** pour rétablir le volume.

Utilisation du sélecteur de mode

Pour modifier le mode:

- 1** Appuyer sur **MODE** pour afficher l'écran du sélecteur de mode sur l'ACL :
 - Syntoniseur (mode radio)
 - S-CDP (mode de lecture avec un seul disque)

- Aux (Mode auxiliaire)



- 2 Appuyer sur **MODE** pour passer d'un mode à un autre.

Fonctionnement de la radio

Sélecteur de bande

Pour sélectionner une bande de fréquences:

- 1 Sélectionner le mode radio et appuyer ensuite sur **BAND**. Appuyer de nouveau sur **BAND** pour modifier le réglage.
- 2 Sélectionner l'une des options suivantes :
Pour deux bandes :



Pour trois bandes :



Syntonisation manuelle/automatique

Pour sélectionner une option de syntonisation:

- 1** Sélectionner le mode radio et appuyer ensuite sur l'une des touches de Station sélectionnée .
- 2** Pour la syntonisation manuelle, maintenir appuyée une touche de Station sélectionnée pour se déplacer dans la partie haute ou la partie basse de la bande.
- 3** Pour une syntonisation automatique, maintenir appuyée une touche de Station sélectionnée pendant trois secondes. La radio recherche automatiquement une station dans la partie haute ou dans la partie basse de la bande et s'arrête pour faire entendre une station dès qu'elle est localisée.

Touches numériques

Pour utiliser les touches numériques:

- 1** En mode radio, appuyer sur une des six touches numériques pour écouter une station mémorisée.
- 2** Maintenir appuyées les touches numériques pour mémoriser les stations.
 - Au cours de la réception d'une station, maintenir appuyée l'une des six touches numériques jusqu'à ce que le nombre s'affiche sur l'ACL. Ceci indique que la station est stockée dans la zone de mémoire du chiffre correspondant.
 - Appuyer sur **AMS** pour automatiquement balayer et mettre en mémoire des stations radio.

- Lors de l'écoute d'une station de radio mémorisée, maintenir appuyée une autre touche numérique pendant deux secondes pour mémoriser la même station sur un second chiffre.

Balayage et mémorisation automatique des stations

Pour déterminer la réception d'une station de radio:

- 1** Sélectionner le mode radio et appuyer ensuite sur **AMS** pour le balayage. Chaque station en mémoire fonctionne pendant cinq secondes et passe ensuite automatiquement à la prochaine station mémorisée.
OU, appuyer sur la touche numérique qui correspond à la station qui doit être mémorisée.
La station sélectionnée est en cours de transmission.
- 2** Maintenir appuyée **AMS** pendant trois secondes pour activer automatiquement la fonction de stockage de la mémoire. L'autoradio mémorise automatiquement la station sélectionnée, qui peut être rappelée en utilisant les touches numériques.

Remarque

L'autoradio peut mémoriser un maximum de six stations pour chaque bande. La station est attribuée à la touche numérique suivante et libre entre 1 et 6.

Sélection de mono ou stéréo

Pour sélectionner entre mono et stéréo:

- 1** Sélectionner le mode radio et appuyer ensuite sur **ST**. Appuyer de nouveau sur **ST** (Stéréo) pour modifier le réglage.
- 2** Sélectionner **ST** pour une réception en stéréo. Une icône stéréo s'affiche sur l'ACL.
- 3** Sélectionner **MO** pour une réception en mono. Aucune icône ne s'affiche sur l'ACL.

Utilisation du lecteur de CD/MP3

Lecture de disques

Pour lire des disques:

- 1** Insérer un disque dans la fente prévue à cet effet, l'étiquette tournée vers le haut.
- 2** Si l'autoradio est hors tension, il se mettra sous tension et la lecture du disque commencera immédiatement.
- 3** Si un disque se trouve déjà dans l'autoradio et que la radio est en fonctionnement, appuyer sur **MODE** pour commencer la lecture.

Pour répéter la lecture:

- 1** Appuyer sur **REPEAT** pour répéter la lecture de la piste en cours. **RPT** s'affiche sur l'écran ACL.
- 2** Appuyer sur **REPEAT** de nouveau pour annuler la répétition de la lecture.

Pour arrêter momentanément la lecture:

- 1 Appuyer sur une touche numérique pour arrêter momentanément la lecture. **PAUSE** s'affiche sur l'ACL.
- 2 Appuyer de nouveau sur la même touche pour annuler l'arrêt momentané de la lecture.

Avance/retour rapide**Pour se déplacer en avant ou en arrière sur le disque:**

- 1 En mode lecture de CD, maintenir appuyée une des touches **Select Track** (Sélection des pistes). La vitesse de lecture augmente.
- 2 Lorsque la piste retenue est repérée, relâcher la touche **Select Track**.

Sélection des pistes**Pour sélectionner des pistes:**

- 1 En mode lecture de CD, appuyer sur une des touches **Select Track** (Sélection des pistes). La lecture de la piste s'interrompt et recommence de nouveau au début de la piste en cours.
- 2 Appuyer de nouveau sur l'une des touches **Select Track** dans les trois secondes pour se déplacer au début de la piste précédente ou de la piste suivante.

Balayage automatique des pistes

Pour balayer automatiquement les pistes:

- 1** En mode lecture de CD, appuyer sur l'une des six touches numériques pour lire les 10 premières secondes de chacune des pistes du disque. **INT** s'affiche sur l'ACL, en même temps que le numéro de la piste et la durée écoulée.
- 2** Appuyer de nouveau sur la même touche numérique pour commencer la lecture de toute la piste. **INT** ne s'affiche plus sur l'ACL.

Lecture des pistes dans un ordre aléatoire

Pour lire les pistes en ordre aléatoire:

- 1** En mode lecture de CD, appuyer sur une des six touches numériques pour lire les pistes dans un ordre aléatoire. **RDM** s'affiche sur l'ACL.
- 2** Appuyer de nouveau sur cette touche pour revenir au mode normal de lecture. **RDM** ne s'affiche plus sur l'ACL.

Utilisation des touches numériques

Pour utiliser les touches numériques:

- 1** En mode lecture de CD, maintenir appuyée la touche numérique **1** pour lire la première piste sur le disque.
- 2** Pendant la lecture d'un MP3, maintenir appuyée la touche numérique **5** pour revenir en arrière et lire la dixième piste du disque avant celle en cours de lecture.
- 3** Pendant la lecture d'un MP3, maintenir appuyée la touche numérique **6** pour avancer et lire la dixième piste du disque après celle en cours de lecture.

Recherche des pistes MP3

En mode lecture de MP3, il est possible de faire des recherches sur les disques par piste, par fichier et par caractères. Deux méthodes sont mises à disposition pour rechercher des pistes sur un disque :

- par incréments
- par numéro de piste.

Utilisation de la recherche des pistes

Pour rechercher des pistes MP3 par incréments:

- 1** En mode lecture de MP3, appuyer une fois sur **AMS**. **TRK SCH** s'affiche sur l'ACL.
- 2** Appuyer sur **VOL/SEL**. **TRK 001** (Piste 001) s'affiche sur l'écran ACL.
- 3** Faire tourner **VOL/SEL** dans le sens horaire pour faire une recherche vers l'avant sur le disque.
- 4** Faire tourner **VOL/SEL** dans le sens anti-horaire pour faire une recherche vers l'arrière sur le disque.
- 5** Après avoir trouvé la piste recherchée, maintenir appuyée **VOL/SEL** pour procéder à sa lecture.

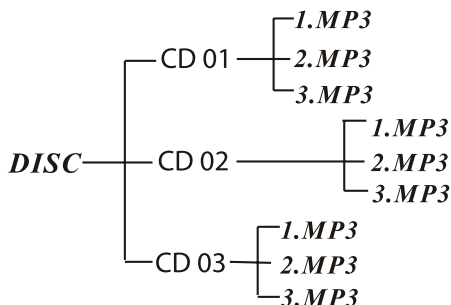
Pour rechercher des pistes MP3 par numéro de piste:

- 1** En mode lecture de MP3, appuyer une fois sur **AMS**. **TRK SCH** s'affiche sur l'ACL.
- 2** Appuyer sur **VOL/SEL**. **TRK 001** s'affiche sur l'écran ACL. Le chiffre **1** de **001** clignotera deux fois par seconde.
- 3** Faire tourner **VOL/SEL** dans le sens horaire jusqu'à ce que le numéro de la piste souhaitée s'affiche sur l'écran ACL.

- 4 Appuyer et relâcher **VOL/SEL** pour confirmer la sélection du numéro de la piste.
- 5 Le **0** au milieu de **001** clignotera deux fois par seconde. Répéter les étapes 3 et 4 pour sélectionner cette partie du numéro de piste.
- 6 Après avoir trouvé la piste recherchée, maintenir appuyée **VOL/SEL** pour procéder à sa lecture.

Utilisation de la recherche de fichiers

Les fichiers sur un disque MP3 sont rangés selon un ordre spécifique conformément à la présentation ci-dessous.



Pour rechercher des fichiers MP3:

- 1 En mode lecture de MP3, appuyer deux fois sur **AMS. FILE SCH** s'affiche sur l'ACL.
- 2 Appuyer sur **VOL/SEL** pour entrer dans le mode de recherche d'un fichier. **CD01** s'affiche sur l'écran ACL.
- 3 Faire tourner **VOL/SEL** jusqu'à ce que le numéro du CD retenu s'affiche sur l'écran ACL.

- 4 Appuyer sur **VOL/SEL** pour accéder à la partie suivante du nom de fichier. **01** clignote sur l'écran ACL.
- 5 Faire tourner **VOL/SEL** jusqu'à ce que le numéro du fichier MP3 retenu s'affiche sur l'écran ACL.
- 6 Après avoir trouvé la piste recherchée, maintenir appuyée **VOL/SEL** pour procéder à sa lecture.

Utilisation de la recherche de caractères

Pour rechercher des MP3 par caractères:

- 1 En mode lecture de MP3, appuyer trois fois sur **AMS. CHAR SCH** s'affiche sur l'ACL.
- 2 Appuyer sur **VOL/SEL** pour entrer dans le mode de recherche de caractères. **A** clignote sur l'écran ACL.
- 3 Maintenir appuyée **VOL/SEL** pour rechercher toutes les pistes qui commencent par la lettre **A**. Les résultats s'affichent sur l'écran ACL.
- 4 Faire tourner **VOL/SEL** pour sélectionner la piste retenue et maintenir appuyée **VOL/SEL** pour lire la piste.
OU, faire tourner **VOL/SEL** pour sélectionner le numéro de la première piste souhaitée sur le CD et appuyer ensuite sur **VOL/SEL** pour confirmer le premier caractère de la piste retenue.
- 5 Le deuxième caractère **A** clignote sur l'écran ACL. Répéter l'étape 3 pour rechercher tous les caractères dans le nom de la piste.
- 6 Après avoir trouvé la piste recherchée, maintenir appuyée **VOL/SEL** pour procéder à sa lecture.

Entretien du lecteur de CD/MP3

Remplacement des fusibles

- Lors du remplacement des fusibles, vérifier que l'ampérage du nouveau fusible correspond à celui du fusible qui vient d'être retiré.
- Si le fusible grille, vérifier la connexion de l'alimentation avant le remplacement. Si le fusible grille de nouveau après avoir été remplacé, le lecteur a des problèmes qui nécessitent de faire appel à un réparateur.

Attention

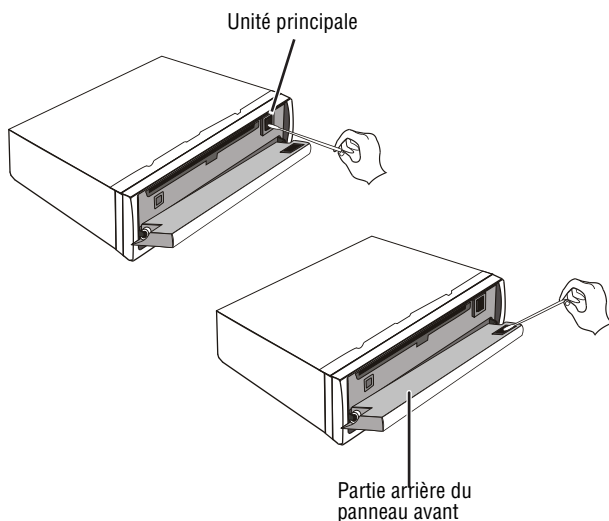
Ne pas utiliser des fusibles dont l'ampérage est supérieur à celui des fusibles fournis afin d'éviter d'endommager le lecteur.

Nettoyage du connecteur

- Si le connecteur entre le lecteur et le panneau avant est sale, le lecteur peut ne pas fonctionner correctement. Pour nettoyer le connecteur, déposer la façade amovible et nettoyer celle-ci avec un coton tige trempé dans l'alcool.

Remarque

Le moteur doit toujours être à l'arrêt et la clé de contact retirée avant de procéder au nettoyage.



Nettoyage du lecteur

- Essayer avec un chiffon propre. Si l'appareil est très sale, humidifier le chiffon avec une solution diluée de détergent neutre et d'eau et le nettoyer. Ne pas utiliser d'air comprimé pour enlever la poussière.

Entretien des CD

- Ne pas toucher la surface de la face du disque dépourvue d'étiquette.
- Ne coller ni papier ni adhésif sur la surface du disque.
- Ne pas exposer le disque à la lumière solaire directe ou à d'autres sources de chaleur excessives.
- Ne pas utiliser de disques à forme irrégulière (tels que les disques cordiformes ou octogonaux). Cela peut être source de fonctionnement défectueux. Utiliser seulement des disques de 12 cm.
- Tenir les disques par la périphérie. Ne pas toucher la surface d'enregistrement du CD.

Nettoyage d'un CD

Un disque sale provoquera une lecture défectueuse (son irrégulier) et s'il est très sale il peut ne pas être lu. Manipuler le disque en le tenant par la périphérie et le centre.

- Les empreintes digitales et la poussière sur la surface enregistrée doivent être essuyées délicatement avec un chiffon doux. Les essuyer d'un mouvement régulier en partant du centre vers la périphérie.
- Ne jamais utiliser de diluant, benzène, nettoyant pour disques conventionnels ou vaporisateur antistatique sur un CD, cela pourrait endommager la surface en plastique.

Problèmes et solutions

Problème	Cause	Solution
Aucune alimentation.	<ul style="list-style-type: none">• Vérifier si le fusible est grillé.	<ul style="list-style-type: none">• Remplacer le fusible par un autre de même ampérage.
Certaines erreurs se produisent sur l'écran ACL ou rien ne fonctionne en appuyant sur la touche.		<ul style="list-style-type: none">• Appuyer sur RESET (Réinitialisation).
Impossible de recevoir des stations.	<ul style="list-style-type: none">• Vérifier que l'antenne est correctement insérée ou qu'elle est correctement connecté.	<ul style="list-style-type: none">• Au besoin, insérer ou connecter correctement l'antenne.
Réception défectueuse	<ul style="list-style-type: none">• L'antenne peut ne pas être complètement déployée ou peut être brisée.• La masse de l'antenne n'est pas correcte.	<ul style="list-style-type: none">• Vérifier que l'antenne est complètement déployée ou remplacer celle-ci par une antenne neuve en cas de bris.• Vérifier que la masse de l'antenne est correcte sur son emplacement de montage.

Problème	Cause	Solution
Impossibles de charger des CD.	Un CD est déjà chargé dans l'autoradio.	Retirer le CD de l'autoradio.
Distorsion de la lecture ou absence du son pendant la lecture du CD	<ul style="list-style-type: none"> Le CD est sale ou endommagé. 	<ul style="list-style-type: none"> Nettoyer le disque.
Pas d'image	<ul style="list-style-type: none"> Le câble vidéo entre l'autoradio principal et le téléviseur n'est pas correctement connecté. 	<ul style="list-style-type: none"> Vérifier que le câble vidéo est correctement connecté.
Les images sautillent.	<ul style="list-style-type: none"> Le standard couleur n'est pas correctement réglé. 	<ul style="list-style-type: none"> Régler le standard couleur du téléviseur connecté sur PAL ou NTSC.

Spécifications

La conception et les spécifications sont sujettes à modifications sans avis préalable.

Généralités	
Alimentation	14,4 V CC (11 à 16 V autorisés)
Impédance de charge	4 ohms
Puissance maximale	40 W x 4
Contrôles de la tonalité	+/- 8 dBm Graves 100 Hz Aigus 10 kHz
Dimensions	

Profondeur	7,6 po (192 mm)
Largeur	7 po (178 mm)
Hauteur	1,97 po (50 mm)
Dimensions du montage	
Profondeur	6,65 po (169 mm)
Largeur	7,17 po (182 mm)
Hauteur	2,09 po (53 mm)
Poids	3,88 lb (1,75 kg)
Sélection FM	
Gamme du syntoniseur (en option)	87,5 à 108 MHz (Chine/Europe) 87.5 à 108 MHz (É.-U.)
Gamme FI	10,7 MHz
Sensibilité utilisable	15 dBu V (- 30 dB)
Rapport signal à bruit	50 dB
Séparation stéréo	30 dB (1 kHz)
Réponse en fréquence	30 à 15 000 Hz
Sélection du syntoniseur AM	
Gamme de fréquence (en option)	522 à 1 620 kHz (Chine/Europe) 530 à 1 710 kHz (É.-U.)
Gamme FI	450 kHz
Sensibilité utilisable	28 dBu V
Sélection du lecteur de CD	
Rapport signal à bruit	65 dB
Séparation	60 dB (1 kHz)
Distorsion	0,5 %

Conformité FCC

Cet appareil est conforme à l'article 15 du règlement de la FCC. Son utilisation est soumise aux deux conditions suivantes : (1) Cet appareil ne doit pas provoquer d'interférences préjudiciables et (2) il doit accepter toute interférence reçue, y compris celles risquant d'engendrer un fonctionnement indésirable.

Cet équipement a été mis à l'essai et déclaré conforme aux limites prévues pour un appareil numérique de classe B, définies dans la section 15 de la réglementation FCC. Ces limites ont été établies pour fournir une protection raisonnable contre les interférences préjudiciables lors d'une installation résidentielle. Cet équipement génère, utilise et diffuse des ondes radio et, s'il n'est pas installé et utilisé conformément aux instructions dont il fait l'objet, il peut provoquer des interférences préjudiciables avec les communications radio. Cependant, il n'est pas possible de garantir qu'aucune interférence ne se produira pour une installation particulière. Si cet équipement produit des interférences importantes lors de réceptions radio ou télévisées, qui peuvent être détectées en éteignant puis en rallumant l'appareil, essayer de corriger l'interférence au moyen de l'une ou de plusieurs des mesures suivantes :

- Réorienter ou déplacer l'antenne réceptrice.
- Augmenter la distance entre l'équipement et le récepteur.
- Brancher l'équipement sur la prise secteur d'un circuit différent de celui auquel le récepteur est relié.

- Contacter le revendeur ou un technicien qualifié pour toute assistance.

Avertissement de la FCC

Tous changements ou modifications qui ne seraient pas expressément approuvés par les responsables de l'application des règles FCC pourraient rendre nul le droit de l'utilisateur d'utiliser cet équipement.

Cet appareil numérique de la classe B est conforme à la norme NMB-003 du Canada.

Certification relative à la sécurité

Ce lecteur de CD/MP3 pour voitures a été fabriqué et testé pour satisfaire aux normes de sécurité de la FCC, aux exigences et règles de conformité du Ministère de la santé des États-Unis (U.S. Département of Health and Human Services), ainsi qu'aux normes d'irradiation 21 CFR, section de chapitre J de la FDA.

Droits d'auteurs

© 2007 Insignia. Insignia et le logo Insignia sont des marques de commerce de Best Buy Enterprise Services, Inc. Les autres noms de marques et de produits mentionnés sont des marques de commerce ou des marques déposées de leurs propriétaires respectifs. Les spécifications et caractéristiques sont susceptibles d'être modifiées sans préavis.

Garantie

Garantie limitée d'un an

Insignia Products (« Insignia ») garantit au premier acheteur de ce **NS-C3112** neuf (« Produit »), qu'il est exempt de vices de fabrication et de main-d'œuvre à l'origine, pour une période de 1 an (1) à partir de la date d'achat du Produit (« Période de garantie »). Ce Produit doit avoir été acheté chez un revendeur agréé des produits de la marque Insignia et emballé avec cette déclaration de garantie. Cette garantie ne couvre pas les Produits remis à neuf. Les conditions de la présente garantie s'appliquent à tout Produit pour lequel Insignia est notifié pendant la Période de garantie, d'un vice couvert par cette garantie qui nécessite une réparation.

Quelle est la durée de la couverture?

La Période de garantie dure 1 an (365 jours) à compter de la date d'achat de ce Produit. La date d'achat est imprimée sur le reçu fourni avec le Produit.

Que couvre cette garantie?

Pendant la Période de garantie, si un vice de matériau ou de main-d'œuvre d'origine est détecté sur le Produit par un service de réparation agréé par Insignia ou le personnel du magasin, Insignia (à sa seule discrétion) : (1) réparera le Produit en utilisant des pièces détachées neuves ou remises à neuf; ou (2) remplacera le Produit par un produit ou des pièces neuves ou remises à neuf de qualité comparable. Les produits et pièces remplacés au titre de cette garantie deviennent la propriété d'Insignia et ne sont pas retournés à l'acheteur. Si les Produits ou pièces nécessitent une réparation après l'expiration de la Période de garantie, l'acheteur devra payer tous les frais de main-d'œuvre et les pièces. Cette garantie reste en vigueur tant que l'acheteur reste propriétaire du Produit Insignia pendant la Période de garantie. La garantie prend fin si le Produit est revendu ou transféré d'une quelconque façon que ce soit à tout autre propriétaire.

Comment obtenir une réparation sous garantie?

Si le Produit a été acheté chez un détaillant, le rapporter accompagné du reçu original chez ce détaillant. Prendre soin de remettre le Produit dans son emballage d'origine ou dans un emballage qui procure la même qualité de protection que celui d'origine. Si le Produit a été acheté en ligne, l'expédier accompagné du reçu original à l'adresse indiquée sur le site Web. Prendre soin de remettre le Produit dans son emballage d'origine ou dans un emballage qui procure la même qualité de protection que celui d'origine.

Pour obtenir le service de la garantie à domicile pour un téléviseur avec écran de 25 po ou plus, appeler le 1-888-BESTBUY. L'assistance technique établira un diagnostic et corrigera le problème au téléphone ou enverra un technicien agréé par Insignia pour la réparation à domicile.

Où cette garantie s'applique-t-elle?

Cette garantie ne s'applique qu'à l'acheteur original du Produit aux États-Unis et au Canada.

Ce qui n'est pas couvert par cette garantie limitée

La présente garantie ne couvre pas :

- la formation du client;
- l'installation;
- les réglages de configuration;
- les dommages esthétiques;
- les dommages résultants de catastrophes naturelles telles que la foudre;
- les accidents;
- une utilisation inadaptée;
- une manipulation abusive;
- la négligence;
- une utilisation commerciale;
- la modification de tout ou partie du Produit, y compris l'antenne.

- un écran plasma endommagé par les images fixes (sans mouvement) qui restent affichées pendant de longues périodes (rémanentes).

La présente garantie ne couvre pas non plus :

- les dommages ayant pour origine une utilisation ou une maintenance défectueuse;
- la connexion à une source électrique dont la tension est inadéquate;
- toute réparation effectuée par quiconque autre qu'un service de réparation agréé par Insignia pour la réparation du Produit;
- les Produits vendus en l'état ou hors service;
- les consommables tels que les fusibles ou les piles;
- les produits dont le numéro de série usine a été altéré ou enlevé.

LA RÉPARATION OU LE REMPLACEMENT, TELS QU'OFFERTS PAR LA PRÉSENTE GARANTIE, CONSTITUENT LE SEUL RECOURS DE L'ACHETEUR. INSIGNIA NE SAURAIT ÊTRE TENU POUR RESPONSABLE DE DOMMAGES ACCESSOIRES OU CONSÉCUTIFS, RESULTANT DE L'INEXÉCUTION D'UNE GARANTIE EXPRESSE OU IMPLICITE SUR CE PRODUIT, Y COMPRIS, SANS S'Y LIMITER, LA PERTE DE DONNÉES, L'IMPOSSIBILITÉ D'UTILISER LE PRODUIT, L'INTERRUPTION D'ACTIVITÉ OU LA PERTE DE PROFITS. INSIGNIA PRODUCTS N'OCTROIE AUCUNE AUTRE GARANTIE EXPRESSE RELATIVE À CE PRODUIT; TOUTES LES GARANTIES EXPRESSES OU IMPLICITES POUR CE PRODUIT, Y COMPRIS MAIS SANS LIMITATION, TOUTE GARANTIE DE QUALITÉ MARCHANDE, D'ADÉQUATION À UN BUT PARTICULIER, SONT LIMITÉES À LA PÉRIODE DE GARANTIE APPLICABLE TELLE QUE DÉCRITE CI-DESSUS ET AUCUNE GARANTIE EXPRESSE OU IMPLICITE NE S'APPLIQUERA APRÈS LA PÉRIODE DE GARANTIE. CERTAINS ÉTATS ET PROVINCES NE RECONNAISSENT PAS LES LIMITATIONS DE LA DURÉE DE VALIDITÉ DES GARANTIES IMPLICITES. PAR CONSÉQUENT, LES LIMITATIONS SUSMENTIONNÉES PEUVENT NE PAS S'APPLIQUER À L'ACHETEUR ORIGINAL. LA PRÉSENTE GARANTIE DONNE À L'ACHETEUR DES GARANTIES JURIDIQUES SPÉCIFIQUES; IL PEUT AUSSI BÉNÉFICIER D'AUTRES GARANTIES QUI VARIENT D'UN ÉTAT OU D'UNE PROVINCE À L'AUTRE.

Pour contacter Insignia :

Pour le service à la clientèle, appeler le 1-877-467-4289

www.insignia-products.com

INSIGNIA^{MC} est une marque de commerce de Best Buy

Enterprise Services, Inc.

Distribué par Best Buy Purchasing, LLC

Insignia, 7601 Penn Avenue South, Richfield, Minnesota, U.S.A.

Unidad de CD/MP3 para auto Insignia NS-C3112

Contenido

Introducción	85
Información de seguridad	86
Características	90
Instalación de su unidad para auto	97
Extracción de su unidad para auto	101
Uso de su unidad para auto	103
Mantenimiento de su reproductor de CD/MP3	118
Localización y corrección de fallas	121
Especificaciones	122
Derechos de reproducción	125
Garantía Limitada	127

Introducción

Felicitaciones por su compra de un producto de alta calidad de Insignia. Su unidad de CD/MP3 para auto NS-C3112 representa lo último en estéreos para auto, y está concebido para brindar un rendimiento confiable y sin problemas.

Información de seguridad

Advertencia

Para reducir el riesgo de incendio o choque eléctrico, no exponga su reproductor a la lluvia o humedad.

Advertencia

Para reducir el riesgo de choque eléctrico, no retire la cubierta (o parte posterior). No hay partes reparables por el usuario en el interior. Para realizar reparaciones, acuda al personal de servicio calificado.

Lea las instrucciones

Lea todas las instrucciones de seguridad y operación antes de operar su unidad.

Guarde las instrucciones

Guarde las instrucciones de seguridad y operación para referencia futura.

Preste atención a las advertencias

Preste atención a todas las advertencias sobre su unidad y las instrucciones de operación.

Siga las instrucciones

Siga todas las instrucciones de operación y uso.

Accesorios

Use sólo los aditamentos y accesorios especificados.

Aberturas y paneles de radiador

No bloquee las aberturas o los paneles de radiador. Bloquearlas causará que se acumule calor adentro y puede resultar en un incendio.

Ingreso de objetos y líquidos

Nunca inserte objetos de ningún tipo a través de las aberturas de la unidad, ya que estos pueden tocar puntos de voltaje peligrosos o hacer cortocircuito con otros componentes, lo cual puede causar un incendio o choque eléctrico. Nunca derrame, ni rocíe líquidos de ninguna clase sobre la unidad.

Daños que requieren reparación

No intente reparar su unidad usted mismo. Abrir o remover las cubiertas lo puede exponer a voltajes peligrosos u otros riesgos. Encomiende su reparación a personal calificado bajo las siguientes condiciones:

- Cuando el cableado se ha dañado.
- Si se ha derramado líquido o han caído objetos dentro de su unidad.
- Si su unidad ha sido expuesta a la lluvia o al agua.
- Si su unidad no funciona normalmente aún siguiendo las instrucciones de operación siguientes. Ajuste únicamente los controles que están cubiertos en las instrucciones de operación, ya que el ajuste incorrecto de otros controles podría resultar en daño y frecuentemente requerirá trabajo intensivo por un técnico calificado para que la unidad vuelva a funcionar normalmente.

Piezas de repuesto

Cuando se necesitan repuestos, asegúrese de que el técnico de reparación use repuestos especificados por Insignia o que tengan las mismas características que la parte original. Las substituciones no autorizadas pueden resultar en incendio, choque eléctrico u otros peligros.

Verificación de seguridad

Después de completar la reparación de su unidad, pídale al técnico de servicio que realice verificaciones de seguridad para determinar que su sistema de audio se encuentra en buena condición de operación.

Ranura para discos

Mantenga sus dedos lejos de la ranura de discos cuando ésta se cierre. Usted se podría lastimar.

Disco

No use discos quebrados, deformados o reparados. Estos discos se pueden quebrar fácilmente y causar serias lesiones personales y mal funcionamiento del producto.

Clasificación del equipo

Esta unidad está clasificada cómo equipo Clase II, lo cual significa que la unidad tiene un sistema de doble aislamiento.



Radiación de láser invisible y peligrosa cuando está abierto y han fallado o se vencieron los seguros. Evite la exposición directa al rayo láser.

Seguridad del láser

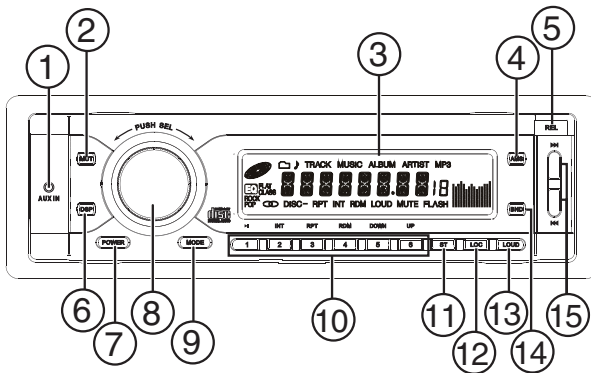
Este sistema de audio tipo ejecutivo emplea un sistema de rayo láser óptico en el mecanismo del CD, el cual está diseñado con medidas de seguridad integradas. No intente desensamblarlo. Acuda al personal de servicio calificado. La exposición a este haz de luz láser invisible puede ser dañina para el ojo humano.

Este es un producto láser de Clase 1. El uso de cualquier otro control, ajuste o procedimiento que no sea especificado en este manual puede resultar en una exposición peligrosa al rayo de luz láser.

Características

Controles

Panel frontal



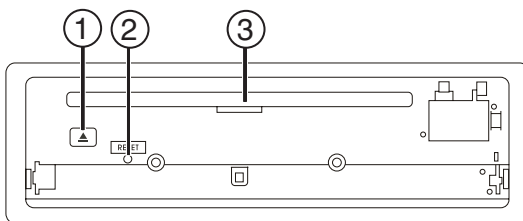
No.	Control	Descripción
1	Toma de entrada auxiliar	Usela para conectar una fuente auxiliar externa.
2	Botón SILENCIAR	Permite cortar la salida de sonido. Presione de nuevo para reanudar el sonido.
3	Panel LCD	La pantalla LCD muestra el estado actual.

No.	Control	Descripción
4	Botón AMS	Mientras se encuentra en el modo de radio, presione rápidamente para escanear cada emisora programada por cinco segundos. Mantenga presionado para activar el almacenamiento automático de la emisora.
5	Botón LIBERAR	Permite liberar el panel frontal.
6	Botón PANTALLA	Permite mostrar la hora.
7	Botón de encendido	Permite encender la unidad. Mantenga presionado para apagar la unidad.
8	Perilla VOL/SEL	Gire para ajustar el volumen. Permite ajustar las características de sonido.
9	Botón MODO	Permite seleccionar el modo: <ul style="list-style-type: none">• Radio• Reproducción• Entrada auxiliar (fuente externa)

No.	Control	Descripción
10	Botones numéricos	Mientras se encuentra en el modo de radio, permite para sintonizar emisoras programadas. Mientras se encuentra en el modo de reproducción, permite activar funciones: <ul style="list-style-type: none">• INT (Intermitente)• RPT (Repetir)• RDM (Aleatorio)• ABAJO• ARRIBA
11	Botón ST	Mientras se encuentra en el modo de radio, permite cambiar entre monofónico y estéreo.
12	Botón LOC	Mientras se encuentra en el modo de radio, permite cambiar entre emisoras distantes y locales.
13	Botón ALTO	Presione y suelte rápidamente para activar la función de volumen alto.
14	Botón BANDA	Mientras se encuentre en el modo de radio, permite seleccionar la banda.

No.	Control	Descripción
15	Botones de selección de emisora/pista ◀◀ ▶▶	Mientras se encuentre en el modo de radio, permite seleccionar la emisora. Presione tres veces para buscar las emisoras automáticamente. Mientras se encuentre en el modo de reproducción, permite seleccionar las pistas. Mantenga presionado para avanzar o retroceder rápidamente.

Base



#	Control	Descripción
1	Botón EXPULSAR	Permite expulsar el disco compacto después de liberar el panel frontal.
2	Botón RESTABLECER	Permite configurar la unidad con los ajustes iniciales de fábrica.
3	Ranura para cargar discos	Inserte un disco en esta ranura para reproducirlo.

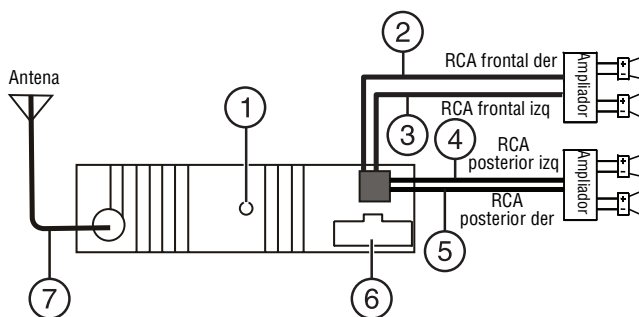
Cableado

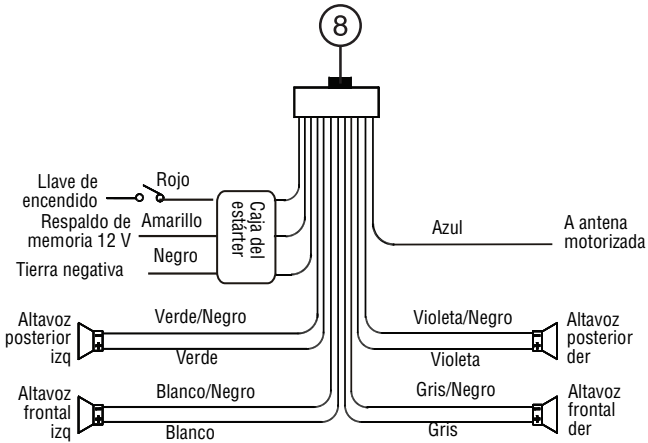
Cuidado

Asegúrese de que conecta los cables codificados por color de acuerdo al diagrama. Conexiones incorrectas pueden causar que la unidad mal funcione o dañe el sistema eléctrico del vehículo.

Asegúrese de conectar los cables de altavoz (-) a los terminales (-) de los altavoces. Nunca conecte los cables de altavoz izquierdo y derecho entre ellos o al chasis del vehículo.

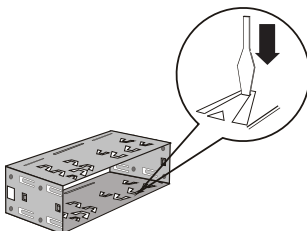
Asegúrese de que todas las conexiones están completamente correctas antes de encender su unidad.



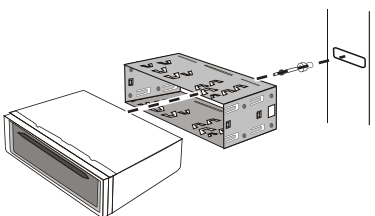


#	Conexión
1	Agujeros de tornillos
2	Toma RCA frontal derecho
3	Toma RCA frontal izquierdo
4	Toma RCA posterior izquierdo
5	Toma RCA posterior derecho
6	Toma de salida
7	Receptáculo de antena
8	Conector de salida para toma de salida

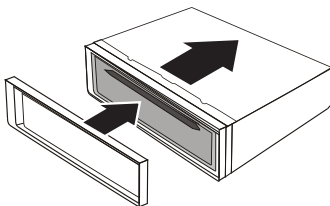
- 2** Doble las pestañas de montaje hacia afuera hasta que el estuche de montaje se encuentre fijo.



- 3** Instale el estuche de montaje al cortafuego del auto para obtener soporte adicional.

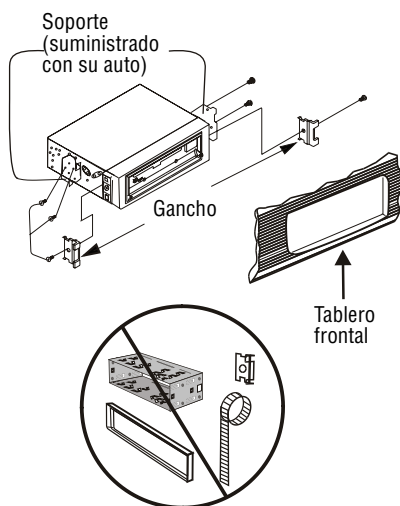


- 4** Deslice la unidad para auto en el estuche de montaje y fije la cubierta frontal a la parte frontal de la unidad de auto.



Para instalar su unidad para auto usando el método de tornillo:

- 1** Remueva los ganchos de los dos lados de la unidad para auto.
- 2** Alinee los dos agujeros de tornillos a cada lado de la unidad para auto con los agujeros de tornillo del soporte de montaje (suministrado con el vehículo), luego apriete los tornillos para fijar la unidad para auto.

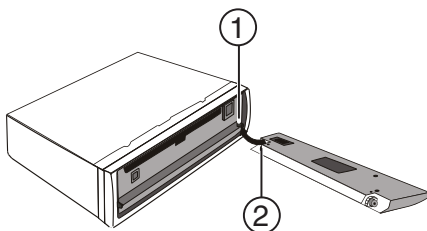
**Nota**

El marco exterior, el gancho y el estuche de montaje no se usan para la instalación.

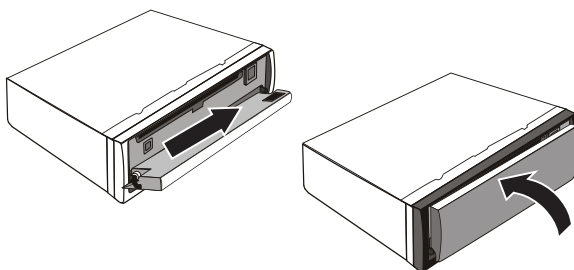
Instalación y extracción de la cubierta frontal

Para instalar la cubierta frontal:

- 1 Alinee la cubierta frontal al encajar el hueco (2) en el eje (1) y presionar la cubierta frontal en el lado derecho.

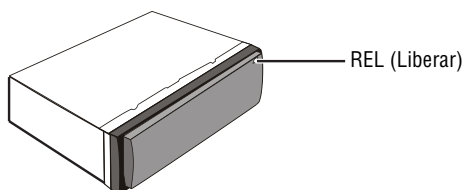


- 2 Para fijar la cubierta frontal a la parte frontal de la unidad de auto, deslice la cubierta frontal hacia la derecha y arriba.

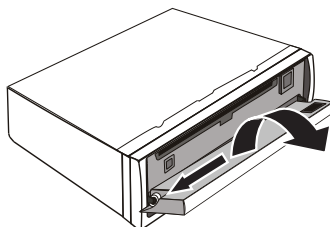


Para extraer la cubierta frontal:

- 1 Presione el botón **REL** ubicado en la esquina superior derecha de la unidad de auto. La cubierta frontal se libera y se dobla.



- 2 Sostenga la cubierta frontal a un ángulo de 45 grados y deslícela hacia la izquierda para removerla.

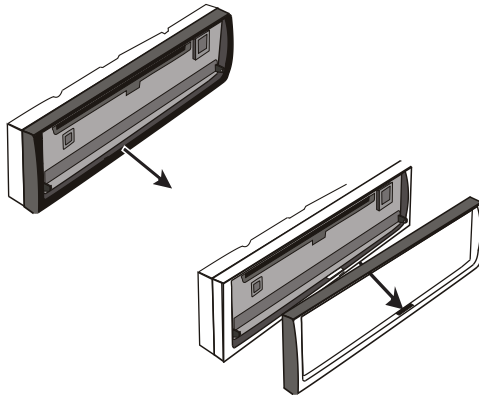


Extracción de su unidad para auto

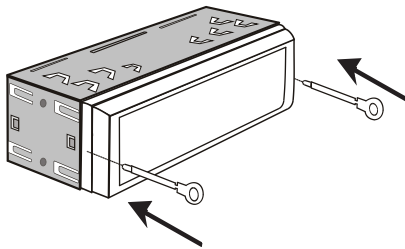
Para extraer la unidad para auto del vehículo:

- 1 Extraiga la cubierta frontal.

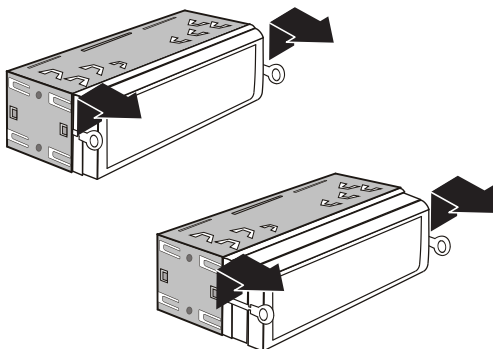
- 2** Si se utiliza el marco exterior, remuévalo jalándolo hacia afuera.



- 3** Inserte las llaves suministradas con la unidad de auto en los dos lados de la unidad de auto hasta que escuche un clic.



- 4** Jale las llaves en su dirección para remover la unidad para auto y el estuche de montaje del tablero frontal.



Para instalar su unidad para auto usando el método de tornillo:

- Remueva los ganchos de los dos lados de la unidad para auto.

Uso de su unidad para auto

Operación de la unidad para auto

La pantalla cambia de acuerdo al botón presionado o la función seleccionada.

Para encender y apagar el sintonizador:

- 1 Presione **POWER** para activar el sintonizador.
O, inserte un CD en la ranura de discos con la unidad apagada.
El reproductor de CD/MP3 comenzará a reproducir.
- 2 Mantenga presionado **POWER** para apagar completamente la unidad para auto.

Para ajustar el sonido:

- 1 Gire **VOL/SEL** en el sentido de las agujas del reloj para subir el volumen.
- 2 Gire **VOL/SEL** en el sentido contrario de las agujas del reloj para bajar el volumen.

Para restaurar la unidad para auto:

- 1 Cuando use la unidad para auto por primera vez o después de reemplazar la batería de auto, reinicie la unidad para auto presionando **RESET** con un objeto con punta.
- 2 Presione **RESET** cuando se observen errores en la pantalla. El ajuste del reloj y algunas funciones memorizadas se borrarán.

Para expulsar un disco atascado:

- 1 Si un disco se atasca en la unidad para auto y presionar **EJECT** no lo expulsa, presione **MODE** para cambiar al modo de radio.
- 2 Libere la cubierta frontal y mantenga presionado **EJECT** por tres segundos. Se expulsará el disco.

Para usar la entrada auxiliar:

- 1 Inserte el conector de audio de un equipo externo en el toma **Aux In** al frente de la unidad para auto. Se subirá el volumen.

- 2 Remueva el equipo externo para reanudar el volumen normal.

Para mostrar y ajustar la hora:

- 1 Presione **DISPLAY** para mostrar la hora actual en la pantalla LCD. Después de mostrar la hora por cinco segundos, la pantalla LCD regresará a su estado normal.
- 2 Para ajustar la hora, mantenga presionado **DISPLAY** hasta que los números digitales del reloj comiencen a parpadear. Gire **VOL/SEL**.
 - Gire en el sentido de las agujas del reloj para ajustar las horas.
 - Gire en el sentido contrario a las agujas de reloj para ajustar los minutos.

Si no se ajusta nada por cinco segundos, la hora regresará a su estado de presentación original.

- 3 Presione **DISPLAY** de nuevo para guardar los cambios hechos a la hora.

Ajuste de la configuración de la unidad para auto

Ajuste del sonido

Para ajustar las características de sonido:

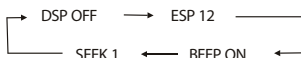
- 1 Presione **VOL/SEL** para mostrar los modos de sonido en la pantalla LCD:
 - VOL (Volumen)
 - BAS (Graves)
 - TRE (Agudos)
 - FAD (Atenuador)
 - BAL (Balance)

- 2 Presione **VOL/SEL** repetidamente para seleccionar el modo deseado, luego gire **VOL/SEL** para ajustar el nivel correcto.

Cuando se ajuste algunos modos, si no presiona **VOL/SEL** dentro de tres segundos, el modo regresará automáticamente al nivel anterior.

Para ajustar las características de visualización del sonido:

- 1 Presione y sostenga **VOL/SEL** por tres segundos para mostrar los modos de visualización en la pantalla LCD:
 - DISP OFF (En el modo de radio, ajusta la calidad del sonido)
 - ESP 12 (En el modo de reproducción, determina el tiempo del buffer de reproducción)
 - SEEK 1 (Ajusta la velocidad de búsqueda del sintonizador)
 - BEEP ON (Activa o desactiva el bip)



- 2 Presione **VOL/SEL** repetidamente para seleccionar el modo deseado, luego gire **VOL/SEL** para ajustar el estado del modo seleccionado.
- 3 Después de seleccionar **DISP OFF** (Desactivar visualización), el estado cambia para ajustar la calidad del sonido del sintonizador en el siguiente orden:
 - DISP OFF (Visualización apagada)
 - POP M (Música Pop)
 - FLAT M (Música sin efecto)
 - CLASSIC M (Música clásica)

- ROCK M (Música Rock)



En este modo, los modos **BAS** y **TREB** en las características de sonido regresan a sus ajustes iniciales y los iconos **BASS** y **TREBLE** no se muestran en la pantalla LCD.

- Después de seleccionar **ESP 12**, gire **VOL/SEL** para seleccionar uno de las siguientes opciones para configurar los tiempos del buffer de reproducción (en el modo de reproducción) cuando se reproducen CDs o MP3s:
 - ESP 12 (12 segundos de tiempo de buffer)
 - ESP 45 (45 segundos de tiempo de buffer)
- Después de seleccionar **SEEK 1**, presione **VOL/SEL** para elegir una velocidad de búsqueda mientras se encuentra el modo de radio. La velocidad de búsqueda se usa cuando se buscan emisoras de radio. Hay dos opciones:
 - SEEK 1 (Velocidad más lenta)
 - SEEK 2 (Velocidad más rápida)

La velocidad seleccionada se muestra en la pantalla LCD.
- Después de seleccionar **BEEP ON** (Bip activado), presione **VOL/SEL** para habilitar la opción de bip del audio. Hay dos formas de determinar si el bip de audio está activado o no:
 - BEEP ON (Bip activado)
 - BEEP OFF (Bip desactivado)

Nota

Si la selección no se ajusta dentro de 10 segundos, la configuración regresará a su modo anterior.

Uso de las características

Uso del volumen alto

Para activar y desactivar el volumen alto:

- 1** Presione **LOUD**. El volumen alto se encuentra activado, lo que puede mejorar la sensibilidad para sus oídos.
- 2** Presione **LOUD** repetidamente para subir la frecuencia baja hasta que **LOUD** aparezca en la pantalla LCD. Presione **LOUD** de nuevo para desactivar el volumen alto.

Uso del silenciamiento

Para activar y desactivar el silenciamiento:

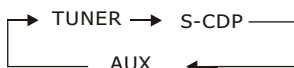
- 1** Presione **MUTE** para desactivar la entrada de sonido. El indicador **MUTE** aparece en la pantalla LCD.
- 2** Presione **MUTE** de nuevo para restaurar el nivel de volumen.

Uso del selector de modo

Para cambiar el modo:

- 1** Presione **MODE** para mostrar la pantalla de selección de modo en la pantalla LCD:
 - Tuner (Modo de radio)
 - S-CDP (Modo de reproducción de un disco)

- Aux (Modo auxiliar)



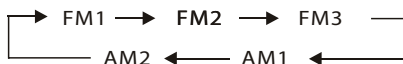
- 2 Presione **MODE** para cambiar de un modo a otro.

Uso del radio

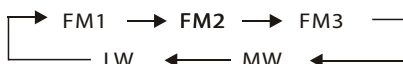
Selector de banda

Para seleccionar una banda de frecuencia:

- 1 Seleccione el modo de radio y presione **BAND**.
Presione **BAND** de nuevo para cambiar el ajuste.
- 2 Seleccione una de las siguientes opciones:
Para dos bandas:



Para tres bandas:



Sintonización manual/automática

Para seleccionar la opción de sintonización:

- 1** Seleccione el modo de radio y presione uno de los botones Select Station (Seleccionar emisora) .
- 2** Para sintonizar manualmente, mantenga presionado un botón Select Station para moverse más arriba o abajo en la banda.
- 3** Para sintonizar automáticamente, mantenga presionado un botón Select Station por tres segundos. La radio busca automáticamente una emisora más alta o más baja en la banda y se detiene a reproducir cuando se encuentra una emisora.

Botones numéricos

Para usar los botones numéricos:

- 1** En el modo de radio, presione uno de los seis botones numéricos para escuchar una emisora programada.
- 2** Mantenga presionado los botones numéricos para memorizar emisoras.
 - Cuando se sintoniza la transmisión de una emisora, mantenga presionada uno de los seis botones numéricos hasta que se muestra el número en la pantalla LCD. Esto indica que la emisora se ha guardado en el área de la memoria con el número correspondiente.
 - Presione **AMS** para escanear automáticamente y programar las emisoras de radio.

- Cuando escuche una emisora de radio programada, mantenga presionado otro botón numérico por dos segundos para programar la misma emisora en otro número.

Escaneo y memorización automática de emisoras

Para determinar la recepción de la emisora de radio:

- 1** Seleccione el modo de radio y presione **AMS** para escanear. Cada emisora programada se reproducirá por cinco minutos y luego se moverá automáticamente a la siguiente emisora programada.
O, presione los botones numéricos que correspondan a la emisora que desea programar. Se transmite la emisora seleccionada.
- 2** Mantenga presionado **AMS** por tres segundos para activar automáticamente la función de almacenamiento en memoria. La unidad para auto guarda automáticamente la emisora seleccionada, la cual se puede llamar usando los botones numéricos.

Nota

La unidad para auto puede guardar hasta seis emisoras para cada banda. La emisora se asigna al siguiente botón numérico disponible del 1 al 6.

Selección de sonido monofónico o estéreo

Para seleccionar el sonido monofónico o estéreo:

- 1** Seleccione el modo de radio y presione **ST**. Presione **ST** de nuevo para cambiar el ajuste.
- 2** Seleccione **ST** para recibir una señal estéreo. Un icono de estéreo se muestra en la pantalla LCD.
- 3** Seleccione **MO** para recibir una señal monofónica. No aparece ningún icono en la pantalla LCD.

Uso del reproductor de CD/MP3

Reproducción de discos

Para reproducir discos:

- 1** Inserte un disco con la etiqueta hacia arriba en la ranura de discos.
- 2** Si la unidad para auto no está encendida, se encenderá y el disco comenzará a reproducirse inmediatamente.
- 3** Si un disco ya se encuentra en la unidad para auto y se está escuchando la radio, presione **MODE** para comenzar a reproducir.

Para repetir la reproducción:

- 1** Presione **REPEAT** para repetir la reproducción de la pista actual. El indicador **RPT** se muestra en la pantalla LCD.
- 2** Presione **REPEAT** de nuevo para cancelar la reproducción repetida.

Para pausar la reproducción:

- 1 Presione un botón numérico para pausar la reproducción. El indicador PAUSE se muestra en la pantalla LCD.
- 2 Presione de nuevo el mismo botón numérico para cancelar la pausa.

Retroceso/avance rápido**Para retroceder o avanzar a través del disco:**

- 1 En el modo de reproducción CD, mantenga presionado uno de los botones **Select Track** . La velocidad de reproducción aumenta.
- 2 Cuando la pista deseada se ha ubicado, suelte el botón **Select Track** .

Selección de pistas**Para seleccionar las pistas:**

- 1 En el modo de reproducción CD, presione uno de los botones **Select Track** . Se detiene la reproducción de la pista actual y comienza de nuevo al principio de la pista actual.
- 2 Presione uno de los botones **Select Track** de nuevo dentro de tres segundos para ir al principio de la pista anterior o la siguiente.

Escaneo automático de pistas

Para escanear pistas automáticamente:

- 1** En el modo de reproducción de CD, presione uno de los seis botones numéricos para reproducir los primeros diez segundos de cada pista en el disco. El indicador **INT** se muestra en la pantalla LCD, junto con el número de pista y el tiempo transcurrido.
- 2** Presione de nuevo el mismo botón numérico para comenzar la reproducción de toda la pista. El indicador **INT** ya no se muestra en la pantalla LCD.

Reproducción de pistas en orden aleatorio

Para reproducir las pistas en orden aleatorio:

- 1** En el modo de reproducción CD, presione uno de los seis botones numéricos para reproducir las pistas sin ningún orden específico. El indicador **RDM** se muestra en la pantalla LCD.
- 2** Presione de nuevo el mismo botón numérico para regresar a la reproducción normal. El indicador **RDM** ya no se muestra en la pantalla LCD.

Uso de los botones numéricos

Para usar los botones numéricos:

- 1** En el modo de reproducción de CD, mantenga presionado el botón numérico **1** para reproducir la primera pista del disco.
- 2** Durante la reproducción de MP3, mantenga presionado el botón numérico **5** para regresar a y reproducir la décima pista del disco antes de la pista actual.

- 3 Durante la reproducción de MP3, mantenga presionado el botón numérico **6** para avanzar a y reproducir la décima pista del disco antes de la pista actual.

Búsqueda de pistas MP3

En el modo de reproducción de MP3, puede buscar discos por pista, por archivo y por carácter. Hay dos métodos para buscar las pistas en un disco:

- por incrementos
- por número de pista.

Uso de la búsqueda de pista

Para buscar las pistas de MP3 en incrementos:

- 1 En el modo de reproducción de MP3, presione **AMS** una vez. El indicador **TRK SCH** se muestra en la pantalla LCD.
- 2 Presione **VOL/SEL**. El indicador **TRK 001** se muestra en la pantalla LCD.
- 3 Gire **VOL/SEL** en el sentido de las agujas del reloj para buscar en el disco en incrementos hacia arriba.
- 4 Gire **VOL/SEL** en el sentido contrario de las agujas del reloj para buscar en el disco en incrementos hacia abajo.
- 5 Cuando se encuentra la pista deseada, mantenga presionado **VOL/SEL** para reproducir la pista.

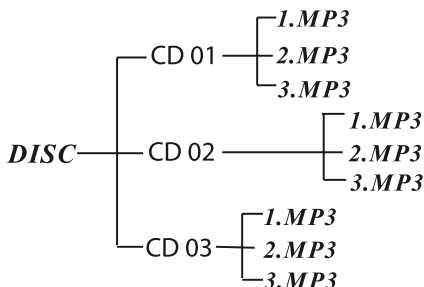
Para buscar las pistas MP3 por número de pista:

- 1 En el modo de reproducción de MP3, presione **AMS** una vez. El indicador **TRK SCH** se muestra en la pantalla LCD.

- 2 Presione **VOL/SEL**. El indicador **TRK 001** se muestra en la pantalla LCD. El **1** en el indicador **001** parpadeará dos veces por segundo.
- 3 Gire **VOL/SEL** en el sentido contrario de las agujas del reloj hasta que el número de pista que guste aparezca en la pantalla LCD.
- 4 Presione y suelte **VOL/SEL** para confirmar la selección del número de pista.
- 5 El **0** de en medio en el indicador **001** parpadeará dos veces por segundo. Repita los pasos 3 y 4 para seleccionar esta parte del número de pista.
- 6 Cuando se encuentra la pista deseada, mantenga presionado **VOL/SEL** para reproducir la pista.

Uso de la búsqueda de archivo

Los archivos en un disco MP3 están organizados en un orden determinado, cómo se muestra a continuación.



Para buscar archivos MP3:

- 1 En el modo de reproducción de MP3, presione **AMS** dos veces. El indicador **FILE SCH** se muestra en la pantalla LCD.

- 2** Presione **VOL/SEL** para ingresar al modo de búsqueda de archivos. El indicador **CD01** parpadea en la pantalla LCD.
- 3** Gire **VOL/SEL** hasta que el número de CD deseado se muestre en la pantalla LCD.
- 4** Presione **VOL/SEL** para acceder a la siguiente porción del nombre de archivo. El indicador **01** parpadea en la pantalla LCD.
- 5** Gire **VOL/SEL** hasta que el número de archivo MP3 deseado se muestre en la pantalla LCD.
- 6** Cuando se encuentra la pista deseada, mantenga presionado **VOL/SEL** para reproducir la pista.

Uso de la búsqueda de carácter

Para buscar MP3s por carácter:

- 1** En el modo de reproducción de MP3, presione **AMS** tres veces. El indicador **CHAR SCH** se muestra en la pantalla LCD.
- 2** Presione **VOL/SEL** para ingresar al modo de búsqueda de carácter. El indicador **A** parpadea en la pantalla LCD.
- 3** Mantenga presionado **VOL/SEL** para seleccionar todas las pistas que comienzan con **A**. Los resultados se muestran en la pantalla LCD.
- 4** Gire **VOL/SEL** para seleccionar la pista deseada, luego mantenga presionado **VOL/SEL** para reproducir la pista.
O, gire **VOL/SEL** para seleccionar el primer número de la pista de CD deseada y presione **VOL/SEL** para confirmar el primer carácter de la pista deseada.
- 5** El segundo carácter **A** parpadea en la pantalla LCD. Repita el paso 3 para encontrar todos los caracteres en el nombre de la pista.

- 6 Cuando se encuentra la pista deseada, mantenga presionado **VOL/SEL** para reproducir la pista.

Mantenimiento de su reproductor de CD/MP3

Reemplazo de los fusibles

- Cuando reemplace los fusibles, asegúrese de que la capacidad del fusible nuevo es la misma que la capacidad del fusible removido.
- Si los fusibles se funden, revise la conexión de alimentación antes de reemplazarlos. Si los fusibles se funden de nuevo después de reemplazarlos, hay un problema con el reproductor que necesita reparación.

Cuidado

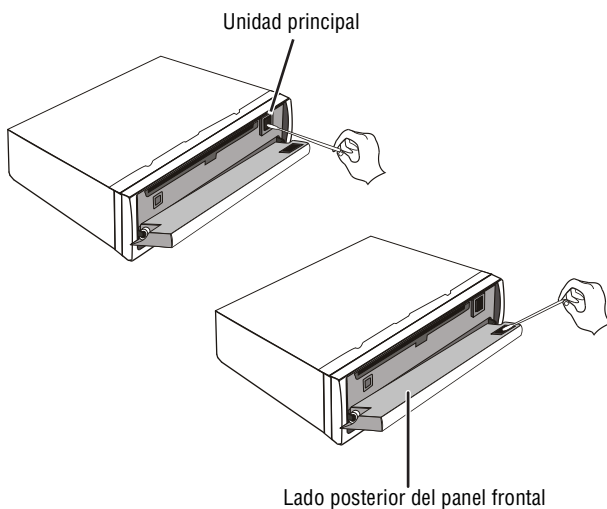
No use fusibles con capacidades más altas que la de los fusibles suministrados para evitar dañar el reproductor.

Limpieza del conector

- Si el conector entre el reproductor y panel frontal está sucio, puede ser que el reproductor no funcione correctamente. Para limpiar el conector, remueva la cubierta frontal y limpie delicadamente el conector con un algodón.

Nota

Siempre apague el motor y saque la llave de la ignición antes de limpiar la unidad.



Limpieza del reproductor

- Limpie la caja con un paño suave. Si el reproductor está muy sucio, humedezca un paño con una solución suave de detergente neutral y agua, y luego límpielo. No use aire comprimido para limpiar el polvo.

Cuidado de los CDs

- No toque la superficie del lado sin etiqueta del disco.
- No pegue papel o cinta adhesiva en la superficie del disco.
- No exponga el disco a la luz solar directa o a calor excesivo.
- No use discos con formas irregulares (por ejemplo: discos con forma de corazones u octagonales). Estos pueden causar un mal funcionamiento. Use sólo discos de 12 cm.
- Sostenga el disco por las orillas. No toque la superficie de grabación del CD.

Limpieza de CD

Un disco sucio causa saltos de sonido y si está muy sucio, puede que el CD deje de funcionar completamente. Manipule el disco sujetándolo por los bordes interior y exterior.

- Las huellas digitales y el polvo deben eliminarse cuidadosamente de la superficie grabada del CD con un paño suave. Se debe limpiar con un movimiento recto desde el centro hacia la orilla.
- Nunca utilice diluyente, benceno, limpiadores de discos, o aerosoles antiestáticos en un CD ya que dichos productos pueden dañar su superficie plástica.

Localización y corrección de fallas

Problema	Causa	Solución
La unidad no enciende.	<ul style="list-style-type: none"> Revise si el fusible está fundido. 	<ul style="list-style-type: none"> Reemplace el fusible con otro fusible del mismo valor.
Algunos errores ocurren en la pantalla LCD o nada sucede cuando se presiona un botón.		<ul style="list-style-type: none"> Presione RESET.
No se pueden sintonizar emisoras.	<ul style="list-style-type: none"> Asegúrese de que la antena está insertada o conectada correctamente. 	<ul style="list-style-type: none"> Si es necesario, inserte o conecte la antena correctamente.
Mala recepción de las emisoras	<ul style="list-style-type: none"> Puede ser que la antena no esté completamente extendida o puede estar quebrada. La antena está mal conectada a tierra. 	<ul style="list-style-type: none"> Asegúrese de que la antena está completamente extendida o reemplace la antena quebrada con una nueva. Asegúrese de que la antena está bien conectada a tierra en su lugar de montaje.

Problema	Causa	Solución
No se pueden cargar los CDs.	Ya se ha cargado un CD en la unidad para auto.	Remueva el CD de la unidad para auto.
Reproducción distorsionada o pérdida de sonido durante la reproducción de CD	<ul style="list-style-type: none"> El CD está sucio o dañado. 	<ul style="list-style-type: none"> Limpie el disco.
No se ven imágenes.	<ul style="list-style-type: none"> El cable de video de la unidad para auto principal al televisor no está conectado correctamente. 	<ul style="list-style-type: none"> Asegúrese de que el cable de video esté conectado correctamente.
Se saltan las imágenes.	<ul style="list-style-type: none"> El sistema de color está configurado de forma incorrecta. 	<ul style="list-style-type: none"> Seleccione el sistema de color del televisor conectado a PAL o NTSC.

Especificaciones

El diseño y las especificaciones están sujetos a cambio sin aviso previo.

General	
Requisitos de alimentación	14.4 V CC (11-16 V permisible)
Impedancia de carga	4 ohmios
Potencia máx. de salida	40 W x 4
Controles de tono	+/-8 dBm Graves 100 Hz Agudos 10 KHz

Dimensiones	
Profundidad	7.6 pulgadas (192 mm)
Ancho:	7 pulgadas (178 mm)
Alto	1.97 pulgadas (50 mm)
Dimensiones de montaje	
Profundidad	6.65 pulgadas (169 mm)
Ancho:	7.17 pulgadas (182 mm)
Alto	2.09 pulgadas (53 mm)
Peso	3.88 lb. (1.75 kg)
Selección de FM	
Rango de sintonización (opcional)	87.5-108 MHz (China/Europa) 87.5-108 MHz (EEUU)
Rango de IF	10.7 MHz
Sensibilidad utilizable	15 dBu V (-30 dB)
Relación señal-ruido	50 dB
Separación estéreo	30 dB (1 kHz)
Respuesta en frecuencia	30-15000 Hz
Selección del sintonizador AM	
Rango de frecuencia (opcional)	522-1620 kHz (China/Europa) 530-1710 kHz (EEUU)
Rango de IF	450 kHz
Sensibilidad utilizable	28 dBu V
Selección del reproductor de CD	
Relación señal-ruido	65 dB
Separación	60 dB (1 kHz)
Distorsión	0.5%

Declaración de cumplimiento con FCC

Este dispositivo satisface la parte 15 del reglamento FCC. La operación de este producto está sujeta a las dos condiciones siguientes: (1) Este dispositivo no puede causar interferencia dañina, y (2) este dispositivo debe aceptar cualquier interferencia recibida incluyendo interferencias que puedan causar una operación no deseada.

Este equipo ha sido sometido a prueba y se ha determinado que satisface los límites establecidos para ser clasificado como dispositivo digital de la Clase B de acuerdo con la Parte 15 del reglamento FCC. Estos límites se han establecido para proporcionar una protección razonable contra interferencias perjudiciales en una instalación residencial. Este equipo genera, usa y puede emitir energía de radiofrecuencia. Si no se instala y usa de acuerdo con las instrucciones, este aparato puede causar interferencias perjudiciales a las comunicaciones de radio. Sin embargo, no se garantiza que no ocurrirá interferencia en una instalación particular. Si el equipo causa interferencias perjudiciales en la recepción de la señal de radio o televisión, lo cual puede comprobarse encendiéndolo y apagándolo alternativamente, se recomienda al usuario corregir la interferencia mediante uno de los siguientes procedimientos:

- Cambie la orientación o la ubicación de la antena receptora.
- Aumente la distancia entre el equipo y el receptor.
- Conecte el equipo a un tomacorriente de un circuito distinto de aquel al que está conectado el receptor.

- Solicite consejo al distribuidor o a un técnico calificado para obtener ayuda.

Advertencia de la FCC

Cualquier cambio o modificación que no esté aprobado expresamente por la parte responsable por el cumplimiento con el reglamento de FCC puede anular la autoridad del usuario para operar el equipo.

Este aparato digital de Clase B cumple con el ICES-003 canadiense.

Certificación de seguridad

Este reproductor de CD/MP3 está hecho y probado para cumplir con los estándares de seguridad de los requisitos del FCC y con el rendimiento de seguridad del Departamento Estadounidense de Salud y Servicios Humanos, y también con los estándares de rendimiento 21 CFR, subcapítulo J de la radiación del FDA.

Derechos de reproducción

© 2007 Insignia. Insignia y el logotipo de Insignia son marcas de comercio de Best Buy Enterprise Services, Inc. Otras marcas y nombres de productos son marcas de comercio o marcas registradas de sus dueños respectivos. Las especificaciones y características están sujetas a cambio sin aviso previo u obligación.

Garantía

Garantía Limitada de 1 Año

Insignia Products ("Insignia") le garantiza a usted, el comprador original de este nuevo **NS-C3112** ("Producto"), que éste se encontrará libre de defectos de material o de mano de obra en su fabricación original por un periodo de un (1) año a partir de la fecha de compra del Producto ("Período de Garantía"). Este Producto debe ser comprado en un distribuidor autorizado de productos Insignia y empacado con esta declaración de garantía. Esta garantía no cubre Productos reacondicionados. Si notifica a Insignia durante el Período de Garantía sobre un defecto cubierto por esta garantía que requiere reparación, los términos de esta garantía se aplican.

¿Cuánto dura la garantía?

El Período de Garantía dura por 1 año (365 días) a partir de la fecha en que compró el Producto. La fecha de compra se encuentra impresa en el recibo que recibió con el Producto.

¿Qué es lo que cubre esta garantía?

Durante el Período de Garantía, si un centro de reparación autorizado de Insignia concluye que la fabricación original del material o la mano de obra del Producto se encuentran defectuosos Insignia (cómo su opción exclusiva): (1) reparará el Producto con repuestos nuevos o reacondicionados; o (2) reemplazará el Producto con uno nuevo o con uno reacondicionado con repuestos equivalentes. Los Productos y repuestos reemplazados bajo esta garantía se volverán propiedad de Insignia y no se le regresarán a usted. Si se requiere la reparación de Productos o partes después de que se vence el Período de Garantía, usted deberá pagar todos los costos de mano de obra y de repuestos. Esta garantía estará vigente con tal que usted sea el dueño de su producto Insignia durante el periodo de garantía. El alcance de la garantía se termina si usted vende o transfiere el producto.

¿Cómo se obtiene la reparación de garantía?

Si ha comprado el Producto en una tienda de ventas, lleve su recibo original y el Producto a la tienda en donde lo compró. Asegúrese de que vuelva a colocar el Producto en su empaque original o en un empaque que provea la misma protección que el original. Si compró el Producto en un sitio Web, envíe por correo su recibo original y el Producto a la dirección postal listada en el sitio Web. Asegúrese de colocar el Producto en su empaque original o en un empaque que provea la misma protección que el original.

Para obtener servicio de garantía a domicilio para un televisor con una pantalla de 25 pulgadas o más, llame al 1-888-BESTBUY. El soporte técnico diagnosticará y corregirá el problema por teléfono o enviará un técnico certificado por Insignia a su casa.

¿En dónde es válida la garantía?

Esta garantía sólo es válida al comprador original del producto en los Estados Unidos y en Canadá.

¿Qué es lo que no cubre la garantía?

Esta garantía no cubre:

- Capacitación del cliente
- Instalación
- Ajuste de configuración
- Daños cosméticos
- Daños debido a actos de la naturaleza, tal como rayos
- Accidentes
- Mal uso
- Abuso
- Negligencia
- Uso comercial
- Modificación de alguna parte del Producto, incluyendo la antena

- Un panel de pantalla de plasma dañado por la persistencia de imágenes estáticas (sin movimiento), mostradas por periodos de tiempo extendido (efecto “burn-in”).

Esta garantía tampoco cubre:

- Daño debido al uso o mantenimiento incorrecto
- La conexión a una fuente de voltaje incorrecta
- El intento de reparación por alguien que no sea una compañía autorizada por Insignia para reparar el Producto
- Productos vendidos tal cual (en el estado en que se encuentran) o con todas sus fallas
- Productos consumibles, tal como fusibles o baterías
- Productos en los cuales el número de serie asignado en la fábrica ha sido alterado o removido.

EL REEMPLAZO DE REPARACIÓN SEGÚN PROVISTO BAJO ESTA GARANTÍA ES SU ÚNICO RECURSO. INSIGNIA NO SERÁ RESPONSABLE POR DAÑOS INCIDENTALES O CONSECUENTES DEBIDO AL INCUMPLIMIENTO DE CUALQUIER GARANTÍA EXPRESA O IMPLÍCITA RELACIONADA CON ESTE PRODUCTO, INCLUYENDO PERO SIN LIMITARSE A LA PÉRDIDA DE INFORMACIÓN, LA PÉRDIDA DE NEGOCIOS O DE GANANCIAS. INSIGNIA PRODUCTS NO HACE NINGUNA OTRA GARANTÍA EXPRESA E IMPLÍCITA RELACIONADA A ESTE PRODUCTO, INCLUYENDO PERO SIN LIMITARSE A, CUALQUIER GARANTÍA IMPLÍCITA DE O CONDICIONES DE COMERCIALIZACIÓN O IDONEIDAD PARA UN USO PARTICULAR, ESTÁN LIMITADAS EN DURACIÓN AL PERÍODO DE GARANTÍA DECLARADO ANTERIORMENTE Y NINGUNA GARANTÍA YA SEA EXPRESA O IMPLÍCITA SE APLICARÁ DESPUÉS DEL PERÍODO DE GARANTÍA. ALGUNOS ESTADOS, PROVINCIAS Y JURISDICCIÓNES NO PERMITEN RESTRICCIONES EN CUANTO A LA DURACIÓN DE UNA GARANTÍA IMPLÍCITA, ASÍ QUE LA RESTRICCIÓN ANTERIOR PUEDE NO APLICARSE EN SU CASO. ESTA GARANTÍA LE DA DERECHOS LEGALES ESPECÍFICOS, Y USTED PUEDE POSEER OTROS DERECHOS QUE VARIAN DE ESTADO A ESTADO, O DE PROVINCIA A PROVINCIA.

Comuníquese con Insignia:
Para servicio al cliente favor llamar al 1-877-467-4289
www.insignia-products.com
INSIGNIA™ es una marca comercial de Best Buy Enterprise
Services, Inc.
Distribuido por Best Buy Purchasing, LLC
Insignia, 7601 Penn Avenue South, Richfield, Minnesota, U.S.A.

NS-C-3112

INSIGNIA™

www.insignia-products.com

131

INSIGNIA™

Distributed by Insignia™ Products
Distribué par Insignia™ Products
Distribuido por Insignia™ Products

7601 Penn Avenue South
Richfield, MN USA 55423-3645
www.insignia-products.com

© 2006 Insignia™ Products. All rights reserved. All other products and brand names are trademarks of their respective owners.
© 2006 Insignia™ Products. All rights reserved. All other products and brand names are trademarks of their respective owners.

© 2007 produits Insignia™. Tous droits réservés. Tous les autres produits ou noms de marques sont des marques de commerce qui appartiennent à leurs propriétaires respectifs.
© 2006 productos Insignia™. Todos los derechos reservados. Todos los demás productos y marcas son marcas comerciales de sus respectivos dueños.

© 2007 productos Insignia™. Todos los derechos reservados. Todos los demás productos y marcas son marcas comerciales de sus respectivos dueños.

NS-C-3112

INSIGNIA™

www.insignia-products.com

133

Free Manuals Download Website

<http://myh66.com>

<http://usermanuals.us>

<http://www.somanuals.com>

<http://www.4manuals.cc>

<http://www.manual-lib.com>

<http://www.404manual.com>

<http://www.luxmanual.com>

<http://aubethermostatmanual.com>

Golf course search by state

<http://golfingnear.com>

Email search by domain

<http://emailbydomain.com>

Auto manuals search

<http://auto.somanuals.com>

TV manuals search

<http://tv.somanuals.com>