

User Guide

INSIGNIA™

Car CD Deck with USB Port

NS-C4113

Insignia NS-C4113 Car CD Deck with USB Port

Contents

Welcome	3
Safety information	3
Features	4
Installing your car CD deck	7
Using your car CD deck	9
Troubleshooting	11
Maintaining your system	12
Specifications	13
Legal notices	13
One-Year Limited Warranty	15

Welcome

Congratulations on your purchase of a high-quality Insignia product. Your NS-C4113 represents the state of the art in car CD decks and is designed for reliable and trouble-free performance.

Safety information

Warning

This car CD deck is a class 1 laser product. To prevent direct exposure to the laser system, do not open the unit. The laser beam may hurt your eyes. If the deck requires adjustments, contact an authorized service center.

Caution

Any change or modification to your car CD deck not expressly approved by the manufacturer or its authorized parties could void your authority to operate your unit.

Important safeguards

- **Read instructions**—Read all the safety and operating instructions before operating your car CD deck.
- **Retain instructions**—Retain the safety and operating instructions for future reference.
- **Follow warnings**—Follow all warnings on your car CD deck and in the operating instructions.
- **Follow instructions**—Follow all operating and use instructions.
- **When driving**—Keep the sound level of your car CD deck at an appropriate level. Driving with the volume at a high level could prevent you from hearing sounds outside and around the car, which could cause an accident. Stop the car before doing anything that could interfere with your driving.
- **When parked**—Parking in direct sunlight can result in very high temperature levels inside your car. Let the interior, and your car CD deck, cool down before switching the player on.

- **Cleaning**—Do not expose your car CD deck to water or excessive moisture. This could cause a short circuit, a fire, or other severe damage. Do not use liquid cleaners or aerosol cleaners. Use a damp cloth for cleaning.
- **Servicing or modifying**—Do not attempt to service your car CD deck yourself, because opening or removing covers may expose you to dangerous voltage or other hazards. Refer all servicing to qualified service personnel. Do not attempt to modify the unit, because modifying the unit may cause an accident.
- **Replacement parts**—When replacement parts are required, make sure that the service technician uses replacement parts specified by the manufacturer that have the same characteristics as the original part. Unauthorized substitutions may result in fire, electric shock, injury to persons, or other hazards.
- **Safety check**—Upon completion of any service or repairs to your car CD deck, ask the service technician to perform routine safety checks to determine that your car CD deck is in correct operating condition.
- **Connections**—Make sure that you connect the color coded leads according to the diagram. Incorrect connections may cause the unit to malfunction or damage the vehicle's electrical system.
Be sure to connect the speaker (-) leads to the speaker (-) terminal. Never connect the left and right channel speaker cables to each other or to the vehicle body.
Make sure all the connections are completely correct before turning on your unit.
- **Fuses**—When replacing the fuse(s), the replacement must be of the same amperage as shown on the fuse holder.

Warning

Never replace any fuse with one of a higher value than the fuse supplied with your unit. Using a higher current rated fuse may cause damage to your unit and/or electrical wiring.

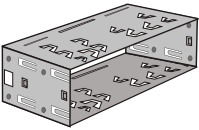
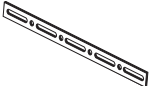



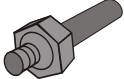
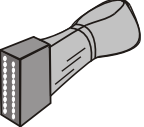
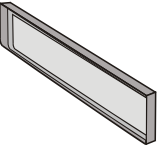

- **Heat**—Do not block vents or radiator panels. Blocking them will cause heat to build up inside and may result in fire. Do not operate the car CD deck in extremely high or low temperatures. Make sure that the temperature inside the car is between 140°F (+60°C) and 14°F (-10°C) before turning on your unit .

Note

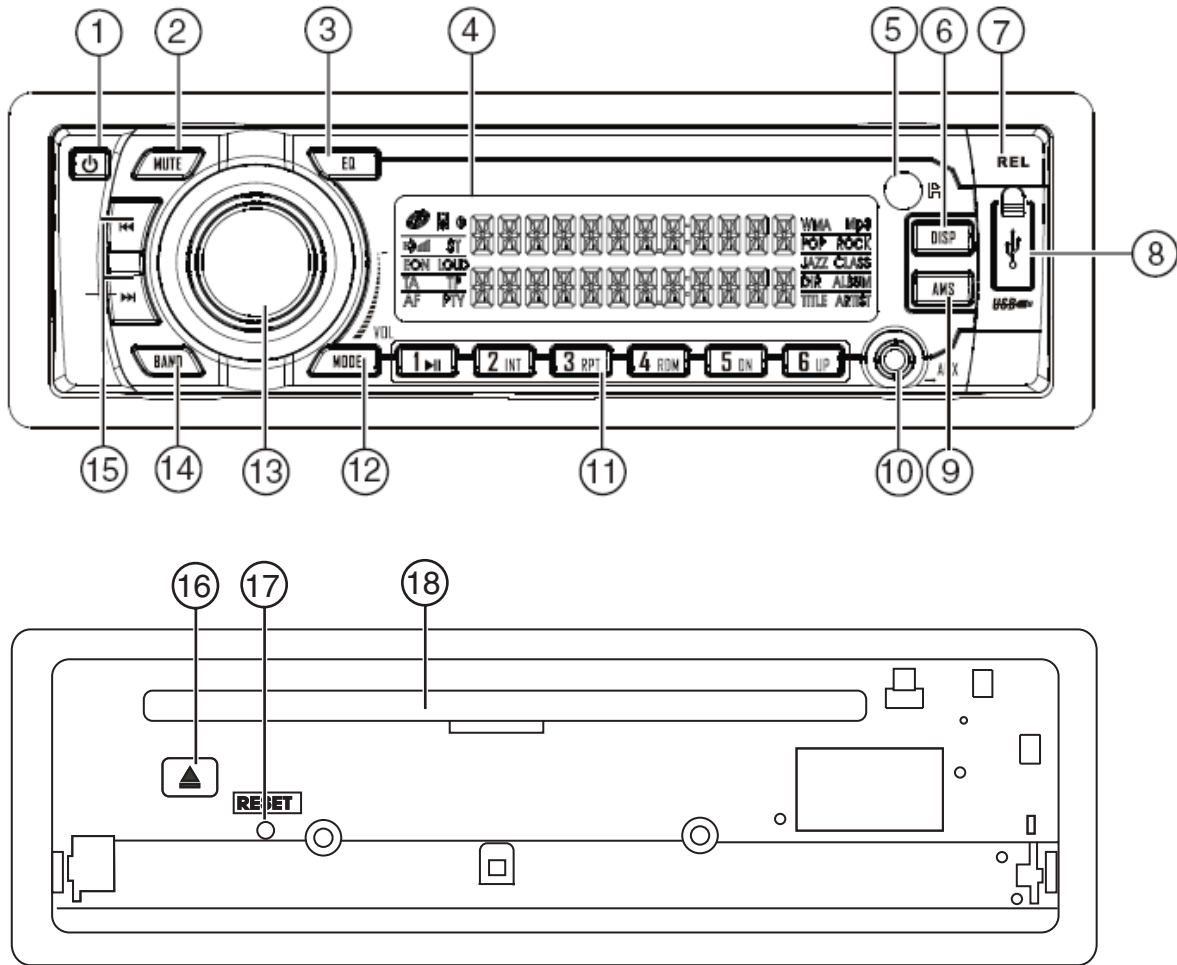
Do not use and store the player in a dusty, hot, or humid environment.

Features

Parts list

Item	Description
	Mounting sleeve (1)
	Back strap (1)
	M 5x5 screws (4)
	Keys (2)
	Rubber grommet for wire harness (1)
	Rear mounting bolt (1)
	Main wire harness (1)
	Outer trim frame (1)
	User Guide (1)

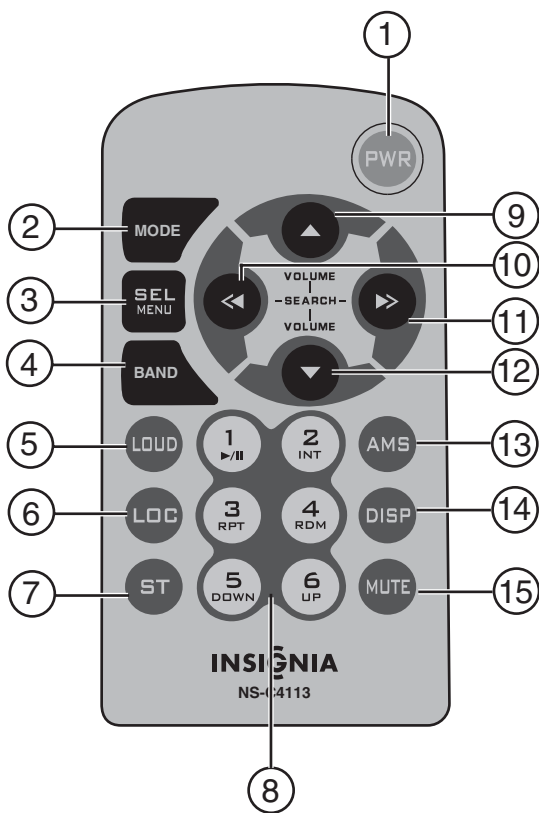
Front panel and base unit



#	Description	Function
1	⏻ (power) button	Press to turn the player on. Press again to turn the player off.
2	MUTE button	Press to mute the sound. Press again to restore the sound.
3	EQ button	Press to select the equalization preset mode.
4	LCD panel	Shows the current status of the CD deck.
5	Infrared sensor	The infrared sensor for the remote control. Receives the signal from the remote control to control the CD deck.
6	DSP button	Press to display the time. Press and hold to set the time, using the VOL/SEL knob.
7	REL (release) button	Press to release the front panel to insert or remove a CD or to remove the front panel from the head unit.
8	USB port	Insert a USB device into this port.
9	AMS button	In radio mode, press briefly to scan each stored station for five seconds. Press and hold to store station presets (six for each radio band). In MP3 mode, press to use search modes.
10	AUX In port	Plug an external audio source into the 3.5 mm port.
11	Preset buttons (radio) Playback controls (CD)	In radio mode, press to access station presets in each band. In CD playback mode, press the following: <ul style="list-style-type: none"> • 1/ ▶ (play/pause) • 2/INT (intermittent) • 3/RPT (repeat) • 4/RDM (random) • 5/DN (down) • 6/UP (up)
12	MODE button	When the player is on, press to toggle the mode between TUNER , CD , USB , or AUX IN .

#	Description	Function
13	VOL (volume) knob/ SEL button	Turn clockwise to increase the volume. Turn counterclockwise to decrease the volume. Press to select the sound characteristic mode you want. Choices include VOL (volume - default), BAS (bass), TRE (treble), FAD (fader), and BAL (balance). When you select a characteristic, turn the VOL knob to adjust. Press and hold for three seconds to cycle through LOUD OFF , BEEP ON , STEREO , and DX . See "Using the CD deck - basic operation" on page 9 for an explanation of these features.
14	BAND button	Press to switch radio bands between FM1 - FM2 - FM3 - MW1 (AM1) - MW2 (AM2) .
15	◀◀ (previous) button ▶▶ (next) button	In CD mode, press to go to the previous track or next track. Press and hold for fast reverse or fast forward. In radio mode, press to search for a station. Press three times to search for stations automatically.
The following details are not shown, but are located behind the front panel		
16	▲ (eject) button	Press to eject the CD after releasing the front panel.
17	RESET button	Press to reset the CD deck to factory settings.
18	CD slot	Insert the CD into this slot, label side up, to begin playback.

Remote control



#	Description	Function
1	PWR button	Press to turn the player on. Press again to turn the player off.
2	MODE button	When the player is on, press to toggle the mode between TUNER , AUX-F , AUX-R , CD , and USB DRIV .
3	SEL/MENU button	Press to cycle through sound characteristic modes. Choices include VOL (volume - default), BAS (bass), TRE (treble), FAD (fader), and BAL (balance). When you select a characteristic, turn the VOL knob to adjust up or down.
4	BAND button	Press to switch radio bands between FM1 - FM2 - FM3 - MW1 (AM1) - MW2 (AM2) .
5	LOUD button	Press to activate the loudness feature.

#	Description	Function
6	LOC button	In radio mode, press to toggle between distant and local stations.
7	ST button	In radio mode, press to toggle between stereo and mono sound.
8	Number buttons (radio)/Playback controls (CD)	In radio mode, press to access station presets in each band. In CD playback mode, press the following: <ul style="list-style-type: none"> 1/▶▶ (play/pause) 2/INT (intermittent) 3/RPT (repeat) 4/RDM (random) 5/DOWN 6/UP
9	▲ Volume up	Press to increase the volume.
10	◀◀ Search back	In radio mode, press to tune the radio to a lower frequency. Press for more than three seconds to select stations automatically. In CD playback mode, press to select the previous track. Press and hold to search backward.
11	▶▶ Search forward	In radio mode, press to tune the radio to a higher frequency. Press for more than three seconds to select stations automatically. In CD playback mode, press to select the next track. Press and hold to search forward.
12	▼ Volume down	Press to decrease the volume.
13	AMS button	In radio mode, press briefly to scan each stored station for five seconds. Press and hold to store station presets (six for each radio band).
14	DISP button	Press to display the time. Press and hold briefly to set the time in conjunction with the ▲ Volume up and ▼ Volume down buttons.
15	MUTE button	Press to mute the sound. Press again to restore the sound.

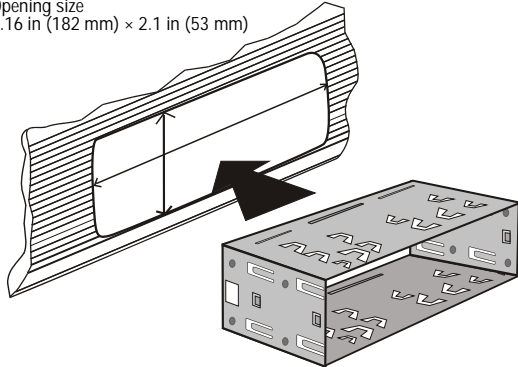
Installing your car CD deck

Installation method 1 - DIN front mount

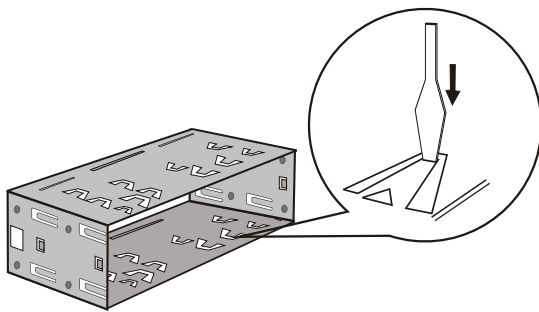
To install the car CD deck using the DIN front mount:

- 1 Slide the mounting sleeve into the opening you have prepared in the dashboard.

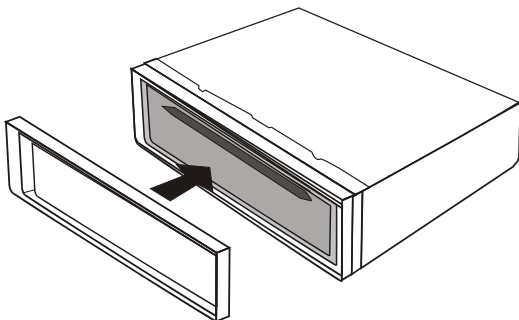
Opening size
7.16 in (182 mm) × 2.1 in (53 mm)



- 2 When the mounting sleeve is in the correct position, bend several mounting *claws* outward to achieve a tight fit and lock the mounting sleeve into place.

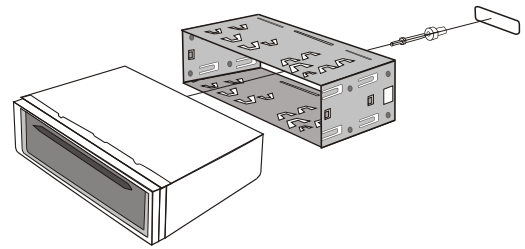


- 3 Install the outer trim frame on the CD deck.



- 4 Connect the antenna, the main wire harness (see "Wiring your car CD deck" on page 8), and the rear mounting bolt (if necessary to support your CD deck).

- 5 Slide the player into the mounting sleeve until it clicks into place.



- 6 Secure the rear mounting bolt to the firewall or other sturdy support using the back strap (if necessary).

Installation method 2 - screw mount

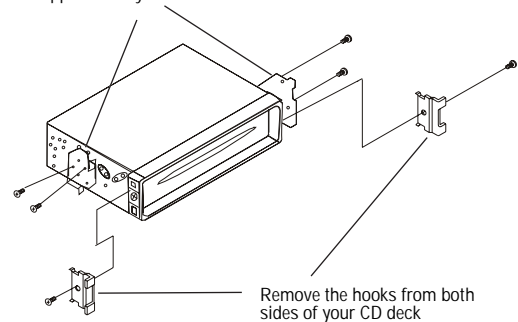
Note

The outer trim frame, the hooks, and the mounting sleeve are not used for this installation method.

To install the car CD deck using the screw holes:

- 1 Remove the hooks from the sides of your CD deck.

Brackets supplied with your car

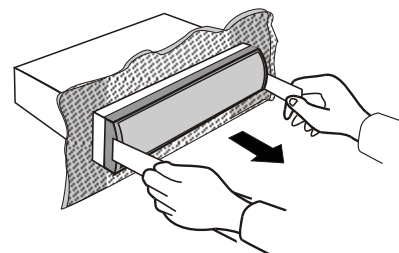


- 2 Mount the brackets to the sides of the CD deck using two screw holes on each side.
- 3 Connect the antenna, the main wire harness (see "Wiring your car CD deck" on page 8), and the rear mounting bolt (if necessary to support your CD deck).
- 4 Fasten the brackets to the mounting location in your car's dashboard or console.

Removing the CD deck (DIN installation)

To remove the CD deck:

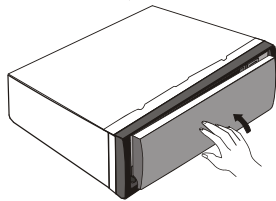
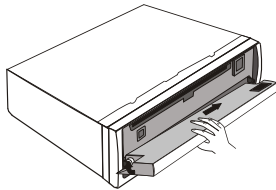
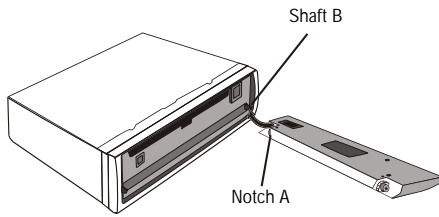
- 1 Remove the outer trim frame from the CD deck.
- 2 Insert the keys (supplied) into the sides of the CD deck (as shown) until they click, to release the internal locks, then slide the deck out of the mounting sleeve.



Installing the front panel

To install the front panel:

- 1 Put notch A onto shaft B, then press gently into the right side of the head unit.



- 2 Slide the front panel to the right, then onto the shaft on the left side of the head unit, then rotate the front panel up until it closes.

To remove the front panel:

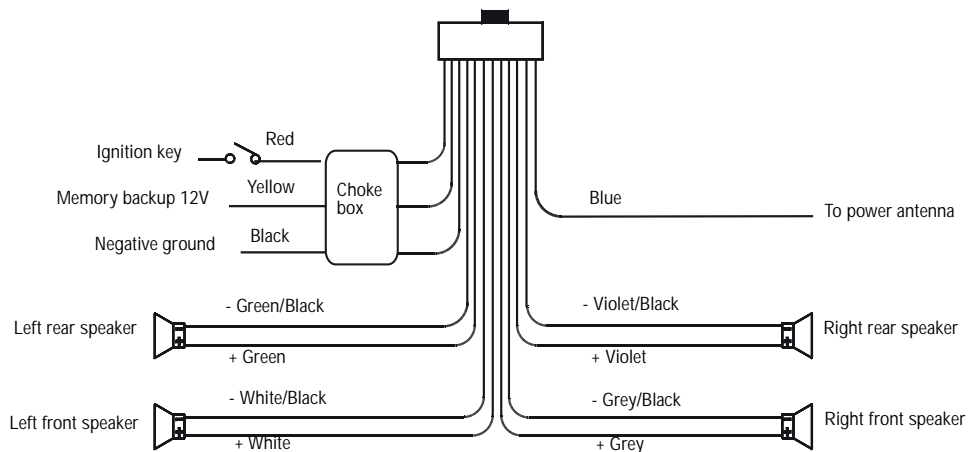
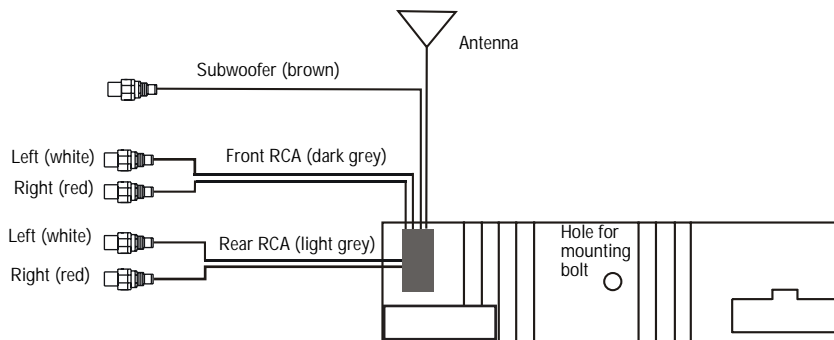
- 1 Press the **REL** button on the front panel. The panel rotates outwards on the bottom hinges.
- 2 Slide the front panel to the right and take it off the hinge on the left side of the head unit, then remove the front panel.

Wiring your car CD deck

Connect the wires to the back of the CD deck as shown in the following illustration. You must wire the main wiring harness prior to installing the CD deck into the dashboard.

Caution

Be very careful to wire the main wiring harness correctly. If you wire it incorrectly, or fail to properly insulate the connections, you could damage the player, your speakers, your car, or all of the above.



Using your car CD deck

Note

After completing the installation, or after disconnecting or replacing your car's battery, when you are ready to use the player, open the front panel, then press the **RESET** button on the head unit with a pointed object (such as ball-point pen) to set the unit to initial status.

You can also press **RESET** if an error occurs on the **LCD**. Pressing **RESET** erases your presets and the current time on the display.

Using the CD deck - basic operation

To use the CD deck:

- 1 Press \odot (power), or **PWR** on the remote control, to turn on the CD deck (inserting a CD or USB device also turns on the deck).
- 2 Press **MODE**, or **MOD** on the remote control, repeatedly to toggle the mode between **TUNER**, **CD**, **USB**, and **AUX IN**.
- 3 Make the following adjustments, according to your taste:
 - Turn the **VOL/SEL** knob to adjust the volume (clockwise to increase/ counterclockwise to decrease).
 - Press **MUTE** to mute the sound. Press again to restore the sound to the previous setting.
 - Press **LOUD** on the remote control to turn on the loudness feature. "LOUD" appears on the LCD and the low frequency of the sound is enhanced. Press **LOUD** again to turn off this feature.
 - Press **VOL/SEL** to select the sound characteristic mode you want. Choices include **VOL** (volume - default), **BAS** (bass), **TRE** (treble), **FAD** (fader), and **BAL** (balance). When you select a characteristic, turn the **VOL/SEL** knob to adjust.
 - Press and hold **VOL/SEL** on the head unit for three seconds to cycle through **LOUD OFF**, **BEEP ON**, **STEREO**, and **DX**.
 - **LOUD**—Turn the **VOL** knob to toggle between **LOUD ON** and **LOUD OFF**. Pressing the **LOUD** button on the remote control performs the same function.
 - **BEEP ON**—Turn the **VOL** knob to choose between **BEEP ON** and **BEEP OFF** (Beep On: Radio beeps when buttons are pressed. Beep Off: Radio does not beep when buttons are pressed.)
 - **STEREO**—Turn the **VOL** knob to toggle between **STEREO** (to receive stereo stations) and **MONO** (to receive mono stations). Pressing the **ST** button on the remote control does the same thing.

- **DX**—Turn the **VOL** knob to toggle between **DX** (to receive both local and distant stations) and **LOCAL** (to receive only local stations). Pressing the **LOC** button on the remote control does the same thing.

Note

If no changes are made within three seconds, the CD deck exits the adjustment mode.

- In **TUNER** and **AUX** modes, press **DISP** to display time information, press again to return to normal display.
- 4 To turn the CD deck off, press and hold \odot (power), or **PWR** on the remote control, until it turns off.

Setting the time

To set the time:

- 1 Press and hold **DISP** until the two dots in the middle of the clock stop blinking.
- 2 Press \blacktriangle Volume up to adjust the hours, and \blacktriangledown Volume down to adjust the minutes.
- 3 Press **DISP** twice display time information, press again to return to normal display.

Note

You can also use the **DSP** button iwith the **VOL/SEL** knob on the front panel to perform the same operation.

Using the CD player

To use the CD player:

- 1 Open the front panel and insert a CD/MP3 disc (label side up) in the CD slot, or remove the port cover and insert a USB device into the USB port. The CD deck automatically turns on and switches to **CD** (or **USB DRIV**) mode.

Note

If a CD/MP3 or USB device is already inserted, press **MODE** to switch to the mode you want.

- To go to the next or previous track, press $\blacktriangleright|$ (next) or $| \blacktriangleleft$ (previous), or \blacktriangleleft Search back or \blacktriangleright Search forward on the remote control, respectively.
- To fast forward or fast reverse the CD (or USB), press and hold $\blacktriangleright|$ (next) or $| \blacktriangleleft$ (previous), or \blacktriangleleft Search back or \blacktriangleright Search forward on the remote control, respectively.
- Press **1/** $\blacktriangleright||$ (play/pause) to pause playback. Press **1/** $\blacktriangleright||$ (play/pause) again to resume playback. Press and hold **1/** $\blacktriangleright||$ (play/pause) for one second to go to the first track on the disc.
- Press **2/INT** to play the first 10 seconds of each track on the disc. **INT** appears on the LCD, as well as the track number and elapsed time. When you get to the track you want, press **2/INT** again to play it.
- Press **3/RPT** to play the CD in random order (shuffle). Press **3/RPT** again to resume normal playback.

- Press **4/RDM** to play the CD in random order (shuffle). Press **4/RDM** again to resume normal playback.
 - In MP3 mode, press **5/DN** to go back 10 tracks on the disc, or press **6/UP** to forward 10 tracks on the disc.
- 2 To eject the CD, press **REL** to open the front panel, then press **▲ EJECT**. The player automatically switches to **TUNER** mode when the CD is ejected.

-OR-

To remove a USB device pull it straight out of the USB port, then replace the USB port cover. The CD deck reverts to **TUNER** mode.

Searching tracks in MP3 mode

In this example, we are searching for track 245.

To search tracks on an MP3 disc:

- 1 Press **AMS** to enter the initial search mode. The LCD shows "TRK SCH."
- 2 Press **VOL/SEL**. The LCD shows "TRK 001," and the third number (1) blinks for five seconds.
- 3 Rotate the **VOL/SEL** knob so that the third number changes to a "5," then press **VOL/SEL** to select that number. The LCD shows "TRK 005."

Note

If you press **VOL/SEL** more than three seconds, the fifth track is played.

When you have selected the first number, the second number (0) blinks for five seconds.

- 4 Rotate the **VOL/SEL** knob so that the second number changes to a **4**, then press **VOL/SEL** to select that number. The LCD shows "TRK 045."

Note

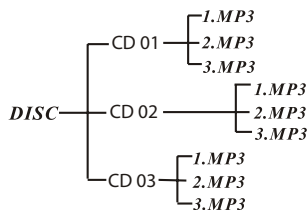
If you press **VOL/SEL** more than three seconds, the 45th track is played.

When you have selected the second number, the first number (0) blinks for five seconds.

- 5 Rotate the **VOL/SEL** knob so that the first number changes to a "2," then press **VOL/SEL** to select that number. The LCD shows "TRK 245."
- 6 Press **VOL/SEL** to play track 245.

Searching files in MP3 mode

In this example, we are searching for the third file (**3.MP3**) in folder **CD 03**. The disc file structure looks like this:



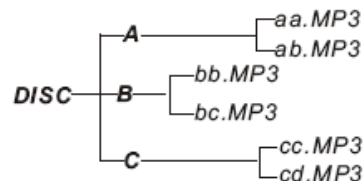
To search files on an MP3 disc:

- 1 Press **AMS** twice to enter the file search mode. The LCD shows "FILE SCH."

- 2 Press **VOL/SEL**. The LCD shows "CD 01" blinking (indicating the first folder on the disc).
- 3 Rotate the **VOL/SEL** knob until "CD 03" appears (blinking) on the LCD, then press **VOL/SEL** to select that folder on the disc. The LCD shows "01" blinking (indicating the first file in that folder).
- 4 Rotate the **VOL/SEL** knob until "03" is blinking on the LCD, then press **VOL/SEL** to select that file.

Searching characters (file names) in MP3 mode

In this example, we are searching for file name **cx.MP3** on the disc. The disc file structure looks like this:



To search file names on an MP3 disc:

- 1 Press **AMS** three times to enter the character (file name) search mode. The LCD shows "CHAR SCH."
 - 2 Press **VOL/SEL**. The LCD shows a blinking "A" (the first letter of the file name).
 - 3 Rotate the **VOL/SEL** knob until a blinking "C" appears on the LCD, then press **VOL/SEL** to select it as the first letter of the file name.
- Note**
If you press **VOL/SEL** more than .5 seconds, the first file that begins with "C" is played.
- "CA" now appears on the LCD, with the "A" blinking.
- 4 Rotate the **VOL/SEL** knob until "X" is blinking on the LCD, then press and hold **VOL/SEL** to select that letter and file.
 - 5 Press **VOL/SEL** and file **cx.MP3** is played.

Note

For clarity, the example above uses simple character files. In actual operation, longer file names are typically used, possibly requiring several more steps to find the file you are looking for.

Using the radio

To use the radio:

- 1 Press **⏻** (power), or **PWR** on the remote control, to turn on the CD deck.
 - 2 Press **MODE** repeatedly to select **TUNER**.
 - 3 Press **BAND** to cycle through the following bands:
FM1 - FM2 - FM3 - MW1 (AM1) - MW2 (AM2).
- **To manually tune the radio**—Press **▶▶** (next) or **◀◀** (previous) on the head unit, or **◀** Search back or **▶** Search forward on the remote control, to select a station with a higher or lower frequency, respectively.

- **To automatically tune the radio**—Press and hold ►► (next) or ◀◀ (previous), or ◀ Search back or ► Search forward on the remote control, for more than three seconds. The radio tunes to, and plays, the next available station (up or down, respectively).
 - **To automatically store stations in preset memory**—Press and hold **AMS** for more than three seconds. The radio automatically scans the available stations and stores the six strongest stations in presets 1 through 6.
 - **To manually store stations in preset memory**—Tune to the desired station, then press a number button for more than three seconds (until the LCD shows the number). The station is stored as a preset using that number button. Repeat for each button, in each band.
 - **To tune to a preset channel**—Select the band you want, then press the desired preset button (1-6).
 - **To play each of your preset channels for a few seconds**—Press **AMS**. Press **AMS** again to play a station while it is being previewed.
- 4 To turn the player off, press and hold ⏻ (power), or **PWR** on the remote control, until it turns off.

Choosing local or distant stations

To choose local or distant stations:

- 1 In radio mode, press **LOC** on the remote control to receive only local stations (the default setting is DX) . “LOC” appears on the LCD and weak or distant stations are ignored.
- 2 Press **LOC** again to receive both local and distant stations. “DX” appears on the LCD and all stations are received.

Using your player in the AUX In mode

To use your CD deck with an external audio device:

- 1 Press ⏻ (power), or **PWR** on the remote control, to turn on the player.
- 2 Connect an optional portable audio source to the AUX In jack on the front panel.
- 3 Press **MODE** repeatedly to select **AUX In**.
- 4 Play music on the device to listen to it through your car speakers.

Troubleshooting

Caution
Do not try to repair the CD car deck yourself. Doing so will void your warranty.

Problem	Possible cause	Solution
No sound or power	Volume too low.	Turn up the volume.
	The fuse is blown.	Replace the fuse. (Only use a replacement fuse with the correct value.)

Problem	Possible cause	Solution
The CD does not play	The CD was incorrectly inserted.	Reinsert the CD, label side up.
	The CD is defective.	Try another CD.
	Dirty or damaged disc.	Clean the disc. If the disc is damaged too badly to play, it must be replaced.
No sound	Mute on.	Press the MUTE button to cancel mute.
	Volume adjusted too low.	Adjust the volume upwards.
Memory contents lost	Unknown.	Disconnect, then reconnect the power wire or battery. Press the RESET button.
CD cannot be inserted	Another CD is already loaded into the player.	<ul style="list-style-type: none"> • Press the EJECT button to remove the other CD. • Press the RESET button and try again.
CD skips during play	Dirty or damaged disc.	Clean the disc. If the disc is damaged too badly to play, it must be replaced.
Poor radio reception	The antenna may not be fully extended or correctly connected.	<ul style="list-style-type: none"> • Fully extend the antenna. • Check the antenna connections.
	The antenna is broken.	Replace the antenna.
	The antenna is poorly grounded.	Check the antenna ground and repair it if necessary.

Note
If any problem persists after checking the above list, consult your nearest service dealer. Never attempt to disassemble the unit by yourself.

Playable discs

Your CD deck can only play the following discs:

Disc type	Label	Material	Size
CD		Sound	12 cm
MP2		Sound	12 cm

Maintaining your system

Note

The mechanical part of this player contains self-lubricating bearings and must not be oiled or lubricated.

Replacing the fuse

Make sure the amperage of the new fuse matches the specified value when replacing the fuse. If the fuse is blown, check the power connection and replace the fuse with a new one. If the same problem occurs, there may be a problem with your car's electrical system. In such cases, please consult the nearest service dealer.

Caution

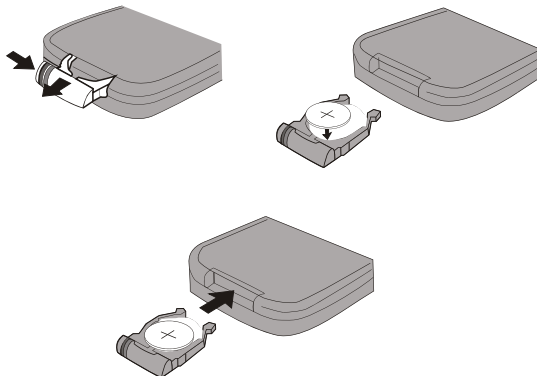
Never use a fuse with the rated amperage more than that supplied to your unit, otherwise it will damage the unit.

Replacing the remote control battery

When the remote control stops working, or the range gets very limited, replace the lithium battery with a new button cell (CR2025). Make sure of the battery polarity before replace.

To replace the battery:

- 1 Gently pull out the battery holder while pressing the latch.



- 2 Insert the battery into the battery holder with the positive (+) side up.
- 3 Insert the battery holder into the remote control.

Precautions when using lithium batteries

- Always keep the lithium batteries out of your childrens reach. In case a battery is swallowed, see a doctor immediately.
- Clean the battery with a dry cloth to make sure of a good connection.
- Make sure to install the battery with the correct polarity.
- To prevent a short circuit, do not use metal tweezers to hold the battery.

Warning

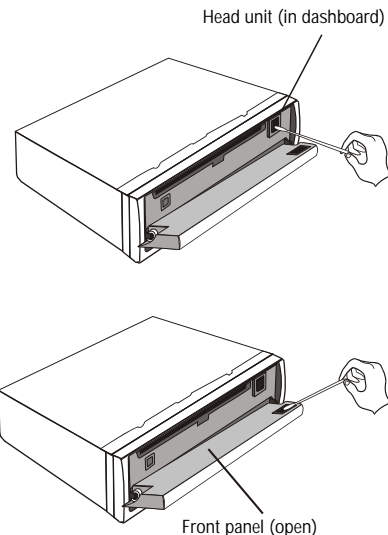
Improper handling of the battery may result in an explosion. Do not charge it, disassemble it, or throw it into a fire.

Cleaning the connectors

If the connector between the head unit and the front panel is dirty, it may cause the player to operate poorly. To avoid such problems, open the front panel and clean the connectors on the head unit and the front panel with an alcohol swab. Clean the connections gently to avoid damaging them.

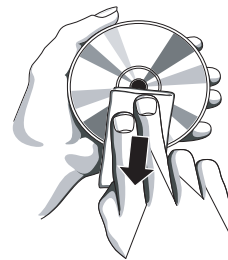
Caution

- For safety, always turn your car off and remove the keys before cleaning.
- Never touch the connectors directly with your fingers.



Cleaning CDs

Using a soft cleaning cloth, wipe the CD from the center outwards. If a CD is quite dirty, use a soft cloth slightly moistened with isopropyl (rubbing) alcohol.



Caution

Do not use solvents such as benzene, thinners, commercial cleaning fluids, or anti-static sprays designed for vinyl records.


Keep the following in mind:

- Treat the disc carefully. Handle the disc only by its edges. Never allow your fingers to come in contact with the shiny, unprinted side of the disc.
- Do not attach adhesive tape or stickers to the disc label.
- If a disc skips or gets stuck on a section of the disc, it is probably dirty or scratched.
- Discs should be stored in their cases after each use to avoid damage.
- Do not expose discs to direct sunlight, high humidity, high temperatures and dust. Prolonged exposure or extreme temperatures can warp the disc.

- Do not affix labels to or write anything on either side of the disc. Sharp writing instruments or ink may damage the surface.

Note
 A disc may become somewhat scratched (although not enough to make it unusable) depending on how it is handled. These scratches are not an indication of any problem with the player.

Specifications



CEA 2006 Power Output: 17 Watts RMS x 4 Channels at 4 Ohms and ≤ 1% THD+N
 CEA 2006 Signal to Noise Ratio: 80 dBA (reference: 1 Watt into 4 Ohms)

GENERAL	
Supply voltage	14.4 V DC (11-16 V allowed)
Load impedance	4 ohms per channel
Max power output	40 W × 4
Tone controls	± 8 dB Bass 100 Hz Treble 10 KHz
Dimensions (approx.)	7.56 × 7 × 1.97 inches (192 × 178 × 50 mm) (d/w/h)
Mounting (approx.)	6.65 × 7.16 × 2.1 inches (169 × 182 × 53 mm) (d/w/h)
Weight (approx.)	3.86 lbs. (1.75 kg)
FM tuner	
Frequency range	87.5 ~ 107.9 MHz (USA)
IF	10.7 MHz
Usable sensitivity	15 dBuV
Signal-to-noise ratio	50 dB
Stereo separation	30 dB (1 KHz)
AM tuner	
Frequency range	530 ~ 1710 KHz (USA)
IF	450 KHz
Usable sensitivity	28 dBuV (-20 dB)
CD player	
Signal-to-noise ratio	65 dB (1 KHz)
Separation	60 dB (1 KHz)
Distortion	0.5%

Due to continuous product improvement, specifications and design are subject to change without prior notice.

Legal notices

© 2008 Insignia. Insignia and the Insignia logo are trademarks of Best Buy Enterprise Services, Inc. Other brands and product names are trademarks or registered trademarks of their respective holders. Specifications and features are subject to change without notice or obligation. For service and support call (877) 467-4289.

One-Year Limited Warranty

Insignia Products ("Insignia") warrants to you, the original purchaser of this new **NS-C4113** ("Product"), that the Product shall be free of defects in the original manufacture of the material or workmanship for a period of one (1) year from the date of your purchase of the Product ("Warranty Period"). This Product must be purchased from an authorized dealer of Insignia brand products and packaged with this warranty statement. This warranty does not cover refurbished Product. If you notify Insignia during the Warranty Period of a defect covered by this warranty that requires service, terms of this warranty apply.

How long does the coverage last?

The Warranty Period lasts for 1 year (365 days) from the date you purchased the Product. The purchase date is printed on the receipt you received with the Product.

What does this warranty cover?

During the Warranty Period, if the original manufacture of the material or workmanship of the Product is determined to be defective by an authorized Insignia repair center or store personnel, Insignia will (at its sole option): (1) repair the Product with new or rebuilt parts; or (2) replace the Product at no charge with new or rebuilt comparable products or parts. Products and parts replaced under this warranty become the property of Insignia and are not returned to you. If service of Products or parts are required after the Warranty Period expires, you must pay all labor and parts charges. This warranty lasts as long as you own your Insignia Product during the Warranty Period. Warranty coverage terminates if you sell or otherwise transfer the Product.

How to obtain warranty service?

If you purchased the Product at a retail store location, take your original receipt and the Product to the store you purchased it from. Make sure that you place the Product in its original packaging or packaging that provides the same amount of protection as the original packaging. If you purchased the Product from an online web site, mail your original receipt and the Product to the address listed on the web site. Make sure that you put the Product in its original packaging or packaging that provides the same amount of protection as the original packaging.

To obtain in-home warranty service for a television with a screen 25 inches or larger, call 1-888-BESTBUY. Call agents will diagnose and correct the issue over the phone or will have an Insignia-approved repair person dispatched to your home.

Where is the warranty valid?

This warranty is valid only to the original purchaser of the product in the United States, Canada, and Mexico.

What does the warranty not cover?

This warranty does not cover:

- Customer instruction
- Installation
- Set up adjustments
- Cosmetic damage
- Damage due to acts of God, such as lightning strikes
- Accident
- Misuse
- Abuse
- Negligence
- Commercial use
- Modification of any part of the Product, including the antenna
- Plasma display panel damaged by static (non-moving) images applied for lengthy periods (burn-in).

This warranty also does not cover:

- Damage due to incorrect operation or maintenance
- Connection to an incorrect voltage supply
- Attempted repair by anyone other than a facility authorized by Insignia to service the Product

- Products sold as is or with all faults
- Consumables, such as fuses or batteries
- Products where the factory applied serial number has been altered or removed

REPAIR REPLACEMENT AS PROVIDED UNDER THIS WARRANTY IS YOUR EXCLUSIVE REMEDY. INSIGNIA SHALL NOT BE LIABLE FOR ANY INCIDENTAL OR CONSEQUENTIAL DAMAGES FOR THE BREACH OF ANY EXPRESS OR IMPLIED WARRANTY ON THIS PRODUCT, INCLUDING, BUT NOT LIMITED TO, LOST DATA, LOSS OF USE OF YOUR PRODUCT, LOST BUSINESS OR LOST PROFITS. INSIGNIA PRODUCTS MAKES NO OTHER EXPRESS WARRANTIES WITH RESPECT TO THE PRODUCT, ALL EXPRESS AND IMPLIED WARRANTIES FOR THE PRODUCT, INCLUDING, BUT NOT LIMITED TO, ANY IMPLIED WARRANTIES OF AND CONDITIONS OF MERCHANTABILITY AND FITNESS FOR A PARTICULAR PURPOSE, ARE LIMITED IN DURATION TO THE WARRANTY PERIOD SET FORTH ABOVE AND NO WARRANTIES, WHETHER EXPRESS OR IMPLIED, WILL APPLY AFTER THE WARRANTY PERIOD. SOME STATES, PROVINCES AND JURISDICTIONS DO NOT ALLOW LIMITATIONS ON HOW LONG AN IMPLIED WARRANTY LASTS, SO THE ABOVE LIMITATION MAY NOT APPLY TO YOU. THIS WARRANTY GIVES YOU SPECIFIC LEGAL RIGHTS, AND YOU MAY ALSO HAVE OTHER RIGHTS, WHICH VARY FROM STATE TO STATE OR PROVINCE TO PROVINCE.

Contact Insignia:

For customer service please call 1-877-467-4289
www.insignia-products.com

Distributed by Best Buy Purchasing, LLC
7601 Penn Avenue South, Richfield, Minnesota, U.S.A.
55423-3645

© 2008 Best Buy Enterprise Services, Inc.
All rights reserved. INSIGNIA is a trademark of Best Buy Enterprise Services, Inc. Registered in some countries.
All other products and brand names are trademarks of their respective owners.



www.insignia-products.com (877) 467-4289

Distributed by Best Buy Purchasing, LLC
7601 Penn Avenue South, Richfield, MN USA 55423-3645
© 2008 Best Buy Enterprise Services, Inc.

All rights reserved. INSIGNIA is a trademark of Best Buy Enterprise Services, Inc. Registered in some countries.
All other products and brand names are trademarks of their respective owners.

ENGLISH
08-1535

Free Manuals Download Website

<http://myh66.com>

<http://usermanuals.us>

<http://www.somanuals.com>

<http://www.4manuals.cc>

<http://www.manual-lib.com>

<http://www.404manual.com>

<http://www.luxmanual.com>

<http://aubethermostatmanual.com>

Golf course search by state

<http://golfingnear.com>

Email search by domain

<http://emailbydomain.com>

Auto manuals search

<http://auto.somanuals.com>

TV manuals search

<http://tv.somanuals.com>