

User Guide | Guide de l'utilisateur | Guía del Usuario

INSIGNIA™

CD Car Deck | Autoradio avec lecteur de CD | Unidad para automóvil con reproductor de CD

NS-C5111

Download from Www.Somanuals.com. All Manuals Search And Download.

Welcome

Congratulations on your purchase of a high-quality Insignia product. Your NS-C5111 represents the state of the art in car deck design and is designed for reliable and trouble-free performance.

Contents

Introduction	1
Safety information	1
Components	2
Setting up your car deck	10
Using your car deck	14
Specifications	20
Troubleshooting	21
Maintenance	23
Legal notices	23
Français	26
Español	55

Introduction

Your car deck includes a remote control and an AM/FM radio. Your car deck can play audio CDs, MP3 files, and WMA files. Your car deck also includes a USB port (for connecting a USB memory device) and a memory card slot (for inserting an SD or MMC memory card). When a USB memory device is installed or an SD or MCC memory card is inserted, you can play songs stored on the memory device or memory card. You can also record from your car radio or from the CD player to the memory device or memory card. Your car deck is also compatible with all iPod devices, except for iPod Video.

Note

Some USB memory devices may not be 100% compatible with your card deck.

Safety information

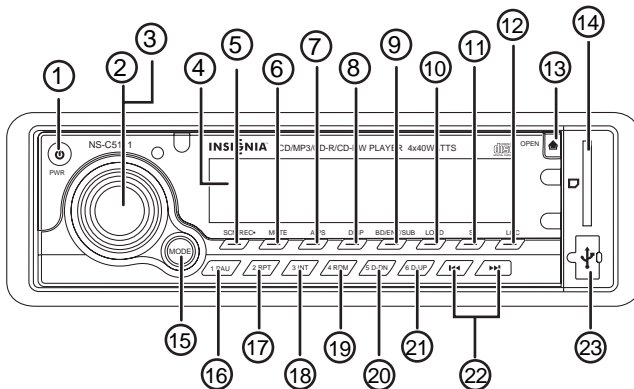
- Select the mounting location carefully to make sure that your car deck does not interfere with normal driving functions.
- Do not install your car deck where it could be exposed to high temperatures, such as from direct sunlight or from the car heater.
- Do not install your car deck where it could be exposed to dust, dirt, or excessive vibration.
- Use only the supplied mounting hardware.

Components


Package contents

- Car deck
- Detachable control panel
- Control panel case
- Remote control
- CR2025 remote control battery
- Mounting bracket
- Mounting strip
- Spring washers (2)
- 5 × 16 TS screw
- Release keys (2)
- Trim cover
- ISO power connector cable
- ISO speaker connector cable
- User guide

Front

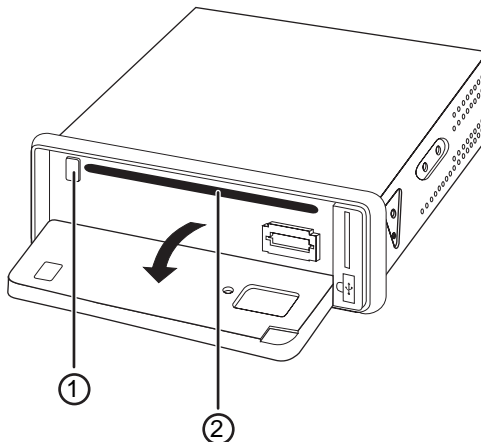


	Component	Description
1	PWR	Press to turn on your car deck. Press for two seconds to turn off your car deck.
2	Function Select	Press to select the function you want to adjust. You can select: <ul style="list-style-type: none"> • BASS • TREBLE • BALANCE • FADER • INITIAL VOLUME • CT (clock time) • REC MODE • DSP
3	Volume up/Volume down	Rotate this knob to adjust the overall volume. When used with the function select button, you can adjust individual volume levels for: <ul style="list-style-type: none"> • BASS • TREBLE • BALANCE • FADER • INITIAL VOLUME • CT (clock time) • REC MODE • DSP
4	LCD	Displays information about your car deck.
5	SCN/REC	When the radio or a CD is playing, press to start recording to a connected USB memory device or an inserted memory card.
6	MUTE	Press to mute the sound.
7	A/PS	Press to search for MP3 or WMA files on a USB memory device or memory card.
8	DISP	Press to display time, frequency, and track information.
9	BD/ENT/SUB	When the radio is playing, press to select the band. You can select FM1, FM2, FM3, AM1, or AM2. When selecting songs or deleting files, press to confirm your selection. Press and hold to turn the subwoofer on and off.

	Component	Description
10	LOUD	Press to increase the bass and treble volume levels. This function is useful when you are listening at a low volume level. When this function is turned on LOUD appears on the display.
11	ST	Press to select STEREO or MONO.
12	LOC	Press to improve reception when listening to a station with a weak signal. Press again to return to normal listening mode.
13	OPEN 	Press to open the front panel.
14	Memory card slot	Insert an SD or MMC memory card to listen to songs on the memory card or to record songs from the CD or radio to the memory card.
15	MODE	Press to select an audio source. Depending on what is connected to your car deck, you can select: <ul style="list-style-type: none"> • AUX (external audio device connection) • TUNER • CD-MP3 • USB • MMC/SD
16	1 PAU	When a CD, MP3 file, or WMA file is playing, press to pause playback. Press again to return to normal playback. When the radio is playing, press for more than one second to store the station's frequency in preset 1.
17	2 RPT	When a CD, MP3 file, or WMA file is playing, press to repeat the current song. Press again to return to normal playback. When the radio is playing, press for more than one second to store the station's frequency in preset 2.
18	3 INT	When a CD is playing, press to play the first few seconds of each song on the CD. Press again to return to normal playback. When the radio is playing, press for more than one second to store the station's frequency in preset 3.

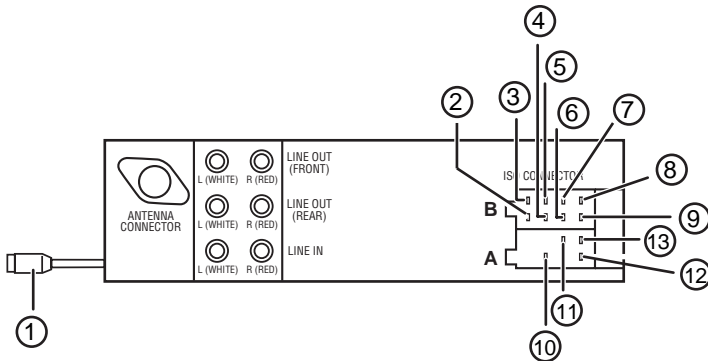
	Component	Description
19	4 RDM	When a CD is playing, press to play the songs in random order. Press again to return to normal playback. When the radio is playing, press for more than one second to store the station's frequency in preset 4.
20	5 D-DN	When an MP3 file is playing, press to select the next MP3 folder. When the radio is playing, press for more than one second to store the station's frequency in preset 5.
21	6 D-UP	When an MP3 file is playing, press to select the previous MP3 folder. When the radio is playing, press for more than one second to store the station's frequency in preset 6.
22	⏮ and ⏭	Press to go to the previous or next song on a CD or in an MP3 folder. Press and hold to fast-reverse or fast-forward through the songs on a CD or in an MP3 folder.
23	USB port	Plug a USB memory device into this port to play MP3 or WMA files stored on the USB memory device, or to record from the radio or a CD to the USB memory device.

Front with the front panel open



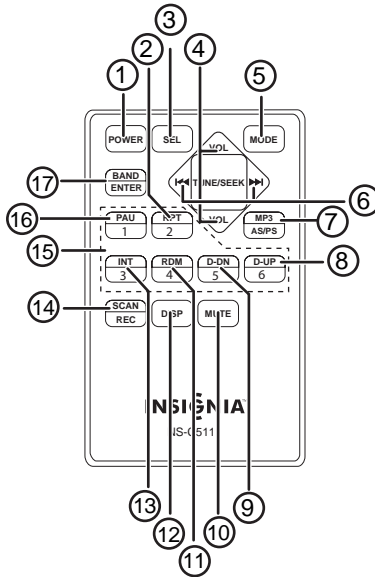
	Component	Description
1	CD eject button ▲	Press to eject the CD from the CD slot.
2	CD slot	Insert an audio CD into this slot.

ISO Connectors



1	Subwoofer connector	Green
2	Rear right speaker –	Violet/Black
3	Rear right speaker +	Violet
4	Front right speaker –	Gray/Black
5	Front right speaker +	Gray
6	Front left speaker –	White/Black
7	Front left speaker +	White
8	Rear left speaker +	Green
9	Rear left speaker –	Green/Black
10	Memory +12 V	Yellow
11	Auto antenna output	Blue
12	Ground	Black
13	+12 V (to ignition key)	Red

Remote control



	Button	Description
1	POWER	Press to turn on your car deck. Press and hold for two seconds to turn off your car deck.
2	RPT/2	When a CD, MP3 file, or WMA file is playing, press to repeat the current song. Press again to return to normal playback. When the radio is playing, press for more than one second to store the station's frequency in preset 2.
3	SEL	Press to select the function you want to adjust. You can select: <ul style="list-style-type: none"> • BASS • TREBLE • BALANCE • FADER • INITIAL VOLUME • CT (clock time) • REC MODE • DSP

	Button	Description
4	VOL	<p>Press the top volume button to increase the overall volume. Press the bottom volume button to decrease the overall volume.</p> <p>When used with the SEL button, you can adjust individual volume levels for:</p> <ul style="list-style-type: none"> • BASS • TREBLE • BALANCE • FADER • INITIAL VOLUME • CT (clock time) • REC MODE • DSP
5	MODE	<p>Press to select an audio source. Depending on what is connected to your car deck, you can select:</p> <ul style="list-style-type: none"> • AUX (external audio device connection) • TUNER • CD-MP3 • USB • MMC/SD
6	◀◀ and ▶▶	<p>Press to go to the previous or next song on a CD or in an MP3 folder. Press and hold to fast-reverse or fast-forward through the songs on a CD or in an MP3 folder.</p>
7	MP3/AS/PS	<p>When the radio is playing, press to scan through your presets.</p> <p>When an MP3 or WMA file is playing, press to start the search function.</p>
8	D-UP/6	<p>When an MP3 file is playing, press to select the previous MP3 folder.</p> <p>When the radio is playing, press for more than one second to store the station's frequency in preset 6.</p>
9	D-DN/5	<p>When an MP3 file is playing, press to select the next MP3 folder.</p> <p>When the radio is playing, press for more than one second to store the station's frequency in preset 5.</p>
10	MUTE	<p>Press to mute the sound.</p>

	Button	Description
11	RDM/4	When a CD is playing, press to play the songs in random order. Press again to return to normal playback. When the radio is playing, press for more than one second to store the station's frequency in preset 4.
12	DISP	Press to display time, frequency, and track information.
13	INT/3	When a CD is playing, press to play the first few seconds of each song on the CD. Press again to return to normal playback. When the radio is playing, press for more than one second to store the station's frequency in preset 3.
14	SCAN/REC	When the radio or a CD is playing, press to start recording to a connected USB memory device or an inserted memory card.
15	Presets	Press to assign the currently playing radio station to one of the preset buttons. The station frequency is stored. When you want to listen to the stored station, press the button you assigned the station to.
16	PAU/1	When a CD, MP3 file, or WMA file is playing, press to pause playback. Press again to return to normal playback. When the radio is playing, press for more than one second to store the station's frequency in preset 1.
17	BAND/ENTER	When the radio is playing, press to select the band. You can select FM1, FM2, FM3, AM1, or AM2. When selecting songs or deleting files, press to confirm your selection.

Setting up your car deck

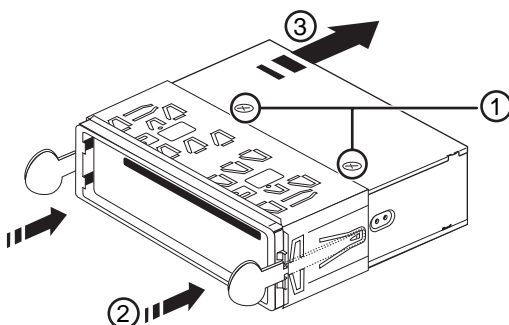
Installing your car deck

Caution

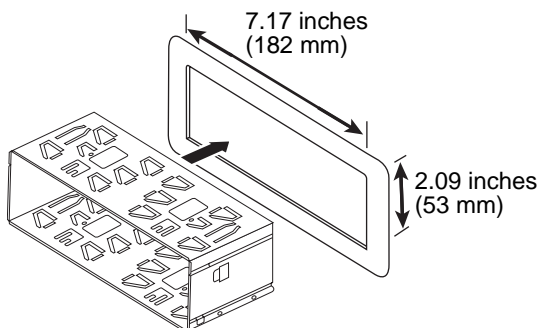
Make sure that you remove the front panel before you install your car deck. If you do not remove the front panel, you may damage your car deck.

To install your car deck:

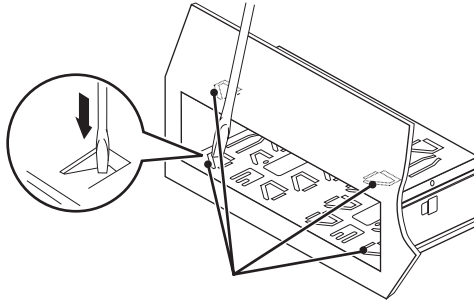
- 1 Detach the front cover. For instructions, see “Detaching the front panel” on page 13
- 2 Remove the two screws (1), remove the brackets (2), then slide your car deck out of the case (3).



- 3 Insert case into the opening on your dash board.



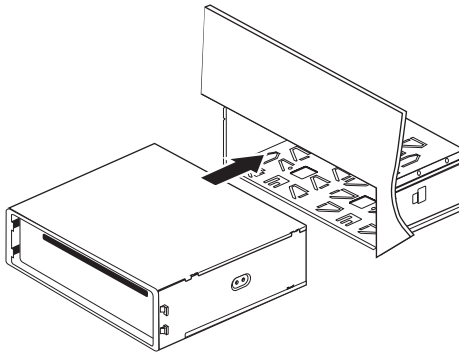
- 4 If necessary, bend the metal claws to make sure that case fits securely in the opening.



- 5 Slide your car deck into the case.

Note

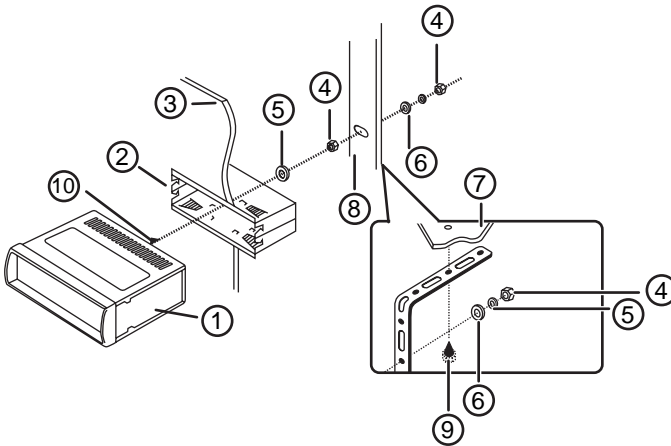
The inclination angle for your car deck must not exceed 30°. Otherwise, the front panel will not open.

**Note**

Keep the release keys in a safe place. You will need them if you remove your car deck from the car.

Installing the support strap

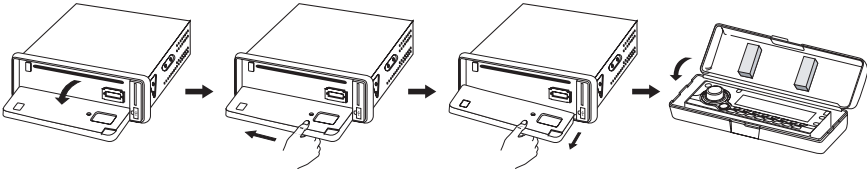
Use the following illustration to install the support strap.




1	Car deck
2	Release case
3	Dash board
4	Hex nut
5	Lock washer
6	Plain washer
7	Car body
8	Rear support strap
9	Tapping screw
10	M5 x 15 hex bolt

Detaching the front panel

You must detach the front panel before you install your car deck. You can also detach the front panel and take it with you to prevent your car deck from being stolen.



To detach the front panel:

- 1 Make sure that your car deck is turned off.
- 2 Press the **OPEN**  button and wait for the front panel to open completely.
- 3 Pull the front panel away from your car deck.
- 4 Store the front panel in the supplied case.

Caution



When carrying the front panel, put it in the supplied case. If you do not use the case, you may damage the front panel.

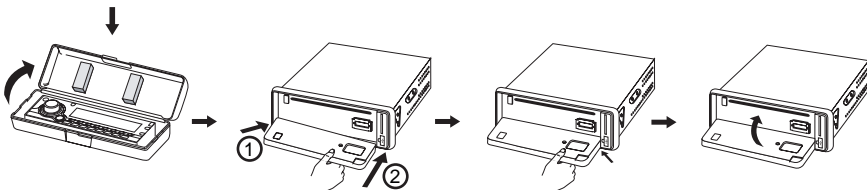
Attaching the front panel

Caution



Do not press the front panel too hard against your car deck, and do not press on the LCD. You may damage your car deck.

To attach the front panel:



To attach the front panel:

- 1 Remove the front panel from its carrying case.
- 2 With the controls facing down, align the front panel with the notches on the front of your car deck.

- 3 Gently press the front panel into the notches.

Caution

Do not press the front panel too hard against your car deck, and do not press the LCD screen. You may damage the screen.

- 4 Swing the front panel up to close your car deck.

Removing your car deck

To remove your car deck:

- 1 Make sure that the car ignition is turned off, then disconnect the negative cable from the car battery.
- 2 Remove the metal strap from the back of your car deck (if attached).
- 3 Press the release button to open the front panel, then remove the front panel.
- 4 Lift the top of the outer trim ring, then pull it out.
- 5 Insert the release keys into the slots on the middle right and left sides of your car deck, then pull your car deck out of the dashboard.

Using your car deck

Turning your car deck on and off

To turn your car deck on and off:

- 1 Press the **PWR** button on your car deck or the **POWER** button on your remote control to turn on your car deck.
- 2 Press and hold the **PWR** button on your car deck or the **POWER** button on your remote control for two seconds to turn off your car deck.

Adjusting the volume

To adjust the overall volume:

- Turn the volume knob on your car deck left or right or press the **VOL** down or up button on your remote control to decrease or increase the volume.

To adjust the initial volume:

Note

The initial volume is the volume level your car deck uses each time you turn on your car deck.

- 1 Press the function select button on your car deck or press the **SEL** button on your remote control for more than two seconds.
- 2 After you enter setup mode, press and release the function select or **SEL** button until **IN VOL** appears on the display.

- 3 Turn the volume knob on your car deck left or right or press the **VOL** down or up button on your remote control to decrease or increase the initial volume.
- 4 Wait three seconds or press the **ENTER** button to save the volume level.

To adjust the level of a specific function:

- 1 Press and release the function select button on your car deck or **SEL** button on your remote control repeatedly until the function you want appears on the display. You can select:
 - **BAS**–Bass
 - **TRE**–Treble
 - **BAL**–Balance
 - **FAD**–Fader
- 2 Turn the volume knob on your car deck or press a **VOL** button on your remote control to adjust the level of the function you selected.

Setting the time**To set the time that is displayed on the LCD:**

- 1 Press the function select button on your car deck or the **SEL** button on your remote control for more than two seconds.
- 2 After you enter setup mode, press and release the function select or **SEL** button until **ADJ** appears on the display.
- 3 Turn the volume knob clockwise to set the hour, then turn the volume knob counter-clockwise to set the minute.

Selecting the listening mode**To select the listening mode:**

- 1 Press the function select button on your car deck or the **SEL** button on your remote control for more than two seconds.
- 2 After you enter setup mode, press and release the function select or **SEL** button until **DSP** appears.
- 3 Turn the volume knob to select a listening mode. You can select:
 - **Classic**
 - **POP**
 - **Rock**
 - **Flat**
- 4 Wait three seconds or press the **ENTER** button to save the listening mode.

Listening to radio

To listen to the radio:

- 1 Press the **MODE** button on your car deck or remote control one or more times until **TUNER** appears on the LCD. The currently selected radio frequency appears of the LCD.
- 2 Press the **BD/ENT/SUB** button on your car deck or the **BAND/ENTER** button on your remote control one or more times to select the radio band you want. You can select:
 - FM1
 - FM2
 - FM3
 - AM1
 - AM2
- 3 If you want to manually select a station, press and hold the **◀◀** or **▶▶** button on your car deck or remote control for more than one second. Your car deck tunes to the next available station. Press one of the buttons again to go to another station.
- 4 If you want to scan for a station, press and release the **◀◀** or **▶▶** button. Your car deck goes to the next available station and plays the station for two seconds, then it goes to the next station. When you hear the station you want, press the same button again to stop the scan and play the station.
- 5 If you want to listen to a station assigned to a preset, press the preset button on your car deck or remote control.

Setting up presets

You can assign a radio station to one of the preset buttons. When you want to listen to the assigned station, press the preset button for that station.



To set up a preset:

- 1 Press the **MODE** button on your car deck or remote control one or more times until **TUNER** appears on the LCD. The currently selected radio station appears of the LCD.
- 2 Press the **BD/ENT/SUB** button on your car deck or the **BAND/ENTER** button on your remote control one or more times to select the radio band you want. You can select:
 - FM1
 - FM2
 - FM3
 - AM1
 - AM2

- 3 Tune to a station. For instructions on how to tune to a station, see “Listening to radio” on page 16.
- 4 Press and hold a preset button on your car deck or remote control for more than one second. The radio station is stored and the radio station appears on the LCD.

Listening to a CD

To listen to a CD:

- 1 Press the **OPEN**  button to open the front panel.
- 2 Insert a CD in the CD slot, then close the front panel. The CD starts playing. You can:
 - Select a specific track by pressing the **⏮** or **⏭** button on your car deck or remote control to go to the track you want.
 - Pause playback by pressing the **PAU** button on your car deck or remote control. To return to normal playback, press the **PAU** button again.
 - Repeat a track by pressing the **RPT** button on your car deck or remote control. To turn off repeat mode, press the **RPT** button again.
 - Listening to the first few seconds of each track on the CD pressing the **INT** button on your car deck or remote control. When you find the track you want, press the **INT** button again to turn off the search feature and play the track.
 - Play the tracks randomly by pressing the **RDM** button on your car deck or remote control. To turn off random mode, press the **RDM** button again.
- 3 Open the front panel, then press the eject  button to eject the CD.

Listening to MP3 or WMA files

To search for an MP3 or WMA file by track number:

- 1 Connect a USB memory device to the USB port or insert a memory card into the memory card slot. The USB memory device or memory card must contain MP3 or WMA files.
- 2 Press the **A/PS** button on your car deck or the **MP3/AS/PS** button on your remote control to start the search function.
- 3 Rotate the volume control knob on your car deck or press a **VOL** button on your remote control until the first digit of the track number appears on the LCD.
- 4 If the track number has more than one digit, press the function select button on your car deck or the **SEL** button on your remote control to go to the next digit in the track number.
- 5 Rotate the volume control knob on your car deck or press a **VOL** button on your remote control until the second digit of the track number appears on the LCD.
- 6 Repeat steps 4 and 5 to enter a third digit.

- 7 Press the **BD/ENT/SUB** button on your car deck or the **BAND/ENTER** button on your remote control to start playback.
- 8 If you want to select another MP3 or WMA file, press the **◀◀** or **▶▶** button on your car deck or remote control to go to the file you want.

To search for an MP3 or WMA file by name:

- 1 Connect a USB memory device to the USB port or insert a memory card into the memory card slot. The USB memory device or memory card must contain MP3 or WMA files.
- 2 Press the **A/PS** button on your car deck or the **MP3/AS/PS** button on your remote control twice to start the search function.
- 3 Rotate the volume control knob on your car deck or one of the **VOL** buttons on your remote control to select the first character in the file name, then press the function select button on your car deck or the **SEL** button on your remote control to go to the next character in the file name.
- 4 Repeat step 3 to select the second character in the file name.
- 5 Rotate the volume control knob on your car deck or one of the **VOL** buttons on your remote control to select the third character in the file name.
- 6 Press the **BD/ENT/SUB** button on your car deck or the **BAND/ENTER** button on your remote control to confirm your entry. The first MP3 or WMA file on the USB memory device or memory card that matches the three characters you entered appears on the LCD.
- 7 If your car deck found more than one match, rotate the volume control knob on your car deck or press a **VOL** button on your remote control until the file you want appears.
- 8 Press the **BD/ENT/SUB** button on your car deck or the **BAND/ENTER** button on your remote control to start playback.
- 9 If you want to select another MP3 or WMA file, press the **◀◀** or **▶▶** button on your car deck or remote control to go to the file you want.

To search for a folder containing MP3 or WMA files:

- 1 Connect a USB memory device to the USB port or insert a memory card into the memory card slot. The USB memory device or memory card must contain MP3 or WMA files.
- 2 Press the **A/PS** button on your car deck or the **MP3/AS/PS** button on your remote control three times to start the search function.
- 3 Rotate the volume control knob on your car deck or a **VOL** button on your remote control to select the folder you want.
- 4 Press the **BD/ENT/SUB** button on your car deck or the **BAND/ENTER** button on your remote control to start playback.

- 5 If you want to select another MP3 or WMA file, press the **◀◀** or **▶▶** button on your car deck or remote control to go to the file you want.
- 6 If you want to select another folder of MP3 or WMA files, press the **D-DN** button on your car deck or remote control to next folder or press the **D-UP** button on your car deck or remote control to go to the previous folder.

Recording from your car deck

To record from a CD:

- 1 Connect a USB memory device to the USB port or insert a memory card into the memory card slot.
- 2 Select the song you want to record.
- 3 Press the **SCN/REC** button on your car deck or the **SCAN/REC** button on your remote control for more than two seconds.
- 4 Press and release the **SCN/REC** or **SCAN/REC** button one or more times to select the USB memory device or memory card you want to record to and to select how many tracks you want to record. You can select:
 - MMC ALL—Records all the songs on the CD to a memory card.
 - MMC ONE—Records the currently selected song to a memory card.
 - USB ALL—Records all the songs on the CD to the USB memory device.
 - USB ONE—Records the currently selected song to the USB memory device.
- 5 Press the **BD/ENT/SUB** button on your car deck or the **BAND/ENTER** button on your remote control to start the recording.
- 6 Press the **ENT** button again to stop the recording.

Recording from the radio

To record from the radio:

- 1 Connect a USB memory device to the USB port or insert a memory card into the memory card slot.
- 2 Select the radio station you want to record.
- 3 Press the **SCN/REC** button on your car deck or the **SCAN/REC** button on your remote control longer than two seconds.
- 4 Press and release the **SCN/REC** or **SCAN/REC** button one or more times to select the device you want to record to. You can select:
 - SD/MCC—Records to a memory card.
 - USB—Records to a USB memory device.
- 5 Press the **BD/ENT/SUB** button on your car deck or the **BAND/ENTER** button on your remote control to start recording.
- 6 Press the **BD/ENT/SUB** or **BAND/ENTER** button to stop recording.

Deleting recorded files

To delete files recorded on a memory card or USB memory device:

- 1 Connect a USB memory device to the USB port or insert a memory card into the memory card slot.
- 2 Select and play the file you want to delete.
- 3 Press the **SCN/REC** button on your car deck or the **SCAN/REC** button on your remote control for more than two seconds. **DELETE** appears on the LCD.
- 4 Press the **BD/ENT/SUB** button on your car deck or the **BAND/ENTER** button on your remote control to confirm the deletion.

Specifications

Specifications and design are subject to change without notification.

Car deck

Signal to noise ratio	> 60 dB
Channel separation	> 50 dB (1 kHz)
Frequency response	20 Hz – 20 kHz

FM Tuner

Frequency range	87.5–107.9 MHz
Channel step	200z
Intermediate frequency	10.7
Sensitivity	5 μ V
Stereo separation	25 dB
Signal to noise ratio	50 dB

AM Tuner

Frequency range	530–1710 KHz
Intermediate frequency	450 KHz
Usable sensitivity	32 dB μ V

Line-out

Output	5 V (max.)
Impedance	10 kOhm

General

Power supply	13.8 V DC (10.8–15.6 V allowable)
Speaker impedance	4 or 8 Ohm
Output power	40 W x 4 CH

Troubleshooting

Cannot read some USB memory devices

- Your car deck is not 100% compatible with all USB memory devices.
- The USB memory device may have a special format. Try formatting the USB memory device in the FAT 16 or FAT 32 standard.

Cannot play some songs downloaded from the Internet

- You cannot play songs downloaded from iTunes because they are protected by DRM (Digital Rights Management) schemes.

Car deck takes about 60 seconds to recognize a USB memory device

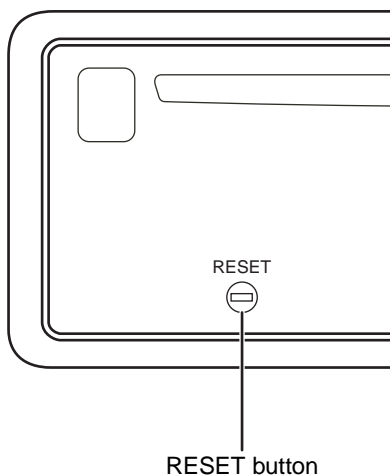
- Your car deck must scan the files stored on the USB memory device. This may take several seconds.

LCD does not display the MP3 song title correctly.

- Songs titles in foreign language may display incorrectly.
- The ID tag for the MP3 file may not be in ID Tag 3 format.

Car deck does not turn on or there is no sound

- Press the **RESET** button under the front panel.



- Make sure that the wiring connection is connected correctly.
- Check the fuse. If the fuse is blown, replace it. If it blows again, contact qualified service personnel.

No sound output when operating the car deck with amplifiers

- The amplifiers may require excessive current.

No sound output when the power antenna is attached

- The power antenna lead is shorted to ground.
- The power antenna may require excessive current.

A button does not respond or the LCD displays incorrect information

- Press and hold the **RESET** button under the front panel for two seconds.
- The connector pins on the front panel may be dirty. Use a soft cloth to clean the pins.
- If the problem persists, contact qualified service personnel.

Car deck picks up “engine” noise

- Make sure that the ground wire is not shorted.

The Power off button makes a beeping sound

To turn off the beeping sound, press and hold the volume control knob to open the setup mode, then turn the sound off. Turn the volume control knob until **BEEP** appears on the display, then turn the volume control knob to select **OFF**.

Preset station numbers are lost after changing the batteries or when the batteries are exhausted

- When you change the batteries or when the batteries are exhausted, all presets are lost. You need to reprogram your presets.

Car deck turns off immediately after it is turned on

- The batteries may be low. Change the batteries.
- If the problem persists after you change the batteries, contact qualified service personnel.

Maintenance

If the fuse blows, check the power connection and replace the fuse. If the fuse blows again, contact qualified service personnel.

Caution

Make sure that you use a fuse with a 10A amperage. If you use a fuse with a higher amperage, you may damage your car deck.

Legal notices**FCC Compliance Statement**

This device complies with Part 15 of the FCC Rules. Operation is subject to the following two conditions:

- This device may not cause harmful interference, and
- This device must accept any interference received, including interference that may cause undesired operation.

FCC Warning Statement**Warning**

Class 3B visible and invisible laser radiation when open.

Avoid direct exposure to beam. This equipment has been tested and found to comply with the limits for a Class B digital device, pursuant to Part 15 of the FCC Rules. These limits are designed to provide reasonable protection against harmful interference in a residential installation. This equipment generates, uses and can emit radio frequency energy and, if not installed or used in accordance with the instructions, may cause interference to radio communications. However, television reception interference can be determined by turning the equipment off and on.

The user is encouraged to correct the interference by one or more of the following measures:

- Reorient or relocate the receiving antenna
- Increase the separation between the equipment and the receiver
- Connect the equipment into an outlet different from that to which the receiver is connected
- Consult the dealer or an experienced radio/TV technician for help.

Caution

Changes or modifications not expressly approved by the party responsible for compliance could void the user's authority to operate the equipment.

For Europe

The drive is in conformity with the EMC directive and low-voltage directive.

Limited Warranty

Insignia Products warrants to you, the original purchaser of this Product, that this product shall be free of defects in material or workmanship for a period of ninety (90) days from the date of purchase as follows:

- 1 LABOR:** During the Warranty Period if this Product is determined to be defective, Insignia will repair or replace the Product, at its option at no charge, or pay the labor charges to any Insignia authorized service facility. After the Warranty Period, you must pay for all labor charges.
- 2 PARTS:** In addition, Insignia will supply, at no charge, new or rebuilt replacement parts in exchange for defective parts for the Warranty Period. After the Warranty Period, you must pay all parts costs.

To obtain warranty service, you must take the Product with your original receipt or other proof of purchase, either in its original packaging or packaging affording an equal degree of protection, to your nearest retail store location of the store or online web site from which you purchased the Product.

This warranty does not cover cosmetic damage or damage due to acts of God, lightning strikes, accident, misuse, abuse, negligence, commercial use, or modification of, or to any part of the Product, including the antenna. This warranty does not cover damage due to improper operation or maintenance, connection to improper voltage supply, or attempted repair by anyone other than a facility authorized by Insignia to service the Product. This warranty does not cover Products sold AS IS or WITH ALL FAULTS, or consumables (such as fuses or batteries). This warranty is valid only in the United States and Canada.

This warranty is invalid if the factory applied serial number has been altered or removed from the Product.

REPAIR REPLACEMENT AS PROVIDED UNDER THIS WARRANTY IS THE EXCLUSIVE REMEDY OF THE CONSUMER. INSIGNIA SHALL NOT BE LIABLE FOR ANY INCIDENTAL OR CONSEQUENTIAL DAMAGES FOR BREACH OF ANY EXPRESS OR IMPLIED WARRANTY ON THIS PRODUCT. EXCEPT TO THE EXTENT PROHIBITED BY APPLICABLE LAW, ANY IMPLIED WARRANTY, REPRESENTATION OR CONDITION OF MERCHANTABILITY OR FITNESS FOR A PARTICULAR PURPOSE ON THIS PRODUCT IS LIMITED IN DURATION TO THE DURATION OF THIS WARRANTY.

Some states or provinces do not allow the exclusion or limitation of incidental or consequential damages, or allow limitations on how long an implied warranty lasts, so the above limitations or exclusions may not apply to you. This warranty gives you specific legal rights, and you may have other rights which vary from state to state, or province to province.

For customer service, please call 1-877-467-4289.

www.insignia-products.com

Insignia Products, Richfield, Minnesota, U.S.A.

Copyright

© 2005 Insignia. Insignia and the Insignia logo are trademarks of Best Buy Enterprise Services, Inc. Other brands and product names are trademarks or registered trademarks of their respective holders. Specifications and features are subject to change without notice or obligation.

Bienvenue

Félicitations d'avoir acheté ce produit Insignia de haute qualité. Le modèle NS-C5111 représente la dernière avancée technologique dans la conception d'autoradios et a été conçu pour des performances et une fiabilité exceptionnelles.

Table des matières

Introduction	26
Information sur la sécurité.	26
Composants	27
Configuration de l'autoradio	37

Fonctionnement de l'autoradio	41
Spécifications	48
Dépannage	49
Entretien	51
Avis juridiques	51

Introduction

L'autoradio inclut une radio AM/FM et est livré avec une télécommande. L'autoradio peut également lire des CD audio, des fichiers MP3 et WMA. Il intègre aussi un port USB (pour la connexion d'un périphérique USB à mémoire) et un connecteur pour carte mémoire (carte mémoire SD ou MMC). Quand un périphérique USB à mémoire est installé ou une carte mémoire SD ou MCC insérée, il est possible de lire des chansons qui sont enregistrées dans la mémoire du périphérique ou de la carte. Il est également possible d'enregistrer de l'autoradio ou du lecteur de CD sur le périphérique à mémoire ou sur la carte mémoire. L'autoradio est aussi compatible avec tous les dispositifs iPod, à l'exception de l'iPod Video.

Remarque

Certains périphériques USB à mémoire peuvent ne pas être compatible à 100 % avec l'autoradio.

Information sur la sécurité

- Choisir un endroit, pour l'installation de l'autoradio, qui ne risque pas de gêner le conducteur lorsqu'il conduit.
- Ne pas installer l'autoradio dans un endroit qui serait exposé à de hautes températures, comme la lumière directe du soleil ou le chauffage de la voiture.
- Ne pas installer l'autoradio dans un endroit où il serait exposé à la poussière, aux saletés ou à des vibrations excessives.
- N'utiliser que la visserie fournie pour le montage.

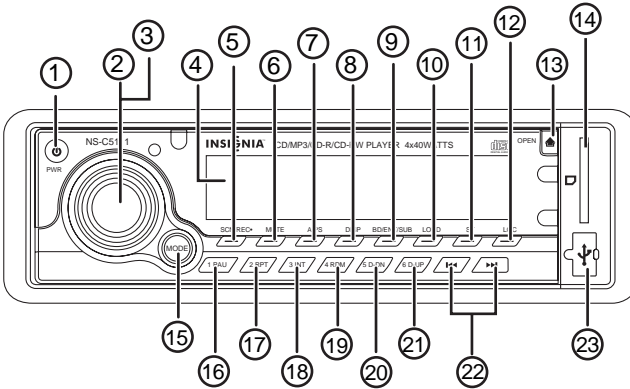
Composants

Contenu de l'emballage


- Autoradio
- Panneau de commandes amovible
- Étui du panneau de commandes
- Télécommande
- Pile de la télécommande (CR2025)
- Support de montage
- Bande de montage
- Rondelles élastiques (2)
- Vis 5 x 16 TS
- Clés de dégagement (2)
- Couvercle de garniture

- Câble de connecteur d'alimentation ISO
- Câble de connecteur d'alimentation des haut-parleurs ISO
- Guide de l'utilisateur

Avant



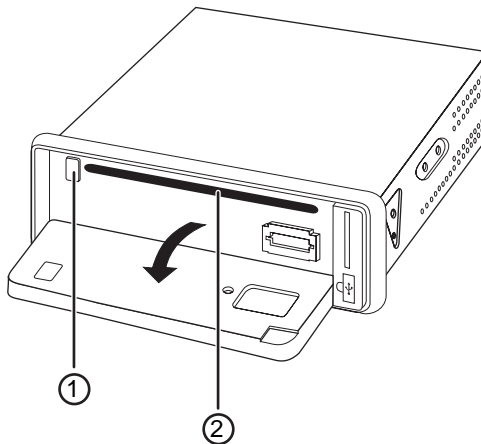
	Composant	Description
1	PWR (Alimentation)	Appuyer sur cette touche pour mettre l'autoradio sous tension Appuyer pendant deux secondes pour mettre l'autoradio hors tension.
2	Sélecteur de fonctions	Appuyer sur cette touche pour sélectionner la fonction à régler. Au choix : <ul style="list-style-type: none"> • GRAVES • AIGUS • BALANCE • ÉQUILIBREUR AVANT-ARRIÈRE • VOLUME INITIAL • CT (heure) • MODE ENREGISTREMENT • DSP
3	Volume haut/bas	Tourner ce bouton pour régler le volume d'ensemble. Conjointement avec le sélecteur de fonctions, il permet de régler individuellement le volume des éléments suivants : <ul style="list-style-type: none"> • GRAVES • AIGUS • BALANCE • ÉQUILIBREUR AVANT-ARRIÈRE • VOLUME INITIAL • CT (heure) • MODE ENREGISTREMENT • DSP
4	ACL	Affiche des informations relatives à l'autoradio.
5	SCN / REC (balayage / enregistrement)	Appuyer sur cette touche pour enregistrer la radio ou un CD en cours de lecture sur un périphérique USB à mémoire connecté ou une carte mémoire insérée.
6	MUTE (Sourdine)	Pour mettre le son en sourdine.
7	AS/PS	Appuyer sur cette touche pour rechercher des fichiers MP3 ou WMA sur un dispositif USB à mémoire ou une carte mémoire.
8	DISP (Afficher)	Pour afficher l'heure, la fréquence et la piste d'écoute.

	Composant	Description
9	BD/ENT/SUB	Lorsque la radio est en marche, appuyer sur cette touche pour sélectionner la fréquence. Sélectionner au choix : FM1, FM2, FM3, AM1 ou AM2. Pour la sélection de chansons ou la suppression de fichiers, appuyer pour confirmer la sélection. Appuyer sans relâcher pour activer et désactiver le caisson d'extrêmes graves.
10	LOUD	Appuyer sur cette touche pour augmenter le volume des graves et des aigus. Cette fonction est utile pour l'écoute à bas niveau sonore. Lorsque cette fonction est activée, « LOUD » apparaît sur l'écran.
11	ST	Pour sélectionner STEREO (Stéréo) ou MONO (Mono)
12	LOC	Appuyer sur cette touche pour améliorer la réception d'une station radio à faible signal. Appuyer de nouveau sur la touche pour revenir au mode d'écoute normal.
13	OPEN 	Appuyer sur cette touche pour ouvrir le panneau avant.
14	Fente pour carte mémoire	Insérer une carte mémoire MMC ou SD pour écouter des chansons sur la carte mémoire ou enregistrer des chansons d'un CD ou de la radio sur la carte mémoire.
15	MODE	Appuyer sur cette touche pour sélectionner une source audio. En fonction de ce qui est connecté à l'autoradio, il est possible de sélectionner : <ul style="list-style-type: none"> • AUX (connexion d'un périphérique audio externe) • TUNER (Syntoniseur) • CD MP3 • USB • MMC/SD

	Composant	Description
16	1 PAU	<p>Pour arrêter momentanément la lecture d'un CD, fichier MP3 ou WMA, appuyer sur PAU (Pause). Appuyer de nouveau sur la touche pour revenir au mode de lecture normal.</p> <p>Lorsque la radio est en marche, appuyer pendant plus d'une seconde pour mémoriser la fréquence de la station dans la touche de présélection 1.</p>
17	2 RPT	<p>Au cours de la lecture d'un CD, fichier MP3 ou fichier WMA, appuyer sur cette touche pour répéter la chanson en cours d'audition. Appuyer de nouveau sur la touche pour revenir au mode de lecture normal.</p> <p>Lorsque la radio est en marche, appuyer pendant plus d'une seconde pour mémoriser la fréquence de la station dans la touche de présélection 2.</p>
18	3 INT	<p>Au cours de la lecture d'un CD, appuyer sur cette touche pour jouer les premières secondes de chaque chanson du CD. Appuyer de nouveau sur la touche pour revenir au mode de lecture normal.</p> <p>Lorsque la radio est en marche, appuyer pendant plus d'une seconde pour mémoriser la fréquence de la station dans la touche de présélection 3.</p>
19	4 RDM	<p>Au cours de la lecture d'un CD, appuyer sur cette touche pour jouer les chansons d'une façon aléatoire. Appuyer de nouveau sur la touche pour revenir au mode de lecture normal.</p> <p>Lorsque la radio est en marche, appuyer pendant plus d'une seconde pour mémoriser la fréquence de la station dans la touche de présélection 4.</p>
20	5 D-DN	<p>Au cours de la lecture d'un fichier MP3, appuyer sur cette touche pour sélectionner le dossier MP3 suivant.</p> <p>Lorsque la radio est en marche, appuyer pendant plus d'une seconde pour mémoriser la fréquence de la station dans la touche de présélection 5.</p>

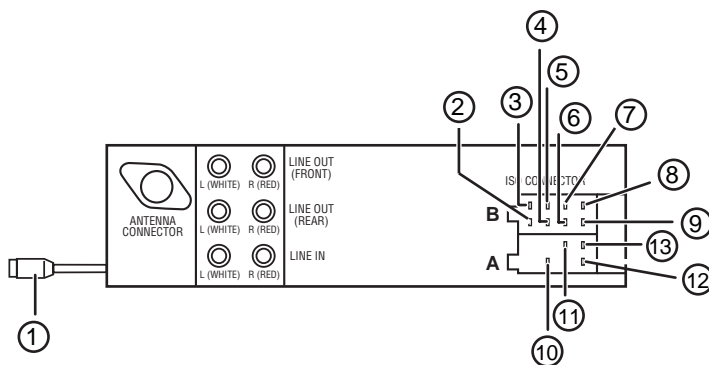
	Composant	Description
21	6 D-UP	Au cours de la lecture d'un fichier MP3, appuyer sur cette touche pour sélectionner le dossier MP3 précédent. Lorsque la radio est en marche, appuyer pendant plus d'une seconde pour mémoriser la fréquence de la station dans la touche de présélection 6.
22	◀ et ▶	Appuyer sur cette touche pour lire la chanson précédente ou suivante sur un CD ou dans un dossier MP3. Appuyer sans relâcher pour une lecture arrière ou avant rapide des chansons d'un CD ou d'un dossier MP3.
23	Port USB	Brancher un périphérique USB à mémoire sur ce port pour lire des fichiers MP3 or WMA stockés en mémoire dans le périphérique USB ou enregistrer de la radio ou d'un CD sur le périphérique USB à mémoire.

Avant de l'appareil, panneau avant ouvert



	Composant	Description
1	Touche d'éjection du CD ▲	Appuyer sur cette touche pour éjecter le CD de sa fente.
2	Fente de CD	Insérer un CD audio dans cette fente.

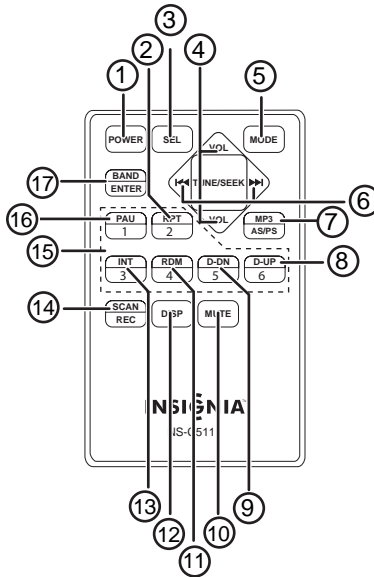
Connecteurs ISO



1	Connecteur de caisson d'extrêmes graves	Vert
2	Haut-parleur arrière droit –	Violet/noir
3	Haut-parleur arrière droit +	Violet
4	Haut-parleur avant droit –	Gris/noir
5	Haut-parleur avant droit +	Gris
6	Haut-parleur avant gauche –	Blanc/noir
7	Haut-parleur avant gauche +	Blanc
8	Haut-parleur arrière gauche +	Vert
9	Haut-parleur arrière gauche –	Vert/noir
10	Mémoire + 12 V	Jaune
11	Sortie antenne Auto	Bleu

12	Masse	Noir
13	+ 12 V (vers contacteur à clé)	Rouge

Télécommande



	Touche	Description
1	ALIMENTATION	Appuyer sur cette touche pour mettre l'autoradio sous tension Appuyer pendant deux secondes pour mettre l'autoradio hors tension.
2	RPT/2	Au cours de la lecture d'un CD, fichier MP3 ou fichier WMA, appuyer sur cette touche pour répéter la chanson en cours d'audition. Appuyer de nouveau sur la touche pour revenir au mode de lecture normal. Lorsque la radio est en marche, appuyer pendant plus d'une seconde pour mémoriser la fréquence de la station dans la touche de présélection 2.

	Touche	Description
3	SEL	Appuyer sur ce bouton pour sélectionner la fonction à régler. Au choix : <ul style="list-style-type: none"> • GRAVES • AIGUS • BALANCE • ÉQUILIBREUR AVANT-ARRIÈRE • VOLUME INITIAL • CT (heure) • MODE ENREGISTREMENT • DSP
4	VOL	Appuyer sur la touche de volume supérieure pour augmenter le volume. Appuyer sur la touche de volume inférieure pour diminuer le volume. Conjointement avec le sélecteur de fonctions (SEL), elle permet de régler individuellement le volume de : <ul style="list-style-type: none"> • GRAVES • AIGUS • BALANCE • ÉQUILIBREUR AVANT-ARRIÈRE • VOLUME INITIAL • CT (heure) • MODE ENREGISTREMENT • DSP
5	MODE	Appuyer sur cette touche pour sélectionner une source audio. En fonction de ce qui est connecté à l'autoradio, il est possible de sélectionner : <ul style="list-style-type: none"> • AUX (connexion d'un périphérique audio externe) • TUNER (Syntoniseur) • CD MP3 • USB • MMC/SD
6	⏮ et ⏭	Appuyer sur cette touche pour lire la chanson précédente ou suivante sur un CD ou dans un dossier MP3. Appuyer sans relâcher pour une lecture arrière ou avant rapide des chansons d'un CD ou d'un dossier MP3.

	Touche	Description
7	MP3/AS/PS	Lorsque la radio est en marche, appuyer sur cette touche pour balayer les touches de présélection. Au cours de la lecture d'un fichier MP3 ou WMA, appuyer sur cette touche pour lancer la recherche.
8	D-UP/6	Au cours de la lecture d'un fichier MP3, appuyer sur cette touche pour sélectionner le dossier MP3 précédent. Lorsque la radio est en marche, appuyer pendant plus d'une seconde pour mémoriser la fréquence de la station dans la touche de présélection 6.
9	D-DN/5	Au cours de la lecture d'un fichier MP3, appuyer sur cette touche pour sélectionner le dossier MP3 suivant. Lorsque la radio est en marche, appuyer pendant plus d'une seconde pour mémoriser la fréquence de la station dans la touche de présélection 5.
10	MUTE (Sourdine)	Pour mettre le son en sourdine.
11	RDM/4	Au cours de la lecture d'un CD, appuyer sur cette touche pour jouer les chansons d'une façon aléatoire. Appuyer de nouveau sur la touche pour revenir au mode de lecture normal. Lorsque la radio est en marche, appuyer pendant plus d'une seconde pour mémoriser la fréquence de la station dans la touche de présélection 4.
12	DISP	Pour afficher l'heure, la fréquence et la piste d'écoute.
13	INT/3	Au cours de la lecture d'un CD, appuyer sur cette touche pour jouer les premières secondes de chaque chanson du CD. Appuyer de nouveau sur la touche pour revenir au mode de lecture normal. Lorsque la radio est en marche, appuyer pendant plus d'une seconde pour mémoriser la fréquence de la station dans la touche de présélection 3.

	Touche	Description
14	SCN / REC (balayage / enregistrement)	Appuyer sur ce bouton pour enregistrer la radio ou un CD en cours de lecture sur un périphérique USB à mémoire connecté ou une carte mémoire insérée.
15	Touches de présélection	Appuyer sur la touche pour assigner la station radio en cours d'écouter à l'une des touches de présélection. La fréquence de la station est stockée en mémoire. Pour écouter la station stockée en mémoire, appuyer sur la touche à laquelle cette station a été assignée.
16	PAU/1	<p>Pour arrêter momentanément la lecture d'un CD, fichier MP3 ou WMA, appuyer sur PAU (Pause). Appuyer de nouveau sur la touche pour revenir au mode de lecture normal.</p> <p>Lorsque la radio est en marche, appuyer pendant plus d'une seconde pour mémoriser la fréquence de la station dans la touche de présélection 1.</p>
17	BAND/ENTER (Entrée/fréquence)	<p>Lorsque la radio est en marche, appuyer sur cette touche pour sélectionner la fréquence. Sélectionner au choix : FM1, FM2, FM3, AM1 ou AM2.</p> <p>Pour la sélection de chansons ou la suppression de fichiers, appuyer pour confirmer la sélection.</p>

Configuration de l'autoradio

Installation de l'autoradio

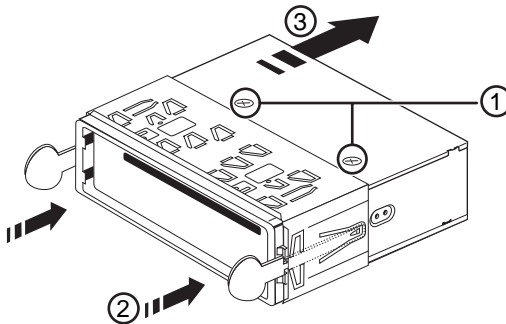
Attention



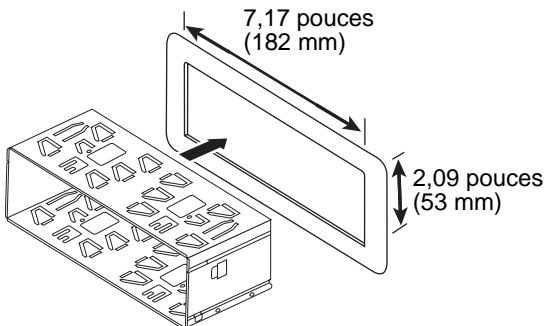
Veiller à retirer le panneau avant d'installer l'autoradio. L'autoradio risque d'être endommagé si le panneau avant n'est pas retiré.

Pour installer l'autoradio :

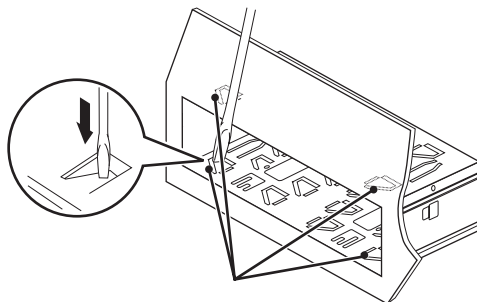
- 1 Détacher le couvercle avant. Pour des instructions, voir la section "Retrait du panneau avant" voir page 40.
- 2 Retirer les deux vis (1), retirer les supports (2) puis glisser l'autoradio hors du boîtier (3).



- 3 Insérer le boîtier dans l'ouverture du tableau de bord.



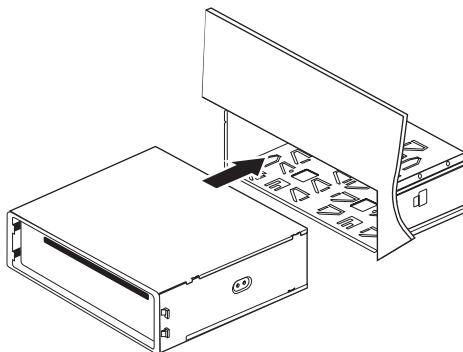
- 4 Si nécessaire, courber les languettes métalliques pour que le boîtier s'emboîte correctement dans l'ouverture.



- 5 Glisser l'autoradio dans le boîtier.

Remarque

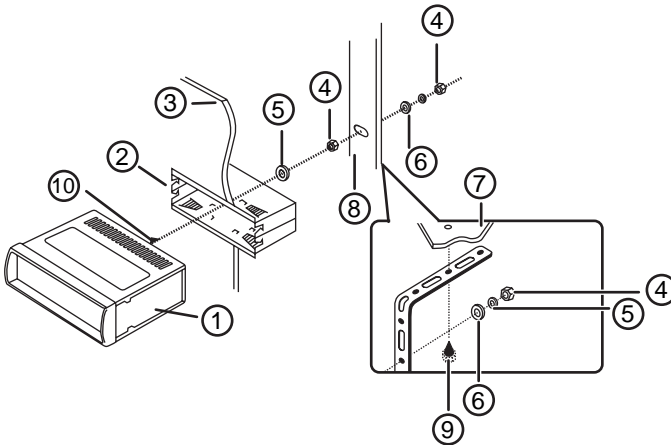
L'angle d'inclinaison de l'autoradio ne doit pas dépasser 30°. Sinon, le panneau avant ne s'ouvrira pas.

**Remarque**

Conserver les clés de dégagement dans un endroit sûr. Elles seront nécessaires pour retirer l'autoradio du véhicule.

Installation de la cornière de support :

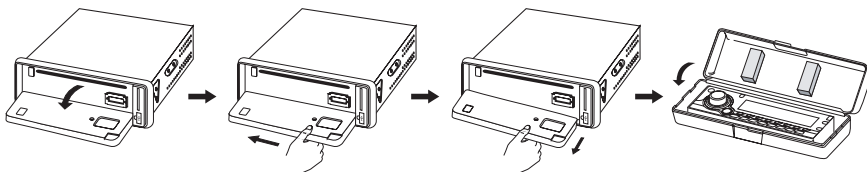
Consulter l'illustration suivante pour l'installation de la cornière de support.




1	Autoradio
2	Boîtier de dégagement
3	Tableau de bord
4	Écrou hexagonal
5	Rondelle de blocage
6	Rondelle plate
7	Carrosserie
8	Cornière de support arrière
9	Vis auto-taraudeuse
10	Vis hexagonales M5 x 15

Retrait du panneau avant

Détacher le panneau avant d'installer l'autoradio. Il est possible de détacher le panneau avant et de l'emporter avec soi pour éviter le vol de l'autoradio.



Pour retirer le panneau avant :

- 1 S'assurer que l'autoradio est hors tension.
- 2 Appuyer sur la touche **OPEN** (OUVRIR)  et attendre que le panneau avant s'ouvre complètement.
- 3 Écarter le panneau avant de l'autoradio.
- 4 Ranger le panneau avant dans l'étui fourni.

Attention



Mettre le panneau avant dans l'étui fourni pour le transport. Le panneau avant risque d'être endommagé s'il n'est pas rangé dans son étui de transport.

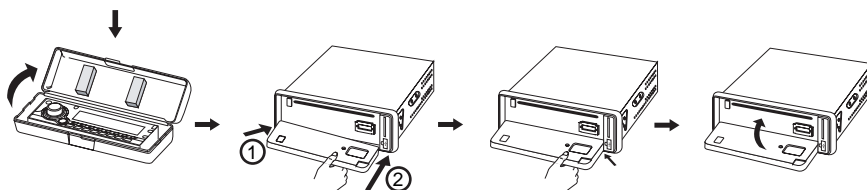
Fixation du panneau avant

Attention



Ne pas appuyer sur le panneau avant trop fortement contre l'autoradio et ni contre l'ACL. Cela pourrait endommager l'autoradio.

Pour attacher le panneau avant :



- 1 Retirer le panneau avant de son étui de transport.
- 2 Les commandes tournées vers le bas, aligner le panneau avant avec les encoches à l'avant de l'autoradio.

- 3 Enclencher soigneusement le panneau avant dans les encoches.

Attention

Ne pas appuyer sur le panneau avant trop fortement contre l'autoradio et ni contre l'écran ACL. L'écran pourrait être endommagé.

- 4 Faire pivoter le panneau avant vers le haut pour fermer l'autoradio.

Retrait de l'autoradio

Pour retirer l'autoradio :

- 1 S'assurer que le contact est coupé, puis débrancher le câble de la borne négative (-) de la batterie du véhicule.
- 2 Enlever la patte métallique fixée à l'arrière de l'appareil (le cas échéant).
- 3 Appuyer sur le bouton de déverrouillage pour ouvrir le panneau avant puis retirer ce dernier.
- 4 Soulever la partie supérieure du cadre de garniture extérieur et l'enlever.
- 5 Insérer les deux clés de dégagement fournies dans les fentes situées au milieu des côtés gauche et droit de l'autoradio, puis extraire l'autoradio du tableau bord.

Fonctionnement de l'autoradio

Mise sous/hors tension de l'autoradio

Pour mettre l'autoradio sous et hors tension :

- 1 Appuyer sur la touche **PWR** (Alimentation) de l'autoradio ou sur la touche **POWER** de la télécommande pour mettre l'autoradio sous tension.
- 2 Appuyer sans relâcher sur la touche **PWR** (Alimentation) de l'autoradio ou sur la touche **POWER** de la télécommande pendant deux secondes pour mettre l'autoradio hors tension.

Réglage du volume

Pour régler le volume :

- Tourner le bouton de volume de l'autoradio vers la gauche ou vers la droite ou appuyer sur la touche **VOL -** ou **+** de la télécommande pour diminuer ou augmenter le volume.

Pour régler le volume initial :

Remarque

Le volume initial est le niveau sonore de l'autoradio à chaque mise sous tension.

- 1 Appuyer sur le sélecteur de fonction de l'autoradio ou sur la touche **SEL** de la télécommande pendant plus deux secondes.
- 2 Après avoir accédé au mode Configuration, appuyer et relâcher le sélecteur de fonctions ou la touche **SEL** jusqu'à ce que **IN VOL** s'affiche sur l'écran.
- 3 Tourner le bouton de volume de l'autoradio vers la gauche ou vers la droite ou appuyer sur la touche **VOL –** ou **+** de la télécommande pour diminuer ou augmenter le volume.
- 4 Attendre trois secondes ou appuyer sur la touche **ENTER** (Entrée) pour enregistrer le niveau sonore.

Pour régler le niveau d'une fonction spécifique :

- 1 Appuyer et relâcher le sélecteur de fonctions de l'autoradio ou la touche **SEL** de la télécommande plusieurs fois jusqu'à ce que la fonction souhaitée s'affiche sur l'écran. Au choix :
 - BAS – Graves
 - TRE – Aigus
 - BAL – Balance
 - FAD – Équilibreur avant-arrière
- 2 Tourner le bouton de volume de l'autoradio ou appuyer sur la touche **VOL** de la télécommande pour régler le niveau de la fonction sélectionnée.

Réglage de l'heure

Pour régler l'heure affichée sur l'écran ACL :

- 1 Appuyer sur le sélecteur de fonction de l'autoradio ou sur la touche **SEL** de la télécommande pendant plus deux secondes.
- 2 Après avoir accédé au mode Configuration, appuyer et relâcher le sélecteur de fonctions ou la touche **SEL** jusqu'à ce que **ADJ** s'affiche sur l'écran.
- 3 Tourner le bouton de volume dans le sens horaire pour régler l'heure, puis tourner le bouton dans le sens anti-horaire pour régler les minutes.

Sélection du mode d'écoute

Pour sélectionner le mode d'écoute :

- 1 Appuyer sur le sélecteur de fonction de l'autoradio ou sur la touche **SEL** de la télécommande pendant plus deux secondes.
- 2 Après avoir accédé au mode Configuration, appuyer et relâcher le sélecteur de fonctions ou la touche **DSP** jusqu'à ce que **ADJ** s'affiche sur l'écran.

- 3 Tourner le bouton de volume pour sélectionner un mode d'écoute.
Au choix :
 - Classique
 - POP
 - Rock
 - Normal
- 4 Attendre trois secondes ou appuyer sur la touche **ENTER** (Entrée) pour enregistrer le mode d'écoute.

Écoute de la radio

Pour écouter la radio :

- 1 Appuyer sur la touche **MODE** de l'autoradio ou de la télécommande une ou plusieurs fois jusqu'à ce **TUNER** (Syntoniseur) s'affiche sur l'écran ACL. La radiofréquence syntonisée actuellement s'affiche sur l'écran ACL.
- 2 Appuyer sur la touche **BD/ENT/SUB** de l'autoradio ou sur la touche **BAND/ENTER** de la télécommande une ou plusieurs fois pour sélectionner la fréquence radio souhaitée. Au choix :
 - FM1
 - FM2
 - FM3
 - AM1
 - AM2
- 3 Pour sélectionner manuellement une station, appuyer sans relâcher sur **◀◀** ou **▶▶** de l'autoradio ou de la télécommande pendant plus d'une seconde. L'autoradio syntonise alors la station suivante disponible. Appuyer de nouveau sur l'une des touches pour passer à une autre station.
- 4 Pour rechercher un canal par balayage, appuyer sans relâcher sur la touche **◀◀** ou **▶▶**. L'autoradio syntonise la station suivante disponible, joue la station pendant deux secondes puis syntonise la station suivante. Dès réception de la station souhaitée, appuyer de nouveau sur la même touche pour stopper le balayage et écouter cette station.
- 5 Pour écouter une station assignée à une touche de présélection, appuyer sur cette touche de l'autoradio ou de la télécommande.

Configuration des touches de présélection


Il est possible d'assigner une station radio à l'une des touches de présélection. Pour écouter la station assignée, appuyer sur la touche de présélection correspondante.

Pour configurer une touche de présélection :

- 1 Appuyer sur la touche **MODE** de l'autoradio ou de la télécommande une ou plusieurs fois jusqu'à ce **TUNER** (Syntoniseur) s'affiche sur l'écran ACL. La station radio syntonisée actuellement s'affiche sur l'écran ACL.
- 2 Appuyer sur la touche **BD/ENT/SUB** de l'autoradio ou sur la touche **BAND/ENTER** de la télécommande une ou plusieurs fois pour sélectionner la fréquence radio souhaitée. Au choix :
 - FM1
 - FM2
 - FM3
 - AM1
 - AM2
- 3 Pour syntoniser une station : Pour les instructions relatives à la syntonisation d'une station radio, se reporter à "Écoute de la radio" voir page 43.
- 4 Appuyer sans relâcher une touche de présélection de l'autoradio ou de la télécommande pendant plus d'une seconde. La station radio est stockée en mémoire et elle s'affiche sur l'écran ACL.

Écoute d'un CD

Pour écouter un CD :

- 1 Appuyer sur la touche **OPEN**  pour ouvrir le panneau avant.
- 2 Insérer un CD dans la fente puis fermer le panneau avant. La lecture du CD commence. Il est possible de :
 - sélectionner une piste spécifique en appuyant sur la touche **◀◀** ou **▶▶** de l'autoradio ou de la télécommande pour passer à la piste souhaitée.
 - arrêter momentanément la lecture en appuyant sur la touche **PAU** de l'autoradio ou de la télécommande. Pour reprendre la lecture normale, appuyer de nouveau sur la touche **PAU**.
 - répéter la lecture d'une piste en appuyant sur la touche **RPT** de l'autoradio ou de la télécommande. Pour désactiver la fonction Répéter, appuyez de nouveau sur la touche **RPT**.
 - écouter les premières secondes de chaque piste d'un CD en appuyant sur la touche **INT** de l'autoradio ou de la télécommande. Lorsque la piste recherchée est localisée, appuyer de nouveau sur la touche **INT** pour désactiver la fonction Recherche et lire la piste.

- lire les pistes de façon aléatoire en appuyant sur la touche **RDM** de l'autoradio ou de la télécommande. Pour désactiver le mode aléatoire, appuyer de nouveau sur la touche **RDM**.
- 3 Ouvrir le panneau avant puis appuyer sur la touche d'éjection ▲ pour éjecter le CD.

Écoute de fichiers MP3 ou WMA

Pour rechercher un fichier MP3 ou WMA par numéro de piste :

- 1 Connecter un périphérique USB à mémoire au port USB ou insérer une carte mémoire dans la fente pour carte mémoire. Le périphérique USB à mémoire ou la carte mémoire doit contenir les fichiers MP3 ou WMA.
- 2 Appuyer sur la touche **A/PS** de l'autoradio ou la touche **MP3/AS/PS** de la télécommande pour lancer la recherche.
- 3 Tourner le bouton de volume de l'autoradio ou appuyer sur une touche **VOL** de la télécommande jusqu'à ce que le premier chiffre du numéro de piste s'affiche sur l'écran ACL.
- 4 Si le numéro de piste comporte plus d'un chiffre, appuyer sur le sélecteur de fonctions de l'autoradio ou sur la touche **SEL** de la télécommande pour passer au chiffre suivant du numéro de piste.
- 5 Tourner le bouton de volume de l'autoradio ou appuyer sur une touche **VOL** de la télécommande jusqu'à ce que le deuxième chiffre du numéro de piste s'affiche sur l'écran ACL.
- 6 Répéter les étapes 4 et 5 pour saisir un troisième chiffre.
- 7 Appuyer sur la touche **BD/ENT/SUB** de l'autoradio ou sur la touche **BAND/ENTER** de la télécommande pour commencer la lecture.
- 8 Pour sélectionner un autre fichier MP3 ou WMA, appuyer sur touche ◀◀ ou sur la touche ▶▶ de la télécommande pour accéder au fichier souhaité.

Pour rechercher un fichier MP3 ou WMA par nom :

- 1 Connecter un périphérique USB à mémoire au port USB ou insérer une carte mémoire dans la fente pour carte mémoire. Le périphérique USB à mémoire ou la carte mémoire doit contenir les fichiers MP3 ou WMA.
- 2 Appuyer deux fois sur la touche **A/PS** de l'autoradio ou sur la touche **MP3/AS/PS** de la télécommande pour lancer la recherche.
- 3 Tourner le bouton de volume de l'autoradio ou l'une des touches **VOL** de la télécommande pour sélectionner le premier caractère du nom de fichier, puis appuyer sur le sélecteur de fonctions de l'autoradio ou sur la touche **SEL** de la télécommande pour passer au caractère suivant du nom de fichier.
- 4 Répéter l'étape 3 pour sélectionner le deuxième caractère du nom de fichier.
- 5 Tourner le bouton de commande du volume de l'autoradio ou l'un des boutons **VOL** de la télécommande pour sélectionner le troisième caractère du nom de fichier.

- 6 Appuyer sur la touche **BD/ENT/SUB** de l'autoradio ou sur la touche **BAND/ENTER** de la télécommande pour confirmer l'entrée. Le premier fichier MP3 ou WMA sur le périphérique USB à mémoire ou sur la carte mémoire qui correspond aux trois caractères saisis s'affiche sur l'écran ACL.
- 7 Si l'autoradio a trouvé plus d'une équivalence, tourner le bouton de volume de l'autoradio ou appuyer sur une touche **VOL** de la télécommande jusqu'à ce que le fichier souhaité s'affiche.
- 8 Appuyer sur la touche **BD/ENT/SUB** de l'autoradio ou sur la touche **BAND/ENTER** de la télécommande pour commencer la lecture.
- 9 Pour sélectionner un autre fichier MP3 ou WMA, appuyer sur touche **◀◀** ou sur la touche **▶▶** de la télécommande pour accéder au fichier souhaité.

Pour la recherche d'un dossier contenant des fichiers MP3 ou WMA :

- 1 Connecter un périphérique USB à mémoire au port USB ou insérer une carte mémoire dans la fente pour carte mémoire. Le périphérique USB à mémoire ou la carte mémoire doit contenir les fichiers MP3 ou WMA.
- 2 Appuyer trois fois sur la touche **A/PS** de l'autoradio ou sur la touche **MP3/AS/PS** de la télécommande pour lancer la recherche.
- 3 Tourner le bouton de volume de l'autoradio ou un bouton **VOL** de la télécommande pour sélectionner le dossier souhaité.
- 4 Appuyer sur la touche **BD/ENT/SUB** de l'autoradio ou sur la touche **BAND/ENTER** de la télécommande pour commencer la lecture.
- 5 Pour sélectionner un autre fichier MP3 ou WMA, appuyer sur touche **◀◀** ou sur la touche **▶▶** de la télécommande pour accéder au fichier souhaité.
- 6 Pour sélectionner un autre dossier de fichiers MP3 ou WMA, appuyer sur la touche **D-DN** de l'autoradio ou de la télécommande pour le dossier suivant ou appuyer sur la touche **D-UP** de l'autoradio ou de la télécommande pour revenir au dossier précédent.

Enregistrement à partir de l'autoradio

Pour enregistrer à partir d'un CD :

- 1 Connecter un périphérique USB à mémoire au port USB ou insérer une carte mémoire dans la fente pour carte mémoire.
- 2 Sélectionner la chanson à enregistrer.
- 3 Appuyer sur la touche **SCN/REC** de l'autoradio ou sur la touche **SCAN/REC** de la télécommande pendant plus de deux secondes.

- 4 Appuyer et relâcher la touche **SCN/REC** ou la touche **SCAN/REC** une ou plusieurs fois pour le périphérique USB à mémoire ou la carte mémoire sur lequel effectuer l'enregistrement et sélectionner le nombre de piste à enregistrer. Au choix :
 - MMC ALL – enregistrement de toutes les chansons d'un CD sur une carte mémoire.
 - MMC ONE – enregistrement de la chanson sélectionnée sur une carte mémoire.
 - USB ALL – enregistrement de toutes les chansons d'un CD sur un périphérique USB à mémoire.
 - USB ONE – enregistrement de la chanson sélectionnée sur un périphérique USB à mémoire.
- 5 Appuyer sur la touche **BD/ENT/SUB** de l'autoradio ou sur la touche **BAND/ENTER** de la télécommande pour commencer l'enregistrement.
- 6 Appuyer de nouveau sur la touche **ENT** pour arrêter l'enregistrement.

Enregistrement à partir de la radio

Pour enregistrer à partir de la radio :

- 1 Connecter un périphérique USB à mémoire au port USB ou insérer une carte mémoire dans la fente pour carte mémoire.
- 2 Sélectionner la station de radio à enregistrer.
- 3 Appuyer sur la touche **SCN/REC** de l'autoradio ou sur la touche **SCAN/REC** de la télécommande pendant plus de deux secondes.
- 4 Appuyer et relâcher la touche **SCN/REC** ou la touche **SCAN/REC** une ou plusieurs fois pour sélectionner le dispositif sur lequel effectuer l'enregistrement. Au choix :
 - SD/MCC – enregistrement sur une carte mémoire.
 - USB – enregistrement sur un périphérique USB à mémoire.
- 5 Appuyer sur la touche **BD/ENT/SUB** de l'autoradio ou sur la touche **BAND/ENTER** de la télécommande pour commencer l'enregistrement.
- 6 Appuyer sur la touche **BD/ENT/SUB** ou sur la touche **BAND/ENTER** pour arrêter l'enregistrement.

Suppression de fichiers enregistrés

Pour supprimer des fichiers enregistrés sur une carte mémoire ou un périphérique USB à mémoire :

- 1 Connecter un périphérique USB à mémoire au port USB ou insérer une carte mémoire dans la fente pour carte mémoire.
- 2 Sélectionner et lire le fichier à supprimer.

- 3 Appuyer sur la touche **SCN/REC** de l'autoradio ou sur la touche **SCAN/REC** de la télécommande pendant plus de deux secondes. **DELETE** (Supprimer) s'affiche sur l'écran ACL.
- 4 Appuyer sur la touche **BD/ENT/SUB** de l'autoradio ou sur la touche **BAND/ENTER** de la télécommande pour confirmer la suppression.

Spécifications

La conception et les spécifications sont sujettes à modifications sans avis préalable.

Autoradio

Rapport signal à bruit	> 60 dB
Séparation des canaux	> 50 dB (1 kHz)
Réponse en fréquence	20 Hz – 20 kHz

Syntoniseur FM

Gamme de fréquence	87.5 – 107.9 MHz
Échelon de fréquence	200z
Fréquence intermédiaire	10.7
Sensibilité :	5 μ V
Séparation stéréo	25 dB
Rapport signal à bruit	50 dB

Syntoniseur AM

Gamme de fréquence	530 – 1710 kHz
Fréquence intermédiaire	450 kHz
Sensibilité utile	32 dB μ V

Sortie ligne

Sortie	5 V (maxi)
Impédance	10 kOhms

Spécifications générales

Alimentation	13,8 V CC (10,8 ~ 15,6 V admissible)
Impédance de haut-parleur	4 ou 8 ohms
Puissance de sortie :	40 W × 4 CH

Dépannage

Ne peut pas lire certains périphériques à mémoire

- Cet autoradio n'est pas compatible avec tous les périphériques USB à mémoire.
- Le périphérique USB à mémoire peut être doté d'un format spécial. Essayer de formater le périphérique USB à mémoire au standard FAT 16 ou FAT 32.

Ne peut pas lire des chansons téléchargées de l'Internet.

- Il n'est pas possible de lire des chansons téléchargées de l'Internet parce qu'elles sont protégées par des dispositifs DRM (Gestion des droits numériques).

L'autoradio prend environ 60 secondes à reconnaître un dispositif USB à mémoire.

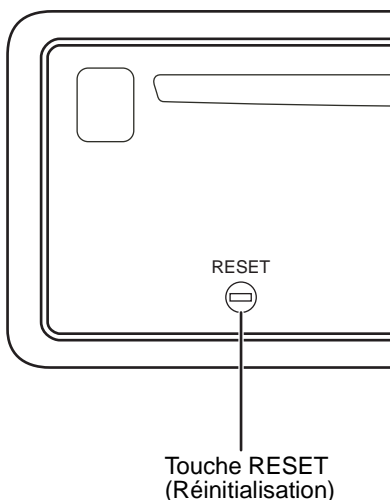
- L'autoradio doit balayer les fichiers stockés sur le périphérique USB à mémoire. Ceci peut prendre plusieurs secondes.

L'écran ACL n'affiche pas correctement le titre de la chanson MP3.

- Les titres de chansons en langue étrangère peuvent s'afficher incorrectement.
- L'identifiant du fichier MP3 peut être dans un format autre que le format ID Tag 3.

L'autoradio ne se met pas en marche ou aucun son n'est audible.

- Appuyer sur la touche **RESET** (Réinitialiser) du panneau avant.



- Vérifier que les connexions sont correctes.
- Vérifier le fusible. Si le fusible est défectueux, le remplacer. Si le fusible grille de nouveau, contacter un réparateur qualifié.

Aucune sortie audio lorsque l'autoradio est connecté à des amplificateurs.

- Il se peut que les amplificateurs requièrent une puissance de courant excessive.

Aucune sortie audio lorsque l'antenne électrique est branchée.

- Court-circuit à la masse du fil conducteur de l'antenne électrique.
- Il se peut que l'antenne électrique requière une puissance de courant excessive.

Une touche ne répond pas à son activation ou l'écran ACL affiche des informations incorrectes.

- Appuyer sur la touche **RESET** du panneau avant en la maintenant enfoncée pendant deux secondes.
- Il se peut que les broches de connecteur sur le panneau avant soient sales. Nettoyer les broches à l'aide d'un chiffon doux.
- Si le problème persiste, contacter un réparateur qualifié.

L'autoradio relaie des « bruits de moteur ».

- Vérifier que le fil de masse n'est pas court-circuité.

Le bouton d'alimentation émet un bip.

Pour arrêter le bip, appuyer sans relâcher sur le bouton de volume afin d'accéder au mode de configuration, puis couper le son. Tourner le bouton de volume jusqu'à ce que **BEEP** s'affiche à l'écran, puis tourner le bouton de volume pour sélectionner **OFF** (Désactivé).

Les numéros de stations mémorisées sont perdus lors du remplacement des piles ou lorsque les piles sont à plat.

- La mémorisation des stations pré réglées est perdue lorsque les piles sont remplacées ou à plat. Reprogrammer les touches de présélection.

L'autoradio s'éteint immédiatement après sa mise sous tension.

- Les piles sont faibles. Remplacer les piles.
- Si le problème persiste après le remplacement des piles, contacter un réparateur qualifié.

Entretien

Si le fusible grille, vérifier la connexion d'alimentation et remplacer le fusible. Si le fusible grille de nouveau, contacter un réparateur qualifié.

Attention

Veiller à utiliser un fusible de 10 A. Un fusible d'ampérage supérieur risque d'endommager l'autoradio.

Avis juridiques**Déclaration de conformité FCC**

Cet appareil est conforme à l'article 15 du règlement de la FCC. Son utilisation est soumise aux deux conditions suivantes :

- Cet appareil ne doit pas émettre d'interférences nuisibles, et
- Cet appareil doit accepter toutes les interférences reçues, y compris celles pouvant provoquer un fonctionnement non désiré.

Avertissement de la FCC

Avertissement



Radiations lasers visibles et invisibles de classe 3B en cas d'ouverture.

Éviter toute exposition directe aux rayons laser. Cet équipement a été testé et déclaré conforme aux limitations prévues dans le cadre de la catégorie B des appareils numériques, définie par l'article 15 du règlement de la FCC. Ces limites ont été établies pour fournir une protection raisonnable contre les interférences nuisibles lors d'une installation résidentielle. Cet équipement crée, utilise et peut émettre de l'énergie de fréquence radio et peut, s'il n'est pas installé et utilisé suivant les instructions du manuel du fabricant, être la cause d'interférences avec la réception radio et télévision. Toutefois, les interférences pour la réception de la télévision peuvent être déterminées en allumant et en éteignant l'équipement.

L'utilisateur est alors encouragé à essayer de corriger les interférences en prenant une ou plusieurs des mesures suivantes :

- Réorienter ou déplacer l'antenne réceptrice
- Changer la position de l'équipement par rapport au récepteur.
- Brancher l'équipement sur la prise électrique d'un circuit différent de celui auquel le récepteur est relié
- Contacter le revendeur ou un technicien radio/télévision qualifié.

Attention



Tous changements ou modifications qui ne seraient pas expressément approuvés par les responsables des normes pourraient rendre nul le droit de l'utilisateur d'utiliser cet équipement.

Pour l'Europe



Le lecteur est conforme aux directives CEM et basse tension.

Garantie Limitée

Insignia Products garantit au premier acheteur de ce produit, qu'il sera exempt de défauts de fabrication et de main-d'oeuvre pour une période de quatre vingt dix (90) jours à partir de la date d'achat, conformément aux détails ci-dessous :

- 1 MAIN-D'OEUVRE :** Pendant la période de garantie, si ce produit est considéré comme étant défectueux, Insignia le réparera ou le remplacera, à sa convenance, gratuitement, ou paiera les frais de main-d'oeuvre à tout service de réparation agréé par Insignia. Au-delà de la période de garantie, l'utilisateur sera redevable de tous les frais afférents à la main-d'oeuvre.
- 2 PIÈCES DÉTACHÉES :** En outre, Insignia fournira gratuitement les pièces détachées neuves ou remises à neuf, en échange des pièces défectueuses pendant la durée de la garantie. À l'expiration de la période de garantie le coût de toute pièce détachée sera à votre charge.

Pour obtenir le service de la garantie, vous devrez amener le produit accompagné du reçu original ou de toute autre preuve d'achat, soit dans son emballage original, soit dans un emballage procurant des conditions identiques de protection, chez votre détaillant le plus proche du magasin ou site web où vous vous serez procuré le produit.

Cette garantie ne couvre pas les dommages esthétiques, ou ceux résultants de catastrophes naturelles, de la foudre, d'un accident, d'une mauvaise utilisation, de manipulations abusives, de négligence, d'une utilisation commerciale ou d'une modification de tout ou partie du produit, y compris l'antenne. Cette garantie ne couvre aucun dommage ayant pour origine une utilisation ou une maintenance défectueuse, la connexion à une source électrique dont la tension est inadéquate, ou encore toute réparation réalisée par quiconque autre qu'un service de réparation agréé par Insignia. Cette garantie ne couvre pas les produits vendus « EN L'ÉTAT » ou « HORS SERVICE », ou les consommables (tels que les fusibles ou les piles). Cette garantie n'est applicable qu'aux États-Unis et au Canada.

La garantie est annulée si le numéro de série usine a été altéré ou enlevé du produit.

LA RÉPARATION OU LE REMPLACEMENT, TELS QU'OFFERTS PAR CETTE GARANTIE CONSTITUENT LE SEUL RECOURS DU CONSOMMATEUR. INSIGNIA NE POURRA PAS ÊTRE TENU POUR RESPONSABLE DE DOMMAGES ACCESSOIRES OU CONSÉCUTIFS, OU DE L'INEXÉCUTION D'UNE GARANTIE EXPRESSE OU IMPLICITE SUR CE PRODUIT. SAUF POUR LES DISPOSITIONS PROHIBÉES PAR LES LOIS APPLICABLES, TOUTE GARANTIE IMPLICITE DE QUALITÉ MARCHANDE OU D'ADAPTATION À UN USAGE PARTICULIER RELATIVE À CE PRODUIT EST LIMITÉE À LA PÉRIODE DE GARANTIE APPLICABLE TELLE QUE DÉCRITE CI-DESSUS.

Certains états ou provinces ne permettent ni l'exclusion ou la limitation des dommages accessoires ou consécutifs, ni les limitations implicites de durée d'une garantie, de sorte que les limitations ou exclusions énoncées ci-dessus peuvent être nulles dans votre cas. Cette garantie vous donne des droits spécifiques, et vous pouvez aussi disposer d'autres droits qui varient d'un état à l'autre, ou d'une province à une autre.

Vous pouvez contacter le service à la clientèle en appelant le 1-877-467-4289

www.insignia-products.com

Insignia Products, Richfield, Minnesota , U.S.A.

Bienvenido

Felicitaciones por su compra de un producto de alta calidad de Insignia. Su NS-C5111 representa el más moderno diseño de unidad para automóvil, y está concebido para brindar un rendimiento confiable y sin problemas.

Contenido

Introducción	55
Información de seguridad	55
Componentes	56
Instalación de su unidad para automóvil.	66
Uso de la unidad para automóvil	70
Especificaciones	77
Solución de problemas	79
Mantenimiento	80
Avisos legales.	80

Introducción

Su unidad para automóvil incluye un control remoto y una radio de AM/FM. La unidad para automóvil puede reproducir CD, archivos MP3 y WMA. La unidad para automóvil también incluye un puerto USB (para conectar un dispositivo de memoria USB) y una ranura para tarjeta de memoria (para insertar una tarjeta de memoria SD o MMC). Cuando se instala un dispositivo de memoria USB o se inserta una tarjeta de memoria SD o MMC, puede reproducir las canciones almacenadas en el dispositivo de memoria o en la tarjeta de memoria. También puede grabar desde la radio de su automóvil o desde el reproductor de CD al dispositivo de memoria o tarjeta de memoria. Su unidad para automóvil también es compatible con todos los dispositivos iPod, excepto el iPod Video.

Nota

Algunos dispositivos de memoria USB pueden no ser 100% compatibles con su unidad para automóvil.

Información de seguridad

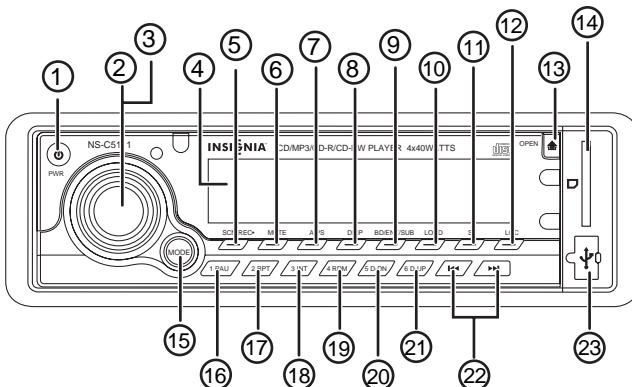
- Seleccione cuidadosamente la ubicación de montaje para asegurarse de que su unidad para automóvil no interfiera con las funciones de manejo normales.
- No instale su unidad para automóvil donde pueda estar expuesta a altas temperaturas, por ejemplo la luz directa del sol o el sistema de calefacción del automóvil.
- No instale la unidad para automóvil donde pueda estar expuesta al polvo, suciedad o vibración excesiva.
- Use sólo los accesorios de montaje suministrados.

Componentes


Contenido de la caja

- Unidad para automóvil
- Panel de control desmontable
- Caja del panel de control
- Control remoto
- Batería CR2025 del control remoto
- Soporte de montaje
- Fleje de montaje
- Arandelas de resorte (2)
- Tornillo TS 5 × 16
- Llaves de liberación (2)
- Cubierta del acabado
- Cable conector de alimentación ISO
- Cable conector de altavoces ISO
- Guía del usuario

Frente



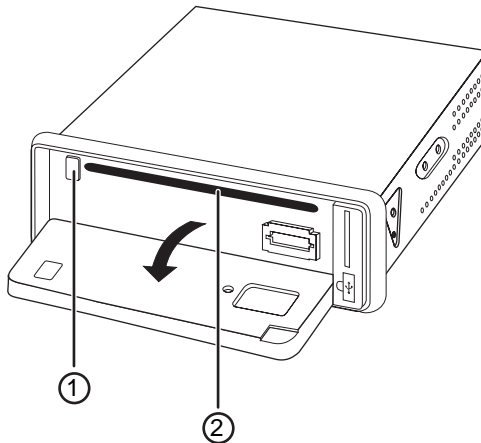
	Componente	Descripción
1	PWR	Presione para encender su unidad para automóvil. Presione durante dos segundos para apagar su unidad para automóvil.
2	Selección de funciones	Presione para seleccionar la función que desea ajustar. Puede seleccionar: <ul style="list-style-type: none">• BAJOS• AGUDOS• BALANCE• ATENUADOR• VOLUMEN INICIAL• CT (hora del reloj)• MODO REC• DSP
3	Subir volumen/bajar volumen	Gire este mando para ajustar el volumen general. Cuando se usa con el botón de selección de función, puede ajustar los niveles individuales de volumen para: <ul style="list-style-type: none">• BAJOS• AGUDOS• BALANCE• ATENUADOR• VOLUMEN INICIAL• CT (hora del reloj)• MODO REC• DSP
4	LCD	Muestra información acerca de su unidad para automóvil.
5	SCN/REC	Cuando esté reproduciendo un CD o escuchando la radio, presione para comenzar a grabar a un dispositivo de memoria USB conectado o a una tarjeta de memoria insertada.
6	MUTE (Silenciar)	Presione para silenciar el sonido.
7	A/PS	Presione para buscar archivos MP3 o WMA en un dispositivo de memoria USB o tarjeta de memoria.
8	DISP	Presione para ver la hora, la frecuencia y la información de la pista.

	Componente	Descripción
9	BD/ENT/SUB	<p>Cuando esté escuchando la radio, presione para seleccionar la banda. Puede seleccionar FM1, FM2, FM3, AM1 o AM2.</p> <p>Cuando seleccione canciones o elimine archivos, presione para confirmar su selección.</p> <p>Presione y mantenga presionado para encender o apagar el altavoz secundario.</p>
10	LOUD (Sonido alto)	<p>Presione para aumentar los niveles de volumen de los bajos y agudos. Esta función es útil cuando usted está escuchando a un nivel bajo de volumen. Cuando esta función está activada, aparece LOUD en la pantalla.</p>
11	ST	<p>Presione para seleccionar STEREO (estéreo) o MONO (Monofónico).</p>
12	LOC	<p>Presione para mejorar la recepción cuando escucha una estación con una señal débil. Presione de nuevo para regresar al modo de escucha normal.</p>
13	OPEN (abrir) 	<p>Presione para abrir el panel frontal.</p>
14	Ranura para tarjeta de memoria	<p>Inserte una tarjeta de memoria SD o MMC para escuchar las canciones de la tarjeta de memoria o para grabar canciones del CD o de la radio a la tarjeta de memoria.</p>
15	MODE (Modo)	<p>Presione para seleccionar una fuente de audio. Dependiendo de los equipos conectados a su unidad para automóvil, puede seleccionar:</p> <ul style="list-style-type: none"> • AUX (conexión de dispositivo de audio externo) • TUNER (Sintonizador) • CD-MP3 • USB • MMC/SD

	Componente	Descripción
16	1 PAU	<p>Cuando esté reproduciendo un CD, un archivo MP3 o un archivo WMA, presione para pausar la reproducción. Presione de nuevo para regresar a la reproducción normal.</p> <p>Cuando esté escuchando la radio, presione durante más de un segundo para almacenar la frecuencia de la estación en estación predefinida 1.</p>
17	2 RPT	<p>Cuando esté reproduciendo un CD, un archivo MP3 o un archivo WMA, presione para repetir la canción actual. Presione de nuevo para regresar a la reproducción normal.</p> <p>Cuando esté escuchando la radio, presione durante más de un segundo para almacenar la frecuencia de la estación en estación predefinida 2.</p>
18	3 INT	<p>Cuando esté reproduciendo un CD, presione para reproducir los primeros segundos de cada canción del CD. Presione de nuevo para regresar a la reproducción normal.</p> <p>Cuando esté escuchando la radio, presione durante más de un segundo para almacenar la frecuencia de la estación en estación predefinida 3.</p>
19	4 RDM	<p>Cuando esté reproduciendo un CD, presione para reproducir las canciones en orden aleatorio (al azar). Presione de nuevo para regresar a la reproducción normal.</p> <p>Cuando esté escuchando la radio, presione durante más de un segundo para almacenar la frecuencia de la estación en estación predefinida 4.</p>
20	5 D-DN	<p>Cuando esté reproduciendo un archivo MP3, presione para seleccionar la siguiente carpeta MP3.</p> <p>Cuando esté escuchando la radio, presione durante más de un segundo para almacenar la frecuencia de la estación en estación predefinida 5.</p>

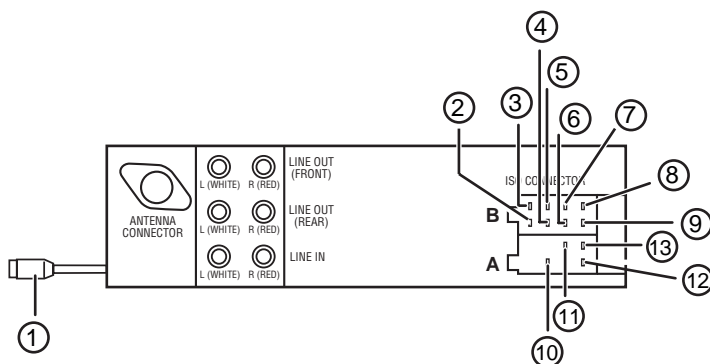
	Componente	Descripción
21	6 D-UP	<p>Cuando esté reproduciendo un archivo MP3, presione para seleccionar la carpeta MP3 anterior.</p> <p>Cuando esté escuchando la radio, presione durante más de un segundo para almacenar la frecuencia de la estación en estación predefinida 6.</p>
22	◀◀ y ▶▶	<p>Presione para ir a la canción siguiente o anterior en un CD o en una carpeta MP3. Presione y mantenga presionado para hacer avance rápido o retroceso rápido de las canciones de un CD o carpeta MP3.</p>
23	Puerto USB	<p>Enchufe un dispositivo de memoria USB en este puerto para reproducir los archivos MP3 o WMA almacenados en el dispositivo de memoria USB, o para grabar de la radio o de un CD a un dispositivo de memoria USB.</p>

Frente con el panel frontal abierto



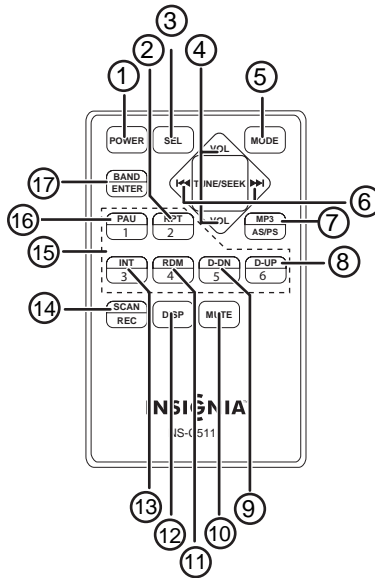
	Componente	Descripción
1	Botón de expulsión del CD ▲	Presione para expulsar el CD de la ranura para CD.
2	Ranura para CD	Inserte un CD de audio en esta ranura.

Conectores ISO



1	Conector de altavoz secundario para graves	Verde
2	Altavoz posterior derecho -	Violeta/negro
3	Altavoz posterior derecho +	Violeta
4	Altavoz delantero derecho -	Gris/negro
5	Altavoz delantero derecho +	Gris
6	Altavoz delantero izquierdo -	Blanco/negro
7	Altavoz delantero izquierdo +	Blanco
8	Altavoz posterior izquierdo +	Verde
9	Altavoz posterior izquierdo -	Verde/negro
10	Memoria +12 V	Amarillo
11	Salida de antena automática	Azul
12	Conexión a tierra	Negro
13	+12 V (a la llave de ignición)	Rojo

Control remoto



	Botón	Descripción
1	POWER (Botón de encendido)	Presione para encender su unidad para automóvil. Presione y mantenga presionado durante dos segundos para apagar su unidad para automóvil.
2	RPT/2	<p>Cuando esté reproduciendo un CD, un archivo MP3 o un archivo WMA, presione para repetir la canción actual. Presione de nuevo para regresar a la reproducción normal.</p> <p>Cuando esté escuchando la radio, presione durante más de un segundo para almacenar la frecuencia de la estación en estación predefinida 2.</p>

	Botón	Descripción
3	SEL	<p>Presione para seleccionar la función que desea ajustar. Puede seleccionar:</p> <ul style="list-style-type: none"> • BAJOS • AGUDOS • BALANCE • ATENUADOR • VOLUMEN INICIAL • CT (hora del reloj) • MODO REC • DSP
4	VOL	<p>Presione el botón de volumen superior para aumentar el volumen general. Presione el botón de volumen inferior para disminuir el volumen general.</p> <p>Cuando se usa con el botón SEL, puede ajustar los niveles individuales de volumen para:</p> <ul style="list-style-type: none"> • BAJOS • AGUDOS • BALANCE • ATENUADOR • VOLUMEN INICIAL • CT (hora del reloj) • MODO REC • DSP
5	MODE (Modo)	<p>Presione para seleccionar una fuente de audio. Dependiendo de los equipos conectados a su unidad para automóvil, puede seleccionar:</p> <ul style="list-style-type: none"> • AUX (conexión de dispositivo de audio externo) • TUNER (Sintonizador) • CD-MP3 • USB • MMC/SD
6	◀◀ y ▶▶	<p>Presione para ir a la canción siguiente o anterior en un CD o en una carpeta MP3. Presione y mantenga presionado para hacer avance rápido o retroceso rápido de las canciones de un CD o carpeta MP3.</p>
7	MP3/AS/PS	<p>Cuando esté escuchando la radio, presione escanear las estaciones predefinidas.</p> <p>Cuando esté reproduciendo un archivo MP3 o WMA, presione para iniciar la función de búsqueda.</p>

	Botón	Descripción
8	D-UP/6	<p>Cuando esté reproduciendo un archivo MP3, presione para seleccionar la carpeta MP3 anterior.</p> <p>Cuando esté escuchando la radio, presione durante más de un segundo para almacenar la frecuencia de la estación en estación predefinida 6.</p>
9	D-DN/5	<p>Cuando esté reproduciendo un archivo MP3, presione para seleccionar la siguiente carpeta MP3.</p> <p>Cuando esté escuchando la radio, presione durante más de un segundo para almacenar la frecuencia de la estación en estación predefinida 5.</p>
10	MUTE (Silenciar)	Presione para silenciar el sonido.
11	RDM/4	<p>Cuando esté reproduciendo un CD, presione para reproducir las canciones en orden aleatorio (al azar). Presione de nuevo para regresar a la reproducción normal.</p> <p>Cuando esté escuchando la radio, presione durante más de un segundo para almacenar la frecuencia de la estación en estación predefinida 4.</p>
12	DISP	Presione para ver la hora, la frecuencia y la información de la pista.
13	INT/3	<p>Cuando esté reproduciendo un CD, presione para reproducir los primeros segundos de cada canción del CD. Presione de nuevo para regresar a la reproducción normal.</p> <p>Cuando esté escuchando la radio, presione durante más de un segundo para almacenar la frecuencia de la estación en estación predefinida 3.</p>
14	SCAN/REC	Cuando esté reproduciendo un CD o escuchando la radio, presione para comenzar a grabar a un dispositivo de memoria USB conectado o a una tarjeta de memoria insertada.

	Botón	Descripción
15	Presets (Predefinidos)	<p>Presione para asignar la estación de radio que está escuchando actualmente a uno de los botones predefinidos. La frecuencia de la estación queda almacenada. Cuando desee escuchar la estación almacenada, presione el botón que asignó a dicha estación.</p>
16	PAU/1	<p>Cuando esté reproduciendo un CD, un archivo MP3 o un archivo WMA, presione para pausar la reproducción. Presione de nuevo para regresar a la reproducción normal.</p> <p>Cuando esté escuchando la radio, presione durante más de un segundo para almacenar la frecuencia de la estación en estación predefinida 1.</p>
17	BAND/ENTER (Banda/Ingresar)	<p>Cuando esté escuchando la radio, presione para seleccionar la banda. Puede seleccionar FM1, FM2, FM3, AM1 o AM2.</p> <p>Cuando seleccione canciones o elimine archivos, presione para confirmar su selección.</p>

Instalación de su unidad para automóvil

Cómo instalar su unidad para automóvil

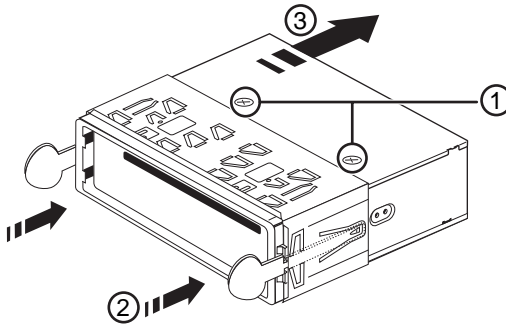
Cuidado



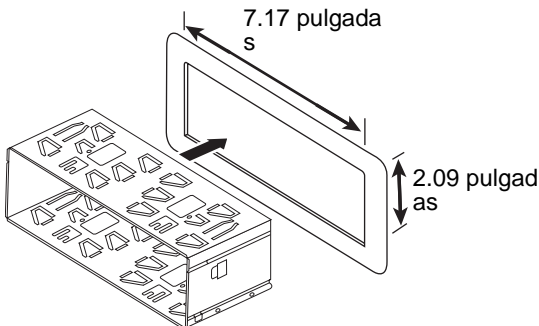
Asegúrese de extraer el panel frontal antes de instalar su unidad para automóvil. Si no extrae el panel frontal, puede dañar su unidad para automóvil.

Para instalar su unidad para automóvil:

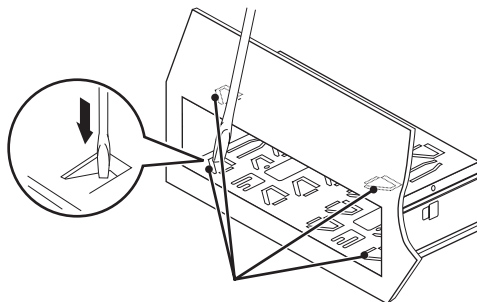
- 1 Desmonte la cubierta frontal: Para obtener instrucciones, vea "Desmontaje del panel frontal" en la página 68
- 2 Quite los dos tornillos (1), extraiga los soportes (2), luego deslice su unidad para automóvil fuera de la caja (3).



- 3 Inserte la caja en la abertura de su tablero de instrumentos.



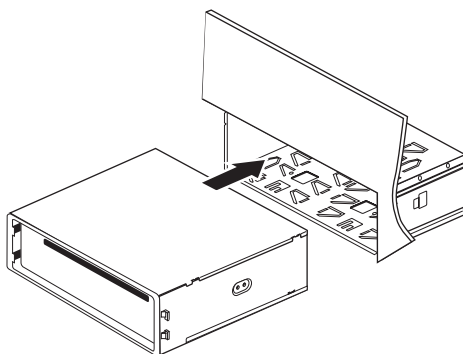
- 4 Si es necesario, doble los ganchos metálicos para asegurar que la caja encaje firmemente en la abertura.



- 5 Deslice la unidad para automóvil dentro de la caja.

Nota

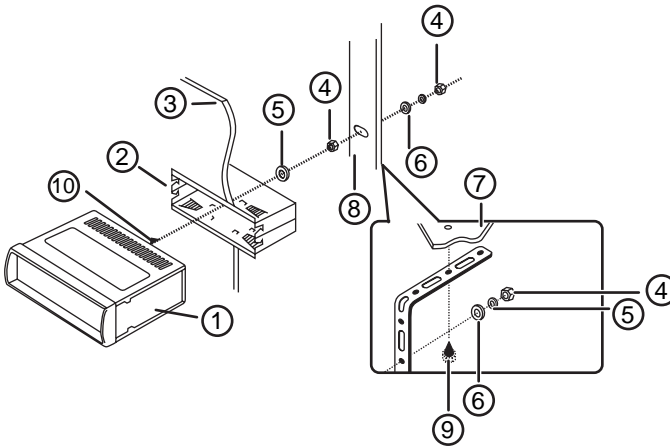
El ángulo de inclinación de la unidad para automóvil no debe ser de más de 30°. De lo contrario, el panel frontal no se abrirá.

**Nota**

Guarde las llaves de liberación en un lugar seguro. Las necesitará si necesita extraer la unidad del automóvil.

Instalación del ángulo de soporte

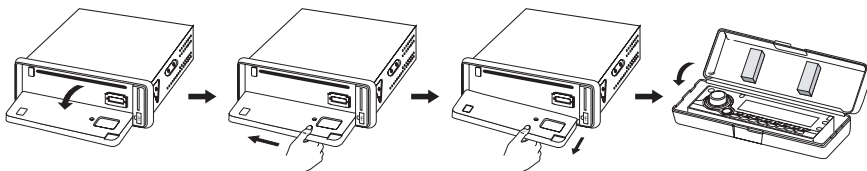
Use la siguiente ilustración para instalar el ángulo de soporte.




1	Unidad para automóvil
2	Liberación de caja
3	Tablero de instrumentos
4	Tuerca hexagonal
5	Arandela de seguridad
6	Arandela corriente
7	Carrocería del automóvil
8	Ángulo de soporte posterior
9	Tornillo roscado
10	Tornillo hexagonal M5 x 15

Desmontaje del panel frontal

Usted debe desmontar el panel frontal antes de instalar su unidad para automóvil. También puede desmontar el panel frontal y llevarlo consigo para evitar el robo de la unidad de su automóvil.



Para desmontar el panel frontal:

- 1 Verifique que su unidad para automóvil se encuentra apagada.
- 2 Presione el botón **OPEN** (Abrir)  y espere que el panel frontal se abra completamente.
- 3 Jale el panel frontal separándolo de la unidad para automóvil.
- 4 Guarde el panel frontal en la caja suministrada.

Cuidado



Quando transporte el panel frontal, póngalo en la caja suministrada. Si no usa la caja, puede dañar el panel frontal.

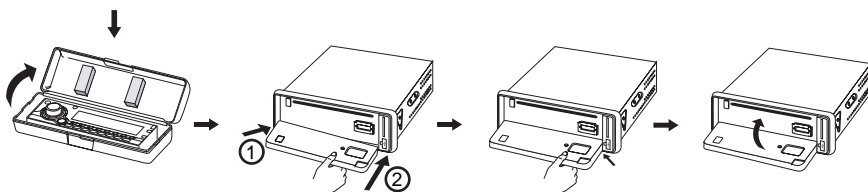
Acoplamiento del panel frontal

Cuidado



No presione excesivamente el panel frontal contra la unidad para automóvil, y no presione la pantalla LCD. Puede dañar la unidad para automóvil.

Para acoplar el panel frontal:



- 1 Extraiga el panel frontal de su caja de transporte.
- 2 Con los controles orientados hacia abajo, alinee el panel frontal con las muescas situadas en la parte frontal de su unidad para automóvil.

- 3 Presione suavemente el panel frontal dentro de las muescas.



No presione excesivamente el panel frontal contra la unidad para automóvil, y no presione la pantalla LCD. Puede dañar la pantalla.

- 4 Gire hacia arriba el panel frontal para cerrar su unidad para automóvil.

Cómo extraer su unidad para automóvil

Para extraer su unidad para automóvil:

- 1 Asegúrese de que el interruptor de ignición del automóvil esté apagado, luego desconecte el cable negativo de la batería del automóvil.
- 2 Extraiga el soporte metálico de la parte posterior de la unidad para automóvil (si está acoplado).
- 3 Presione el botón de liberación para abrir el panel frontal, luego extraiga el panel frontal.
- 4 Levante la parte superior del marco exterior de ajuste y luego tire de éste.
- 5 Inserte las llaves de liberación en las ranuras de los lados central derecho e izquierdo de la unidad para automóvil, luego tire de ésta para extraerla del tablero de instrumentos.

Uso de la unidad para automóvil

Cómo encender y apagar la unidad para automóvil

Cómo encender y apagar la unidad para automóvil:

- 1 Presione el botón **PWR** de la unidad para automóvil, o el botón **POWER** del control remoto para encender su unidad para automóvil.
- 2 Presione sin soltar el botón **PWR** de la unidad para automóvil, o el botón **POWER** del control remoto durante dos segundos para apagar su unidad para automóvil.

Ajuste del volumen

Para ajustar el volumen general:

- Gire el mando del volumen de la unidad para automóvil hacia la izquierda o derecha o presione el botón de aumentar o bajar **VOL** del control remoto para subir o bajar el volumen.

Para ajustar el volumen inicial:

Nota

El volumen inicial es el nivel de volumen que su unidad para automóvil usa cada vez que usted enciende la unidad para automóvil.

- 1 Presione el botón de selección de funciones de la unidad para automóvil o presione el botón **SEL** del control remoto durante más de dos segundos.
- 2 Después de entrar al modo de configuración, presione y suelte el botón de selección de funciones o **SEL** hasta que aparezca **IN VOL** en la pantalla.
- 3 Gire el mando del volumen de la unidad para automóvil hacia la izquierda o derecha o presione el botón de aumentar o bajar **VOL** del control remoto para subir o bajar el volumen inicial.
- 4 Espere tres segundos o presione el botón **ENTER** (Ingresar) para guardar el nivel de volumen.

Para ajustar el nivel de una función específica:

- 1 Presione y suelte el botón de selección de funciones de la unidad para automóvil o el botón **SEL** del control remoto repetidamente hasta que la función deseada aparezca en la pantalla. Puede seleccionar:
 - BAS – Bajos
 - TRE – Agudos
 - BAL – Balance
 - FAD – Atenuador
- 2 Gire el mando del volumen en la unidad para automóvil o presione un botón de **VOL** del control remoto para ajustar el nivel de la función seleccionada.

Ajuste de la hora

Para ajustar la hora mostrada en la pantalla LCD:

- 1 Presione el botón de selección de funciones de la unidad para automóvil o el botón **SEL** del control remoto durante más de dos segundos.
- 2 Después de entrar al modo de configuración, presione y suelte el botón de selección de funciones o **SEL** hasta que aparezca **ADJ** en la pantalla.
- 3 Gire el mando del volumen hacia la derecha para establecer la hora, luego gire el mando del volumen hacia la izquierda para establecer los minutos.

Selección del modo de escucha

Para seleccionar el modo de escucha:

- 1 Presione el botón de selección de funciones de la unidad para automóvil o el botón **SEL** del control remoto durante más de dos segundos.
- 2 Después de entrar al modo de configuración, presione y suelte el botón de selección de funciones o **SEL** hasta que aparezca **DSP** en la pantalla.
- 3 Gire el mando del volumen para seleccionar un modo de escucha. Puede seleccionar:
 - Classic (Clásica)
 - POP
 - Rock
 - Flat (Normal)
- 4 Espere tres segundos o presione el botón **ENTER** (Ingresar) para guardar el modo de escucha.

Para escuchar la radio

Para escuchar la radio:

- 1 Presione el botón **MODE** (Modo) de la unidad para automóvil o del control remoto una o más veces hasta que aparezca **TUNER** (Sintonizador) en la pantalla LCD. La frecuencia de radio actualmente seleccionada aparece en la pantalla LCD.
- 2 Presione el botón **BD/ENT/SUB** de la unidad para automóvil o el botón **BAND/ENTER** (Banda/Ingresar) del control remoto una o más veces para seleccionar la banda de radio deseada. Puede seleccionar:
 - FM1
 - FM2
 - FM3
 - AM1
 - AM2
- 3 Si desea seleccionar manualmente una estación, presione y mantenga presionado el botón **◀◀** o **▶▶** de la unidad para automóvil o del control remoto por más de un segundo. La unidad para automóvil sintoniza la siguiente estación disponible. Presione uno de los botones nuevamente para ir a otra estación.

- 4 Si desea escanear un canal, presione y suelte el botón **◀◀** o **▶▶**. La unidad para automóvil va a la siguiente estación disponible y reproduce la estación por dos segundos, luego va a la siguiente estación. Cuando escuche la estación que desea, presione nuevamente el mismo botón para detener el escán y reproducir la estación.
- 5 Si desea escuchar una estación que tiene un número predefinido asignado, presione el botón de estación predefinida en la unidad para automóvil o en el control remoto.

Establecimiento de estaciones predefinidas

Puede asignar una estación de radio a uno de los botones predefinidos. Cuando desee escuchar la estación asignada, presione el botón predefinido para dicha estación.

Para configurar un botón predefinido:

- 1 Presione el botón **MODE** (Modo) de la unidad para automóvil o del control remoto una o más veces hasta que aparezca **TUNER** (Sintonizador) en la pantalla LCD. La estación de radio actualmente seleccionada aparece en la pantalla LCD.
- 2 Presione el botón **BD/ENT/SUB** de la unidad para automóvil o el botón **BAND/ENTER** (Banda/Ingresar) del control remoto una o más veces para seleccionar la banda de radio deseada. Puede seleccionar:
 - FM1
 - FM2
 - FM3
 - AM1
 - AM2
- 3 Sintonice otra estación. Para obtener las instrucciones para sintonizar una estación, vea "Para escuchar la radio" en la página 71.
- 4 Presione sin soltar un botón predefinido en la unidad para automóvil o en el control remoto durante más de un segundo. La estación de radio queda guardada y aparece en la pantalla LCD.

Para escuchar un CD:

- 1 Presione el botón **OPEN** (Abrir) para abrir el panel frontal.
- 2 Inserte un CD en la ranura para CD, luego cierre el panel frontal. El CD comenzará a reproducir. Puede:
 - Seleccionar una pista específica presionando el botón **◀◀** o **▶▶** de la unidad para automóvil o del control remoto para ir a la pista deseada.
 - Pausar la reproducción presionando el botón **PAU** de la unidad para automóvil o del control remoto. Para regresar a la reproducción normal, presione el botón **PAU** nuevamente.

- Repetir una pista, presione el botón **RPT** de la unidad para automóvil o del control remoto. Para desactivar el modo de repetición, presione el botón **RPT** nuevamente.
 - Escuchar los primeros segundos de cada pista en el CD presione el botón **INT** de la unidad para automóvil o del control remoto. Cuando encuentre la pista que desea, presione el botón **INT** nuevamente para desactivar la función de búsqueda y reproducir la pista.
 - Reproducir las pistas aleatoriamente (al azar), presione el botón **RDM** de la unidad para automóvil o del control remoto. Para desactivar el modo de reproducción aleatoria, presione el botón **RDM** nuevamente.
- 3 Abra el panel frontal, luego presione el botón de expulsión **▲** para expulsar el CD.

Para escuchar archivos MP3 o WMA

Para buscar un archivo MP3 o WMA por número de pista:

- 1 Conecte un dispositivo de memoria USB al puerto USB o inserte una tarjeta de memoria en la ranura para tarjeta de memoria. El dispositivo de memoria USB o la tarjeta de memoria deben contener archivos MP3 o WMA.
- 2 Presione el botón **A/PS** de la unidad para automóvil o el botón **MP3/AS/PS** del control remoto para iniciar la función de búsqueda.
- 3 Gire el mando de control del volumen de la unidad para automóvil o presione un botón **VOL** del control remoto hasta que el primer dígito del número de pista aparezca en la pantalla LCD.
- 4 Si el número de pista tiene más de un dígito, presione el botón de selección de funciones de la unidad para automóvil o el botón **SEL** del control remoto para ir al siguiente dígito del número de pista.
- 5 Gire el mando de control del volumen de la unidad para automóvil o presione un botón **VOL** del control remoto hasta que el segundo dígito del número de pista aparezca en la pantalla LCD.
- 6 Repita los pasos 4 y 5 para introducir un tercer dígito.
- 7 Presione el botón **BD/ENT/SUB** de la unidad para automóvil o el botón **BAND/ENTER** (Banda/Ingresar) del control remoto para iniciar la reproducción.
- 8 Si desea seleccionar otro archivo MP3 o WMA, presione el botón **◀◀** o **▶▶** de la unidad para automóvil o del control remoto para ir al archivo deseado.

Para buscar un archivo MP3 o WMA por nombre:

- 1 Conecte un dispositivo de memoria USB al puerto USB o inserte una tarjeta de memoria en la ranura para tarjeta de memoria. El dispositivo de memoria USB o la tarjeta de memoria deben contener archivos MP3 o WMA.
- 2 Presione el botón **A/PS** de la unidad para automóvil o el botón **MP3/AS/PS** del control remoto dos veces para iniciar la función de búsqueda.
- 3 Gire el mando de control del volumen de la unidad para automóvil o uno de los botones **VOL** del control remoto para seleccionar el primer carácter del nombre del archivo, luego presione el botón de selección de funciones de la unidad para automóvil o el botón **SEL** del control remoto para ir al siguiente carácter del nombre del archivo.
- 4 Repita el paso 3 para seleccionar el segundo carácter del nombre del archivo.
- 5 Gire el mando de control del volumen de la unidad para automóvil o uno de los botones **VOL** del control remoto para seleccionar el tercer carácter del nombre del archivo.
- 6 Presione el botón **BD/ENT/SUB** de la unidad para automóvil o el botón **BAND/ENTER** (Banda/Ingresar) del control remoto para confirmar su selección. Aparece en la pantalla LCD el primer archivo MP3 o WMA del dispositivo de memoria USB o de la tarjeta de memoria cuyo nombre coincide con los tres caracteres que usted introdujo.
- 7 Si su unidad para automóvil encontró más de una coincidencia, gire el control de volumen de la unidad para automóvil o presione un botón **VOL** del control remoto hasta que aparezca el archivo deseado.
- 8 Presione el botón **BD/ENT/SUB** de la unidad para automóvil o el botón **BAND/ENTER** (Banda/Ingresar) del control remoto para iniciar la reproducción.
- 9 Si desea seleccionar otro archivo MP3 o WMA, presione el botón **◀◀** o **▶▶** de la unidad para automóvil o del control remoto para ir al archivo deseado.

Para buscar una carpeta que contiene archivos MP3 o WMA:

- 1 Conecte un dispositivo de memoria USB al puerto USB o inserte una tarjeta de memoria en la ranura para tarjeta de memoria. El dispositivo de memoria USB o la tarjeta de memoria deben contener archivos MP3 o WMA.
- 2 Presione el botón **A/PS** de la unidad para automóvil o el botón **MP3/AS/PS** del control remoto tres veces para iniciar la función de búsqueda.
- 3 Gire el mando de control del volumen de la unidad para automóvil o presione un botón **VOL** del control remoto para seleccionar la carpeta deseada.

- 4 Presione el botón **BD/ENT/SUB** de la unidad para automóvil o el botón **BAND/ENTER** (Banda/Ingresar) del control remoto para iniciar la reproducción.
- 5 Si desea seleccionar otro archivo MP3 o WMA, presione el botón **◀◀** o **▶▶** de la unidad para automóvil o del control remoto para ir al archivo deseado.
- 6 Si desea seleccionar otra carpeta de archivos MP3 o WMA, presione el botón **D-DN** de la unidad para automóvil o del control remoto para ir a la siguiente carpeta o presione el botón **D-UP** de la unidad para automóvil o del control remoto para ir a la carpeta anterior.

Cómo grabar desde la unidad para automóvil

Para grabar desde un CD:

- 1 Conecte un dispositivo de memoria USB al puerto USB o inserte una tarjeta de memoria en la ranura para tarjeta de memoria.
- 2 Seleccione la canción que desea grabar.
- 3 Presione el botón **SCN/REC** de la unidad para automóvil o el botón **SCAN/REC** del control remoto durante más de dos segundos.
- 4 Presione y suelte el botón **SCN/REC** o **SCAN/REC** una o más veces para seleccionar el dispositivo de memoria USB o la tarjeta de memoria a la cual desea grabar y para seleccionar cuántas pistas desea grabar. Puede seleccionar:
 - MMC ALL (MMC TODOS) – Graba todas las canciones del CD a una tarjeta de memoria
 - MMC ONE (MMC UNO) – Graba la canción actualmente seleccionada a una tarjeta de memoria.
 - USB ALL (USB TODOS) – Graba todas las canciones del CD a un dispositivo de memoria USB.
 - USB ONE (USB UNO) – Graba la canción actualmente seleccionada a un dispositivo de memoria USB.
- 5 Presione el botón **BD/ENT/SUB** de la unidad para automóvil o el botón **BAND/ENTER** (Banda/Ingresar) del control remoto para iniciar la grabación.
- 6 Presione el botón **ENT** de nuevo para detener la grabación.

Grabación desde la radio

Para grabar desde la radio:

- 1 Conecte un dispositivo de memoria USB al puerto USB o inserte una tarjeta de memoria en la ranura para tarjeta de memoria.
- 2 Sintonice la emisora de radio que desea grabar.
- 3 Presione el botón **SCN/REC** de la unidad para automóvil o el botón **SCAN/REC** del control remoto durante más de dos segundos.
- 4 Presione y suelte el botón **SCN/REC** o **SCAN/REC** una o más veces para seleccionar el dispositivo al cual desea grabar. Puede seleccionar:

- SD/MCC – Graba a una tarjeta de memoria.
 - USB – Graba a un dispositivo de memoria USB.
- 5 Presione el botón **BD/ENT/SUB** de la unidad para automóvil o el botón **BAND/ENTER** (Banda/Ingresar) del control remoto para iniciar la grabación.
 - 6 Presione el botón **BD/ENT/SUB** o **BAND/ENTER** para detener la grabación.

Eliminación de archivos grabados

Para borrar archivos grabados en una tarjeta de memoria o en un dispositivo de memoria USB:

- 1 Conecte un dispositivo de memoria USB al puerto USB o inserte una tarjeta de memoria en la ranura para tarjeta de memoria.
- 2 Seleccione y reproduzca el archivo que desea eliminar.
- 3 Presione el botón **SCN/REC** de la unidad para automóvil o el botón **SCAN/REC** del control remoto durante más de dos segundos. **DELETE** (Eliminar) aparece en la pantalla LCD.
- 4 Presione el botón **BD/ENT/SUB** de la unidad para automóvil o el botón **BAND/ENTER** (Banda/Ingresar) del control remoto para confirmar la eliminación.

Especificaciones

Las especificaciones y el diseño están sujetos a cambio sin aviso previo.

Unidad para automóvil

Relación de señal a ruido	> 60 dB
Separación de canales	> 50 dB (1 kHz)
Respuesta en frecuencia	20 Hz – 20 kHz

Sintonizador de FM

Rango de frecuencia	87.5 – 107.9 MHz
Paso de canal	200 z
Frecuencia intermedia	10.7
Sensibilidad	5 μ V
Separación estéreo	25 dB
Relación de señal a ruido	50 dB

Sintonizador de AM

Rango de frecuencia	530 – 1710 KHz
Frecuencia intermedia	450 KHz
Sensibilidad utilizable	32 dB μ V

Salida de línea

Salida	5 V (máx.)
Impedancia	10 kOhmios

Generales

Fuente de alimentación	13.8 V CC (10.8 ~ 15.6 V permitidos)
Impedancia de altavoz	4 u 8 Ohmios
Potencia de salida	40 W \times 4 Canales

Solución de problemas

La unidad no puede leer algunos dispositivos de memoria USB

- Su unidad para automóvil no es 100% compatible con todos los dispositivos de memoria USB.
- El dispositivo de memoria USB puede tener un formato especial. Intente formatear el dispositivo de memoria USB en el estándar FAT 16 o FAT 32.

La unidad no puede reproducir algunas canciones descargadas desde la Internet

- Usted no puede reproducir canciones descargadas desde iTunes porque éstas están protegidas por esquemas DRM (Digital Rights Management [Administración de derechos digitales]).

La unidad para automóvil requiere aproximadamente 60 segundos para reconocer un dispositivo de memoria USB.

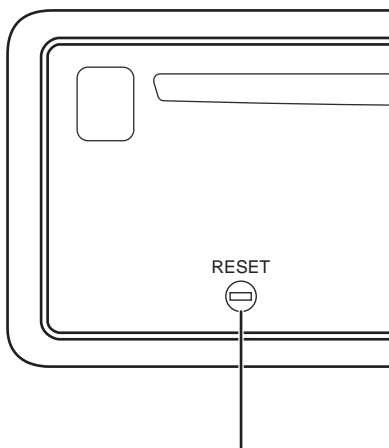
- Su unidad para automóvil debe escanear los archivos almacenados en el dispositivo de memoria USB. Este proceso puede durar varios segundos.

La pantalla LCD no muestra los títulos de las canciones MP3 correctamente.

- Los títulos de canciones en idiomas extranjeros pueden mostrarse incorrectamente.
- La etiqueta ID para el archivo MP3 quizás no está en el formato de etiquetas ID3.

La unidad para automóvil no se enciende o no hay sonido.

- Presione el botón **RESET** (Restablecer) situado debajo del panel frontal.



Botón RESET (restablecer)

- Asegúrese de que la conexión de cableado esté conectada correctamente.
- Revise el fusible. Si el fusible está fundido, reemplácelo. Si se funde nuevamente, comuníquese con el personal de servicio calificado.

No hay salida de sonido cuando la unidad para automóvil funciona con amplificadores.

- Los amplificadores quizás requieren excesiva corriente.

No hay salida de sonido cuando la antena de potencia está acoplada

- El cable de la antena de potencia tiene cortocircuito a tierra.
- La antena de potencia quizás requiere excesiva corriente.

Un botón no responde, o la pantalla LCD muestra información incorrecta

- Presione y mantenga presionado durante dos segundos el botón **RESET** (Restablecer) situado bajo el panel frontal.
- Los pines del conector en el panel frontal pueden estar sucios. Use un paño suave para limpiar los pines.
- Si el problema persiste, comuníquese con el personal de servicio calificado.

La unidad para automóvil capta ruido del “motor”

- Asegúrese de que el cable de tierra no esté cortocircuitado.

El botón de apagado emite un pitido

Para desactivar el pitido, presione y mantenga presionado el mando de control del volumen para abrir el modo de configuración, luego desactive el sonido. Gire el mando de control del volumen hasta que aparezca **BEEP** (Pitido) en la pantalla, luego gire el control del volumen para seleccionar **OFF** (Desactivado).

Los números predefinidos de estación se pierden después de cambiar las pilas o cuando las pilas están agotadas.

- Cuando usted cambia las pilas o cuando las pilas están agotadas, se pierden todos los parámetros predefinidos. Usted necesitará programar sus parámetros predefinidos.

La unidad para automóvil se apaga inmediatamente después que se enciende.

- Las pilas pueden estar bajas. Cambie las baterías.
- Si el problema persiste después de cambiar las pilas, comuníquese con el personal de servicio calificado.

Mantenimiento

Si el fusible se funde, revise la conexión de alimentación y reemplace el fusible. Si el fusible se funde nuevamente, comuníquese con el personal de servicio calificado.

Cuidado



Asegúrese de usar un fusible con un amperaje de 10 A. Si usa un fusible con un amperaje mayor, puede dañar su unidad para automóvil.

Avisos legales

Declaración de Cumplimiento con FCC

Este dispositivo satisface la parte 15 del reglamento FCC. Su operación está sujeta a las dos condiciones siguientes:

- Este dispositivo no puede causar interferencia dañina, y
- Este dispositivo debe aceptar cualquier interferencia recibida, incluyendo interferencias que puedan causar una operación no deseada.

Declaración de Advertencia de FCC

Advertencia



Radiación láser visible e invisible de clase 3B expuesta cuando la unidad se encuentra abierta.

Evite la exposición directa al rayo. Este equipo ha sido sometido a pruebas y se ha determinado que satisface los límites establecidos para clasificarlo como dispositivo digital de Clase B de acuerdo con la Parte 15 del reglamento FCC. Estos límites se han establecido para proporcionar una protección razonable contra interferencias perjudiciales en una instalación residencial. Este equipo genera, utiliza y puede irradiar energía de radiofrecuencia y, si no es instalado y utilizado acuerdo a las instrucciones, puede causar interferencias perjudiciales en las comunicaciones de radio. Sin embargo, interferencia en la recepción de la señal de televisión puede comprobarse encendiéndolo y apagándolo alternativamente.

Se recomienda al usuario corregir la interferencia por uno de los siguientes procedimientos:

- Cambiar la orientación o la ubicación de la antena receptora
- Aumentar la distancia entre el equipo y el receptor
- Conectar el equipo a una toma de corriente de un circuito distinto de aquel al que esta conectado el receptor
- Solicite consejo al distribuidor o a un técnico experto en radio/TV para obtener ayuda.



Cualquier cambio o modificación que no este aprobada expresamente por la parte responsable por el cumplimiento puede anular la autoridad del usuario para operar el equipo.

Para Europa



La unidad de disco cumple con las directivas CEM y de bajo voltaje.

Garantie Limitada

Insignia Products le garantiza a usted, el comprador original de este producto, estará libre de defectos de material y mano de obra durante un periodo de noventa (90) días a partir de la fecha de compra, según como se establece a continuación:

- 1 MANO DE OBRA:** Durante el Periodo de Garantía, si se encuentra que este producto esta defectuoso, Insignia reparará o reemplazará el Producto, a su discreción sin costo alguno, o pagará los cargos de reparación a un centro autorizado de servicio de Insignia. Después del período de garantía, usted deberá cubrir todos los gastos de mano de obra.
- 2 REPUESTOS:** Además, Insignia proveerá, sin costo alguno, repuestos ya sean nuevos o como nuevos como reemplazo de los componentes que se encuentren defectuosos durante el Período de Garantía. Después del período de garantía, usted deberá cubrir todos los gastos ocasionados por los repuestos.

Para obtener servicio de garantía, usted deberá llevar el Producto con su recibo original u otra prueba de compra, ya sea en su empaque original o en un empaque que proporcione el mismo grado de protección, al centro de ventas más cercano de la tienda o sitio de web dónde usted compró el Producto. Esta garantía no abarca daños cosméticos, o daños por fuerzas de la naturaleza, rayos, accidentes, uso indebido, abuso, negligencia, uso comercial o modificación de alguna parte del Producto, incluyendo la antena. Esta garantía no abarca daño debido a operación o mantenimiento inadecuado, conexión a una fuente de voltaje inadecuada, o el intento de reparación por parte de cualquier persona excepto un representante

autorizado por Insignia para llevar a cabo dicha reparación del Producto. Esta garantía no abarca Productos vendidos que no mantengan las condiciones originales o con falla, o consumibles (tales como fusibles o baterías.) Esta garantía es válida únicamente en Los Estados Unidos de América y Canadá. Esta garantía será anulada si el número de serie aplicado en la fábrica ha sido alterado o removido del Producto. REEMPLAZO O REPARACIÓN PROVEÍDOS MEDIANTE ESTA GARANTÍA SON LA ÚNICA SOLUCIÓN OFRECIDA AL CLIENTE. INSIGNIA NO SERÁ RESPONSABLE POR DAÑOS INCIDENTALES O DIRECTOS CAUSADOS POR LA VIOLACIÓN DE CUALQUIER GARANTÍA EXPRESA O IMPLÍCITA PARA CON ESTE PRODUCTO. CON EXCEPCIÓN DEL ALCANCE PERMITIDO POR LA LEY, CUALQUIER GARANTÍA IMPLÍCITA O CONDICIÓN DE COMERCIALIZACIÓN O ADECUACIÓN PARA UN FIN DETERMINADO ESTÁ LIMITADO POR LA DURACIÓN DE LA GARANTÍA. Algunos estados o provincias no permiten la exclusión o límite de daños incidentales o directos, o no permiten límite en la vigencia de la garantía implicada, así que en este caso los límites o exclusiones anteriores no son aplicables al cliente. Esta garantía le da derechos legales específicos, y usted puede poseer otros derechos que varían de estado a estado, o provincia a provincia. Para servicio al cliente favor llamar al 1-877-467-4289 www.insignia-products.com Insignia Products, Richfield, Minnesota, U.S.A.

INSIGNIA™

Distributed by Insignia™ Products
Distribué par Insignia™ Products
Distribuido por Insignia™ Products

7601 Penn Avenue South, Richfield, MN USA 55423-3645
www.Insignia-Products.com

© 2006 Insignia™ Products. All rights reserved. All other products and brand names are trademarks of their respective owners.

© 2006 produits Insignia™. Tous droits réservés. Tous les autres produits ou noms de marques sont des marques de commerce qui appartiennent à leurs propriétaires respectifs.

© 2006 productos Insignia™. Todos los derechos reservados. Todos los demás productos y marcas son marcas comerciales de sus respectivos dueños.

Free Manuals Download Website

<http://myh66.com>

<http://usermanuals.us>

<http://www.somanuals.com>

<http://www.4manuals.cc>

<http://www.manual-lib.com>

<http://www.404manual.com>

<http://www.luxmanual.com>

<http://aubethermostatmanual.com>

Golf course search by state

<http://golfingnear.com>

Email search by domain

<http://emailbydomain.com>

Auto manuals search

<http://auto.somanuals.com>

TV manuals search

<http://tv.somanuals.com>