

User Guide | Guide de l'utilisateur | Guía del Usuario



CD Car Deck with HD Radio Receiver  
Système audio pour l'auto avec lecteur CD et récepteur HD Radio  
Unidad de CD para automóvil con receptor HD Radio

**NS-C5112**

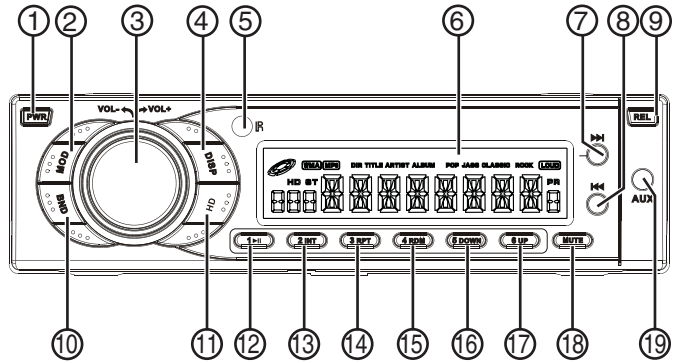


# Insignia NS-C5112 CD Car Deck with HD Radio Receiver

- Do not use your car deck in extremely high or low temperatures. Make sure that the temperature inside the vehicle is between 140°F and 14°F (+60°C and -10°C) before turning on your car deck.

## Features

### Front panel



#	Component	Description
1	PWR	Press to turn your car deck on or off. Press and hold to show the current volume level.
2	MOD	Press to select the audio mode. You can select radio mode, CD playback mode, or AUX (external input source) mode.
3	VOL-/VOL+/SEL	Turn to adjust the volume. Briefly press one or more times to select the sound option you want to adjust, then turn the button to adjust the option. Press and hold to turn the clock or alarm on or off.
4	DISP	Press to display the time. Press and hold to adjust the time. When playing an MP3 file, press to display information about the MP3 file.
5	Remote control sensor	Receives signals from the remote control. Do not block.
6	LCD	Displays current status information.
7	▶▶	In radio mode, press to select the next higher station. Press and hold to manually select a station. In CD playback mode, press to select the next higher track. Press and hold to fast-forward on a CD.
8	◀◀	In radio mode, press to select the next lower station. Press and hold to manually select a station. In CD playback mode, press to select the next lower track. Press and hold to fast-reverse on a CD.

## Contents

Welcome .....	1
Safety information .....	1
Features .....	1
Installing your car deck .....	3
Using your car deck .....	6
Using the radio .....	7
Using the CD player .....	7
Troubleshooting .....	8
Maintaining .....	8
Specifications .....	10
Legal notices .....	10
90-Day Limited Warranty .....	11
<b>Français</b> .....	<b>13</b>
<b>Español</b> .....	<b>27</b>

## Welcome

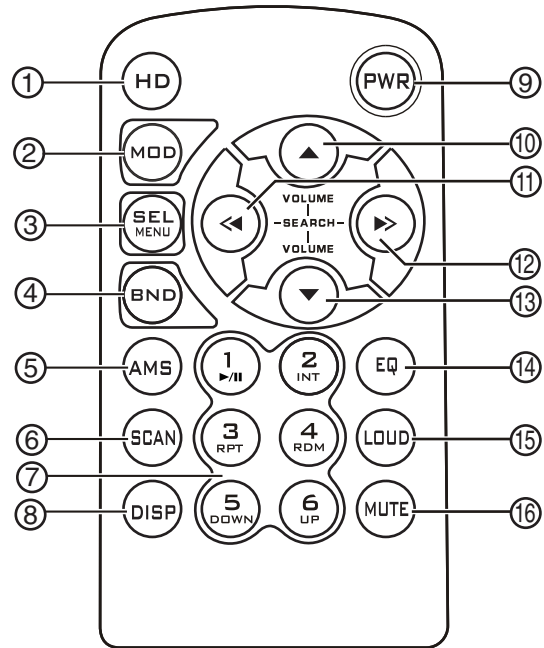
Congratulations on your purchase of a high-quality Insignia product. Your NS-C5112 represents the state of the art in CD player and HD radio design and is designed for reliable and trouble-free performance.

## Safety information

- Make sure that you connect the color coded leads according to the diagram. Incorrect connections can cause your car deck to malfunction or damage the vehicle's electrical system.
- Make sure that you connect the speaker (-) leads to the speaker (-) terminal. Never connect the left and right channel speaker cables to each other or to the vehicle body.
- Make sure that all the connections are completed correctly before turning on your car deck.
- When replacing the fuse(s), the replacement fuse(s) must be of the same amperage as shown on the fuse holder.
- Do not block vents or radiator panels. Blocking them can cause heat build-up inside that may result in fire.
- After you complete the installation and before you use your car deck or when you replace the vehicle battery, remove your car deck's front panel, then press the **RESET** button (on the base) with a pointed object (such as ball-point pen) to return your car deck to it's default settings.
- Do not attempt to modify your car deck. Modifying it could cause a fire.
- Stop the vehicle before carrying out any operation that could interfere with your driving.

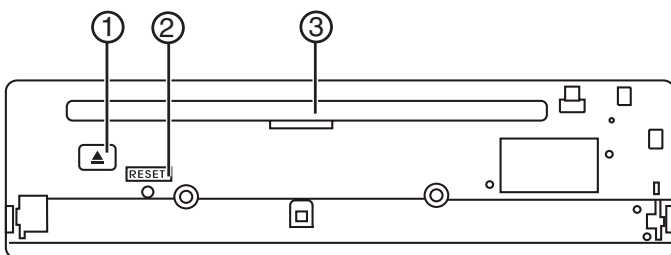
#	Component	Description
9	REL	Press to release the front panel.
10	BND	In radio mode, press one or more times to select a radio band.
11	HD	Press to turn digital stations on or off. When <b>HD-S ON</b> appears on the LCD and you search for a station, your car deck searches through digital stations. When <b>HD-S OFF</b> appears and you search for a station, your car deck searches through regular stations.
12	1 ►	In radio mode, press to select stored station 1. In CD playback mode, press to start or pause playback.
13	2 INT	In radio mode, press to select stored station 2. In CD playback mode, press to play the first 10 seconds of each track on the CD.
14	3 RPT	In radio mode, press to select stored station 3. In CD playback mode, press to repeat the current track. Press and hold to repeat the current CD or MP3 folder.
15	4 RDM	In radio mode, press to select stored station 4. In CD playback mode, press to start or stop random playback.
16	5 DOWN	Press to select options or MP3 files.
17	6 UP	Press to select options or MP3 files.
18	MUTE	Press to mute the sound. Press again to restore the sound.
19	AUX	Use to connect an external input source.

## Remote control



#	Button	Description
1	HD	Press to turn digital stations on or off. When <b>HD-S ON</b> appears on the LCD and you search for a station, your car deck searches through digital stations. When <b>HD-S OFF</b> appears and you search for a station, your car deck searches through regular stations.
2	MOD	Press to select the audio mode. You can select radio mode, CD playback mode, or AUX (external input source) mode.
3	SEL/MENU	Briefly press one or more times to select the sound option you want to adjust, then press ▲ or ▼ to adjust the option. Press and hold to turn the clock or alarm on or off.
4	BND	In radio mode, press to select the radio band.
5	AMS	In radio mode, press to scan each stored station for five seconds. When you hear a station you want to play, press this button again. When you are tuned to a station you want to store, press and hold to store the station. Your car deck automatically assigns the station to a button (1 through 6).
6	SCAN	Press to scan for the next station with a clear signal.

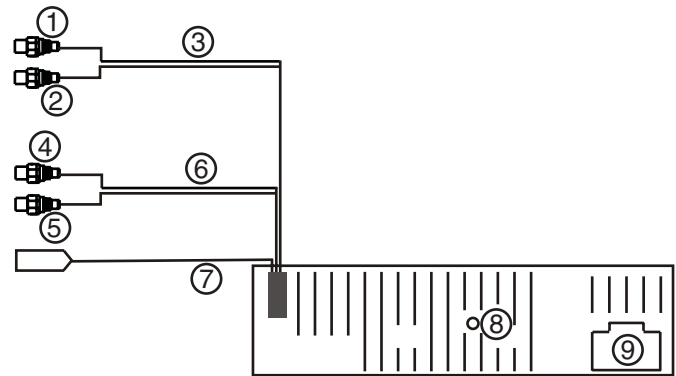
## Inside (front panel open)



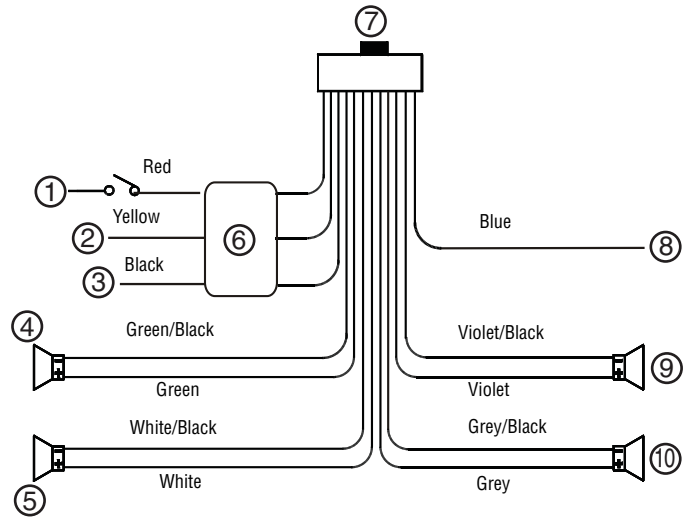
#	Component	Description
1	▲	Press to eject a CD.
2	RESET	Press to reset your car deck to the factory defaults.
3	CD slot	Insert a CD into this slot.

# Installing your car deck

## Wiring connections



1	Left (white)
2	Right (red)
3	Front RCA (dark grey)
4	Left (white)
5	Right (red)
6	Rear RCA (light grey)
7	Antenna Receptacle
8	Screw holes
9	Output socket

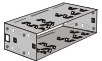
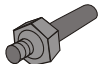


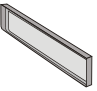
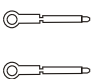
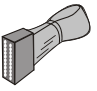
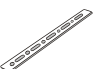


1	Ignition key
2	Memory back-up 12 V
3	Negative ground
4	Rear left speaker
5	Front left speaker
6	Choke box
7	Output plug
8	To power antenna
9	Rear right speaker
10	Front right speaker

#	Button	Description
7	Numbers	In radio mode, press a number to tune to a stored station. In CD mode: 1- Press to start or pause playback. 2- Press to play the first 10 seconds of each track on the CD. 3-Press to repeat the current track. Press and hold to repeat the current CD or MP3 folder. 4-Press to start or stop random playback. 5-Press to select options or MP3 files. 6-Press to select options or MP3 files.
8	DISP	Press to display the time. Press and hold to adjust the time. When playing an MP3 file, press to display MP3 file information.
9	PWR	Press to turn your car deck on or off. Press and hold to show the current volume level.
10	▲	Press to increase the volume.
11	◀◀	In radio mode, press to select the next lower station. Press and hold to manually select a station. In CD playback mode, press to select the next lower track. Press and hold to fast-reverse on a CD.
12	▶▶	In radio mode, press to select the next higher station. Press and hold to manually select a station. In CD playback mode, press to select the next higher track. Press and hold to fast-forward on a CD.
13	▼	Press to decrease the volume.
14	EQ	Press to select an equalizer mode. You can select POP, JAZZ, CLASSIC, NOR (normal), or ROCK.
15	LOUD	Press to turn the loud function on or off. When this function is turned on, the lower audio (bass) is increased. This lets you hear the bass without increasing the volume.
16	MUTE	Press to mute the sound. Press again to restore the sound.

## Parts

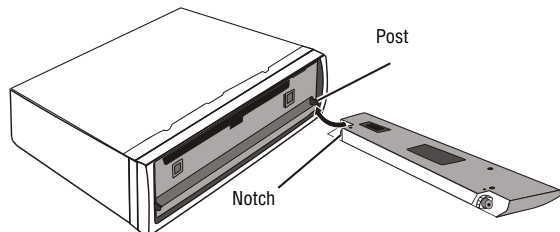
Make sure that you have the following parts:

Part	Description
	Mounting sleeve (1)
	Rear mounting bolt (1)
	Harness rubber (1)
	Screws (M5 × 5)
	Outer trim (1)
	Keys (2)
	Connecting wire (1)
	Steel bar (1)

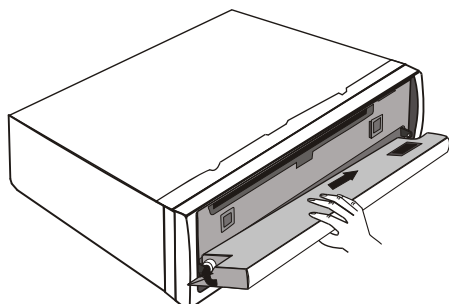
## Installing the front panel

**To install the front panel:**

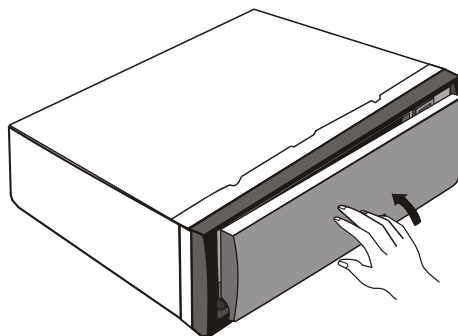
- 1 Align the notch on the front panel with the post on the right side of your car deck, then push the panel in slightly.



- 2 Slide the panel slightly to the right.



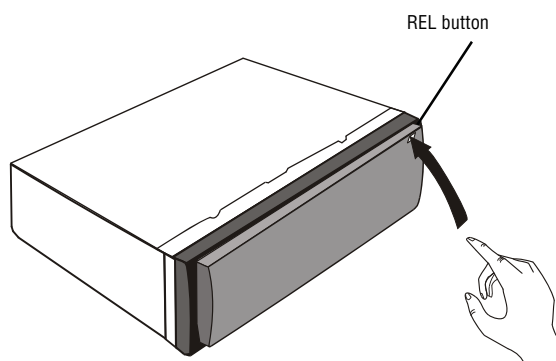
- 3 Swing the panel up until it snaps into place.



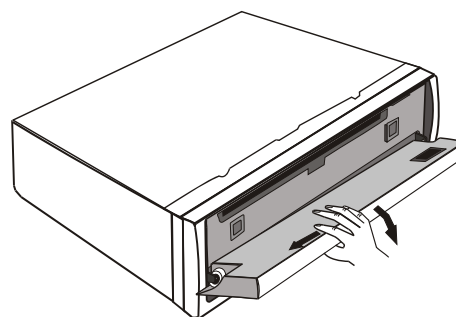
## Removing the front panel

**To remove the front panel:**

- 1 Push the REL button to release the front panel.



- 2 Pull the front panel toward you until it is at a 45° angle, then slide it to the left to remove it.



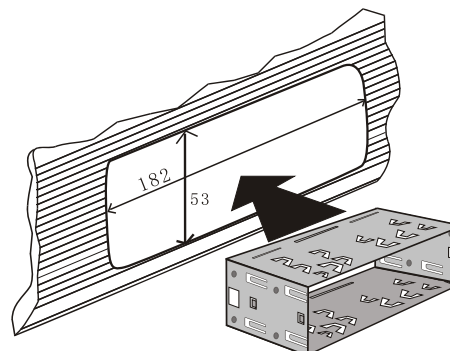
## Installing your car deck

There are two methods for installing your car deck into the vehicle's dash.

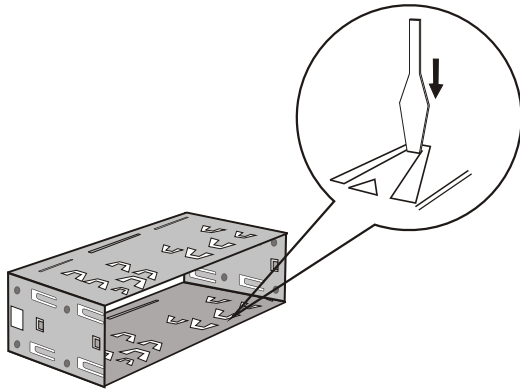
### DIN front-mount

**To install using the DIN front-mount method:**

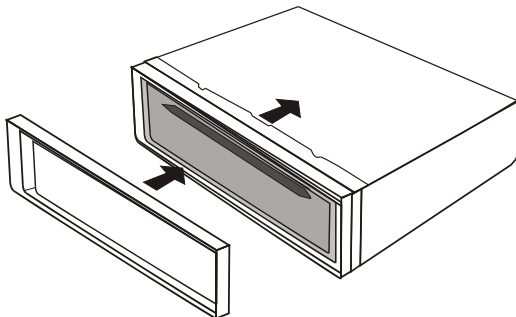
- 1 Slide the mounting sleeve into the opening in the vehicle's dash.



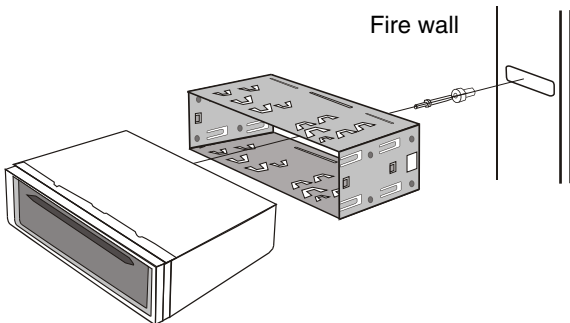
- 2 If necessary, bend the mounting claws out to ensure a tight fit.



- 3 Install the outer trim.

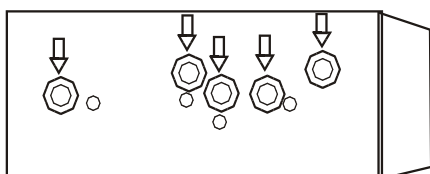


- 4 Slide your car deck into the mounting sleeve.



**Side screw mounting**

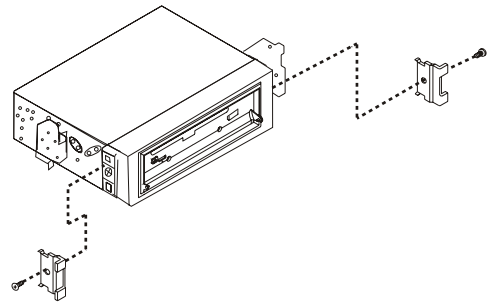
The following graphic shows the screw hole locations on the side of your card deck.



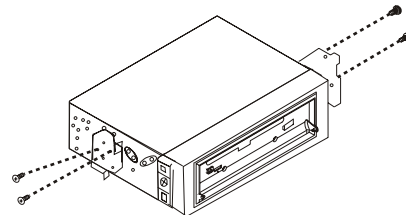
**To install using the side screw mounting method:**

- 1 Remove the hooks from both sides of your car deck.

- 2 Remove the brackets from your car deck.



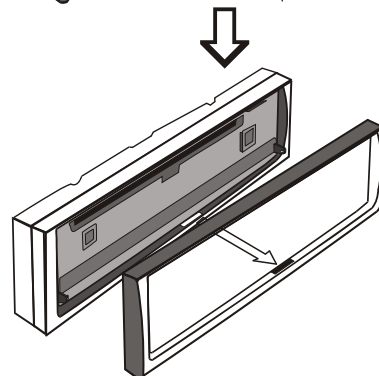
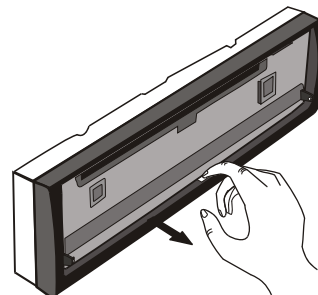
- 3 Align the screw holes on the sides of your car deck with the screw holes in the vehicle's mounting bracket, then tighten the screws.



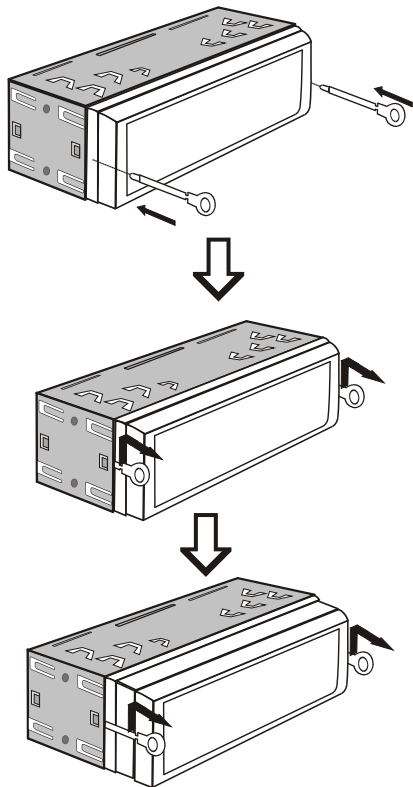
**Removing your car deck**

**To remove your car deck:**

- 1 Remove the front panel. For more information, see "Removing the front panel" on page 4.
- 2 Remove the outer trim.



- 3 Insert the supplied keys into the openings on both sides of your car deck, then pull the keys forward to remove your car deck from the vehicle's dash.



- 2 Press ▼ or ▲ on the remote control or rotate the volume button on your car deck to adjust the option.

**Note**

If you do not adjust the setting within five seconds of selecting the setting, your car deck automatically returns to the current mode.

## Selecting the equalizer mode

**Note**

You can only select an equalizer mode with the remote control.

**To select the equalizer mode:**

- Press **EQ** one or more times to select the equalizer mode you want. You can select **POP**, **JAZZ**, **CLASSIC**, **NOR** (normal), or **ROCK**.

## Turning the loudness function on or off

When the loudness function is turned on, the lower audio (bass) is increased. This lets you hear the bass without increasing the volume.

**Note**

You can only turn the loudness function off and on with the remote control.

**To turn the loudness function on or off:**

- Press **LOUD**.

## Turning the clock or alarm on or off

**To turn the clock or alarm on or off with the remote:**

- 1 Press and hold **SEL/MENU** for two seconds to open the clock/alarm display, then press **SEL/MENU** one or more times to select **CLOCK ON** or **BEEP ON**.
- 2 Press ▲ to select **ON** or ▼ to select **OFF**.

## Displaying the time

**To display and adjust the time:**

- Press **DISP**. The time appears. Press this button again to close the display.

## Adjusting the time

**To adjust the time:**

- 1 Press and hold **DISP** until the two dots (:) in the middle of the time display begin to blink.
- 2 Press ◀ on the remote control or ◀◀ on your car deck to adjust the hours.
- 3 Press ▶ on the remote control or ▶▶ on your car deck to adjust the minutes.

## Selecting the audio mode

**To select the audio mode:**

- Press **MOD** to select **RADIO**, **CD**, or **AUX**.

## Using your car deck

### Turning your car deck on or off

**To turn your car deck on or off:**

- Briefly press **PWR** to turn.

### Adjusting the volume

**To adjust the volume:**

- Press ▼ or ▲ on the remote control or press **VOL-** or **VOL+** on your car deck to decrease or increase the volume.

**Note**

You can press and hold **PWR** to display the current volume level.

- Press **MUTE** to mute the sound. Press **MUTE** again to restore the sound.

### Adjusting sound settings

**To adjust sound settings:**

- 1 Press **SEL** one or more times to select the sound setting you want to adjust. You can select:
  - **VOL-** Adjusts the volume.
  - **BAS-** Adjusts the bass.
  - **TRE-** Adjusts the treble.
  - **FAD-** Adjust the balance between the front and rear speakers.
  - **BAL-** Adjusts the balance between speakers.



## Resetting your car deck

You need to reset your car deck when:

- You first install it.
- You replace the vehicle's battery.
- You see errors on the LCD.

**Note**

When you reset your car deck, the clock setting and other memorized functions are erased.

**To reset your car deck:**

- Open the front panel, then press **RESET**.

## Using the radio

### Selecting the radio band

**To select the radio band:**

- 1 Make sure that you are in radio mode.
- 2 Press **BND** one or more times to select the radio band. You can select **F1**, **F2**, **F3**, **A1**, or **A2**. **F1** through **F3** are FM bands. **A1** and **A2** are AM bands

### Automatically tuning a radio station

**To automatically tune a radio station:**

- 1 Make sure that you are in radio mode.
- 2 Briefly press **<<** or **>>** on the remote control or **◀** or **▶** on your car deck. **AUTO** appears on the LCD, and your car deck scans for the next station with a signal.

### Manually tuning a radio station

**To manually tune a radio station:**

- 1 Make sure that you are in radio mode.
- 2 Press and hold **<<** or **>>** on the remote control or **◀** or **▶** on your car deck. **MANUAL** appears on the LCD.
- 3 Briefly press and release **<<** or **>>** on the remote control or **◀** or **▶** on your car deck one or more times to tune to the station you want.

### Automatically scanning for stations

**Note**

You can only scan for stations with the remote control.

**To automatically scan for stations:**

- 1 Press **SCAN**. Your car deck scans for a station with a signal, then plays five seconds of the station before it goes to the next station.
- 2 When you hear the station you want to play, press **SCAN** again.

### Storing stations

You can store as many as six stations per radio band.

**To memorize stations:**

- 1 Make sure that you are in radio mode.
- 2 Select the radio band that has the station you want to store.

- 3 Tune to the station you want to store.

- 4 Press **AMS** on the remote control or a preset number button (1 through 6) on your car deck for more than three seconds. The station is stored in memory.

### Scanning stored stations

You can scan stored stations. Your car deck plays five seconds of each stored station before going to the next stored station.

**Note**

You can only scan for stored stations with the remote control.

**To scan stored stations:**

- 1 Make sure that you are in radio mode.
- 2 Select the radio band that has the stored stations you want to scan.
- 3 Press **AMS** on the remote control to start the scan. Your car deck plays five seconds of each stored station before going to the next stored station.
- 4 When you hear the station you want to play, press **AMS** again.

### Turning digital (HD) stations on or off

**To turn digital (HD) stations on or off:**

- 1 Make sure that you are in radio mode.
- 2 Press and hold **HD** until the LCD displays **HD-S ON** or **HD-S OFF**.

When **HD-S ON** is displayed on the LCD, tuning and scanning for stations occurs on the digital band.

## Using the CD player

### Playable discs

Your car deck can play the following discs:

Disc type	Label	Format	Size
CD		Audio	12 cm
MP3		Audio	12 cm

### Playing a CD

**To play a CD:**

- 1 Make sure that you are in CD playback mode.
- 2 Press **REL** on your car deck to open the front panel.
- 3 Insert a CD with the label side up onto the CD slot. The CD starts playing automatically.

## Controlling CD playback

### To control CD playback:

- To pause playback, press **▶||**. To resume playback, press this button again.
- To replay the current track, press **<<** on the remote control or **⏮** on your car deck.
- To replay the previous track, press **<<** on the remote control or **⏮** on your car deck twice.
- To play the next track, press **>>** on the remote control or **⏭** on your car deck.
- To fast-reverse, press and hold **<<** on the remote control or **⏮** on your car deck. Release the button when you reach the track you want to play.
- To fast-forward, press and hold **>>** on the remote control or **⏭** on your car deck. Release the button when you reach the track you want to play.
- To scan for a track, press **INT**. Your car deck plays the first 10 seconds of each track. When you hear the track you want to play, press this button again.
- To play the same track repeatedly, press **RPT**. To stop repeat play, press this button again.
- To play tracks in random order, press **RDM**. To resume normal playback, press this button again.

## Selecting an MP3 file

If the CD your are playing has multiple MP3 files, you can select the file you want to play.

### To select an MP3 file:

- While the CD is playing, press **▼** or **▲** on the remote control or **UP** or **DOWN** on your car deck to select the file you want to play.

## Displaying MP3 information

### To display MP3 information:

- While the CD is playing, press **DISP** one or more times to display the current time, track name, directory name, and ID3 information.

## Ejecting a CD

### To eject a CD:

- 1 Press **REL** on your car deck to open the front panel.
- 2 Press **▲** to eject the CD.

## Troubleshooting

Problem	Solution
No power.	Check the fuse. If the fuse has blown, replace the fuse with a fuse of the same amperage.
The LCD displays incorrect information or does not display any information.	Remove the front panel, then press the <b>RESET</b> button.
Cannot play radio stations	Make sure that the vehicle's antenna is connected correctly and securely. Make sure that you are in radio mode.
Radio station reception is poor.	Make sure that the vehicle's antenna is fully extended. If the antenna is broken, replace it. Make sure that the vehicle's antenna is correctly grounded.
Cannot insert a CD.	Make sure that a CD is not already in the CD player.
Sound skips.	The CD is dirty or damaged.

### Note

If the preceding solutions do not solve the problem, contact authorized service personnel. Do not try to repair your car deck yourself.

## Maintaining

### Replacing the fuse

Make sure that the replacement fuse is of the same amperage as the original fuse. If you replace a fuse and the replacement fuse blows, contact authorized service personnel.

### Caution

Never use a fuse with a amperage that is greater than the original fuse, or you may damage your car deck.

### Cleaning the connector

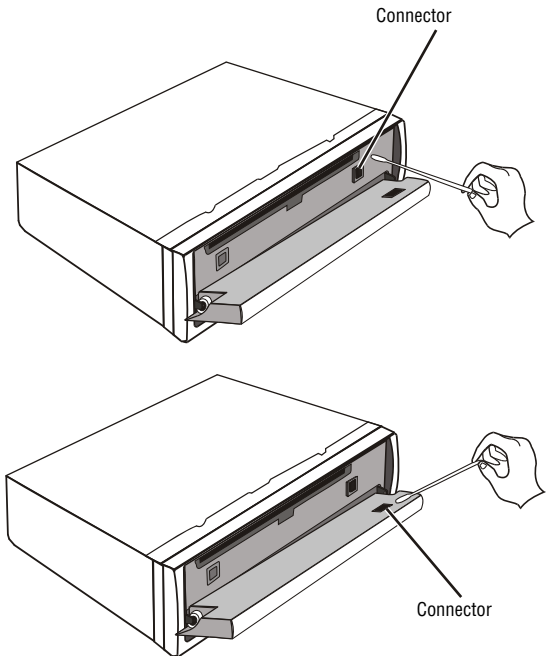
If the connector between your car deck and the front panel gets dirty, your car deck may operate erratically or not at all.

### To clean the connector:

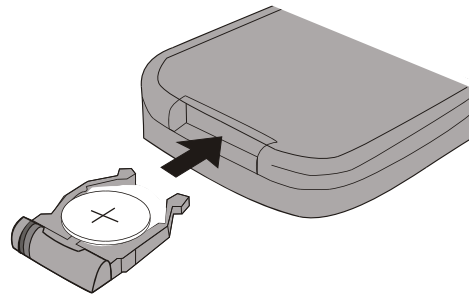
- 1 Turn off the vehicle and remove the key from the ignition.
- 2 Remove the front panel. For more information, see "Removing the front panel" on page 4.

- 3 Use an alcohol swab to gently clean the connector on your car deck and the front panel. Be careful not to damage the connector.

**Caution**  
Do not touch the connector with your finger or a metal object. You may damage the connector.



- 3 Slide the battery holder into the remote control.



**Battery precautions**

**Warning**

- Incorrect handling of the battery could result in an explosion.
- The battery cannot be recharged.
- Do not try to disassemble a battery.
- Do not throw the battery into a fire;

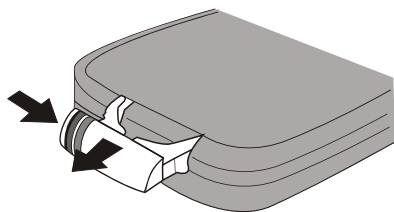
- Always keep batteries out of the reach of children. If a battery is swallowed, contact a doctor immediately.
- To ensure the best performance, clean the battery with a dry cloth before you install it.
- Make sure that the + side of the battery is facing up.
- Do not touch the battery with a metal object, such as tweezers, because you may cause an electrical short.

**Replacing the remote control battery**

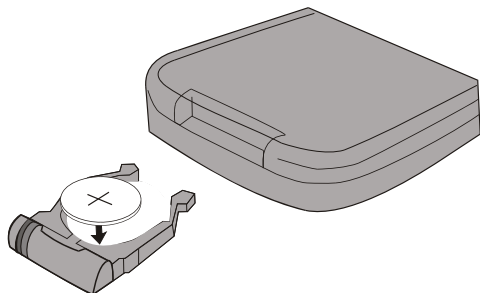
The replacement battery should be a button cell (CR2025) battery.

**To replace the remote control battery:**

- 1 While pressing the release latch, gently pull the battery holder out of the remote control.



- 2 Remove the old battery, then place the new battery into the holder with the + side facing up.



**Handling discs**

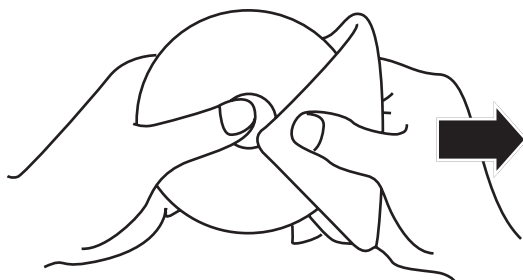
A dirty, scratched, or warped disc may cause skipping or noise.

**To care for discs:**



- Hold discs by their edges.
- Store discs in their cases when you are not using them.
- Do not expose discs to direct sunlight, high humidity, high temperature, or dust. Prolonged exposure to extreme temperatures can warp discs.
- Do not stick labels or tape on discs.

**To clean a disc:**



- With a soft cloth, wipe the disc from the center to the outer edge.

**Caution**  
Do not use detergent or abrasive cleaning agents. They will damage the disc surface.

## Specifications

Specifications are subject to change without notice.

### General

Power requirement	14.4 V DC (11-16 V allowable)
Load impedance	4Ω
Maximum power output	40 W × 4
Tone controls	± 10dB Bass 100 Hz
Dimensions (approximate)	7.56 × 7.0 × 1.97 inches (192 × 178 × 50 mm)
Mounting dimensions (approximate)	6.65 × 7.17 × 2.09 inches (169 × 182 × 53 mm)
Weight	3.86 lbs (1.75 kg)

### FM

Tuning range	87.5 to 107.9 MHz (In the United States)
IF range	10.7 MHz
Usable sensitivity	10dBuV (-30dB)
Signal-to-noise ratio	60dB
Stereo separation	30dB (1 KHz)
Frequency response	30 to 15000 Hz

### AM

Frequency range	530 to 1710 KHz (In the United States)
IF Range	450 KHz
Usable sensitivity	28dBuV (-20dB)

### CD player

Signal-to-noise ratio	65dB
Separation	60dB (1 KHz)
Distortion	0.1%

## Legal notices

### FCC Part 15

This device complies with Part 15 of the FCC Rules. Operation of this product is subject to the following two conditions: (1) this device may not cause harmful interference, and (2) this device must accept any interference received, including interference that may cause undesired operation.

This equipment has been tested and found to comply within the limits for a class B digital device, pursuant to Part 15 of the FCC Rules. These limits are designed to provide reasonable protection against harmful interference in a residential installation. This equipment generates, uses, and can radiate radio frequency energy and, if not installed and used in accordance with the instructions, may cause harmful interference to radio communications. However, there is no guarantee that interference will not occur in a particular installation. If this equipment does cause harmful interference to radio or television reception, which can be determined by turning the equipment off and on, the user is encouraged to try to correct the interference by one or more of the following measures:

- Reorient or relocate the receiving antenna.
- Increase the separation between the equipment and receiver.
- Connect the equipment into an outlet on a circuit different from that to which the receiver is connected.
- Consult the dealer or an experienced technician for help.

### FCC warning

Changes or modifications not expressly approved by the party responsible for compliance with the FCC Rules could void the user's authority to operate this equipment.

### Copyright

© 2007 Insignia. Insignia and the Insignia logo are trademarks of Best Buy Enterprise Services, Inc. Other brands and product names are trademarks or registered trademarks of their respective holders. Specifications and features are subject to change without notice or obligation. For service and support call (877) 467-4289.

## 90-Day Limited Warranty

Insignia Products ("Insignia") warrants to you, the original purchaser of this new **NS-C5112** ("Product"), that the Product shall be free of defects in the original manufacture of the material or workmanship for a period of 90 days from the date of your purchase of the Product ("Warranty Period"). This Product must be purchased from an authorized dealer of Insignia brand products and packaged with this warranty statement. This warranty does not cover refurbished Product. If you notify Insignia during the Warranty Period of a defect covered by this warranty that requires service, terms of this warranty apply.

### How long does the coverage last?

The Warranty Period lasts for 90 days from the date you purchased the Product. The purchase date is printed on the receipt you received with the Product.

### What does this warranty cover?

During the Warranty Period, if the original manufacture of the material or workmanship of the Product is determined to be defective by an authorized Insignia repair center or store personnel, Insignia will (at its sole option): (1) repair the Product with new or rebuilt parts; or (2) replace the Product at no charge with new or rebuilt comparable products or parts. Products and parts replaced under this warranty become the property of Insignia and are not returned to you. If service of Products or parts are required after the Warranty Period expires, you must pay all labor and parts charges. This warranty lasts as long as you own your Insignia Product during the Warranty Period. Warranty coverage terminates if you sell or otherwise transfer the Product.

### How to obtain warranty service?

If you purchased the Product at a retail store location, take your original receipt and the Product to the store you purchased it from. Make sure that you place the Product in its original packaging or packaging that provides the same amount of protection as the original packaging. If you purchased the Product from an online web site, mail your original receipt and the Product to the address listed on the web site. Make sure that you put the Product in its original packaging or packaging that provides the same amount of protection as the original packaging.

To obtain in-home warranty service for a television with a screen 25 inches or larger, call 1-888-BESTBUY. Call agents will diagnose and correct the issue over the phone or will have an Insignia-approved repair person dispatched to your home.

### Where is the warranty valid?

This warranty is valid only to the original purchaser of the product in the United States and Canada.

### What does the warranty not cover?

This warranty does not cover:

- Customer instruction
- Installation
- Set up adjustments
- Cosmetic damage
- Damage due to acts of God, such as lightning strikes
- Accident
- Misuse
- Abuse
- Negligence
- Commercial use
- Modification of any part of the Product, including the antenna
- Plasma display panel damaged by static (non-moving) images applied for lengthy periods (burn-in).

This warranty also does not cover:

- Damage due to incorrect operation or maintenance
- Connection to an incorrect voltage supply
- Attempted repair by anyone other than a facility authorized by Insignia to service the Product
- Products sold as is or with all faults
- Consumables, such as fuses or batteries
- Products where the factory applied serial number has been altered or removed

REPAIR REPLACEMENT AS PROVIDED UNDER THIS WARRANTY IS YOUR EXCLUSIVE REMEDY. INSIGNIA SHALL NOT BE LIABLE FOR ANY INCIDENTAL OR CONSEQUENTIAL DAMAGES FOR THE BREACH OF ANY EXPRESS OR IMPLIED WARRANTY ON THIS PRODUCT, INCLUDING, BUT NOT LIMITED TO, LOST DATA, LOSS OF USE OF YOUR PRODUCT, LOST BUSINESS OR LOST PROFITS. INSIGNIA PRODUCTS MAKES NO OTHER EXPRESS WARRANTIES WITH RESPECT TO THE PRODUCT, ALL EXPRESS AND IMPLIED WARRANTIES FOR THE PRODUCT, INCLUDING, BUT NOT LIMITED TO, ANY IMPLIED WARRANTIES OF AND CONDITIONS OF MERCHANTABILITY AND FITNESS FOR A PARTICULAR PURPOSE, ARE LIMITED IN DURATION TO THE WARRANTY PERIOD SET FORTH ABOVE AND NO WARRANTIES, WHETHER EXPRESS OR IMPLIED, WILL APPLY AFTER THE WARRANTY PERIOD. SOME STATES, PROVINCES AND JURISDICTIONS DO NOT ALLOW LIMITATIONS ON HOW LONG AN IMPLIED WARRANTY LASTS, SO THE ABOVE LIMITATION MAY NOT APPLY TO YOU. THIS WARRANTY GIVES YOU SPECIFIC LEGAL RIGHTS, AND YOU MAY ALSO HAVE OTHER RIGHTS, WHICH VARY FROM STATE TO STATE OR PROVINCE TO PROVINCE.

Contact Insignia:

For customer service please call 1-877-467-4289

[www.insignia-products.com](http://www.insignia-products.com)

INSIGNIA™ is a trademark of Best Buy Enterprise Services, Inc.

Distributed by Best Buy Purchasing, LLC.

Insignia, 7601 Penn Avenue South, Richfield, Minnesota, U.S.A.





# Système audio pour l'auto avec lecteur CD et récepteur HD Radio Insignia NS-C5112

- Ne pas essayer de modifier ce système audio pour l'auto. Cela pourrait être source d'incendie.
- Arrêter le véhicule avant d'effectuer toute opération qui pourrait interférer avec la conduite.
- Ne pas utiliser le système audio ou pour l'auto sous des températures extrêmement élevées ou basses. La température intérieure du véhicule doit s'établir entre 140 et 14 °F (+ 60 et - 10 °C) pour pouvoir utiliser le système audio pour l'auto.

## Table des matières

Bienvenue .....	13
Informations sur la sécurité .....	13
Installation du système audio pour l'auto .....	16
Utilisation du système audio pour l'auto .....	19
Utilisation de la radio .....	20
Utilisation du lecteur CD .....	20
Problèmes et solutions .....	21
Entretien .....	21
Spécifications .....	23
Avis juridiques .....	23
Garantie limitée de 90 jours .....	25

## Bienvenue

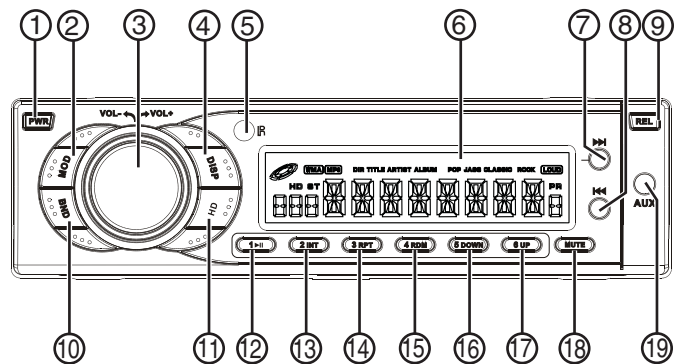
Félicitations d'avoir acheté ce produit Insignia de haute qualité. Le modèle NS-C5112 représente la dernière avancée technologique dans la conception de lecteurs CD et de récepteur HD Radio et il a été conçu pour des performances et une fiabilité exceptionnelles.

## Informations sur la sécurité

- Vérifier que les câbles repérés par couleur sont connectés conformément au schéma. Une connexion incorrecte peut provoquer le mauvais fonctionnement du système audio pour l'auto ou endommager le circuit électrique du véhicule.
- Veiller à connecter les câbles (-) du haut-parleur à la borne (-) du haut-parleur. Ne jamais connecter ensemble les câbles des haut-parleurs des voies droites et gauches ou à la masse du véhicule.
- Vérifier que toutes les connexions sont correctement réalisées avant de mettre l'appareil sous tension.
- Lorsque le fusible est remplacé, le fusible de rechange doit être du même ampérage que celui indiqué sur le porte-fusible.
- Ne pas bloquer les ouïes et les panneaux du radiateur. Tout blocage provoquera une accumulation de chaleur dans le boîtier et un éventuel incendie.
- Quand l'installation est terminée ou quand la batterie du véhicule est remplacée, retirer le panneau avant du système audio pour l'auto avant de le mettre en service, puis appuyer sur **RESET** [Réinitialisation] (sur la base) avec un objet pointu (tel qu'un stylo à bille) pour réinitialiser le système audio pour l'auto à ses paramètres par défaut.

## Fonctionnalités

### Panneau avant

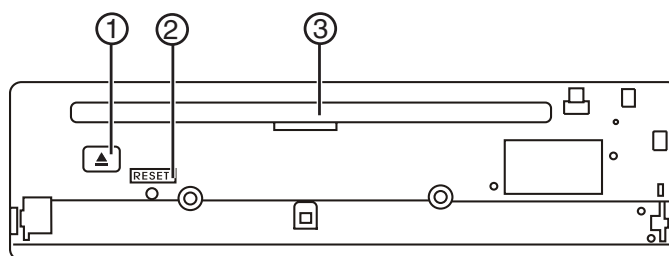


#	Composants	Description
1	MARCHE/ARRÊT	Permet d'allumer ou d'éteindre l'appareil. La maintenir appuyée pour afficher le niveau actuel du volume sonore.
2	MOD	Permet de sélectionner le mode audio. Il est possible de sélectionner les modes radio, lecture CD ou AUX (source d'entrée externe).
3	VOL-/VOL+/SEL	Tourner pour régler le volume. L'appuyer brièvement une ou plusieurs fois pour sélectionner l'option sonore à régler, puis tourner le bouton pour régler l'option. Maintenir cette touche appuyée pour activer ou désactiver l'horloge ou l'alarme.
4	AFFICHAGE	Permet d'afficher l'heure. La maintenir appuyée pour régler l'heure. Lors de la lecture d'un fichier MP3, appuyer sur cette touche pour afficher l'information sur le fichier MP3.
5	Capteur de télécommande	Reçoit les signaux de la télécommande. Ne pas obstruer la transmission des signaux.
6	ACL	Affiche des informations concernant l'état actuel.

#	Composants	Description
7	▶▶	En mode radio, permet de sélectionner la station suivante. La maintenir appuyée pour sélectionner manuellement une station. En mode lecture de CD, permet de sélectionner la piste suivante. La maintenir appuyée pour avancer rapidement pendant la lecture d'un CD.
8	◀◀	En mode radio, permet de sélectionner la station précédente. La maintenir appuyée pour sélectionner manuellement une station. En mode lecture de CD, permet de sélectionner la piste précédente. La maintenir appuyée pour un retour arrière rapide pendant la lecture d'un CD.
9	REL	Permet d'ouvrir le panneau avant.
10	BND	En mode radio, appuyer une ou plusieurs fois pour sélectionner une bande radio.
11	HD	Permet d'activer ou de désactiver les stations numériques. Quand <b>HD-S ON</b> s'affiche sur écran ACL, la recherche d'une station par le système audio pour l'auto se fera parmi les stations numériques. Quand <b>HD-S OFF</b> s'affiche, la recherche d'une station par le système audio pour l'auto se fera parmi les stations conventionnelles.
12	1 ▶	En mode radio, permet de sélectionner la station mémorisée 1. En mode de lecture d'un CD, permet de lancer ou d'interrompre momentanément la lecture.
13	2 INT	En mode radio, permet de sélectionner la station mémorisée 2. En mode lecture d'un CD, permet de lire les premières 10 secondes de chaque piste du CD.
14	3 RPT	En mode radio, permet de sélectionner la station mémorisée 3. En mode de lecture d'un CD, permet de répéter la piste en cours. La maintenir appuyée pour répéter le CD actuel ou le dossier MP3.
15	4 RDM	En mode radio, permet de sélectionner la station mémorisée 4. En mode de lecture d'un CD, permet de commencer ou d'arrêter la lecture aléatoire.
16	5 DOWN	Permet de sélectionner des options ou des fichiers MP3.

#	Composants	Description
17	6 UP	Permet de sélectionner des options ou des fichiers MP3.
18	SOUSDINE	Permet de mettre le son en sourdine. Appuyer de nouveau sur cette touche pour rétablir le son.
19	AUX	Pour connecter l'appareil à la source d'un signal externe.

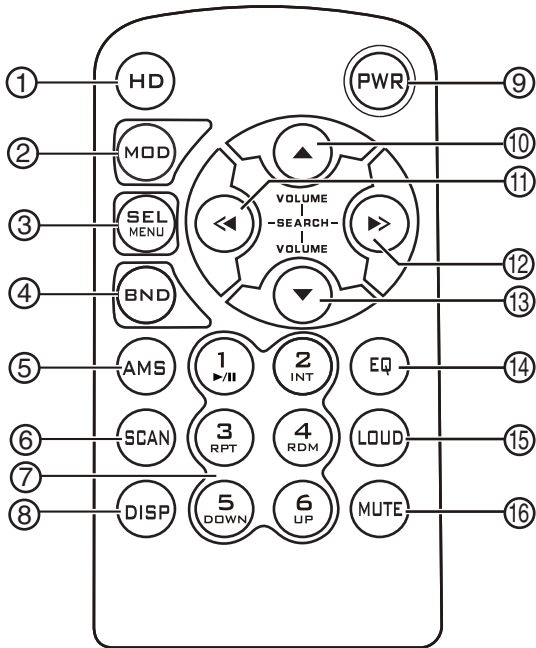
### Partie interne (panneau avant ouvert)



#	Composants	Description
1	▲	Permet d'éjecter un CD.
2	RÉINITIALISER	Permet de réinitialiser le système audio pour l'auto aux paramètres par défaut.
3	Fente de CD	Insérer le CD dans cette fente.



## Télécommande



#	Touche	Description
1	HD	Permet d'activer ou de désactiver les stations numériques. Quand <b>HD-S ON</b> s'affiche sur écran ACL, la recherche d'une station par le système audio pour l'auto se fera parmi les stations numériques. Quand <b>HD-S OFF</b> s'affiche, la recherche d'une station par le système audio pour l'auto se fera parmi les stations conventionnelles.
2	MOD	Permet de sélectionner le mode audio. Il est possible de sélectionner les modes radio, lecture de CD ou AUX (source d'entrée externe).
3	SEL/MENU	L'appuyer brièvement une ou plusieurs fois pour sélectionner l'option sonore à régler, puis appuyer sur ▲ ou ▼ pour régler l'option. Maintenir cette touche appuyée pour activer ou désactiver l'horloge ou l'alarme.
4	BND	En mode radio, elle permet de choisir la bande radio.
5	AMS	En mode radio, l'appuyer pour parcourir chaque station mémorisée pendant cinq secondes. Appuyer de nouveau sur cette touche pour s'arrêter à la station souhaitée. Pour mémoriser la station syntonisée, maintenir cette touche appuyée. Le système audio pour l'auto affecte automatiquement la station à une touche (de 1 à 6).
6	BALAYAGE	Permet d'aller à la station suivante avec un signal clair.

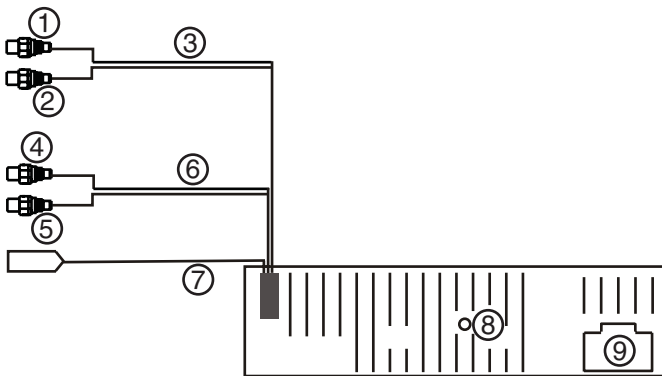
#	Touche	Description
7	Touches numériques	En mode radio, appuyer sur un chiffre pour syntoniser une station mémorisée. En mode CD : 1 – Permet de démarrer ou de mettre en pause la lecture d'un disque. 2 – Permet de lire les premières dix secondes de chaque piste du CD. 3 – Permet de répéter la piste actuelle. La maintenir appuyée pour répéter le CD actuel ou un dossier MP3. 4 – Permet de démarrer ou d'arrêter la lecture aléatoire. 5 – Permet de sélectionner des options ou des fichiers MP3. 6 – Permet de sélectionner des options ou des fichiers MP3.
8	AFFICHAGE	Permet d'afficher l'heure. La maintenir appuyée pour régler l'heure. Lors de la lecture d'un fichier MP3, cette touche permet d'afficher l'information sur le fichier MP3.
9	MARCHE/ARRÊT	Permet d'allumer ou d'éteindre l'appareil. La maintenir appuyée pour afficher le niveau actuel du volume sonore.
10	▲	Permet d'augmenter le volume sonore.
11	◀◀	En mode radio, permet de sélectionner la station précédente. La maintenir appuyée pour sélectionner manuellement une station. En mode lecture de CD, permet de sélectionner la piste précédente. La maintenir appuyée pour un retour arrière rapide pendant la lecture d'un CD.
12	▶▶	En mode radio, permet de sélectionner la station suivante. La maintenir appuyée pour sélectionner manuellement une station. En mode lecture de CD, permet de sélectionner la piste suivante. La maintenir appuyée pour avancer rapidement pendant la lecture d'un CD.
13	▼	Permet de diminuer le volume sonore.
14	ÉGALISATION	Permet de sélectionner un mode d'égalisation. Sélectionner POP, JAZZ, CLASSIC (Classique), ou ROCK.

#	Touche	Description
15	LOUD	Permet d'activer ou de désactiver la fonction d'accentuation des graves. Quand cette fonction est activée les sons graves sont accentués. Cela permet d'écouter les graves sans augmenter le volume.
16	SOURDINE	Permet de mettre le son en sourdine. Appuyer de nouveau sur cette touche pour rétablir le son.

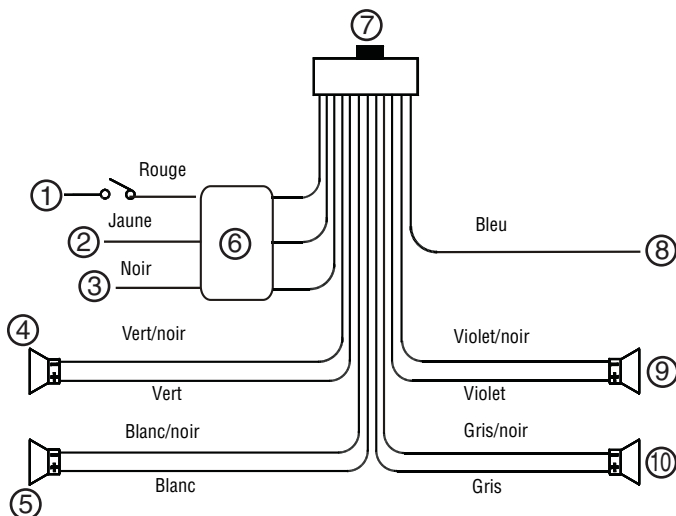
1	Clé de contact
2	Alimentation de secours pour la mémoire 12 V
3	Masse négative
4	Haut-parleur arrière gauche
5	Haut-parleur avant gauche
6	Boîte de la bobine d'induction
7	Prise de sortie
8	Vers antenne alimentée
9	Haut-parleur arrière droit
10	Haut-parleur avant droit

## Installation du système audio pour l'auto

### Raccordement des câbles

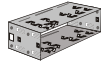
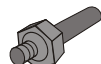



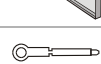
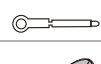
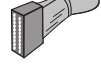


1	Gauche (blanc)
2	Droit (rouge)
3	RCA avant (gris foncé)
4	Gauche (blanc)
5	Droit (rouge)
6	RCA arrière (gris clair)
7	Prise d'antenne
8	Trous de vis
9	Prise de sortie



### Éléments

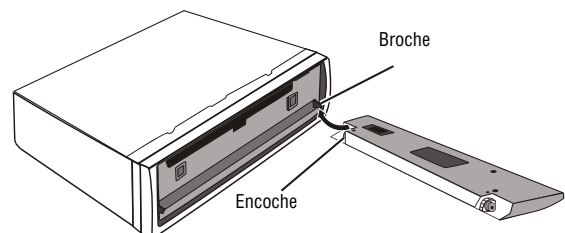
Vérifier qu'aucun élément ne manque.

Élément	Description
	Châssis de montage (1)
	Vis de montage arrière (1)
	Gaine de faisceau (1)
	Vis (M5 x 5)
	Cadre de garniture (1)
	Clés (2)
	Câble de connexion (1)
	Patte métallique (1)

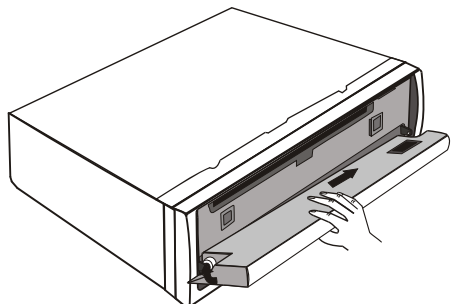
### Installation du panneau avant

#### Pour installer le panneau avant :

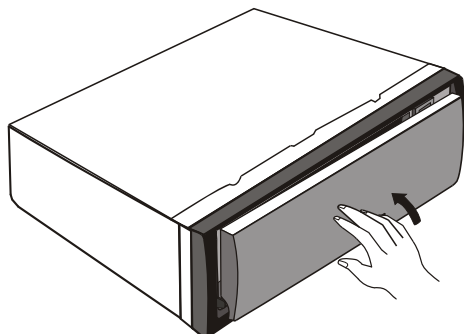
- 1 Aligner l'encoche du panneau avant avec la broche située sur le côté droit du système audio pour l'auto, puis enfoncer légèrement le panneau.



- 2 Faire glisser légèrement le panneau vers la droite.



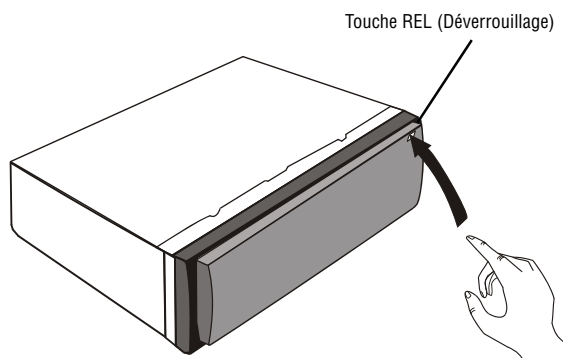
- 3 Faire pivoter le panneau vers le haut jusqu'à enclenchement.



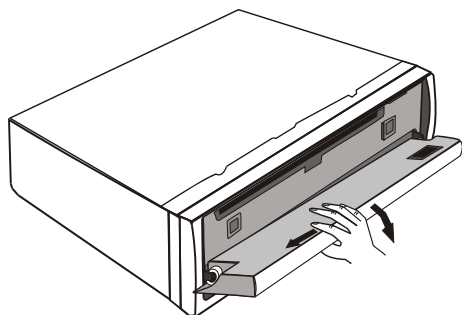
### Retrait du panneau avant

Pour retirer le panneau avant :

- 1 Appuyer sur le bouton **REL** pour déverrouiller le panneau avant.



- 2 Tirer le panneau avant vers l'extérieur jusqu'à ce qu'il forme un angle de 45°, puis le faire glisser la gauche pour le retirer.



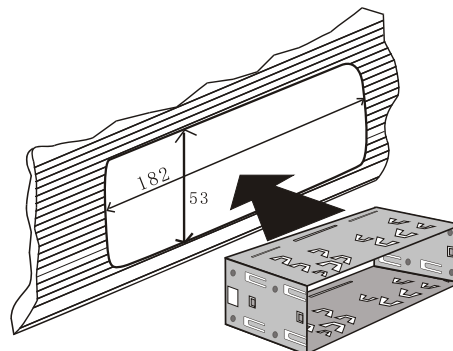
### Installation du système audio pour l'auto

Il existe deux méthodes pour installer le système audio pour l'auto sur le tableau de bord du véhicule.

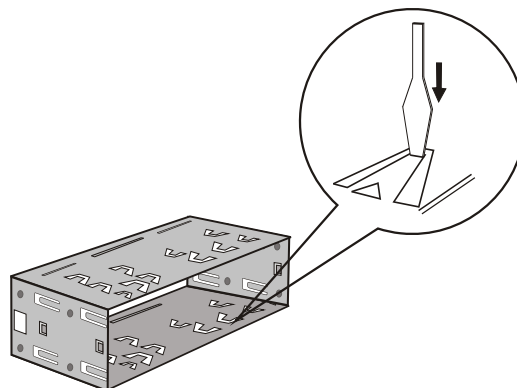
#### Montage avant DIN

Pour installer en utilisant la méthode de montage avant DIN :

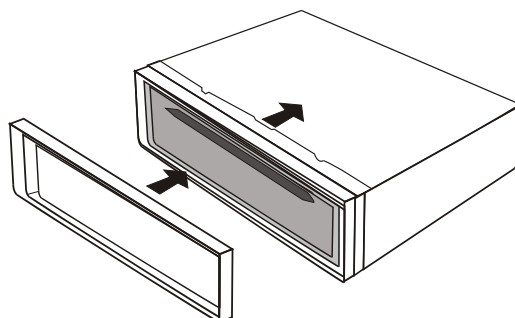
- 1 Faire glisser le châssis de montage dans l'ouverture du tableau de bord du véhicule.



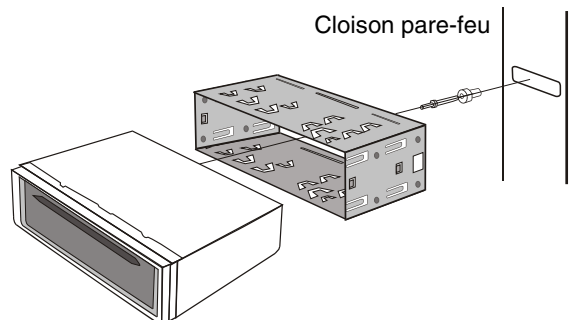
- 2 Le cas échéant, recourber les pattes de montage pour éliminer le jeu.



- 3 Installer le cadre de garniture.

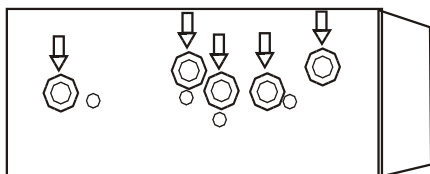


- 4 Glisser le système audio pour l'auto dans le châssis de montage.



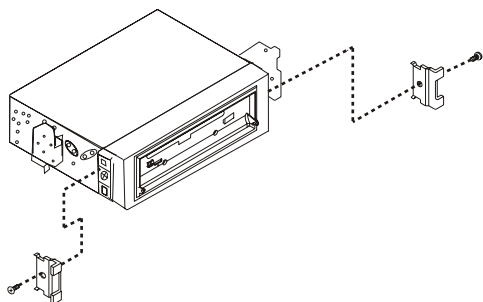
## Montage en utilisant les vis latérales

Le graphique ci-après indique les emplacements des trous pour les vis sur le côté du système audio pour l'auto.

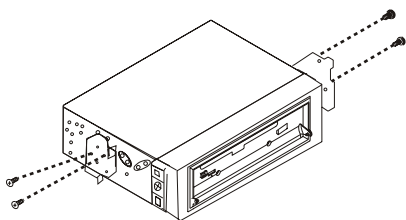


### Pour installer en utilisant la méthode de montage avec les vis latérales :

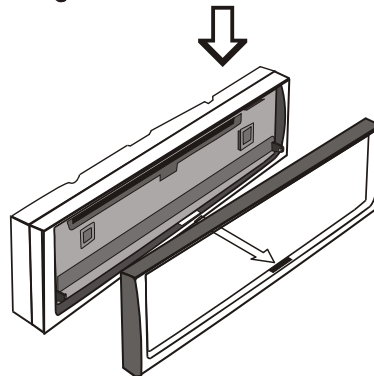
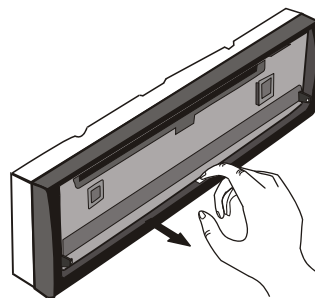
- 1 Retirer les crochets de chaque côté du système audio pour l'auto.
- 2 Retirer les pattes de fixation du système audio pour l'auto.



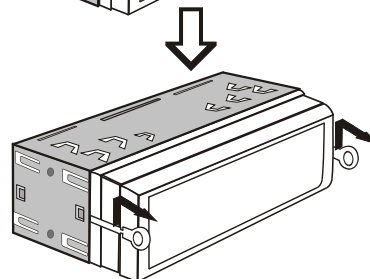
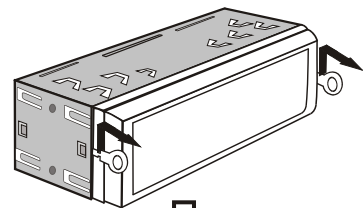
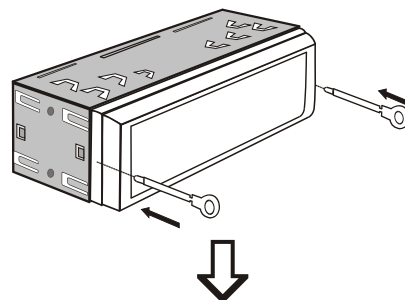
- 3 Aligner les trous pour les vis sur le côté du système audio pour l'auto avec les trous pour les vis du support de montage sur le véhicule, puis serrer les vis.



- 2 Retirer le cadre de garniture.



- 3 Insérer les deux clés fournies dans les ouvertures de chaque côté du système audio pour l'auto, puis tirer les clés vers l'avant pour retirer l'appareil du tableau de bord du véhicule.



## Retrait du système audio pour l'auto

### Pour retirer le système audio pour l'auto :

- 1 Retirer le panneau avant. Pour plus d'informations, voir « Retrait du panneau avant » à la page 17.

## Utilisation du système audio pour l'auto

### Mise sous et hors tension du système audio pour l'auto

Pour mettre le système audio pour l'auto sous et hors tension :

- Appuyer brièvement sur **PWR** (Marche/Arrêt).

### Réglage du volume

Pour régler le volume :

- Appuyer sur ▼ ou ▲ de la télécommande ou sur **VOL-** ou **VOL+** de l'appareil pour diminuer ou augmenter le volume.

#### Remarque

Il est possible de maintenir **PWR** appuyée pour afficher le niveau actuel du volume.

- Appuyer sur **MUTE** pour mettre le son en sourdine. Appuyer de nouveau sur **MUTE** pour restaurer le son.

### Réglage des paramètres sonores

Pour régler les paramètres sonores :

- 1 Appuyer une ou plusieurs fois sur **SEL** (Sélecteur) pour sélectionner le paramètre sonore à ajuster. Sélections possibles :
  - **VOL** – Permet de régler le volume.
  - **BAS** – Permet de régler les graves.
  - **TRE** (Aigus) – Permet de régler les aigus.
  - **FAD** – Permet de régler l'équilibre entre les haut-parleurs avant et arrière.
  - **BAL** – Permet de régler la balance entre les haut-parleurs.
- 2 Appuyer sur ▼ ou ▲ de la télécommande ou tourner le bouton du volume de l'appareil pour régler l'option.

#### Remarque

Si le paramètre n'est pas réglé dans les cinq secondes de sa sélection, l'appareil revient automatiquement au mode actuel.

### Sélection du mode d'égalisation

#### Remarque

Le mode d'égalisation ne peut être sélectionné qu'avec la télécommande.

Pour sélectionner le mode d'égalisation :

- Appuyer une ou plusieurs fois sur **EQ** pour sélectionner le mode d'égalisation souhaité. Il est possible de sélectionner **POP**, **JAZZ**, **CLASSIC** (Classique), **NOR** (normal), ou **ROCK**.

### Activation et désactivation de la fonction d'accentuation des graves

Quand cette fonction est activée les sons graves sont accentués. Cela permet d'écouter les graves sans augmenter le volume.

#### Remarque

La fonction d'accentuation des graves ne peut être désactivée ou activée qu'en utilisant la télécommande.

Pour activer ou désactiver la fonction d'accentuation des graves :

- Appuyer sur **LOUD**.

### Activation et désactivation de l'horloge ou de l'alarme

Pour activer ou désactiver l'horloge ou l'alarme avec la télécommande :

- 1 Maintenir **SEL/MENU** appuyée pendant deux secondes pour afficher l'horloge/l'alarme, puis appuyer sur **SEL/MENU** une ou plusieurs fois pour sélectionner **CLOCK ON** (Horloge activée) ou **BEEP ON** (Alarme activée).
- 2 Appuyer sur ▲ pour sélectionner **ON** (Activé) ou ▼ pour sélectionner **OFF** (Désactivé).

### Affichage de l'heure

Pour afficher et régler l'heure :

- Appuyer sur **DISP**. L'heure s'affiche. Appuyer de nouveau sur cette touche pour fermer l'affichage.

### Réglage de l'heure

Pour régler l'heure :

- 1 Maintenir **DISP** appuyée jusqu'à ce que les deux points (:) du milieu de l'affichage de l'heure commencent à clignoter.
- 2 Appuyer sur ◀ de la télécommande ou sur ◀◀ de l'appareil pour régler les heures.
- 3 Appuyer sur ▶ de la télécommande ou sur ▶▶ de l'appareil pour régler les minutes.

### Sélection du mode audio

Pour sélectionner le mode audio :

- Appuyer sur **MOD** pour sélectionner **RADIO**, **CD** ou **AUX**.

### Réinitialisation du système audio pour l'auto

L'appareil doit être réinitialisé quand :

- Il est installé pour la première fois.
- La batterie du véhicule est remplacée.
- Des messages d'erreur s'affichent sur l'écran ACL.

#### Remarque

Quand l'appareil est réinitialisé, le réglage de l'heure et les autres fonctions mémorisées sont effacés.

Pour réinitialiser le système audio pour l'auto :

- Ouvrir le panneau avant, puis appuyer sur **RESET** (Réinitialisation).

## Utilisation de la radio

### Sélection de la bande de syntonisation

#### Pour sélectionner la bande de syntonisation :

- 1 Veiller à être en mode radio.
- 2 Appuyer une ou plusieurs fois sur **BND** pour sélectionner la bande radio. Il est possible de sélectionner **F1, F2, F3, A1** ou **A2**. **F1** à **F3** sont des bandes FM. **A1** et **A2** sont des bandes AM

### Syntonisation automatique d'une station radio

#### Pour syntoniser automatiquement une station radio :

- 1 Veiller à être en mode radio.
- 2 Appuyer brièvement sur **<<** ou **>>** de la télécommande ou sur **◀◀** ou **▶▶** de l'appareil. **AUTO** s'affiche sur l'écran ACL et l'appareil s'arrête sur la prochaine station avec un signal.

### Syntonisation manuelle d'une station radio :

#### Pour syntoniser manuellement une station radio :

- 1 Veiller à être en mode radio.
- 2 Maintenir appuyée **<<** ou **>>** de la télécommande ou **◀◀** ou **▶▶** de l'appareil. **MANUAL** s'affiche sur l'écran ACL.
- 3 Appuyer une ou plusieurs fois brièvement **<<** ou **>>** de la télécommande ou **◀◀** ou **▶▶** de l'appareil pour syntoniser la station souhaitée.

### Balayage automatique de stations

#### Remarque

Le balayage des stations de peut se faire qu'avec la télécommande.

#### Pour balayer automatiquement des stations :

- 1 Appuyer sur **SCAN** (Balayage). L'appareil recherche une station avec un signal, permet de l'écouter pendant cinq secondes puis recherche la station suivante.
- 2 Quand la station souhaitée a été détectée, appuyer de nouveau sur **SCAN**.

### Mémorisation des stations

Il est possible de mémoriser jusqu'à six stations par bande radio.

#### Pour mémoriser des stations :

- 1 Veiller à être en mode radio.
- 2 Sélectionner la bande radio de la station à mémoriser.
- 3 Syntoniser la station à mémoriser.
- 4 Appuyer sur **AMS** de la télécommande ou l'une des touches numériques (1 à 6) de l'appareil pendant plus de trois secondes. La station est mise en mémoire.

### Balayage des stations mémorisées

Il est possible de parcourir les stations mémorisées. L'appareil joue cinq secondes de chaque station mémorisée avant d'aller à la suivante.

#### Remarque

Le balayage des stations de peut se faire qu'avec la télécommande.

#### Pour parcourir les stations mémorisées :

- 1 Veiller à être en mode radio.
- 2 Sélectionner la bande radio de la station à mémoriser.
- 3 Appuyer sur **AMS** de la télécommande pour commencer le balayage. L'appareil joue cinq secondes de chaque station mémorisée avant d'aller à la suivante.
- 4 Quand la station souhaitée a été détectée, appuyer **de nouveau** sur **AMS**.

### Activation et désactivation des stations numériques (HD)

#### Pour activer et désactiver les stations numériques (HD)



- 1 Veiller à être en mode radio.
- 2 Maintenir **HD** appuyée jusqu'à l'affichage sur l'écran ACL de **HD-S ON** (Stations numériques activées) ou **HD-S OFF** (Stations numériques désactivées).

Quand **HD-S ON** est affiché sur l'écran ACL, la syntonisation et le balayage des stations se fait sur la bande numérique.

## Utilisation du lecteur CD

### Disques compatibles

Cet appareil peut lire les disques suivants :

Type de disque	Logo	Format	Dimensions
CD		Audio	12 cm
MP3		Audio	12 cm

### Lecture d'un CD

#### Pour lire un CD :

- 1 Veiller à être en mode de lecture d'un CD.
- 2 Appuyer sur **REL** de l'appareil pour ouvrir le panneau avant.
- 3 Insérer un CD avec l'étiquette tournée vers le haut dans la fente pour CD. La lecture du CD commence automatiquement.



## Commande de la lecture d'un CD

### Pour commander la lecture d'un CD :

- Pour arrêter momentanément la lecture, appuyer sur ►||. Pour reprendre la lecture, appuyer de nouveau sur cette touche.
- Pour recommencer la lecture de la piste actuelle, appuyer sur ◀ de la télécommande ou ◀◀ de l'appareil.
- Pour recommencer la lecture de la piste précédente, appuyer deux fois sur ◀ de la télécommande ou ◀◀ de l'appareil.
- Pour commencer la lecture de la piste suivante, appuyer sur ▶ de la télécommande ou ▶▶ de l'appareil.
- Pour un retour rapide, maintenir appuyée ◀ de la télécommande ou ◀◀ de l'appareil. Relâcher la touche quand la piste souhaitée est atteinte.
- Pour une avance rapide, maintenir appuyée ▶▶ de la télécommande ou ▶▶▶ de l'appareil. Relâcher la touche quand la piste souhaitée est atteinte.
- Pour rechercher une piste, appuyer sur **INT**. Le lecteur joue alors les quelques premières 10 secondes de chaque piste. Quand la piste recherchée est localisée, appuyer de nouveau sur cette touche.
- Pour la lecture de la même piste en mode répétition, appuyer sur **RPT**. Pour arrêter la lecture en mode répétition, appuyer de nouveau sur cette touche.
- Pour reproduire les pistes en ordre aléatoire, appuyer sur **RDM**. Pour reprendre la lecture normale, appuyer de nouveau sur cette touche.

## Sélection d'un fichier MP3

Si le CD en lecture a plusieurs fichiers MP3, il est possible de sélectionner le fichier souhaité.

### Pour sélectionner un fichier MP3 :

- Avec le CD en cours de lecture, appuyer sur ▼ ou ▲ de la télécommande ou sur **UP** ou **DOWN** de l'appareil pour sélectionner le fichier souhaité.

## Affichage de l'information sur le MP3

### Pour afficher l'information sur le MP3 :

- Avec le CD en cours de lecture, appuyer une ou plusieurs fois sur **DISP** pour afficher l'heure actuelle, le nom de la piste, le nom du répertoire et l'information ID3.

## Éjection d'un CD

### Pour éjecter un CD :

- 1 Appuyer sur **REL** de l'appareil pour ouvrir le panneau avant.
- 2 Appuyer sur ▲ pour éjecter le CD.

## Problèmes et solutions

Problème	Solution
Aucune alimentation.	Vérifier le fusible. Si le fusible est grillé, le remplacer par un autre ayant le même ampérage.
L'écran ACL affiche une information incorrecte n'affiche aucune information.	Retirer le panneau avant, puis appuyer sur <b>RESET</b> (Réinitialisation).
Les stations radio ne fonctionnent pas	Vérifier que l'antenne du véhicule est connectée correctement et fermement. Veiller à être en mode radio.
La réception de la station radio est médiocre.	Vérifier que l'antenne est entièrement déployée. Si l'antenne est détériorée, la remplacer. Vérifier que l'antenne du véhicule est correctement mise à la masse.
Impossible d'insérer un CD.	Vérifier l'absence de CD dans le lecteur.
Sauts du son.	Le CD est sale ou endommagé.

### Remarque

Si le problème persiste après avoir essayé les solutions ci-dessus, contacter un service de réparation agréé.  
L'utilisateur ne doit pas essayer de réparer cet appareil lui-même.

## Entretien

### Remplacement du fusible

Vérifier que le fusible de rechange a le même ampérage que celui d'origine. Si le fusible grille après avoir été remplacée, contacter un service de réparation agréé.

### Attention

Ne jamais utiliser un fusible dans l'ampérage est supérieur à celui d'origine, car cela pourrait endommager l'appareil.

### Nettoyage du connecteur.

Si le connecteur entre l'appareil et le panneau avant devient sale, le système audio pour l'auto peut fonctionner de façon incorrecte ou ne pas fonctionner du tout.

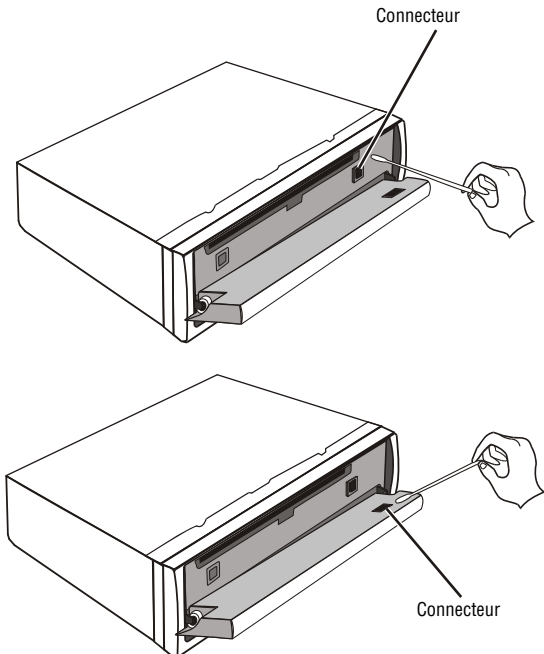
### Pour nettoyer le connecteur :

- 1 Couper le contact du véhicule et retirer la clé du démarreur.
- 2 Retirer le panneau avant. Pour plus d'informations, voir « Retrait du panneau avant » à la page 17.

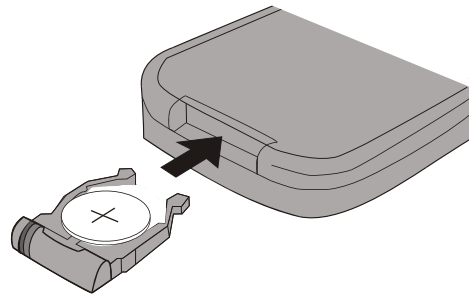
- 3 Utiliser un coton-tige trempé dans l'alcool pour nettoyer délicatement le connecteur de l'appareil et le panneau avant. Attention de ne pas endommager le connecteur.

**Attention**

Ne pas toucher le connecteur avec les doigts ou un objet métallique. Le connecteur pourrait être endommagé.



- 3 Remettre le porte- pile dans la télécommande.



**Précautions relatives aux piles**

**Avertissement**

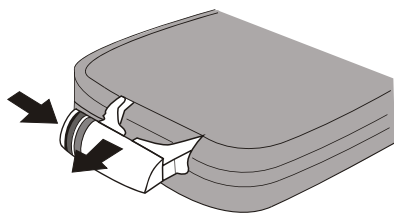
- Une manipulation incorrecte de la pile peut être source d'explosion.
  - La pile ne peut être rechargée.
  - Ne pas essayer de démonter une pile.
  - Ne pas jeter les piles dans le feu.
- Les piles doivent toujours être tenues hors de la portée des enfants. Si une pile est avalée, consulter immédiatement un médecin.
  - Pour un rendement optimal, nettoyer la pile avec un chiffon sec avant de l'installer.
  - Veiller à ce que le signe + de la pile soit tournée vers le haut.
  - Ne pas toucher la pile avec un objet métallique, tel qu'une pince, car cela peut être source de court-circuit électrique.

**Remplacement de la pile de la télécommande**

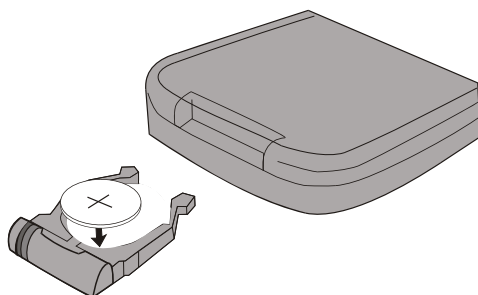
La pile de recharge doit être une pile bouton (CR2025).

**Pour remplacer la pile de la télécommande :**

- 1 Tout en appuyant sur le dispositif de verrouillage, retirer délicatement le porte-pile de la télécommande.



- 2 Retirer la vieille pile et placer la nouvelle dans le porte-pile avec le côté du (+) tourné vers le haut



**Manipulation des disques**

Un disque sale, rayé ou voilé peut causer des sauts ou des parasites.

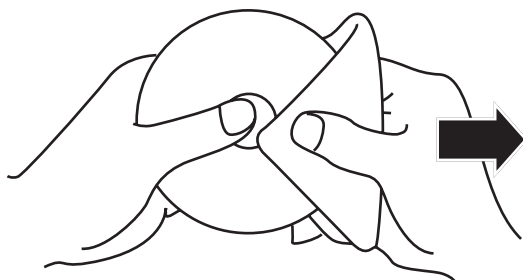
**Pour entretenir les disques :**



- Tenir les disques par les bords.
- Ranger les disques dans leur boîtier lorsqu'ils ne sont pas utilisés.
- Ne pas exposer les disques à la lumière directe du soleil, à une humidité élevée, à de hautes températures ou à la poussière. Une exposition prolongée à des températures extrêmes peut avoir pour effet de voiler les disques.
- Ne pas coller d'étiquette ou de ruban adhésif sur les disques.



### Pour nettoyer un disque :



- À l'aide d'un chiffon doux, essuyer le disque à partir du centre vers la périphérie.

#### Attention

Ne pas utiliser de détergent, ni d'agents de nettoyage abrasifs. Ils endommageraient la surface du disque.

## Spécifications

Les spécifications sont sujettes à modification sans préavis.

### Générales

Alimentation	14,4 V CC (11 à 16 V autorisés)
Impédance de charge	4Ω
Puissance de sortie maximale	40 W × 4
Contrôles de la tonalité	± 10 dB Graves 100 Hz
Dimensions (approximatives)	7,56 × 7 × 1,97 po (192 × 178 × 50 mm)
Dimensions du montage (approximatives)	6,65 × 7,17 × 2,09 po (169 × 182 × 53 mm)
Poids	3,86 lb (1,75 kg)

### FM

Gamme du syntoniseur	87,5 à 107,9 MHz (Aux États-Unis)
Gamme FI	10,7 MHz
Sensibilité utilisable	10 dB μV (- 30 dB)
Rapport signal à bruit	60 dB
Séparation stéréo	30 dB (1 kHz)
Réponse en fréquence	30 à 15 000 Hz

### AM

Gamme de fréquence	530 à 1 710 kHz (Aux États-Unis)
Gamme FI	450 kHz
Sensibilité utilisable	28 dB μV (- 20 dB)

### Lecteur CD

Rapport signal à bruit	65 dB
Séparation	- 60 dB (1 kHz)
Distorsion	0,1 %

## Avis juridiques

### FCC article 15

Cet appareil est conforme à l'article 15 du règlement de la FCC. Son utilisation est soumise aux deux conditions suivantes : (1) cet appareil ne doit pas provoquer d'interférences préjudiciables, et (2) il doit accepter toute interférence reçue, y compris celles risquant d'engendrer un fonctionnement indésirable.

Cet équipement a été mis à l'essai et déclaré conforme aux limites prévues pour un appareil numérique de classe B, définies dans la section 15 de la réglementation FCC. Ces limites ont été établies pour fournir une protection raisonnable contre les interférences préjudiciables lors d'une installation résidentielle. Cet équipement génère, utilise et diffuse des ondes radio et, s'il n'est pas installé et utilisé conformément aux instructions dont il fait l'objet, il peut provoquer des interférences préjudiciables aux communications radio. Cependant, il n'est pas possible de garantir qu'aucune interférence ne se produira pour une installation particulière. Si cet équipement produit des interférences préjudiciables lors de réceptions radio ou télévisées, qui peuvent être détectées en éteignant puis en rallumant l'appareil, essayer de corriger l'interférence au moyen de l'une ou de plusieurs des mesures suivantes :

- Réorienter ou déplacer l'antenne réceptrice.
- Augmenter la distance entre l'équipement et le récepteur.
- Brancher l'équipement sur la prise électrique d'un circuit différent de celui auquel le récepteur est relié.
- Contacter le revendeur ou un technicien qualifié pour toute assistance.

### Avertissement de la FCC

Tous changements ou toutes modifications qui ne seraient pas expressément approuvés par les responsables de l'application des règles FCC pourraient rendre nul le droit de l'utilisateur d'utiliser cet équipement.

### Droits d'auteurs

© 2007 Insignia. Insignia et le logo Insignia sont des marques de commerce de Best Buy Enterprise Services, Inc. Les autres noms de marques et de produits mentionnés sont des marques de commerce ou des marques déposées de leurs propriétaires respectifs. Les spécifications et caractéristiques sont susceptibles d'être modifiées sans préavis.

Pour l'assistance technique, appeler le (877) 467-4289.



## Garantie limitée de 90 jours

Insignia Products (« Insignia ») garantit au premier acheteur de ce **NS-C5112** neuf (« Produit »), qu'il est exempt de vices de fabrication et de main-d'œuvre à l'origine, pour une période de 90 jours à partir de la date d'achat du Produit (« Période de garantie »). Ce Produit doit avoir été acheté chez un revendeur agréé des produits de la marque Insignia et emballé avec cette déclaration de garantie. Cette garantie ne couvre pas les Produits remis à neuf. Les conditions de la présente garantie s'appliquent à tout Produit pour lequel Insignia est notifié pendant la Période de garantie, d'un vice couvert par cette garantie qui nécessite une réparation.

### Quelle est la durée de la couverture?

La Période de garantie dure 90 jours à compter de la date d'achat de ce Produit. La date d'achat est imprimée sur le reçu fourni avec le Produit.

### Que couvre cette garantie?

Pendant la Période de garantie, si un vice de matériau ou de main-d'œuvre d'origine est détecté sur le Produit par un service de réparation agréé par Insignia ou le personnel du magasin, Insignia (à sa seule discrétion) : (1) réparera le Produit en utilisant des pièces détachées neuves ou remises à neuf; ou (2) remplacera le Produit par un produit ou des pièces neuves ou remises à neuf de qualité comparable. Les produits et pièces remplacés au titre de cette garantie deviennent la propriété d'Insignia et ne sont pas retournés à l'acheteur. Si les Produits ou pièces nécessitent une réparation après l'expiration de la Période de garantie, l'acheteur devra payer tous les frais de main-d'œuvre et les pièces. Cette garantie reste en vigueur tant que l'acheteur reste propriétaire du Produit Insignia pendant la Période de garantie. La garantie prend fin si le Produit est revendu ou transféré d'une quelconque façon que ce soit à tout autre propriétaire.

### Comment obtenir une réparation sous garantie?

Si le Produit a été acheté chez un détaillant, le rapporter accompagné du reçu original chez ce détaillant. Prendre soin de remettre le Produit dans son emballage d'origine ou dans un emballage qui procure la même qualité de protection que celui d'origine. Si le Produit a été acheté en ligne, l'expédier accompagné du reçu original à l'adresse indiquée sur le site Web. Prendre soin de remettre le Produit dans son emballage d'origine ou dans un emballage qui procure la même qualité de protection que celui d'origine.

Pour obtenir le service de la garantie à domicile pour un téléviseur avec écran de 25 po ou plus, appeler le 1-888-BESTBUY. L'assistance technique établira un diagnostic et corrigera le problème au téléphone ou enverra un technicien agréé par Insignia pour la réparation à domicile.

### Où cette garantie s'applique-t-elle?

Cette garantie ne s'applique qu'à l'acheteur original du produit aux États-Unis et au Canada.

### Ce qui n'est pas couvert par cette garantie limitée

La présente garantie ne couvre pas :

- la formation du client;
- Installation
- les réglages de configuration;
- les dommages esthétiques;
- les dommages résultants de catastrophes naturelles telles que la foudre;
- les accidents;
- une utilisation inadaptée;
- une manipulation abusive;
- la négligence;
- une utilisation commerciale;
- la modification de tout ou partie du Produit, y compris l'antenne;
- un écran plasma endommagé par les images fixes (sans mouvement) qui restent affichées pendant de longues périodes (rémanentes).

La présente garantie ne couvre pas non plus :

- les dommages ayant pour origine une utilisation ou une maintenance défectueuse;
- la connexion à une source électrique dont la tension est inadéquate;

- toute réparation effectuée par quiconque autre qu'un service de réparation agréé par Insignia pour la réparation du Produit;
- les produits vendus en l'état ou hors service;
- les consommables tels que les fusibles ou les piles;
- les produits dont le numéro de série usine a été altéré ou enlevé.

LA RÉPARATION OU LE REMPLACEMENT, TELS QU'OFFERTS PAR LA PRÉSENTE GARANTIE, CONSTITUENT LE SEUL RECOURS DE L'ACHETEUR. INSIGNIA NE SAURAIT ÊTRE TENU POUR RESPONSABLE DE DOMMAGES ACCESSOIRES OU CONSÉCUTIFS, RÉSULTANT DE L'INEXÉCUTION D'UNE GARANTIE EXPRESSE OU IMPLICITE SUR CE PRODUIT, Y COMPRIS, SANS S'Y LIMITER, LA PERTE DE DONNÉES, L'IMPOSSIBILITÉ D'UTILISER LE PRODUIT, L'INTERRUPTION D'ACTIVITÉ OU LA PERTE DE PROFITS. INSIGNIA PRODUCTS N'OCTROIE AUCUNE AUTRE GARANTIE EXPRESSE RELATIVE À CE PRODUIT; TOUTES LES GARANTIES EXPRESSES OU IMPLICITES POUR CE PRODUIT, Y COMPRIS MAIS SANS LIMITATION, TOUTE GARANTIE DE QUALITÉ MARCHANDE, D'ADÉQUATION À UN BUT PARTICULIER, SONT LIMITÉES À LA PÉRIODE DE GARANTIE APPLICABLE TELLE QUE DÉCRITE CI-DESSUS ET AUCUNE GARANTIE EXPRESSE OU IMPLICITE NE S'APPLIQUERA APRÈS LA PÉRIODE DE GARANTIE. CERTAINS ÉTATS ET PROVINCES NE RECONNAÎSSENT PAS LES LIMITATIONS DE LA DURÉE DE VALIDITÉ DES GARANTIES IMPLICITES. PAR CONSÉQUENT, LES LIMITATIONS SUSMENTIONNÉES PEUVENT NE PAS S'APPLIQUER À L'ACHETEUR ORIGINAL. LA PRÉSENTE GARANTIE DONNE À L'ACHETEUR DES GARANTIES JURIDIQUES SPÉCIFIQUES; IL PEUT AUSSI BÉNÉFICIER D'AUTRES GARANTIES QUI VARIENT D'UN ÉTAT OU D'UNE PROVINCE À L'AUTRE.

Pour contacter Insignia :

Pour le service à la clientèle, appeler le 1-877-467-4289  
www.insignia-products.com

INSIGNIA<sup>MC</sup> est une marque de commerce de Best Buy Enterprise Services, Inc.

Distribué par Best Buy Purchasing, LLC.

Insignia, 7601 Penn Avenue South, Richfield, Minnesota, U.S.A.



# Unidad de CD para automóvil con receptor HD Radio Insignia NS-C5112

- Depende del vehículo antes de realizar cualquier operación que pudiera interferir con el manejo del vehículo.
- No use su unidad de CD para auto en temperaturas extremadamente altas o bajas. Asegúrese de que la temperatura adentro del vehículo se encuentra entre 140°F y 14 °F (+60°C y -10°C) antes de encender su unidad de CD para auto.

## Contenido

Bienvenido . . . . .27  
 Información de seguridad . . . . .27  
 Características . . . . .27  
 Instalación de su unidad de CD para auto . . . . .30  
 Usando su unidad para auto . . . . .33  
 Usando la radio . . . . .34  
 Uso del reproductor de CD . . . . .35  
 Localización y corrección de fallas . . . . .36  
 Mantenimiento . . . . .36  
 Especificaciones . . . . .37  
 Avisos legales . . . . .38  
 Garantía limitada de 90 días . . . . .39

## Bienvenido

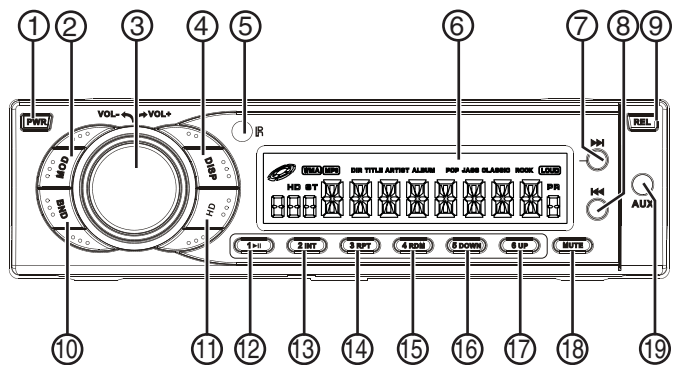
Felicitaciones por su compra de un producto de alta calidad de Insignia. Su NS-C5112 representa el más moderno diseño de reproductores de CD con receptor HD Radio y está concebido para brindar un rendimiento seguro y sin problemas.

## Información de seguridad

- Asegúrese de conectar los cables codificados por color de acuerdo al diagrama. Conexiones incorrectas pueden causar que su unidad de CD para auto funcione mal o que dañe el sistema eléctrico del vehículo.
- Asegúrese de conectar los cables de altavoz (-) a los terminales (-) de los altavoces. Nunca conecte los cables de altavoz izquierdo y derecho entre ellos o al chasis del vehículo.
- Asegúrese de que todas las conexiones están hechas correctamente antes de encender su unidad de CD para auto.
- Cuando reemplace el fusible, los de reemplazo deberán ser de la misma capacidad que se muestra en el portafusibles.
- No bloquee las aberturas o los paneles de radiador. Bloquearlas puede causar que se acumule calor adentro y puede resultar en un incendio.
- Después de completar la instalación y antes de usar su unidad de CD para auto o cuando reemplace la batería del vehículo, renueva su unidad del panel frontal y presiona el botón **RESET** [Restablecer] (en la base) con un objeto con punta (tal como un bolígrafo) para regresar la unidad con sus ajustes de fábrica.
- No intente modificar su unidad de CD para auto. Modificarla puede causar un incendio.

## Características

### Panel frontal

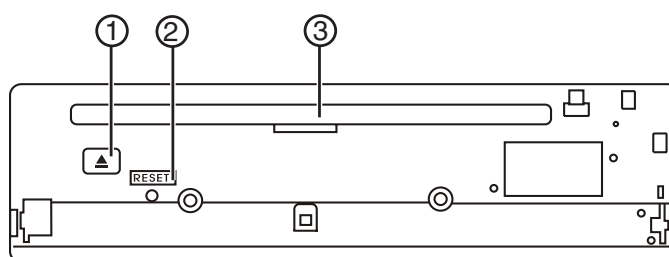


#	Componente	Descripción
1	ENCENDIDO	Permite encender o apagar su unidad de CD para auto. Mantenga presionado para mostrar el nivel de volumen actual.
2	MODO	Permite seleccionar el modo de audio. Puede seleccionar el modo de radio, modo de reproducción de CD, o un modo auxiliar (fuente de entrada externa).
3	VOL-/VOL+/SEL	Gire para ajustar el volumen. Presione brevemente una o más veces para seleccionar la opción de sonido que desea ajustar y gire la perilla para ajustar la opción. Mantenga presionado para activar o desactivar el reloj o la alarma.
4	VISUALIZACIÓN	Permite mostrar la hora. Mantenga presionado el botón para ajustar la hora. Cuando se reproduce un archivo MP3, permite mostrar información acerca del archivo.
5	Sensor del control remoto	Recibe las señales del control remoto. No se debe bloquear.
6	LCD	Muestra información sobre el estado actual.

#	Componente	Descripción
7	▶▶	En el modo de radio, permite seleccionar la siguiente emisora adyacente. Mantenga presionado el botón para seleccionar una emisora manualmente. En el modo de reproducción de CD, permite seleccionar la siguiente pista de un CD. Mantenga presionado el botón para avanzar rápidamente por un CD.
8	◀◀	En el modo de radio, permite seleccionar la emisora adyacente anterior. Mantenga presionado el botón para seleccionar una emisora manualmente. En el modo de reproducción de CD, permite seleccionar la pista anterior de un CD. Mantenga presionado el botón para retroceder rápidamente por un CD.
9	LIBERAR	Permite liberar el panel frontal.
10	BANDA	En el modo de radio, presione a una o más veces para seleccionar una banda de radio.
11	HD	Permite activar o desactivar las emisoras digitales. Cuando el indicador <b>HD-S ON</b> (HD-S ACTIVADO) aparezca en la pantalla LCD y esté buscando una emisora, su unidad de CD para auto buscará entre las emisoras digitales. Cuando el indicador <b>HD-S OFF</b> (HD-S DESACTIVADO) aparezca en la pantalla LCD y esté buscando una emisora, su unidad de CD para auto buscará entre las emisoras normales.
12	1 ▶	En el modo de radio, permite seleccionar la estación programada número 1. En el modo de CD, permite comenzar o pausar la reproducción.
13	2 INTRO	En el modo de radio, permite seleccionar la estación programada número 2. En el modo de reproducción de CD, permite reproducir los primeros 10 segundos de cada pista del CD.
14	3 REPETIR	En el modo de radio, permite seleccionar la estación programada número 3. En el modo de reproducción de CD, permite repetir la pista actual. Mantenga presionado el botón para repetir el CD o la carpeta de MP3 actual.

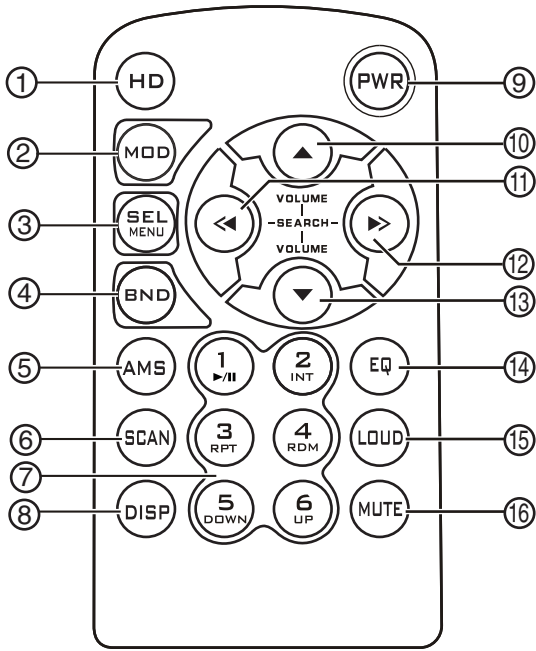
#	Componente	Descripción
15	4 ALEATORIO	En el modo de radio, permite seleccionar la estación programada número 4. En el modo de reproducción de CD, permite iniciar o detener la reproducción aleatoria.
16	5 ABAJO	Permite seleccionar opciones o archivos MP3.
17	6 ARRIBA	Permite seleccionar opciones o archivos MP3.
18	SILENCIAR	Permite silenciar el sonido. Presiónelo de nuevo para restaurar el sonido.
19	AUXILIAR	Úsela para conectar una fuente de entrada externa.

### Adentro (panel frontal abierto)



#	Componente	Descripción
1	▲	Permite expulsar un CD.
2	RESTABLECER	Presione para restablecer su unidad de CD para auto a los valores predefinidos de fábrica.
3	Ranura para CDs	Inserte un CD en esta ranura.

### Control remoto



#	Botón	Descripción
5	AMS	En el modo de radio, permite escanear cada emisora programada por cinco segundos. Cuando escuche una emisora que desea escuchar, presione este botón de nuevo. Cuando sintonice una emisora que desea programar, mantenga presionado este botón para guardarla. Su unidad de CD para auto asigna automáticamente la emisora a un botón (del 1 al 6).
6	RASTREAR	Permite buscar la siguiente emisora con una señal clara.
7	Números	En el modo de radio, presione a un número para sintonizar una emisora programada. En el modo de CD: 1- Permite comenzar o pausar la reproducción. 2- Permite reproducir los primeros 10 segundos de cada pista en el CD. 3- Permite repetir la pista actual. Mantenga presionado el botón para repetir el CD o la carpeta de MP3 actual. 4- Permite iniciar o detener la reproducción aleatoria. 5- Permite seleccionar opciones o archivos MP3. 6- Permite seleccionar opciones o archivos MP3.
8	VISUALIZACIÓN	Permite mostrar la hora. Mantenga presionado el botón para ajustar la hora. Cuando se reproduce un archivo MP3, permite mostrar información acerca del archivo.
9	ENCENDIDO	Permite encender o apagar su unidad de CD para auto. Mantenga presionado para mostrar el nivel de volumen actual.
10	▲	Permite subir el volumen.
11	◀◀	En el modo de radio, permite seleccionar la emisora adyacente anterior. Mantenga presionado el botón para seleccionar una emisora manualmente. En el modo de reproducción de CD, permite seleccionar la pista anterior de un CD. Mantenga presionado el botón para retroceder rápidamente por un CD.

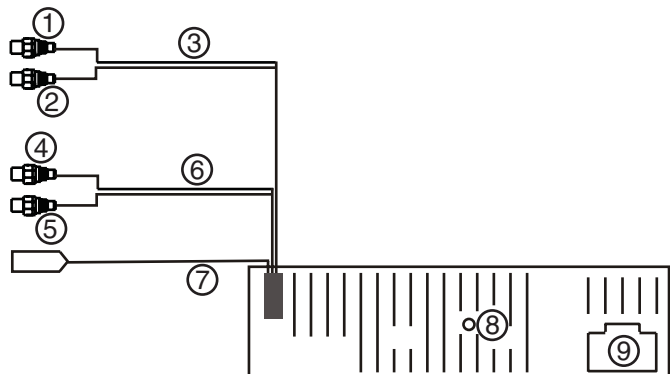
#	Botón	Descripción
1	HD	Permite activar o desactivar las emisoras digitales. Cuando el indicador <b>HD-S ON</b> (HD-S ACTIVADO) aparezca en la pantalla LCD y esté buscando una emisora, su unidad de CD para auto buscará entre las emisoras digitales. Cuando el indicador <b>HD-S OFF</b> (HD-S DESACTIVADO) aparezca en la pantalla LCD y esté buscando una emisora, su unidad de CD para auto buscará entre las emisoras normales.
2	MODO	Permite seleccionar el modo de audio. Puede seleccionar el modo de radio, modo de reproducción de CD, o un modo auxiliar (fuente de entrada externa).
3	SEL/MENÚ	Presione brevemente una o más veces para seleccionar la opción de sonido que desea ajustar y presione ▲ o ▼ para ajustar la opción. Mantenga presionado para activar o desactivar el reloj o la alarma.
4	BANDA	En el modo de radio, permite seleccionar la banda de radio.



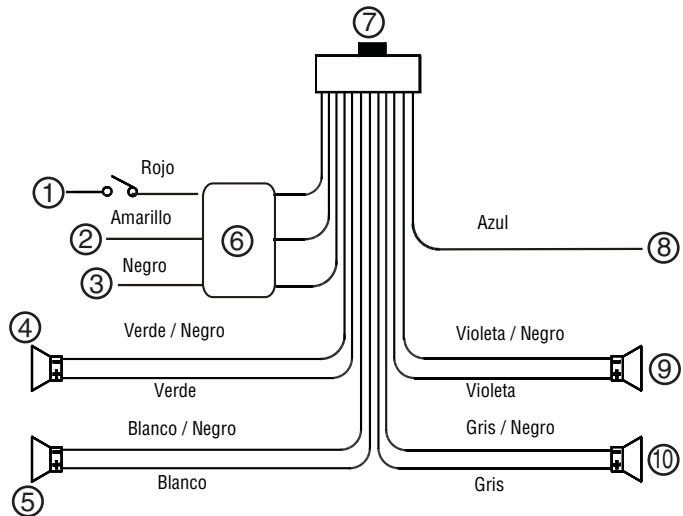
#	Botón	Descripción
12	▶▶	En el modo de radio, permite seleccionar la siguiente emisora adyacente. Mantenga presionado el botón para seleccionar una emisora manualmente. En el modo de reproducción de CD, permite seleccionar la siguiente pista de un CD. Mantenga presionado el botón para avanzar rápidamente por un CD.
13	▼	Permite bajar el volumen.
14	ECUALIZADOR	Permite seleccionar el modo de ecualización. Puede seleccionar POP, JAZZ, CLASSIC (Clásica), NOR (Normal) o ROCK.
15	AMPLIFICACIÓN DE GRAVES	Permite activar y desactivar la función de amplificación de graves. Con esta función está activada, se intensifican los tonos de audio más bajos (los graves). Esto le permite escuchar a los graves sin subir el volumen.
16	SILENCIAR	Permite silenciar el sonido. Presione el botón de nuevo para restaurar el sonido.

## Instalación de su unidad de CD para auto

### Conexiones de los cables



1	Izquierdo (blanco)
2	Derecho (rojo)
3	RCA frontal (gris oscuro)
4	Izquierdo (blanco)
5	Derecho (rojo)
6	RCA posterior (gris claro)
7	Receptáculo de antena
8	Agujeros de tornillos
9	Conector de salida

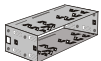
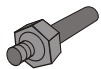


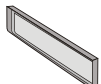
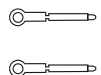
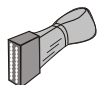
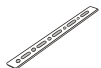


1	Llave de encendido
2	Respaldo de memoria 12 V
3	Tierra negativa
4	Altavoz posterior izquierdo
5	Altavoz frontal izquierdo
6	Caja del estérter
7	Conector de salida
8	A la antena motorizada
9	Altavoz posterior derecho
10	Altavoz frontal derecho



**Piezas**

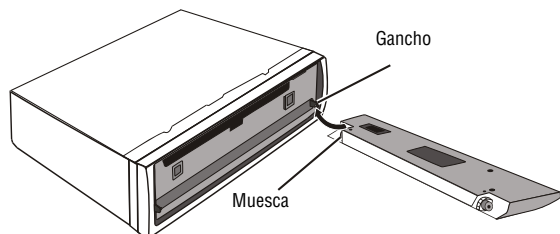
Asegúrese de que tener las siguientes piezas.

Pieza	Descripción
	Chasis de montaje (1)
	Perno de montaje posterior (1)
	Hule de arnés (1)
	Tornillos (M5 x 5)
	Marco exterior (1)
	Llaves (2)
	Alambre de conexión (1)
	Barra de acero (1)

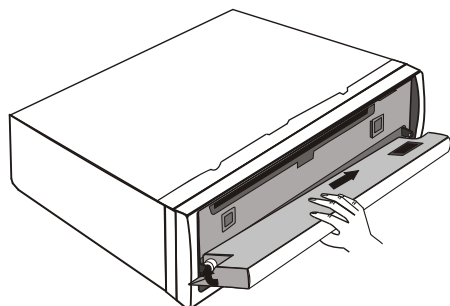
**Instalación del panel frontal**

**Para instalar el panel frontal:**

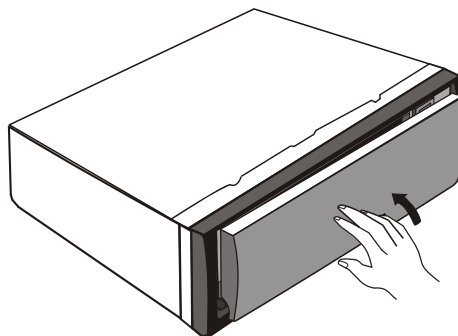
- 4 Alinee la muesca en el panel frontal con el gancho en el lado derecho de su unidad de CD para auto y empuje el panel ligeramente.



- 5 Deslice el panel ligeramente hacia la derecha.



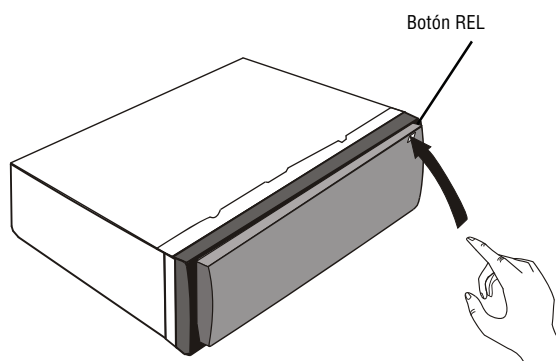
- 6 Deslice el panel hacia arriba hasta que encaje en su lugar.



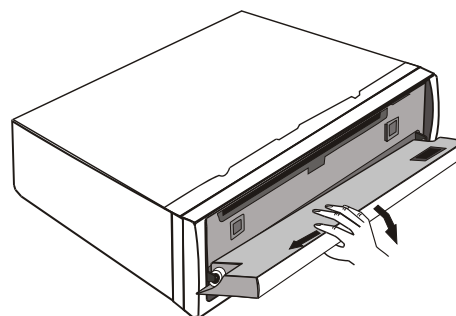
**Extracción del panel frontal**

**Para extraer el panel frontal:**

- 1 Presione el botón REL para liberar el panel frontal.



- 2 Tire del panel frontal hacia usted hasta que se encuentre en un ángulo de 45° y deslícelo hacia la izquierda para extraerlo.



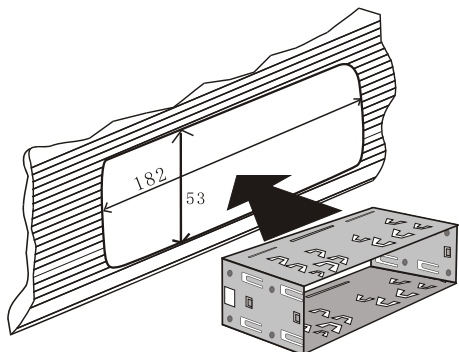
## Cómo instalar su unidad para automóvil

Hay dos métodos para instalar su unidad de CD para auto en el tablero frontal del vehículo:

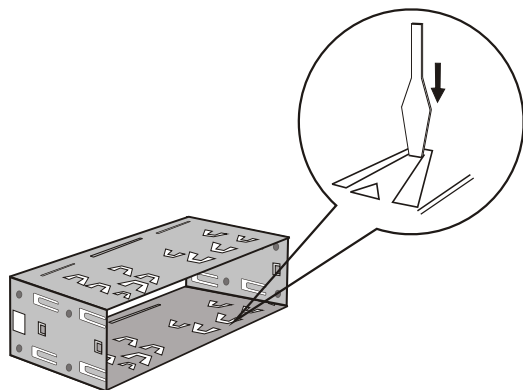
### Montaje frontal DIN

Para instalar su unidad de CD para auto usando el método DIN de montaje frontal:

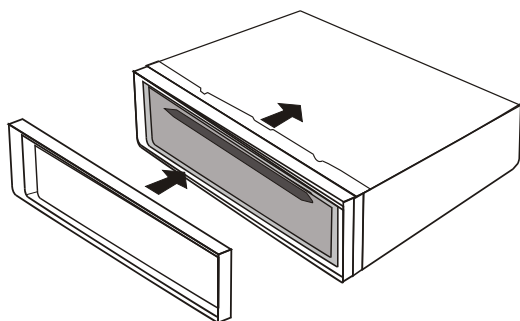
- 1 Deslice el chasis de montaje en la abertura en el tablero del vehículo.



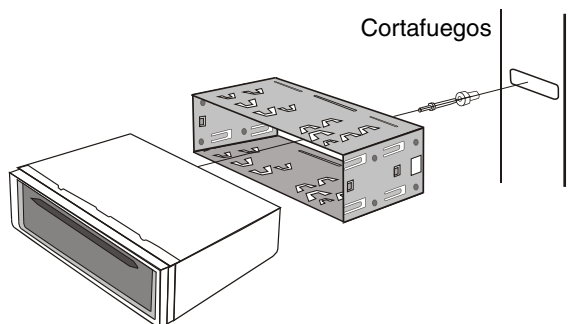
- 2 Si es necesario, doble las pestañas de montaje para que el chasis esté apretado.



- 3 Instale el marco exterior.

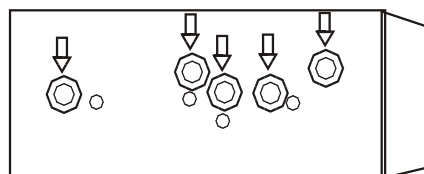


- 4 Deslice su unidad de CD para auto en el chasis de montaje.



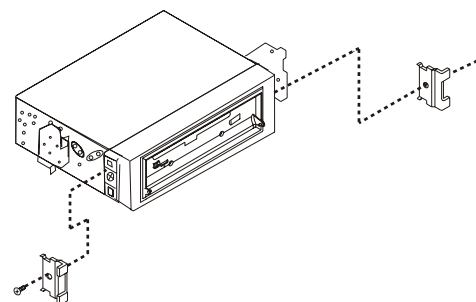
### Montaje lateral con tornillos

La siguiente ilustración muestra los lugares de los agujeros para tornillos en el lado de su unidad de CD para auto.

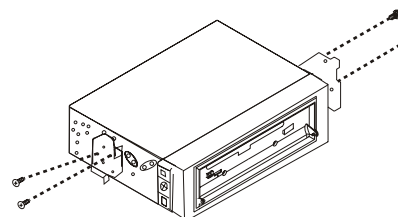


Para instalar su unidad de CD para auto usando el método de montaje lateral con tornillos:

- 1 Remueva los ganchos de ambos lados de su unidad de CD para auto.
- 2 Remueva los soportes de su unidad de CD para auto.



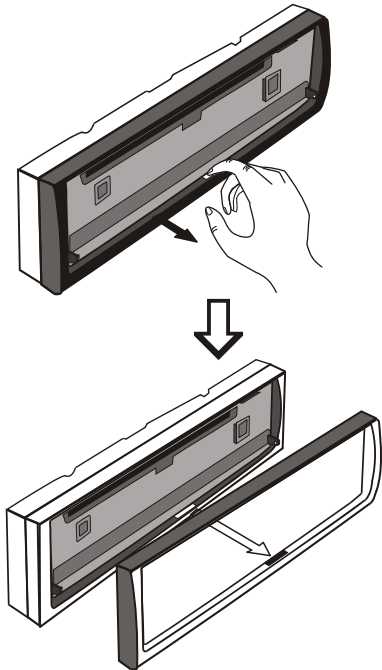
- 3 Alinee los agujeros para tornillos a los lados de su unidad de CD para auto con los agujeros para tornillos en el soporte de montaje del vehículo y apriete los tornillos.



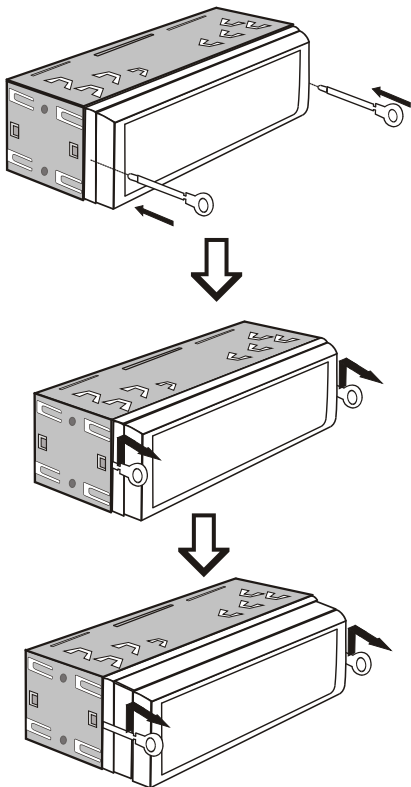
## Extracción de su unidad de CD para auto

Para extraer su unidad de CD para auto:

- 1 Extraiga el panel frontal. Para obtener más información, refiérase a "Extracción del panel frontal" en la página 31.
- 2 Extraiga el marco exterior.



- 3 Inserte las llaves suministradas en las aberturas en ambos lados de su unidad de CD para auto y tire de las llaves hacia delante para extraer su unidad de CD para auto del tablero frontal del vehículo.



## Usando su unidad para auto

### Encendiendo y apagando su unidad de CD para auto

Para encender y apagar su unidad de CD para auto:

- Presione brevemente el botón **PWR** (Encendido) para encender/apagar.

### Ajuste del volumen

Para ajustar el volumen:

- Presione **▼** o **▲** en el control remoto o presione **VOL-** o **VOL+** en su unidad de CD para auto para bajar o subir el volumen.

**Nota**

Puede mantener presionado el botón **PWR** (Encendido) para mostrar el nivel de volumen actual.

- Presione **MUTE** (Silenciar) para silenciar el sonido. Presione **MUTE** (Silenciar) de nuevo para restaurar el sonido.

### Ajustando la configuración del sonido

Para ajustar la configuración del sonido:

- 1 Presione el botón **SEL** una o más veces para seleccionar la configuración de sonido que desea ajustar. Se puede seleccionar:
  - **VOL** – Ajusta el volumen.
  - **BAS** (Graves) – Ajusta los graves.
  - **TRE** (Agudos) – Ajusta los agudos.
  - **FAD** (Atenuador) – Ajusta el balance entre los altavoces frontales y los posteriores).
  - **BAL** (Balance) – Ajusta el balance entre los altavoces.
- 2 Presione **▼** o **▲** en el control remoto o gire la perilla de volumen en su unidad de CD para auto para ajustar la opción.

**Nota**

Si no ajusta la configuración dentro de cinco segundos de seleccionar el ajuste, su unidad de CD para auto regresará automáticamente al modo actual.

### Seleccionando el modo de ecualizador

**Nota**

Solo puede seleccionar un modo de ecualizador con el control remoto.

Para seleccionar el modo de ecualizador:

- Presione **EQ** (Ecualizador) una o más veces para seleccionar el modo de ecualizador que guste. Se puede seleccionar **POP**, **JAZZ**, **CLASSIC** (Clásica), **NOR** (Normal) o **ROCK**.

## Activando y desactivando la función de amplificación de graves

Con la función de amplificación de graves está activada, se intensifican los tonos de audio más bajos (los graves). Esto le permite escuchar a los graves sin subir el volumen.

**Nota**

Sólo puede desactivar y activar la función de amplificación de graves con el control remoto.

### Para activar y desactivar la función de amplificación de graves:

- Presione **LOUD** (Amplificación de graves).

## Activando o desactivando el reloj o la alarma

### Para activar o desactivar el reloj o la alarma con el control remoto:

- 1 Mantenga presionado el botón **SEL/MENU** por dos segundos para mostrar la pantalla de reloj/alarma y presione **SEL/MENU** una o más veces para seleccionar **CLOCK ON** (Reloj activado) o **BEEP ON** (Pitido activado).
- 2 Presione **▲** para seleccionar **ON** (Activado) o **▼** para seleccionar **OFF** (Desactivado).

## Mostrando la hora

### Para mostrar y ajustar la hora:

- Presione el botón **DISP** (Visualización). La hora actual se muestra. Presione este botón nuevamente para cerrar la pantalla.

## Ajustando la hora

### Para ajustar la hora:

- 1 Mantenga presionado el botón **DISP** (Pantalla) hasta que los dos puntos (:) en medio de la hora comenzará a parpadear.
- 2 Presione **◀** en el control remoto o **◀◀** en su unidad de CD para auto para ajustar la hora.
- 3 Presione **▶** en el control remoto o **▶▶** en su unidad de CD para auto para ajustar los minutos.

## Selección del modo de audio

### Para seleccionar el modo de audio:

- Presione **MOD** (Modo) para seleccionar **RADIO**, **CD**, o **AUX**.

## Restableciendo su unidad de CD para auto

Necesitará restablecer su unidad de CD para auto cuando:

- Lo instale por primera vez.
- Reemplace la batería del vehículo.
- Ve errores en la pantalla LCD.

**Nota**

Cuando restablece su unidad de CD para auto, se borrará el ajuste del reloj y otras funciones memorizadas.

### Para restablecer su unidad de CD para auto:

- Habrá el panel frontal y presione **RESET** (Restablecer).

## Usando la radio

### Seleccionando la banda de radio

#### Para seleccionar la banda de radio:

- 1 Asegúrese de que se encuentra en el modo de radio.
- 2 Presione el botón **BND** (Banda) una o más veces para seleccionar la banda de radio. Se puede seleccionar **F1**, **F2**, **F3**, **A1** o **A2**. **F1** a **F3** son bandas de FM. **A1** y **A2** son bandas de AM.

### Sintonización automática de una emisora de radio

#### Para sintonizar automáticamente una emisora de radio:

- 1 Asegúrese de que se encuentra en el modo de radio.
- 2 Presione brevemente el botón **◀** o **▶** en el control remoto o **◀◀** o **▶▶** en su unidad de CD para auto. El indicador **AUTO** aparecerá en la pantalla LCD y su unidad de CD para auto buscará la siguiente emisora con señal.

### Sintonización manual de una emisora de radio

#### Para sintonizar manualmente una emisora de radio:

- 1 Asegúrese de que se encuentra en el modo de radio.
- 2 Mantenga presionado el botón **◀** o **▶** en el control remoto o **◀◀** o **▶▶** en su unidad de CD para auto. El indicador **MANUAL** aparece en la pantalla LCD.
- 3 Presione brevemente el botón **◀** o **▶** en el control remoto o **◀◀** o **▶▶** en su unidad de CD para auto una o más veces para sintonizar la emisora que guste.

### Escaneando automáticamente las emisoras

**Nota**

Sólo puede escanear las emisoras con el control remoto.

#### Para escanear automáticamente las emisoras:

- 1 Presione **SCAN** (Escanear). Su unidad de CD para auto escaneará una estación con señal y reproducir a cinco segundos de la emisora antes de sintonizar la siguiente emisora.
- 2 Cuando escuche una emisora que desea escuchar, presione **SCAN** de nuevo.

### Guardando emisoras

Puede guardar hasta seis emisoras por cada banda de radio.

#### Para memorizar emisoras:

- 1 Asegúrese de que se encuentra en el modo de radio.
- 2 Seleccione la banda de radio que tiene la emisora que desea guardar.

- 3 Sintonice la emisora que desea guardar.
- 4 Presione el botón **AMS** en el control remoto o un botón de número de emisora programada (1 al 6) en su unidad de CD para auto por más de tres segundos. La emisora queda almacenada en la memoria.

### Escaneando emisoras programadas

Puede escanear las emisoras programadas. Su unidad de CD para auto reproduce cinco segundos de cada emisora programada antes de ir a la siguiente emisora programada.

**Nota**

Sólo puede escanear las emisoras programadas con el control remoto.

**Para escanear emisoras programadas:**

- 1 Asegúrese de que se encuentra en el modo de radio.
- 2 Seleccione la banda de radio que tiene las emisoras programadas que desea escanear.
- 3 Presione el botón **AMS** en el control remoto para comenzar a escanear. Su unidad de CD para auto reproduce cinco segundos de cada emisora programada antes de ir a la siguiente emisora programada.
- 4 Cuando escuche una emisora que desea escuchar, presione **AMS** de nuevo.

### Activando y desactivando las emisoras digitales (HD)

**Para activar o desactivar las emisoras digitales (HD):**

- 1 Asegúrese de que se encuentra en el modo de radio.
- 2 Mantenga presionado el botón **HD** hasta que la pantalla LCD muestre el indicador **HD-S ON** (HD-S Activado) o **HD-S OFF** (HD-S Desactivado).

Cuando se muestra el indicador **HD-S ON** en la pantalla LCD, se sintonizan y escanean emisoras en la banda digital.

## Uso del reproductor de CD

### Discos reproducibles

Su unidad de CD para auto puede reproducir los siguientes discos:

Tipo de disco	Etiqueta	Formato	Tamaño
CD		Audio	12 cm
MP3		Audio	12 cm

### Reproducción de un CD

**Para reproducir un CD:**

- 1 Asegúrese de que se encuentra en el modo de reproducción de CD.
- 2 Presione el botón **REL** (Liberar) en su unidad de CD para auto para abrir el panel frontal.
- 3 Inserte un CD, con la etiqueta hacia arriba en la ranura para CDs. El CD comenzará a reproducirse automáticamente.

### Control de la reproducción de CD

**Para controlar la reproducción del CD:**

- Para pausar la reproducción, presione **⏸**. Para reanudar la reproducción, presione nuevamente este botón.
- Para volver a reproducir la pista actual, presione el botón **◀** en el control remoto o **⏮** en su unidad de CD para auto.
- Para volver a reproducir la pista anterior, presione el botón **◀** en el control remoto o presione dos veces el botón **⏮** en su unidad de CD para auto.
- Para reproducir la siguiente pista, presione el botón **▶** en el control remoto o **⏭** en su unidad de CD para auto.
- Para retroceder rápidamente, mantenga presionado el botón **◀** en el control remoto o **⏮** en su unidad de CD para auto. Suelte el botón cuando llegue a la pista que desea reproducir.
- Para avanzar rápidamente, mantenga presionado el botón **▶** en el control remoto o **⏭** en su unidad de CD para auto. Suelte el botón cuando llegue a la pista que desea reproducir.
- Para buscar una pista, presione el botón **INT**. Su unidad de CD para auto reproducirá los primeros 10 segundos de cada pista. Cuando escuche la pista que desea reproducir, presione este botón de nuevo.
- Para reproducir la misma pista repetidamente, presione el botón **RPT**. Para detener la reproducción repetida, presione este botón de nuevo.
- Para reproducir las pistas en orden aleatorio, presione **RDM** (Aleatorio). Para reanudar la reproducción normal, presione este botón de nuevo.

### Seleccionando un archivo MP3

Si el CD que está reproduciendo tiene múltiples archivos MP3, puede seleccionar el archivo que desea reproducir.

**Para seleccionar un archivo MP3:**

- Mientras se reproduce el CD, presione el botón **▼** o **▲** en el control remoto o **ARRIBA** o **ABAJO** en su unidad de CD para auto para seleccionar el archivo que desea reproducir.

### Mostrando información de MP3

**Para mostrar información de MP3:**

- Mientras se reproduce el CD, presione **DISP** (Visualización) una o más veces para mostrar la hora actual, nombre de la pista, nombre del directorio y la información de ID3.



## Expulsando un CD

### Para expulsar un CD:

- 1 Presione el botón **REL** (Liberar) en su unidad de CD para auto para abrir el panel frontal.
- 2 Presione el botón **▲** para expulsar el CD.

## Localización y corrección de fallas

Problema	Solución
La unidad no enciende.	Revise el fusible. Si se quema el fusible, reemplácelo con un fusible de la misma capacidad.
La pantalla LCD muestra información incorrecta o no muestra ninguna información.	Extraiga el panel frontal y presione <b>RESET</b> (Restablecer).
No puede reproducir emisoras de radio	Asegúrese de que la antena del vehículo esté correctamente conectada y asegurada. Asegúrese de que se encuentra en el modo de radio.
La recepción de emisoras de radio es deficiente.	Asegúrese de que la antena del vehículo esté completamente extendida. Si la antena no sirve, reemplácela. Asegúrese de que la antena del vehículo esté conectada a tierra correctamente.
No se puede insertar un CD.	Asegúrese de que no haya un CD en el reproductor de CD.
El sonido se salta.	El CD está sucio o dañado.

### Nota

Si las soluciones anteriores no resuelven el problema, póngase en contacto con personal de servicio autorizado.  
No intente reparar su unidad de CD para auto usted mismo.

## Mantenimiento

### Reemplace el fusible

Asegúrese de que el fusible de reemplazo es de la misma capacidad del fusible original. Si reemplaza un fusible y el fusible de reemplazo se quema, póngase en contacto con personal de servicio autorizado.

### Cuidado

Nunca use un fusible con una capacidad que sea mayor que la del fusible original, o puede dañar su unidad de CD para auto.

### Limpieza del conector

Si el conector entre su unidad de CD para auto y el panel frontal se ensucia, su unidad de CD para auto puede funcionar erróneamente o dejar de funcionar completamente.

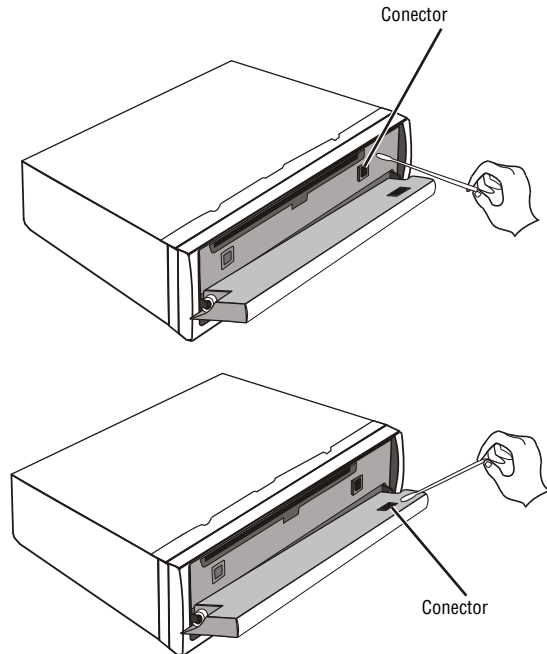
#### Para limpiar el conector:

- 1 Apague el vehículo y saque la llave de la ignición.
- 2 Extraiga el panel frontal. Para obtener más información, refiérase a "Extracción del panel frontal" en la página 31.

- 3 Use un hisopo de algodón para limpiar delicadamente el conector en su unidad de CD para auto y el panel frontal. Tenga cuidado de no dañar el conector.

### Cuidado

No toque el conector con sus dedos o un objeto metálico. Podría dañar el conector.

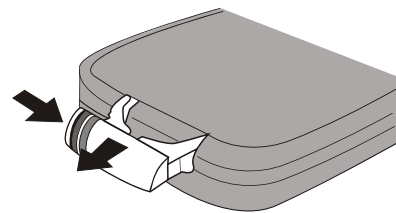


### Reemplazo de la pila del control remoto

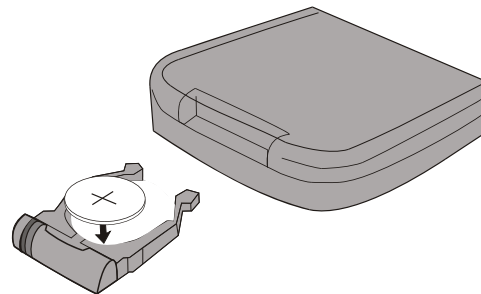
La batería de reemplazo deberá ser una pila de celda de botón (CR2025).

#### Para reemplazar la pila del control remoto:

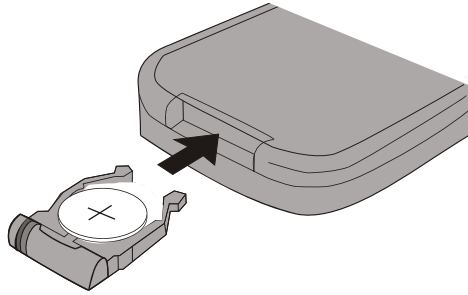
- 1 Mientras presione el seguro de liberación, tire delicadamente del portapilas para sacarlo del control remoto.



- 2 Extraiga la pila antigua y coloque la nueva pila en el portapilas con el lado + hacia arriba.



**3** Deslice el portapilas en el control remoto.



**Precauciones relacionadas a las pilas**

**Advertencia**

- El manejo incorrecto de la pila puede resultar en una explosión.
- La pila no se puede recargar.
- No intente desmontar la pila.
- No tire la pila al fuego.

- Siempre mantenga las pilas fuera del alcance de los niños. En caso de ingestión de la pila, comuníquese con un médico inmediatamente.
- Para asegurar el mejor rendimiento, limpie la pila con un paño seco antes de instalarla.
- Asegúrese de que el lado + de la pila esté hacia arriba.
- No toque la pila con un objeto metálico, tal como tenazas, ya que puede causar un cortocircuito eléctrico.

**Manejo de los discos**

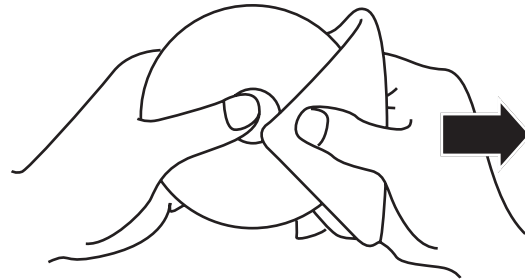
Un disco sucio, rayado o doblado puede causar ruido o saltos en la reproducción.

**Para cuidar los discos:**



- Sujete los discos por los bordes.
- Guarde los discos en sus estuches cuando no los esté usando.
- No exponga los discos a la luz solar directa, humedad alta, temperatura alta o polvo. La exposición prolongada a temperaturas extremas puede deformar los discos.
- No pegue etiquetas ni cinta adhesiva sobre los discos.

**Para limpiar un disco:**



- Con un paño suave, limpie el disco desde el centro hacia el borde exterior.

**Cuidado**  
No use detergente o agentes limpiadores abrasivos ya que estos productos dañarán la superficie del disco.

**Especificaciones**

Las especificaciones están sujetas a cambio sin aviso previo.

**General**

Requisitos de alimentación	14.4 V CC (11-16 V permisible)
Impedancia de carga	4Ω
Potencia máxima de salida	40 W x 4
Controles de tono	± 10 dB Graves 100 Hz
Dimensiones (aproximadamente)	7.56 x 7 x 1.97 pulgadas (192 x 178 x 50 mm)
Dimensiones de montaje (aproximadamente)	6.65 x 7.17 x 2.09 pulgadas (169 x 182 x 53 mm)
Peso	3.86 lb (1.75 kg)

**FM**

Rango de sintonización	87.5 a 107.9 MHz (En los Estados Unidos)
Rango de IF	10.7 MHz
Sensibilidad utilizable	10 dB μV (-30 dB)
Relación señal-ruido	60 dB
Separación de estéreo	30 dB (1 kHz)
Respuesta en frecuencia	30 a 15000 Hz

**AM**

Rango de frecuencia	530 a 1710 kHz (En los Estados Unidos)
Rango de IF	450 kHz
Sensibilidad utilizable	28 dB μV (-20 dB)

**Reproductor de CD**

Relación señal-ruido	65 dB
Separación	60 dB (1 kHz)
Distorsión	0.1%

## Avisos legales

### FCC Parte 15

Este dispositivo satisface la parte 15 del reglamento FCC. La operación de este producto está sujeta a las dos condiciones siguientes: (1) Este dispositivo no puede causar interferencia dañina, y (2) este dispositivo debe aceptar cualquier interferencia recibida incluyendo interferencias que puedan causar una operación no deseada.

Este equipo ha sido sometido a prueba y se ha determinado que satisface los límites establecidos para ser clasificado como dispositivo digital de la Clase B de acuerdo con la Parte 15 del reglamento FCC. Estos límites están diseñados para proporcionar una protección razonable contra interferencias dañinas en un ambiente residencial. Este equipo genera, usa y puede emitir energía de radiofrecuencia, y si no se instala y usa de acuerdo con las instrucciones, puede causar interferencias perjudiciales a las comunicaciones de radio. Sin embargo, no se garantiza que no ocurrirá interferencia en una instalación particular. Si este equipo causa interferencias perjudiciales en la recepción de la señal de radio o televisión, lo cual puede comprobarse encendiendo y apagando el reproductor alternativamente, se recomienda al usuario corregir la interferencia mediante uno de los siguientes procedimientos:

- Cambie la orientación o la ubicación de la antena receptora.
- Aumente la distancia entre el equipo y el receptor.
- Conecte el equipo a un tomacorriente de un circuito distinto de aquel al que está conectado el receptor.
- Solicite consejo al distribuidor o a un técnico calificado para obtener ayuda.

### Advertencia de la FCC

Cualquier cambio o modificación que no esté aprobado expresamente por la parte responsable por el cumplimiento con el reglamento de FCC puede anular la autoridad del usuario para operar este equipo.

### Derechos de reproducción

© 2007 Insignia. Insignia y el logotipo de Insignia son marcas comerciales de Best Buy Enterprise Services, Inc. Otras marcas y nombres de productos son marcas comerciales o marcas registradas de sus dueños respectivos. Las especificaciones y características están sujetas a cambio sin aviso previo u obligación.

Para reparación y soporte llamar al (877) 467-4289.



## Garantía limitada de 90 días

Insignia Products ("Insignia") le garantiza a usted, el comprador original de este nuevo **NS-C5112** ("Producto"), que éste se encontrará libre de defectos de material o de mano de obra en su fabricación original por un período de 90 (noventa) días a partir de la fecha de compra del Producto ("Período de Garantía"). Este Producto debe ser comprado en un distribuidor autorizado de productos Insignia y empaçado con esta declaración de garantía. Esta garantía no cubre Productos reacondicionados. Si notifica a Insignia durante el Período de Garantía sobre un defecto cubierto por esta garantía que requiere reparación, los términos de esta garantía se aplican.

### ¿Cuánto dura la garantía?

El Período de Garantía dura por 90 (noventa) días a partir de la fecha en que compró el Producto. La fecha de compra se encuentra impresa en el recibo que recibió con el Producto.

### ¿Qué es lo que cubre esta garantía?

Durante el Período de Garantía, si un centro de reparación autorizado de Insignia concluye que la fabricación original del material o la mano de obra del Producto se encuentran defectuosos Insignia (cómo su opción exclusiva): (1) reparará el Producto con repuestos nuevos o reacondicionados; o (2) reemplazará el Producto con uno nuevo o con uno reacondicionado con repuestos equivalentes. Los Productos y repuestos reemplazados bajo esta garantía se volverán propiedad de Insignia y no se le regresarán a usted. Si se requiere la reparación de Productos o partes después de que se vence el Período de Garantía, usted deberá pagar todos los costos de mano de obra y de repuestos. Esta garantía estará vigente con tal que usted sea el dueño de su producto Insignia durante el período de garantía. El alcance de la garantía se termina si usted vende o transfiere el producto.

### ¿Cómo se obtiene la reparación de garantía?

Si ha comprado el Producto en una tienda de ventas, lleve su recibo original y el Producto a la tienda en donde lo compró. Asegúrese de que vuelva a colocar el Producto en su empaque original o en un empaque que provea la misma protección que el original. Si compró el Producto en un sitio Web, envíe por correo su recibo original y el Producto a la dirección postal listada en el sitio Web. Asegúrese de colocar el Producto en su empaque original o en un empaque que provea la misma protección que el original.

Para obtener servicio de garantía a domicilio para un televisor con una pantalla de 25 pulgadas o más, llame al 1-888-BESTBUY. El soporte técnico diagnosticará y corregirá el problema por teléfono o enviará un técnico certificado por Insignia a su casa.

### ¿En dónde es válida la garantía?

Esta garantía sólo es válida al comprador original del producto en los Estados Unidos y en Canadá.

### ¿Qué es lo que no cubre la garantía?

Esta garantía no cubre:

- Capacitación del cliente
- Instalación
- Ajuste de configuración
- Daños cosméticos
- Daños debido a actos de la naturaleza, tal cómo rayos
- Accidentes
- Mal uso
- Abuso
- Negligencia
- Uso comercial
- Modificación de alguna parte del Producto, incluyendo la antena
- Un panel de pantalla de plasma dañado por la persistencia de imágenes estáticas (sin movimiento), mostradas por periodos de tiempo extendido (efecto "burn-in").

Esta garantía tampoco cubre:

- Daño debido al uso o mantenimiento incorrecto
- La conexión a una fuente de voltaje incorrecta
- El intento de reparación por alguien que no sea una compañía autorizada por Insignia para reparar el Producto
- Productos vendidos tal cual (en el estado en que se encuentran) o con todas sus fallas

- Productos consumibles, tal cómo fusibles o baterías
- Productos en los cuales el número de serie asignado en la fábrica ha sido alterado o removido

EL REEMPLAZO DE REPARACIÓN SEGÚN PROVISTO BAJO ESTA GARANTÍA ES SU ÚNICO RECURSO. INSIGNIA NO SERÁ RESPONSABLE POR DAÑOS INCIDENTALES O CONSECUENTES DEBIDO AL INCUMPLIMIENTO DE CUALQUIER GARANTÍA EXPRESA O IMPLÍCITA RELACIONADA CON ESTE PRODUCTO, INCLUYENDO PERO SIN LIMITARSE A LA PÉRDIDA DE INFORMACIÓN, LA PÉRDIDA DE NEGOCIOS O DE GANANCIAS. INSIGNIA PRODUCTS NO HACE NINGUNA OTRA GARANTÍA EXPRESA E IMPLÍCITA RELACIONADA A ESTE PRODUCTO, INCLUYENDO PERO SIN LIMITARSE A, CUALQUIER GARANTÍA IMPLÍCITA DE O CONDICIONES DE COMERCIALIZACIÓN O IDONEIDAD PARA UN USO PARTICULAR, ESTÁN LIMITADAS EN DURACION AL PERÍODO DE GARANTÍA DECLARADO ANTERIORMENTE Y NINGUNA GARANTÍA YA SEA EXPRESA O IMPLÍCITA SE APLICARÁ DESPUÉS DEL PERÍODO DE GARANTÍA. ALGUNOS ESTADOS, PROVINCIAS Y JURISDICCIONES NO PERMITEN RESTRICCIONES EN CUANTO A LA DURACIÓN DE UNA GARANTÍA IMPLÍCITA, ASÍ QUE LA RESTRICCIÓN ANTERIOR PUEDE NO APLICARSE EN SU CASO. ESTA GARANTÍA LE DA DERECHOS LEGALES ESPECÍFICOS, Y USTED PUEDE POSEER OTROS DERECHOS QUE VARIAN DE ESTADO A ESTADO, O DE PROVINCIA A PROVINCIA.

Comuníquese con Insignia:

Para servicio al cliente favor llamar al 1-877-467-4289

[www.insignia-products.com](http://www.insignia-products.com)

INSIGNIA™ es una marca comercial de Best Buy Enterprise Services, Inc.

Distribuido por Best Buy Purchasing, LLC

Insignia, 7601 Penn Avenue South, Richfield, Minnesota, U.S.A.







[www.insignia-products.com](http://www.insignia-products.com) (877) 467-4289

Distributed by Best Buy Purchasing, LLC  
7601 Penn Avenue South, Richfield, MN USA 55423-3645  
© 2007 Best Buy Enterprise Services, Inc.

All rights reserved. INSIGNIA is a registered trademark of Best Buy Enterprise Services, Inc.  
All other products and brand names are trademarks of their respective owners.

Distribué par Best Buy Purchasing, LLC  
7601 Penn Avenue South, Richfield, MN USA 55423-3645  
© 2007 Best Buy Enterprise Services, Inc.

Tous droits réservés. INSIGNIA est une marque déposée de Best Buy Enterprise Services, Inc.  
Tous les autres produits ou noms de marques sont des marques de commerce qui appartiennent à leurs propriétaires respectifs.

Distribuido por Best Buy Purchasing, LLC  
7601 Penn Avenue South, Richfield, MN USA 55423-3645  
© 2007 Best Buy Enterprise Services, Inc.

Todos los derechos reservados. INSIGNIA es una marca registrada de Best Buy Enterprise Services, Inc.  
Todos los demás productos y marcas son marcas comerciales de sus respectivos dueños.

## Free Manuals Download Website

<http://myh66.com>

<http://usermanuals.us>

<http://www.somanuals.com>

<http://www.4manuals.cc>

<http://www.manual-lib.com>

<http://www.404manual.com>

<http://www.luxmanual.com>

<http://aubethermostatmanual.com>

Golf course search by state

<http://golfingnear.com>

Email search by domain

<http://emailbydomain.com>

Auto manuals search

<http://auto.somanuals.com>

TV manuals search

<http://tv.somanuals.com>