

# User Guide



Car HD Radio CD Deck with USB Port

**NS-HD5113**



## Contents

---

Welcome .....	1
Safety information .....	1
Important safeguards .....	1
Features .....	2
.....	2
Front panel and base unit .....	2
Remote control .....	4
Installing your car HD radio CD deck .....	4
Installation method 1 - DIN front mount .....	4
Installation method 2 - screw mount .....	5
Wiring your car HD radio CD deck .....	5
Removing the CD deck (DIN installation) .....	5
Installing the front panel .....	5
Using your car HD radio CD deck .....	6
Using the HD radio CD deck - basic operation .....	6
Setting the time .....	7
Using the CD player .....	7
Using the radio .....	8
Playing your iPod through your HD radio CD deck .....	8
Using iTAG .....	8
Using your car HD radio CD deck in the AUX mode .....	8
Troubleshooting .....	9
Playable discs .....	9
Maintaining your system .....	9
Replacing the fuse .....	9
Replacing the remote control battery .....	9
Cleaning the connectors .....	10
Cleaning CDs .....	10
Specifications .....	10
Legal notices .....	10
One-Year Limited Warranty .....	13

# Insignia NS-HD5113

## Car HD Radio CD Deck with USB Port

### Welcome

Congratulations on your purchase of a high-quality Insignia product. Your NS-HD5113 represents the state of the art in car HD radio CD decks and is designed for reliable and trouble-free performance.

### Safety information

#### Warning

This car HD radio CD deck is a class 1 laser product. To prevent direct exposure to the laser system, do not open the unit. The laser beam may hurt your eyes. If the deck requires adjustments, contact an authorized service center.

#### Caution

Any change or modification to your car HD radio CD deck not expressly approved by the manufacturer or its authorized parties could void your authority to operate your unit.

### Important safeguards

- **Read instructions**—Read all the safety and operating instructions before operating your car HD radio CD deck.
- **Retain instructions**—Retain the safety and operating instructions for future reference.
- **Follow warnings**—Follow all warnings on your car HD radio CD deck and in the operating instructions.
- **Follow instructions**—Follow all operating and use instructions.
- **When driving**—Keep the sound level of your car HD radio CD deck at an appropriate level. Driving with the volume at a high level could prevent you from hearing sounds outside and around the car, which could cause an accident. Stop the car before doing anything that could interfere with your driving.
- **When parked**—Parking in direct sunlight can result in very high temperature levels inside your car. Let the interior, and your car HD radio CD deck, cool down before switching the car HD radio CD deck on.
- **Cleaning**—Do not expose your car HD radio CD deck to water or excessive moisture. This could cause a short circuit, a fire, or other severe damage. Do not use liquid cleaners or aerosol cleaners. Use a damp cloth for cleaning.
- **Servicing or modifying**—Do not attempt to service your car HD radio CD deck yourself, because opening or removing covers may expose you to dangerous voltage or other hazards. Refer all servicing to qualified service personnel. Do not attempt to modify the unit, because modifying the unit may cause an accident.

- **Replacement parts**—When replacement parts are required, make sure that the service technician uses replacement parts specified by the manufacturer that have the same characteristics as the original part. Unauthorized substitutions may result in fire, electric shock, injury to persons, or other hazards.
- **Safety check**—Upon completion of any service or repairs to your car HD radio CD deck, ask the service technician to perform routine safety checks to determine that your car HD radio CD deck is in correct operating condition.
- **Connections**—Make sure that you connect the color-coded leads according to the diagram. Incorrect connections may cause the unit to malfunction or damage the vehicle's electrical system.

Make sure that you connect the speaker (-) leads to the speaker (-) terminal. Never connect the left and right channel speaker cables to each other or to the vehicle body.

Make sure that all the connections are completely correct before turning on your unit.

- **Fuses**—When replacing the fuse(s), the replacement must be of the same amperage as shown on the fuse holder.

#### Warning

Never replace any fuse with one of a higher value than the fuse supplied with your unit. Using a higher rated fuse may cause damage to your unit and/or electrical wiring.

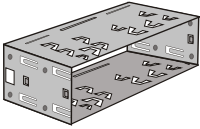




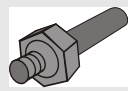
- **Heat**—Do not block vents or radiator panels. Blocking them will cause heat to build up inside and may result in fire. Do not operate the car HD radio CD deck in extremely high or low temperatures. Make sure that the temperature inside the car is between 140°F (+60°C) and 14°F (-10°C) before turning on your unit.

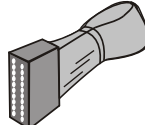
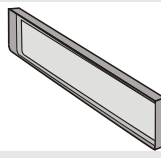
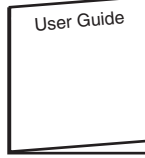
#### Caution

Do not use and store the car HD radio CD deck in a dusty, hot, or humid environment.

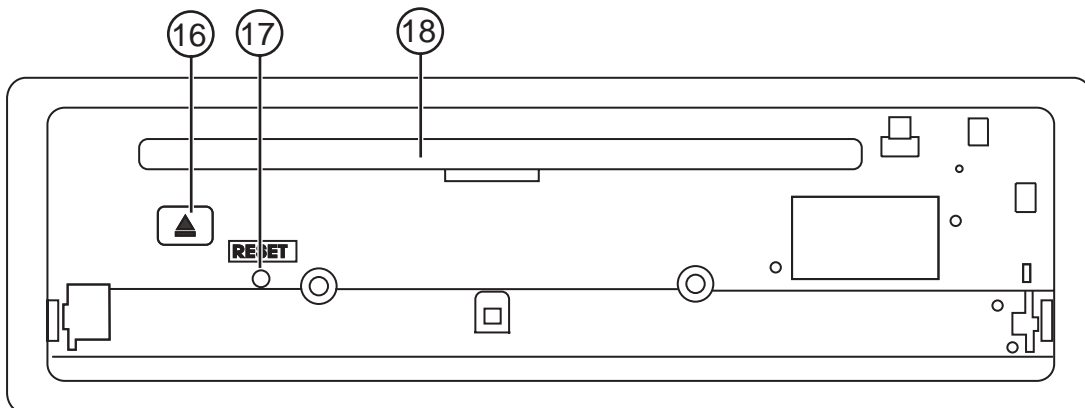
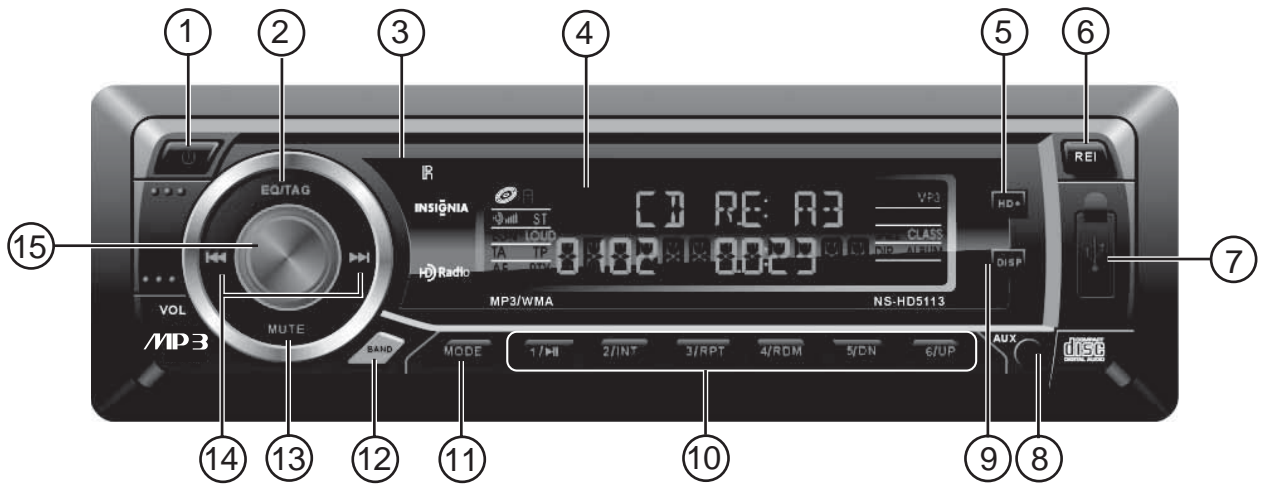
## Features





### Parts list

Item	Description
	Mounting sleeve (1)
	Back strap (1)
	M 5x5 screws (4)
	Keys (2)
	Rubber grommet for wire harness (1)
	Rear mounting bolt (1)

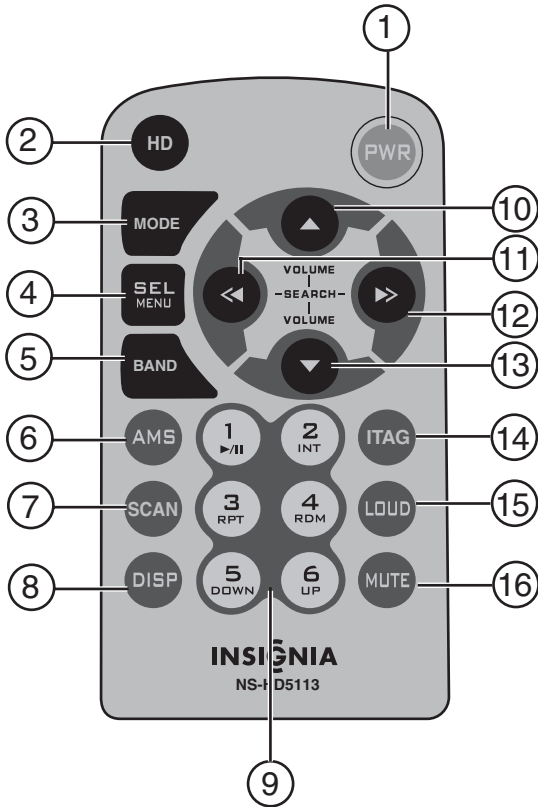
Item	Description
	Main wire harness (1)
	Outer trim frame (1)
	User Guide (1)

### Front panel and base unit



#	Description	Function
1	 (power) button	Press to turn the car HD radio CD deck on. Press again to turn it off.
2	<b>EQ/iTAG</b> button	Press briefly to select the equalization preset mode. Press and hold to iTag a selection on the radio.
3	Infrared sensor	Receives the signal from the remote control to control the CD deck.
4	LCD panel	Shows the current status of the CD deck.
5	<b>HD</b> button	Press to turn HD radio feature on or off.
6	<b>REL</b> (release) button	Press to release the front panel to insert or remove a CD or to remove the front panel from the head unit.
7	USB port	Insert a USB device into this port.
8	<b>AUX</b> In port	Plug an external audio source into the 3.5 mm port.
9	<b>DISP</b> button	Press to display the time. Press and hold <b>DISP</b> until the two dots in the middle of the clock stop blinking. Press <b>▲</b> Volume up to adjust the hours, and <b>▼</b> Volume down to adjust the minutes. See "Setting the time" on page 7.
10	Preset buttons (radio) Playback controls (CD)	In radio mode, press to access station presets in each band. In CD playback mode, press the following: <ul style="list-style-type: none"> <li>• <b>1/▶  </b> (play/pause)</li> <li>• <b>2/INT</b> (introduction)</li> <li>• <b>3/RPT</b> (repeat)</li> <li>• <b>4/RDM</b> (random)</li> <li>• <b>5/DN</b> (down)</li> <li>• <b>6/UP</b> (up)</li> </ul>
11	<b>MODE</b> button	When the car HD radio CD deck is on, press to toggle the mode between <b>TUNER, CD, USB, AUX, or iPod</b> .
12	<b>BAND</b> button	Press to switch radio bands between <b>FM1 - FM2 - FM3 - MW1 (AM1) - MW2 (AM2)</b> .
13	<b>MUTE</b> button	Press to mute the sound. Press again to restore the sound.
14	 (previous) button  (next) button	In CD mode, press to go to the previous track or next track. Press and hold for fast reverse or fast forward. In radio mode, press to search for a station. Press three times to automatically scan for the next available station.
15	<b>VOL</b> (volume) knob/ <b>SEL</b> button	Turn clockwise to increase the volume. Turn counterclockwise to decrease the volume. Press to select the sound mode you want. Choices include <b>VOL</b> (volume - default), <b>BAS</b> (bass), <b>TRE</b> (treble), <b>FAD</b> (fader), and <b>BAL</b> (balance). When you select a sound mode, turn the <b>VOL</b> knob to adjust. Press and hold for three seconds to cycle through <b>LOUD OFF, CLOCK OFF, or BEEP ON</b> . See "Using the HD radio CD deck - basic operation" on page 6 for an explanation of these features.
16	 (eject) button	Press to eject the CD after releasing the front panel.
17	<b>RESET</b> button	Press to reset the CD deck to factory settings.
18	CD slot	After releasing the front panel, insert the CD into this slot, label side up, to begin playback.

## Remote control



#	Description	Function
12	▶▶ Search forward	In radio mode, press to tune the radio to a higher frequency. Press for more than three seconds to automatically scan for stations. In CD playback mode, press to select the next track. Press and hold to search forward.
13	▼ Volume down	Press to decrease the volume.
14	ITAG button	Press to iTag a selection on the radio.
15	LOUD button	Press to activate the loudness feature.
16	MUTE button	Press to mute the sound. Press again to restore the sound.

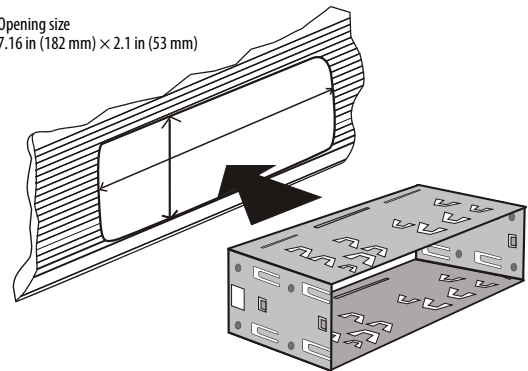
## Installing your car HD radio CD deck

### Installation method 1 - DIN front mount

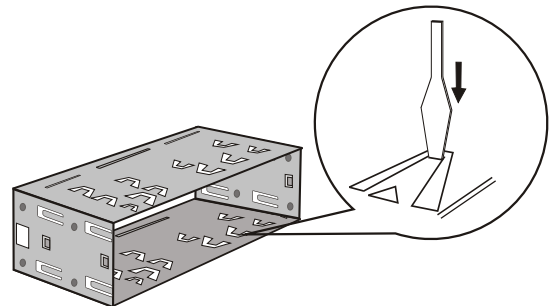
To install the car HD radio CD deck using the DIN front mount:

- Slide the mounting sleeve into the opening you have prepared in the dashboard.

Opening size  
7.16 in (182 mm) × 2.1 in (53 mm)

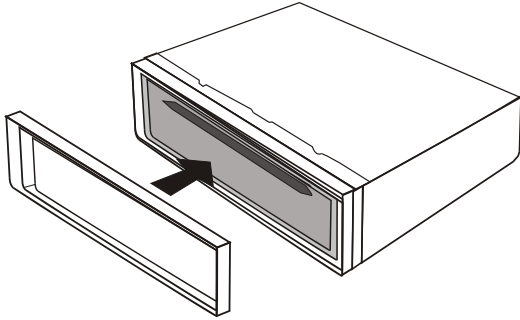


- When the mounting sleeve is in the correct position, bend several mounting *claws* outward to achieve a tight fit and lock the mounting sleeve into place.

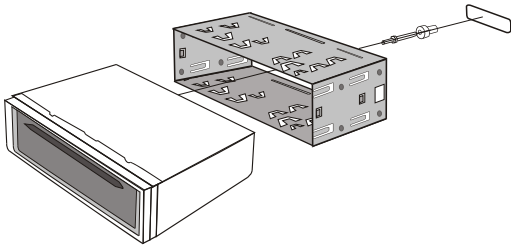


#	Description	Function
1	PWR button	Press to turn the car HD radio CD deck on. Press again to turn it off.
2	HD button	Press to turn HD radio on or off.
3	MODE button	When the car HD radio CD deck is on, press to toggle the mode between <b>TUNER</b> , <b>CD</b> , <b>USB</b> , <b>AUX</b> , and <b>iPod</b> .
4	SEL/MENU button	Press to cycle through sound modes. Choices include <b>VOL</b> (volume - default), <b>BAS</b> (bass), <b>TRE</b> (treble), <b>FAD</b> (fader), and <b>BAL</b> (balance). When you select a sound mode, turn the <b>VOL</b> knob to adjust up or down.
5	BAND button	Press to switch radio bands between <b>FM1 - FM2 - FM3 - MW1</b> (AM1) - <b>MW2</b> (AM2).
6	AMS button	In radio mode, press briefly to scan each stored station for five seconds. Press and hold to store station presets (six for each radio band).
7	SCAN button	In radio mode, press to select stations automatically.
8	DISP button	Press to display the time. Press ▲ Volume up to adjust the hours, and ▼ Volume down to adjust the minutes. See "Setting the time" on page 7. In MP3 mode, press to display ID3 information.
9	Number buttons (radio)/Playback controls (CD)	In radio mode, press to access station presets in each band. In CD playback mode, press the following: <ul style="list-style-type: none"> <li>1/▶   (play/pause)</li> <li>2/INT (introduction)</li> <li>3/RPT (repeat)</li> <li>4/RDM (random)</li> <li>5/DOWN</li> <li>6/UP</li> </ul>
10	▲ Volume up	Press to increase the volume.
11	◀◀ Search back	In radio mode, press to tune the radio to a lower frequency. Press for more than three seconds to select stations automatically. In CD playback mode, press to select the previous track. Press and hold to search backward.

- 3 Install the outer trim frame on the CD deck.



- 4 Connect the antenna, the main wire harness (see "Wiring your car HD radio CD deck" on page 5), and the rear mounting bolt (if necessary to support your CD deck). Leave the iPod wire (see "Wiring your car HD radio CD deck" on page 5) accessible.
- 5 Slide the car HD radio CD deck into the mounting sleeve until it clicks into place.



- 6 Secure the rear mounting bolt to the firewall or other sturdy support using the back strap (if necessary).

- 3 Connect the antenna, the main wire harness (see "Wiring your car HD radio CD deck" on page 5), and the rear mounting bolt (if necessary to support your CD deck). Leave the iPod wire (see "Wiring your car HD radio CD deck" on page 5) accessible.
- 4 Fasten the brackets to the mounting location in your car's dashboard or console.

### Wiring your car HD radio CD deck

Connect the wires to the back of the CD deck as shown in the following illustration. You must wire the main wiring harness prior to installing the CD deck into the dashboard.

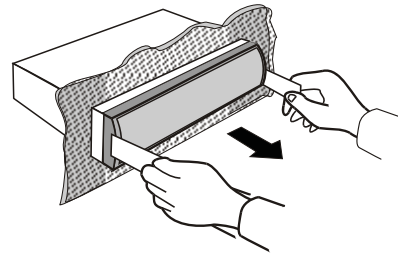
**Caution**

Be very careful to wire the main wiring harness correctly. If you wire it incorrectly, or fail to properly insulate the connections, you could damage the car HD radio CD deck, your speakers, your car, or all of the above.

### Removing the CD deck (DIN installation)

**To remove the CD deck:**

- 1 Remove the outer trim frame from the CD deck.
- 2 Insert the keys (supplied) into the sides of the CD deck (as shown) until they click and release the internal locks, then slide the deck out of the mounting sleeve.



### Installation method 2 - screw mount

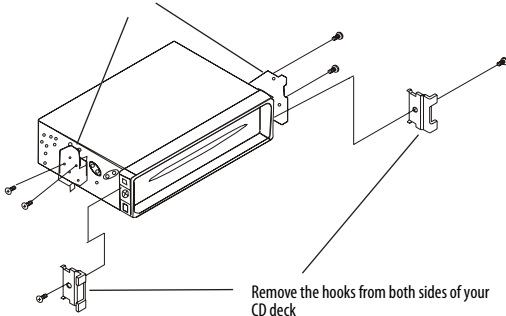
**Note**

The outer trim frame, the hooks, and the mounting sleeve are not used for this installation method.

**To install the car HD radio CD deck using the screw holes:**

- 1 Remove the hooks from the sides of your CD deck.

Brackets supplied with your car

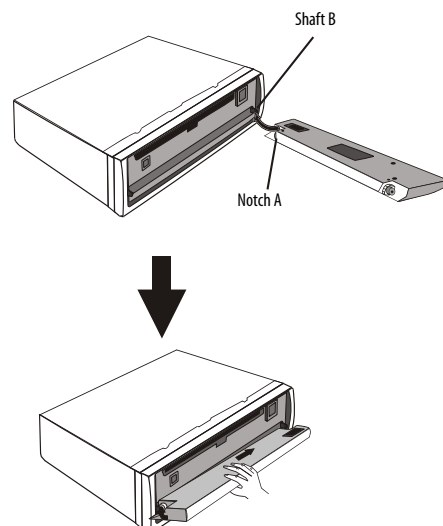


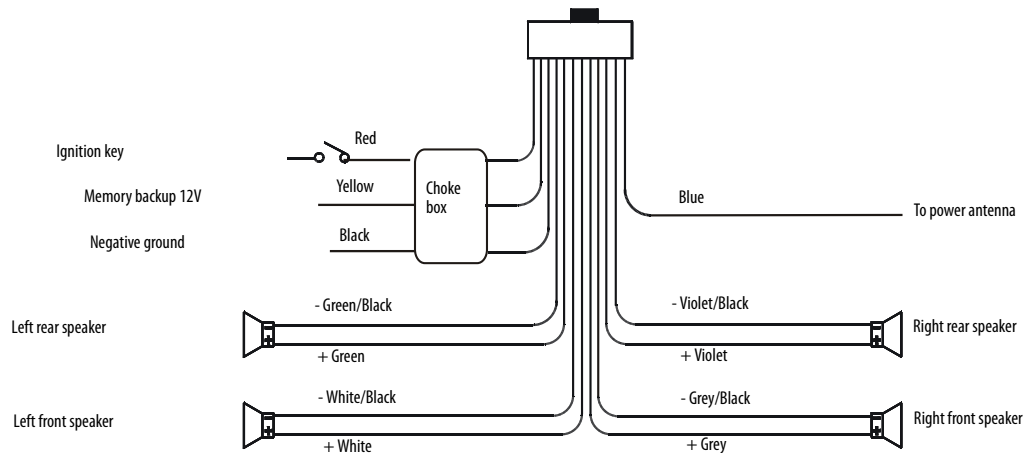
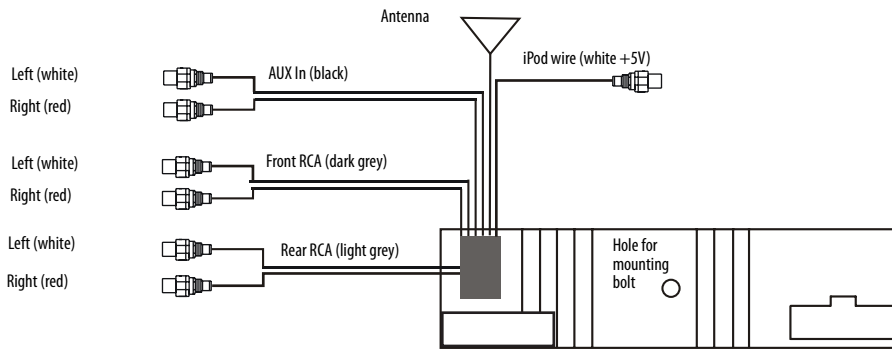
- 2 Mount the brackets to the sides of the CD deck using two screw holes on each side.

### Installing the front panel

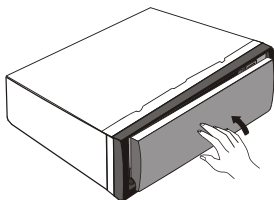
**To install the front panel:**

- 1 Put notch A onto shaft B, then press gently into the right side of the head unit.





- Slide the front panel to the right, then onto the shaft on the left side of the head unit, then rotate the front panel up until it closes.



### To remove the front panel:

- Press the **REL** button on the front panel. The panel rotates outwards on the bottom hinges.
- Slide the front panel to the right and take it off the hinge on the left side of the head unit, then remove the front panel.

## Using your car HD radio CD deck

### Note

After completing the installation, or after disconnecting or replacing your car's battery, when you are ready to use the car HD radio CD deck, open the front panel, then press the **RESET** button on the head unit with a pointed object (such as ball-point pen) to set the unit to initial status.

You can also press **RESET** if an error occurs on the **LCD**. Pressing **RESET** erases your presets and the current time on the display.

## Using the HD radio CD deck - basic operation

### To use the HD radio CD deck:

- Press **⏻** (power), or **PWR** on the remote control, to turn on the HD radio CD deck (inserting a CD or USB device also turns on the deck).
- Press **MODE** repeatedly to toggle the mode between **TUNER**, **CD**, **USB**, **AUX**, or **iPod**.
- Make the following adjustments, according to your taste:
  - Turn the **VOL/SEL** knob to adjust the volume (clockwise to increase/ counterclockwise to decrease), or press **▲** Volume up or **▼** Volume down on the remote control.
  - Press **MUTE** to mute the sound. Press again to restore the sound to the previous setting.
  - Press **LOUD** on the remote control to turn on the loudness feature. "LOUD" appears on the LCD and the low frequency of the sound is enhanced. Press **LOUD** again to turn off this feature.
  - Press **VOL/SEL** to select the sound mode you want. Choices include **VOL** (volume - default), **BAS** (bass), **TRE** (treble), **FAD** (fader), and **BAL** (balance). When you select a sound mode, turn the **VOL/SEL** knob to adjust. Pressing the **SEL/MENU** button and **▲** up or **▼** down on the remote control performs the same function.
  - Press **EQ/ITAG** to cycle through the available sound preset modes. Choices include **POP**, **JAZZ**, **CLASSIC**, **ROCK**, and **NOR**(mal).



- Press and hold **VOL/SEL** on the head unit for three seconds to cycle through **LOUD OFF**, **CLOCK OFF**, **BEEP ON**.
- **LOUD**—Turn the **VOL** knob to toggle between **LOUD ON** and **LOUD OFF**. Pressing the **LOUD** button on the remote control performs the same function.
- **CLOCK OFF**—Turn the **VOL** knob to choose between **CLOCK ON** and **CLOCK OFF**. Clock off shuts the clock off.
- **BEEP ON**—Turn the **VOL** knob to choose between **BEEP ON** and **BEEP OFF** (Beep On: Radio beeps when buttons are pressed. Beep Off: Radio does not beep when buttons are pressed.) Pressing the **SEL/MENU** button and **▲** up or **▼** down on the remote control performs the same function.

#### Note

If no changes are made within three seconds, the car HD radio CD deck exits the adjustment mode.

- In **TUNER** and **AUX** modes, press **DISP** to display time information, press again to return to normal display.
- 4 To turn the CD deck off, press and hold **⏻** (power), or **PWR** on the remote control, until it turns off.

## Setting the time

### To set the time:

- 1 Press and hold **DISP** until the two dots in the middle of the clock stop blinking.
- 2 Press **◀** left to adjust the hours, and **▶** right to adjust the minutes.
- 3 Press **DISP** twice display time information, press again to return to normal display.

#### Note

You can also use the **DSP** button with the **VOL/SEL** knob on the front panel to perform the same operation.

## Using the CD player

### To use the CD player:

- 1 Open the front panel and insert a CD/MP3 disc (label side up) in the CD slot, or remove the port cover and insert a USB device into the USB port. The CD deck automatically turns on and switches to **CD** (or **USB**) mode.

#### Note

If a CD/MP3 or USB device is already inserted, press **MODE** to switch to the mode you want.

- To go to the next or previous track, press **▶▶** (next) or **◀◀** (previous), or press **◀** left or **▶** right on the remote control, respectively.
- To fast forward or fast reverse the CD (or USB), press and hold **▶▶** (next) or press **◀◀** (previous), or **◀ SEARCH** or **▶ SEARCH** on the remote control, respectively.
- Press **1/ ▶||** (play/pause) to pause playback. Press **1/ ▶||** (play/pause) again to resume playback. Press and hold **1/ ▶||** (play/pause) for one second to go to the first track on the disc.

- Press **2/INT** to play the first 10 seconds of each track on the disc. **INT** appears on the LCD, as well as the track number and elapsed time. When you get to the track you want, press **2/INT** again to play it.
  - Press **3/RPT** to repeat the current track. Press **3/RPT** again to repeat the entire CD. Press **3/RPT** again to resume normal playback.
  - Press **4/RDM** to play the tracks in random order (shuffle). Press **4/RDM** again to resume normal playback.
  - In MP3 mode, press **5/DN** to go back 10 tracks on the disc, or press **6/UP** to go forward 10 tracks on the disc.
- 2 To eject the CD, press **REL** to open the front panel, then press **▲ EJECT**. The car HD radio CD deck automatically switches to **TUNER** mode when the CD is ejected.

-OR-

To remove a USB device pull it straight out of the USB port, then replace the USB port cover. The CD deck reverts to **TUNER** mode.

## Searching for tracks in MP3 or USB mode

### To search for tracks on an MP3 disc or USB device:

- 1 Press **AMS** to enter the initial search mode. The LCD shows **MP3 \***.
- 2 Rotate the **VOL/SEL** knob to choose the track you want to play, then press **VOL/SEL** to play the track.

## Searching for files in MP3 or USB mode

### To search for files on an MP3 disc or USB device:

- 1 Press **AMS** three times to enter the file search mode. The LCD shows the folder's name.
- 2 Rotate the **VOL/SEL** knob to select the file you want, then press **VOL/SEL** to play that file.

## Searching for characters (file names) in MP3 or USB mode

In this example, we are searching for file name **cx.MP3** on the disc.

### To search for file names on an MP3 disc or USB device:

- 1 Press **AMS** twice times to enter the character (file name) search mode. The LCD shows a blinking **\***.
- 2 Press **VOL/SEL**. The LCD shows a blinking **A** (the first letter of the file name).
- 3 Rotate the **VOL/SEL** knob until a blinking **C** appears on the LCD, then press **VOL/SEL** to select it as the first letter of the file name.

#### Note

If you press **VOL/SEL** more than .5 seconds, the first file that begins with **C** is played.

- 4 **CA** now appears on the LCD, with the **A** blinking.
- 4 Rotate the **VOL/SEL** knob until **X** is blinking on the LCD, then press and hold **VOL/SEL** to select that letter and file.

- 5 Press **VOL/SEL** and file **cx.MP3** is played.

#### Note

For clarity, the example above uses simple character files. In actual operation, longer file names are typically used, possibly requiring several more steps to find the file you are looking for.

## Using the radio

### To use the radio:

- 1 Press **⏻** (power), or **PWR** on the remote control, to turn on the HD radio CD deck.
- 2 Press **MODE** repeatedly to select **TUNER**.
- 3 Press **BAND** to cycle through the following bands:  
**FM1 - FM2 - FM3 - MW1 (AM1) - MW2 (AM2)**.
  - **To manually tune the radio**—Press **▶▶I** (next) or **I◀◀** (previous) on the head unit, or **◀◀ SEARCH** or **▶▶ SEARCH** on the remote control for more than three seconds (until **MANUAL** appears on the LCD, then press that button again to select a station with a higher or lower frequency, respectively).
  - **To automatically tune the radio**—When manual tuning does not work, the radio switches to automatic tuning and **AUTO** appears on the LCD. Press **▶▶I** (next) or **I◀◀** (previous), or **◀◀ SEARCH** or **▶▶ SEARCH** on the remote control, for more than three seconds. The radio tunes to, and plays, the next available station (up or down, respectively).
  - **To automatically scan for stations** — Press **SCAN** on the remote control. The radio automatically tunes up through the available radio stations, pausing at each station for five seconds. Press **SCAN** again to stop scanning and listen to a station.
  - **To automatically store stations in preset memory**—Press and hold **AMS** for more than three seconds. The radio automatically scans the available stations and stores the six strongest stations in presets 1 through 6.
  - **To manually store stations in preset memory**—Tune to the desired station, then press a number button for more than two seconds (until the LCD shows the number). The station is stored as a preset using that number button. Repeat for each button, in each band.
  - **To tune to a preset channel**—Select the band you want, then press the desired preset button (**1-6**).
  - **To play each of your preset channels for a few seconds**—Press **AMS**. Press **AMS** again, or a number button, to play a station while it is being previewed.
- 4 To turn the car HD radio CD deck off, press and hold **⏻** (power), or **PWR** on the remote control, until it turns off.

## Listening to HD Radio stations

### To listen to HD Radio:

- 1 In radio mode, press and hold **HD** until the LCD shows **HD-SEEK On**.

- 2 Press **▶▶I** (next) or **I◀◀** (previous), or **◀◀ SEARCH** or **▶▶ SEARCH** on the remote control, to tune the radio up or down.
- 3 Press **HD** again to turn off HD Radio. **HD-SEEK OFF** appears on the LCD.

## Playing your iPod through your HD radio CD deck

### To play your iPod through your HD radio CD deck:

- 1 Connect your iPod to the iPod wire in the back of the radio. See "Wiring your car HD radio CD deck" on page 5 for the location of the wire.
- 2 Press **⏻** (power), or **PWR** on the remote control, to turn on the HD radio CD deck.
- 3 Press **MODE** repeatedly to select **iPod**.
  - To go to the next or previous track, press **▶▶I** (next) or **I◀◀** (previous), or **◀◀ SEARCH** or **▶▶ SEARCH** on the remote control, respectively.
  - To fast forward or fast reverse the track, press and hold **▶▶I** (next) or **I◀◀** (previous), or **◀◀ SEARCH** or **▶▶ SEARCH** on the remote control, respectively.
  - Press **1/ ▶▶I** (play/pause) to pause playback. Press **1/ ▶▶I** (play/pause) again to resume playback.
  - Press **3/RPT** to repeat the current iPod track. Press **3/RPT** again to repeat all tracks. Press **3/RPT** again to resume normal playback.
  - Press **4/RDM** to play the iPod tracks in random order (shuffle). Press **4/RDM** again to resume normal playback.
  - Press **DISP** to display information about the current track playing.
  - Press **5/DN** to search for a specific track on your iPod.
  - Press **6/UP** to go back to the previous directory on your iPod.
- 4 To exit iPod mode, remove your iPod. Your HD radio CD deck reverts to radio mode.

## Using iTAG

iTAG lets you capture information about a song playing on the radio.

### To use iTAG:

- 1 Press and hold **EQ/iTAG** to capture information about a song currently playing on the radio. Your HD radio CD deck stores the information.
- 2 Connect your iPod to your HD radio CD deck. Your radio uploads the iTAG information to your iPod.

## Using your car HD radio CD deck in the AUX mode

### To use your CD deck with an external audio device:

- 1 Press **⏻** (power), or **PWR** on the remote control, to turn on the car HD radio CD deck.
- 2 Connect an optional portable audio source to the **AUX** jack on the front panel.
- 3 Press **MODE** repeatedly to select **AUX**.
- 4 Play music on the device to listen to it through your car speakers.

# Troubleshooting

**Caution**

Do not try to repair the CD car deck yourself. Doing so will void your warranty.





Problem	Possible cause	Solution
No sound or power	Volume too low.	Turn up the volume.
	The fuse is blown.	Replace the fuse. (Only use a replacement fuse with the correct amperage.)
The CD does not play	The CD was incorrectly inserted.	Reinsert the CD, label side up.
	The CD is defective.	Try another CD.
	Dirty or damaged disc.	Clean the disc. If the disc is damaged too badly to play, it must be replaced.
No sound	Mute on.	Press the <b>MUTE</b> button to cancel mute.
	Volume adjusted too low.	Adjust the volume upwards.
Memory contents lost	Unknown.	Disconnect, then reconnect the power wire or battery. Press the <b>RESET</b> button.
CD cannot be inserted	Another CD is already loaded into the car HD radio CD deck.	<ul style="list-style-type: none"> <li>Press the <b>EJECT</b> button to remove the other CD.</li> <li>Press the <b>RESET</b> button and try again.</li> </ul>
CD skips during play	Dirty or damaged disc.	Clean the disc. If the disc is damaged too badly to play, it must be replaced.
Poor radio reception	The antenna may not be fully extended or correctly connected.	<ul style="list-style-type: none"> <li>Fully extend the antenna.</li> <li>Check the antenna connections.</li> </ul>
	The antenna is broken.	Replace the antenna.
	The antenna is poorly grounded.	Check the antenna ground and repair it if necessary.

**Note**

If any problem persists after checking the above list, consult your nearest service dealer. Never attempt to disassemble the unit by yourself.

## Playable discs

Your HD radio CD deck can only play the following discs:

Disc type	Label	Material	Size
CD		Audio	12 cm
MP2		Audio	12 cm
USB		Audio	Version 2.0 or lower
iPod		Audio	Version 2.0 or lower

# Maintaining your system

**Note**

The mechanical part of this car HD radio CD deck contains self-lubricating bearings and must not be oiled or lubricated.

## Replacing the fuse

Make sure the amperage of the new fuse matches the specified value when replacing the fuse. If the fuse is blown, check the power connection and replace the fuse with a new one. If the same problem occurs, there may be a problem with your car's electrical system. In such cases, consult the nearest service dealer.

**Caution**

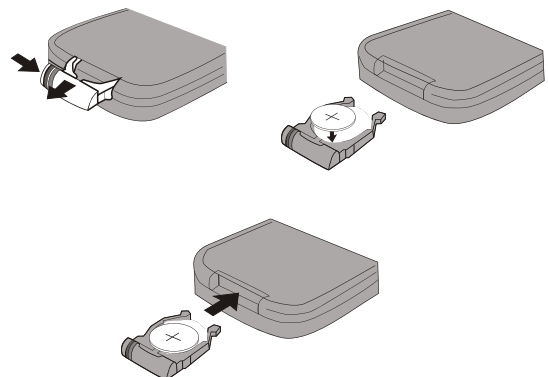
Never use a fuse with the rated amperage more than that supplied to your car HD radio CD deck, otherwise it will damage the car HD radio CD deck.

## Replacing the remote control battery

When the remote control stops working, or the range gets very limited, replace the lithium battery with a new button cell (CR2025). Make sure of the battery polarity before replace.

**To replace the battery:**

- 1 Press and hold the latch while gently pulling out the battery holder.



- 2 Insert the battery into the battery holder with the positive (+) side up.
- 3 Insert the battery holder into the remote control.

### Precautions when using lithium batteries

- Always keep the lithium batteries out of your children's reach. In case a battery is swallowed, see a doctor immediately.
- Clean the battery with a dry cloth to make sure of a good connection.
- Make sure that you install the battery with the correct polarity.
- To prevent a short circuit, do not use metal tweezers to hold the battery.

**Warning**

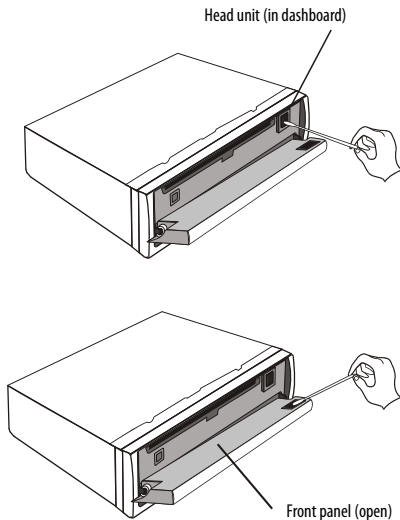
Improper handling of the battery may result in an explosion. Do not charge it, disassemble it, or throw it into a fire.

## Cleaning the connectors

If the connector between the head unit and the front panel is dirty, it may cause the car HD radio CD deck to operate poorly. To avoid such problems, open the front panel and clean the connectors on the head unit and the front panel with an alcohol swab. Clean the connections gently to avoid damaging them.

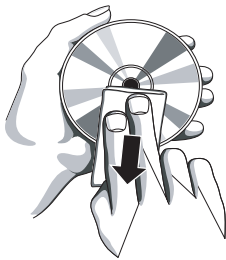
### Note

- For safety, always turn your car off and remove the keys before cleaning.
- Never touch the connectors directly with your fingers.



## Cleaning CDs

Using a soft cleaning cloth, wipe the CD from the center outwards. If a CD is especially dirty, use a soft cloth slightly moistened with isopropyl (rubbing) alcohol.



### Caution

Do not use solvents such as benzene, thinners, commercial cleaning fluids, or anti-static sprays designed for vinyl records.

Keep the following in mind:

- Treat the disc carefully. Handle the disc only by its edges. Never allow your fingers to come in contact with the shiny, unprinted side of the disc.
- If a disc skips or gets stuck on a section of the disc, it is probably dirty or scratched.
- Discs should be stored in their cases after each use to avoid damage.

- Do not expose discs to direct sunlight, high humidity, high temperatures and dust. Prolonged exposure or extreme temperatures can warp the disc.
- Do not attach adhesive tape or stickers to the disc label. Also, do not affix labels to or write anything on either side of the disc. Sharp writing instruments or ink may damage the surface.

### Note

A disc may become somewhat scratched (although not enough to make it unusable) depending on how it is handled. These scratches are not an indication of any problem with the car HD radio CD deck.

## Specifications

### GENERAL

Supply voltage	14.4 V DC (11-16 V allowed)
Load impedance	4 ohms per channel
Max power output	40 W × 4
Tone controls	± 8 dB Bass 100 Hz Treble 10 KHz
Dimensions (approx.)	7.56 × 7 × 1.97 inches (192 × 178 × 50 mm) (d/w/h)
Mounting (approx.)	6.65 × 7.16 × 2.1 inches (169 × 182 × 53 mm) (d/w/h)
Weight (approx.)	3.86 lbs. (1.75 kg)
FM tuner	
Frequency range	87.5 ~ 107.9 MHz (USA)
IF	10.7 MHz
Usable sensitivity	15 dBuV
Signal-to-noise ratio	63 dB
Stereo separation	30 dB (1 KHz)
AM tuner	
Frequency range	530 ~ 1710 KHz (USA)
IF	450 KHz
Usable sensitivity	28 dBuV (-20 dB)
CD player	
Signal-to-noise ratio	79 dB (1 KHz)
Separation	60 dB (1 KHz)
Distortion	0.5%

Due to continuous product improvement, specifications and design are subject to change without prior notice.

## Legal notices

### FCC Part 15

This device complies with Part 15 of the FCC Rules. Operation of this product is subject to the following two conditions: (1) this device may not cause harmful interference, and (2) this device must accept any interference received, including interference that may cause undesired operation.

This equipment has been tested and found to comply within the limits for a class B digital device, pursuant to Part 15 of the FCC Rules. These limits are designed to provide reasonable protection against harmful interference in a residential installation. This equipment generates, uses, and can radiate radio frequency energy and, if not installed and used in accordance with the instructions, may cause harmful interference to radio communications. However, there is no guarantee that interference will not occur in a particular installation. If this equipment does cause harmful interference to

radio or television reception, which can be determined by turning the equipment off and on, the user is encouraged to try to correct the interference by one or more of the following measures:

- Reorient or relocate the receiving antenna.
- Increase the separation between the equipment and receiver.
- Connect the equipment into an outlet on a circuit different from that to which the receiver is connected.
- Consult the dealer or an experienced technician for help.

**FCC warning**

Changes or modifications not expressly approved by the party responsible for compliance with the FCC Rules could void the user's authority to operate this equipment.

**Canada ICES-003 statement**

This Class B digital apparatus complies with Canadian ICES-003. Cet appareil numérique de la classe B est conforme à la norme NMB-003 du Canada.



CEA 2006 Power Output: 18 Watts RMS x 4 Channels at 4 Ohms and  $\leq 1\%$  THD+N  
CEA 2006 Signal to Noise Ratio: 79 dBA (reference: 1 Watt into 4 Ohms)

"Made for iPod" means that an electronic accessory has been designed to connect specifically to iPod and has been certified by the developer to meet Apple performance standards. Apple is not responsible for the operation of this device or its compliance with safety and regulatory standards. iPod is a trademark of Apple Inc., registered in the U.S. and other countries.



## One-Year Limited Warranty

Insignia Products ("Insignia") warrants to you, the original purchaser of this new **NS-HD5113** ("Product"), that the Product shall be free of defects in the original manufacture of the material or workmanship for a period of one (1) year from the date of your purchase of the Product ("Warranty Period"). This Product must be purchased from an authorized dealer of Insignia brand products and packaged with this warranty statement. This warranty does not cover refurbished Product. If you notify Insignia during the Warranty Period of a defect covered by this warranty that requires service, terms of this warranty apply.

### How long does the coverage last?

The Warranty Period lasts for 1 year (365 days) from the date you purchased the Product. The purchase date is printed on the receipt you received with the Product.

### What does this warranty cover?

During the Warranty Period, if the original manufacture of the material or workmanship of the Product is determined to be defective by an authorized Insignia repair center or store personnel, Insignia will (at its sole option): (1) repair the Product with new or rebuilt parts; or (2) replace the Product at no charge with new or rebuilt comparable products or parts. Products and parts replaced under this warranty become the property of Insignia and are not returned to you. If service of Products or parts are required after the Warranty Period expires, you must pay all labor and parts charges. This warranty lasts as long as you own your Insignia Product during the Warranty Period. Warranty coverage terminates if you sell or otherwise transfer the Product.

### How to obtain warranty service?

If you purchased the Product at a retail store location, take your original receipt and the Product to the store you purchased it from. Make sure that you place the Product in its original packaging or packaging that provides the same amount of protection as the original packaging. If you purchased the Product from an online web site, mail your original receipt and the Product to the address listed on the web site. Make sure that you put the Product in its original packaging or packaging that provides the same amount of protection as the original packaging.

To obtain in-home warranty service for a television with a screen 25 inches or larger, call 1-888-BESTBUY. Call agents will diagnose and correct the issue over the phone or will have an Insignia-approved repair person dispatched to your home.

### Where is the warranty valid?

This warranty is valid only to the original purchaser of the product in the United States, Canada, and Mexico.

### What does the warranty not cover?

This warranty does not cover:

- Customer instruction
- Installation
- Set up adjustments
- Cosmetic damage
- Damage due to acts of God, such as lightning strikes
- Accident
- Misuse
- Abuse
- Negligence
- Commercial use
- Modification of any part of the Product, including the antenna
- Plasma display panel damaged by static (non-moving) images applied for lengthy periods (burn-in).

This warranty also does not cover:

- Damage due to incorrect operation or maintenance
- Connection to an incorrect voltage supply
- Attempted repair by anyone other than a facility authorized by Insignia to service the Product
- Products sold as is or with all faults
- Consumables, such as fuses or batteries
- Products where the factory applied serial number has been altered or removed

REPAIR REPLACEMENT AS PROVIDED UNDER THIS WARRANTY IS YOUR EXCLUSIVE REMEDY. INSIGNIA SHALL NOT BE LIABLE FOR ANY INCIDENTAL OR CONSEQUENTIAL DAMAGES FOR THE BREACH OF ANY EXPRESS OR IMPLIED WARRANTY ON THIS PRODUCT, INCLUDING, BUT NOT LIMITED TO, LOST DATA, LOSS OF USE OF YOUR PRODUCT, LOST BUSINESS OR LOST PROFITS. INSIGNIA PRODUCTS MAKES NO OTHER EXPRESS WARRANTIES WITH RESPECT TO THE PRODUCT, ALL EXPRESS AND IMPLIED WARRANTIES FOR THE PRODUCT, INCLUDING, BUT NOT LIMITED TO, ANY IMPLIED WARRANTIES OF AND CONDITIONS OF MERCHANTABILITY AND FITNESS FOR A PARTICULAR PURPOSE, ARE LIMITED IN DURATION TO THE WARRANTY PERIOD SET FORTH ABOVE AND NO WARRANTIES, WHETHER EXPRESS OR IMPLIED, WILL APPLY AFTER THE WARRANTY PERIOD. SOME STATES, PROVINCES AND JURISDICTIONS DO NOT ALLOW LIMITATIONS ON HOW LONG AN IMPLIED WARRANTY LASTS, SO THE ABOVE LIMITATION MAY NOT APPLY TO YOU. THIS WARRANTY GIVES YOU SPECIFIC LEGAL RIGHTS, AND YOU MAY ALSO HAVE OTHER RIGHTS, WHICH VARY FROM STATE TO STATE OR PROVINCE TO PROVINCE.

Contact Insignia:

For customer service please call 1-877-467-4289  
www.insignia-products.com

Distributed by Best Buy Purchasing, LLC  
7601 Penn Avenue South, Richfield, Minnesota, U.S.A.  
55423-3645

© 2009 Best Buy Enterprise Services, Inc.

All rights reserved. INSIGNIA is a trademark of Best Buy Enterprise Services, Inc. Registered in some countries. All other products and brand names are trademarks of their respective owners.



[www.insigniaproducts.com](http://www.insigniaproducts.com) (877) 467-4289

Distributed by Best Buy Purchasing, LLC  
7601 Penn Avenue South, Richfield, MN USA 55423-3645

© 2009 Best Buy Enterprise Services, Inc.

All rights reserved. INSIGNIA is a trademark of Best Buy Enterprise Services, Inc. Registered in some countries.  
All other products and brand names are trademarks of their respective owners.

ENGLISH  
09-0642



## Free Manuals Download Website

<http://myh66.com>

<http://usermanuals.us>

<http://www.somanuals.com>

<http://www.4manuals.cc>

<http://www.manual-lib.com>

<http://www.404manual.com>

<http://www.luxmanual.com>

<http://aubethermostatmanual.com>

Golf course search by state

<http://golfingnear.com>

Email search by domain

<http://emailbydomain.com>

Auto manuals search

<http://auto.somanuals.com>

TV manuals search

<http://tv.somanuals.com>