

User Guide



Clock Radio with Wake-Up Light and Dock for iPod

NS-CLWL01

Contents

Important safety information	2
Features	4
Front	5
Side	6
Back	7
LCD	8
Setting up your clock radio	9
Installing the backup batteries	9
Connecting the AC adapter	10
Docking an iPod or iPhone	10
Connecting an external device	11
Using your clock radio	11
Turning your clock radio on or off	11
Setting the time	12
Setting the alarms	12
Setting the sleep timer	12
Using the snooze feature	13
Listening to FM radio	13
Setting station presets	13
Using the wake-up light	13
Playing iPod files	14
Troubleshooting	15
Maintenance	15
Specifications	16
Legal notices	16
90-day limited warranty	17

Important safety information

- 1 Read these instructions.
- 2 Keep these instructions.
- 3 Heed all warnings.
- 4 Follow all instructions.
- 5 Do not use this apparatus near water.
- 6 Clean only with a dry cloth.
- 7 Do not block any ventilation openings. Install in accordance with the manufacturer's instructions.
- 8 Do not install near any heat sources such as radiators, heat registers, stoves, or other apparatus (including amplifiers) that produce heat.

- 9** Do not defeat the safety purpose of the polarized or grounding-type plug. A polarized plug has two blades with one wider than the other. A grounding type plug has two blades and a third grounding prong. The wide blade or the third prong are provided for your safety. If the provided plug does not fit into your outlet, consult an electrician for replacement of the obsolete outlet.
- 10** Protect the power cord from being walked on or pinched particularly at plugs, convenience receptacles, and the point where they exit from the apparatus.
- 11** Only use attachments/accessories specified by the manufacturer.
- 12** Use only with the cart, stand, tripod, bracket, or table specified by the manufacturer, or sold with the apparatus. When a cart is used, use caution when moving the cart/apparatus combination to avoid injury from tip-over.
- 13** Unplug this apparatus during lightning storms or when unused for long periods of time.
- 14** Refer all servicing to qualified service personnel. Servicing is required when the apparatus has been damaged in any way, such as power-supply cord or plug is damaged, liquid has been spilled or objects have fallen into the apparatus, the apparatus has been exposed to rain or moisture, does not operate normally, or has been dropped.
- 15** To reduce the risk of fire or electric shock, do not expose this device to rain, moisture, dripping, or splashing, and no objects filled with liquids, such as vases, shall be placed on it.
- 16** The wall plug is the disconnecting device. The plug must remain readily operable.
- 17** Batteries should not be exposed to excessive heat such as sunshine, fire, or the like.

**Warning**

Danger of explosion if battery is incorrectly replaced. Replace only with the same or equivalent type.

Protecting your furniture

This system is equipped with non-skid black rubber “feet” to prevent the product from moving when you operate the controls. These “feet” are made from non-migrating rubber material specially formulated to avoid leaving any marks or stains on your furniture. However certain types of oil based furniture polishes, wood preservatives, or cleaning sprays may cause the rubber “feet” to soften and leave marks or a rubber residue on the furniture.

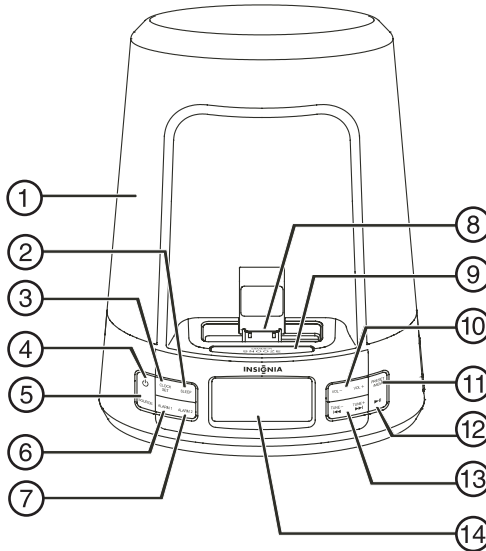
To prevent any damage to your furniture we strongly recommend that you purchase small self-adhesive felt pads, available at hardware stores and home improvement centers everywhere, and apply these pads to the bottom of the rubber “feet” before you place the product on fine wooden furniture.

Features

Package contents

- Clock radio
- Power cord
- AAA batteries (2)
- *User Guide*
- *Quick Setup Guide*

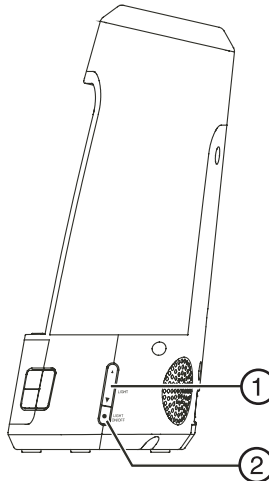
Front



#	Item	Description
1	Lamp shade	Covers the wake-up light.
2	SLEEP button	Press to set the sleep timer. The sleep timer lets you select the amount of time you want your clock radio to wait before it automatically turns off. You can select 90, 60, 45, 30, 15, or OFF (turns off the sleep timer). For more information, see "Setting the sleep timer" on page 12.
3	CLOCK SET button	When setting the time, press to save the the hour or minutes. For more information, see "Setting the time" on page 12.
4	⏻ (power) button	Press to turn your clock radio on or off (standby mode).
5	SOURCE button	Press to select the audio source. You can select FM, iPod, or AUX.
6	ALARM 1 button	Press to set the wake-up time for alarm 1. For more information, see "Setting the alarms" on page 12.
7	ALARM 2 button	Press to set the wake-up time for alarm 2. For more information, see "Setting the alarms" on page 12.
8	iPod dock	Insert an iPod or iPhone in this dock to charge the iPod or iPhone battery. For more information, see "Docking an iPod or iPhone" on page 10. While your iPod is docked, you can play iPod files using the controls on your clock radio. For more information, see "Playing iPod files" on page 14.

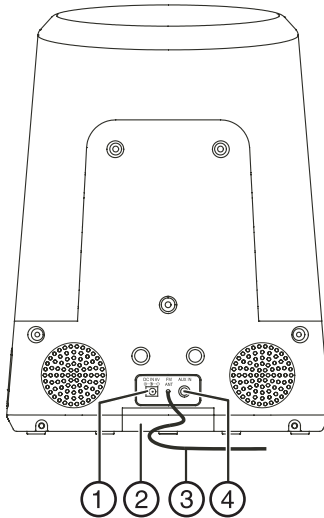
#	Item	Description
9	SNOOZE/DIMMER button	In any mode, press to change the brightness of the display. In alarm mode, press to temporarily turn off the alarm. The alarm will sound again in nine minutes.
10	VOL+ and VOL- buttons	Press to increase or decrease the volume.
11	PRESET/MEM button	Press to preset stations. For more information, see "Setting station presets" on page 13.
12	TUNE+ / ►► and TUNE- / ◄◄ buttons	<ul style="list-style-type: none"> When setting the time or the alarms, press to set the hour and minutes. In radio mode, press to see the currently tuned frequency. Press again to go to the next or previous frequency. Press and hold to automatically scan to the next or previous station with a strong signal. When in iPod mode, press to go to the beginning of the current track, next track, or previous track. Press and hold to fast-forward or fast-reverse.
13	►► (play/pause) button	Press to start or pause iPod playback. For more information, see "Playing iPod files" on page 14.
14	LCD	Displays the current time and status information. For more information, see "LCD" on page 8.

Side



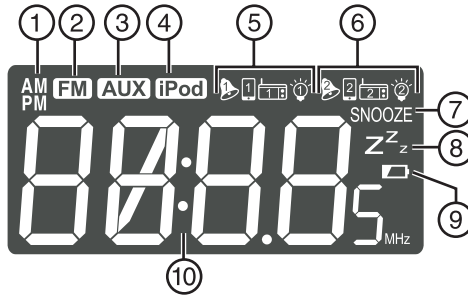
#	Item	Description
1	LIGHT ▲ and ▼ buttons	Press to brighten or dim the wake-up light. For more information, see "Using the wake-up light" on page 13.
2	LIGHT ON/OFF button	Press to turn the wake-up light on or off. For more information, see "Using the wake-up light" on page 13.

Back



#	Item	Description
1	DC IN jack	Connect the AC adapter to this jack. For more information, see "Connecting the AC adapter" on page 10.
2	Battery compartment	Install the backup batteries in this compartment. For more information, see "Installing the backup batteries" on page 9.
3	FM antenna wire	Extend and adjust the antenna wire to get the best radio reception.
4	AUX IN jack	Connect an external audio device, such as an MP3 player, to this jack. For more information, see "Connecting an external device" on page 11.

LCD




	Item	Description
1	AM/PM indicator	Indicates whether the current time is AM or PM.
2	FM indicator	Lights when the FM radio is turned on.
3	AUX indicator	Lights when the device connected to the AUX IN jack is turned on.
4	iPod indicator	Lights when the iPod in the iPod dock is turned on.
5	Alarm 1 indicators	Light when Alarm 1 is set.
6	Alarm 2 indicators	Light when Alarm 2 is set.
7	Snooze indicator	Lights when the snooze is turned on.
8	Sleep indicator	Lights when the sleep function is turned on.
9	Battery charge indicator	Lights when the battery charge level is low or when no batteries are installed in the battery compartment.
10	Status information	Displays status information, such as the time, currently playing radio station, or iPod track number.

Setting up your clock radio

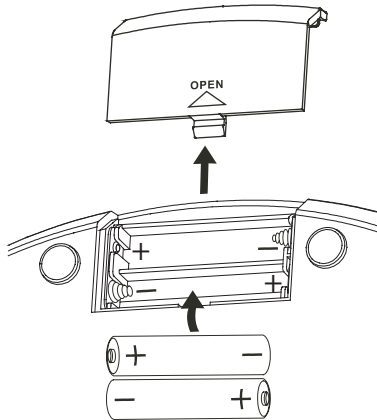
Installing the backup batteries

Note

If backup batteries are not installed, the low battery icon  appears on the LCD.

To install the backup batteries:

- 1 Push the battery cover locking tab in the direction of the arrow, then remove the cover.



- 2 Insert two AAA batteries into the battery compartment. Make sure that the + and – symbols on the batteries align with the + and – symbols in the battery compartment.
- 3 Replace the cover.

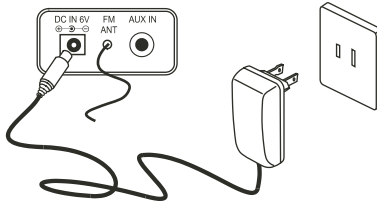
Cautions

- There is danger of explosion if batteries are incorrectly installed. Replace the batteries only with the same or equivalent type.
- Make sure that the + and – symbols on the batteries and inside the battery compartment align correctly. If the batteries are installed incorrectly, you may damage your clock radio.
- If you do not plan to use your clock radio for an extended period of time, remove the batteries to prevent damage or injury from possible battery leakage.
- Do not try to recharge batteries that are not intended to be recharged. The batteries may rupture or leak.
- Do not expose batteries to excessive heat such as direct sunlight or fire.

Connecting the AC adapter

To connect the AC adapter:

- Connect one end of the AC adapter cable into the **DC IN** jack on the back of your clock radio, then plug the other end into a power outlet.



Caution

If you do not plan to use your clock radio for an extended period of time, unplug the AC adapter from the **DC IN** jack and the power outlet.

Docking an iPod or iPhone

You can use your clock radio as a battery charger for all docking iPods or iPhones. While an iPod is docked you can play files stored on the iPod. For more information, see “Playing iPod files” on page 14.

To dock an iPod or iPhone:

- Push the supporting plate behind the iPhone connector and carefully insert the iPod or iPhone into the connector.

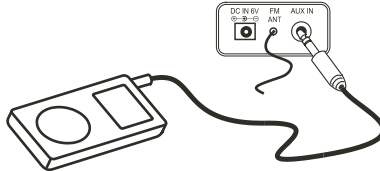


Connecting an external device

You can connect an external device, such as an MP3 player, and play files through your clock radio speakers.

To connect an external device:

- 1 Plug an 3.5 mm audio cable (not included) into the **AUX IN** jack on the back of your clock radio and into the audio out jack on the external device.





- 2 Turn on your clock radio, then turn on the external device.
- 3 Press **SOURCE** one or more times to select **AUX**.
- 4 Start playback on the external device, then adjust the volume on your clock radio and the external device.
- 5 When you are through using the external device, unplug it.

Using your clock radio

Turning your clock radio on or off

To turn your clock radio on or off:

- Press  (power). Your clock radio turns on.
- Press  (power) again. Your clock radio turns off (standby mode).

Warning

When your clock radio is in standby mode, power still flows into it. To completely disconnect the power, unplug the AC adapter.

Setting the time

To set the time:

- 1 Press and hold **CLOCK SET** for about three seconds. The hour flashes on the LCD.
- 2 Press **TUNE+ / ►►** or **TUNE- / ◀◀** to set the hour, then press **CLOCK SET** to save your setting. The minutes flash on the LCD. You can also press and hold **TUNE+ / ►►** or **TUNE- / ◀◀** to move quickly through the hours.
- 3 Press **TUNE+ / ►►** or **TUNE- / ◀◀** to set the minutes, then press **CLOCK SET** to save your setting. You can also press and hold **TUNE+ / ►►** or **TUNE- / ◀◀** to move quickly through the minutes.

Setting the alarms

Your clock radio has two alarms.

To set the alarms:

- 1 Press and hold **ALARM 1** or **ALARM 2** for about three seconds. The hour flashes on the LCD.
- 2 Press **TUNE+ / ►►** or **TUNE- / ◀◀** to set the hour, then press the same button you pressed in Step 1 to save your setting. The minutes flash on the LCD. You can also press and hold **TUNE+ / ►►** or **TUNE- / ◀◀** to move quickly through the hours.
- 3 Press **TUNE+ / ►►** or **TUNE- / ◀◀** to set the **SUNRISE** time. You can select **15** minutes or **30** minutes or **OFF**. When the **SUNRISE** time is set, the wake-up light will turn on and gradually brighten 15 or 30 minutes before the alarm turns on. If you select **OFF**, the wake-up light will not turn on when alarm turns on.
- 4 To select the alarm source (radio, iPod/iPhone, or beep), press **ALARM 1** or **ALARM 2** repeatedly to select the radio, iPod/iPhone, or bell icon on the LCD. To turn off the alarm feature, press the button until no icon appears on the LCD. For the location of the icon, see "LCD" on page 8.

Notes

- If you turn off the wake-up light by pressing the LIGHT ON/OFF button, the wake-up light will not turn on before the alarm.
- The alarm will stay on for one hour unless you cancel it.
- If no iPod or iPhone is docked, the alarm sound will be a beep.

Setting the sleep timer

You can set your clock radio to automatically turn off after a specific amount of time.

To set the sleep timer:

- Press **SLEEP** one or more times or press and hold **SLEEP** to select the amount of time you want your clock radio to wait before it automatically turns off. You can select **90, 60, 45, 30,** or **15** minutes.
- To turn off the sleep timer before it expires, press **SLEEP** to select **OFF**.

Using the snooze feature

You can use the snooze feature to temporarily turn off the alarm.

To use the snooze feature:

- When the alarm turns on, press **SNOOZE/DIMMER**. The alarm turns off. After nine minutes, the alarm turns on again. If the **SUNRISE** time is set, the wake-up light will turn on three minutes before the alarm turns on again.

Listening to FM radio**To listen to FM radio:**

- 1 Press **SOURCE** one or more times to select **FM**. "FM" appears on the LCD.
- 2 Press **TUNE+ / ►►** or **TUNE- / ◄◄** to go to the next or previous radio frequency. Press and hold **TUNE+ / ►►** or **TUNE- / ◄◄** to automatically go to the next or previous station with a strong signal.

Setting station presets

Station presets let you store the frequencies for favorite stations so you can quickly tune to them. You can store up to 20 favorite stations.

To set station presets:

- 1 Tune to the station you want to store.
- 2 Press and hold **PRESET/MEM** for over two seconds. "P01" flashes on the LCD.
- 3 Press **TUNE+ / ►►** or **TUNE- / ◄◄** to select the preset number you want to assign to the station.
- 4 Press **PRESET/MEM** to save your setting.
- 5 Repeat Step 1 through Step 4 to set additional presets.
- 6 To tune to a station preset, press **PRESET/MEM** one or more times until the preset number you want appears on the LCD.

Using the wake-up light

Turning the wake-up light on or off turns the **SUNSHINE** feature on or off.

To use the wake-up light:

- To turn the wake-up light on or off, press wake-up **LIGHT ON/OFF**.
- To adjust the wake-up light brightness, press **LIGHT ▲** or **▼**.

Playing iPod files

To play iPod files:

- 1 Insert the iPod into the iPod dock. See “Docking an iPod or iPhone” on page 10.
- 2 Press **SOURCE** one or more times to select **iPod**.
- 3 On your clock radio:
 - Press **TUNE+ / ►►** or **TUNE- / ◀◀** on your clock radio to select the next or previous music file.
 - Press **►||** (play/pause) on your clock radio to start or pause iPod playback.
 - Press **VOL+** or **VOL-** to adjust the volume.

Note

You can also use the iPod controls to control playback.

Troubleshooting

Problem	Solution
FM radio	
Radio does not play.	<ul style="list-style-type: none"> • Make sure that your clock radio is turned on. • Press SOURCE to make sure that FM is selected.
Radio sound is distorted.	<ul style="list-style-type: none"> • Make sure that the antenna wire on the back of your clock radio is fully extended.
iPod and iPhone	
Cannot dock the iPod or iPhone correctly.	<ul style="list-style-type: none"> • Remove the iPod or iPhone and check for obstructions in the dock or on the iPod or iPhone connectors, then insert the iPod or iPhone again. See "Docking an iPod or iPhone" on page 10.
The iPod does not respond to the clock radio controls.	<ul style="list-style-type: none"> • Make sure that the iPod is working correctly. See the instructions that came with the iPod.
General	
The clock, iPod, FM or AUX IN does not work.	<ul style="list-style-type: none"> • Disconnect the AC adapter, wait a few seconds, then reconnect the AC adapter.
The LCD does not display any information or the information is abnormal.	<ul style="list-style-type: none"> • Disconnect the AC adapter, wait a few seconds, then reconnect the AC adapter.

Maintenance

- To prevent fire or shock hazard, disconnect the AC adapter when cleaning.
- If the cabinet becomes dusty, wipe it with a soft, dry cloth. Do not use any wax or polish sprays on the cabinet.
- If the cabinet becomes dirty or smudged with fingerprints, clean it with a soft, damp cloth.
- Make sure that no water or other liquids drip inside your clock radio while cleaning.

Specifications

Power source	AC ~120V-240V AC-DC adapter DC 3V - 2 × AAA or UM-4 batteries or equivalent for memory backup
Power consumption	15W
Frequency range	FM 87.5 - 107.9 MHz
Output power	2 × 2W RMS
Dimensions (W × D × H)	6.98 × 4.69 × 9.37 in.(177 × 119 × 238 mm)
Weight	1.68 lbs. (0.76 kg)

Legal notices

FCC Part 15

This device complies with Part 15 of the FCC Rules. Operation of this product is subject to the following two conditions: (1) this device may not cause harmful interference, and (2) this device must accept any interference received, including interference that may cause undesired operation.

This equipment has been tested and found to comply within the limits for a class B digital device, pursuant to Part 15 of the FCC Rules. These limits are designed to provide reasonable protection against harmful interference in a residential installation. This equipment generates, uses, and can radiate radio frequency energy and, if not installed and used in accordance with the instructions, may cause harmful interference to radio communications. However, there is no guarantee that interference will not occur in a particular installation. If this equipment does cause harmful interference to radio or television reception, which can be determined by turning the equipment off and on, the user is encouraged to try to correct the interference by one or more of the following measures:

- Reorient or relocate the receiving antenna.
- Increase the separation between the equipment and receiver.
- Connect the equipment into an outlet on a circuit different from that to which the receiver is connected.
- Consult the dealer or an experienced technician for help.

FCC warning

Changes or modifications not expressly approved by the party responsible for compliance with the FCC Rules could void the user's authority to operate this equipment.

90-day limited warranty

Insignia Products (“Insignia”) warrants to you, the original purchaser of this new **NS-CLWL01** (“Product”), that the Product shall be free of defects in the original manufacture of the material or workmanship for a period of 90 days from the date of your purchase of the Product (“Warranty Period”). This Product must be purchased from an authorized dealer of Insignia brand products and packaged with this warranty statement. This warranty does not cover refurbished Product. If you notify Insignia during the Warranty Period of a defect covered by this warranty that requires service, terms of this warranty apply.

How long does the coverage last?

The Warranty Period lasts for 90 days from the date you purchased the Product. The purchase date is printed on the receipt you received with the Product.

What does this warranty cover?

During the Warranty Period, if the original manufacture of the material or workmanship of the Product is determined to be defective by an authorized Insignia repair center or store personnel, Insignia will (at its sole option): (1) repair the Product with new or rebuilt parts; or (2) replace the Product at no charge with new or rebuilt comparable products or parts. Products and parts replaced under this warranty become the property of Insignia and are not returned to you. If service of Products or parts are required after the Warranty Period expires, you must pay all labor and parts charges. This warranty lasts as long as you own your Insignia Product during the Warranty Period. Warranty coverage terminates if you sell or otherwise transfer the Product.

How to obtain warranty service?

If you purchased the Product at a retail store location, take your original receipt and the Product to the store you purchased it from. Make sure that you place the Product in its original packaging or packaging that provides the same amount of protection as the original packaging. If you purchased the Product from an online web site, mail your original receipt and the Product to the address listed on the web site. Make sure that you put the Product in its original packaging or packaging that provides the same amount of protection as the original packaging.

To obtain in-home warranty service for a television with a screen 25 inches or larger, call 1-888-BESTBUY. Call agents will diagnose and correct the issue over the phone or will have an Insignia-approved repair person dispatched to your home.

Where is the warranty valid?

This warranty is valid only to the original purchaser of the product in the United States, Canada, and Mexico.

What does the warranty not cover?

This warranty does not cover:

- Customer instruction
- Installation
- Set up adjustments
- Cosmetic damage
- Damage due to acts of God, such as lightning strikes
- Accident
- Misuse
- Abuse
- Negligence
- Commercial use

- Modification of any part of the Product, including the antenna
- Plasma display panel damaged by static (non-moving) images applied for lengthy periods (burn-in).

This warranty also does not cover:

- Damage due to incorrect operation or maintenance
- Connection to an incorrect voltage supply
- Attempted repair by anyone other than a facility authorized by Insignia to service the Product
- Products sold as is or with all faults
- Consumables, such as fuses or batteries
- Products where the factory applied serial number has been altered or removed

REPAIR REPLACEMENT AS PROVIDED UNDER THIS WARRANTY IS YOUR EXCLUSIVE REMEDY. INSIGNIA SHALL NOT BE LIABLE FOR ANY INCIDENTAL OR CONSEQUENTIAL DAMAGES FOR THE BREACH OF ANY EXPRESS OR IMPLIED WARRANTY ON THIS PRODUCT, INCLUDING, BUT NOT LIMITED TO, LOST DATA, LOSS OF USE OF YOUR PRODUCT, LOST BUSINESS OR LOST PROFITS. INSIGNIA PRODUCTS MAKES NO OTHER EXPRESS WARRANTIES WITH RESPECT TO THE PRODUCT, ALL EXPRESS AND IMPLIED WARRANTIES FOR THE PRODUCT, INCLUDING, BUT NOT LIMITED TO, ANY IMPLIED WARRANTIES OF AND CONDITIONS OF MERCHANTABILITY AND FITNESS FOR A PARTICULAR PURPOSE, ARE LIMITED IN DURATION TO THE WARRANTY PERIOD SET FORTH ABOVE AND NO WARRANTIES, WHETHER EXPRESS OR IMPLIED, WILL APPLY AFTER THE WARRANTY PERIOD. SOME STATES, PROVINCES AND JURISDICTIONS DO NOT ALLOW LIMITATIONS ON HOW LONG AN IMPLIED WARRANTY LASTS, SO THE ABOVE LIMITATION MAY NOT APPLY TO YOU. THIS WARRANTY GIVES YOU SPECIFIC LEGAL RIGHTS, AND YOU MAY ALSO HAVE OTHER RIGHTS, WHICH VARY FROM STATE TO STATE OR PROVINCE TO PROVINCE.

Contact Insignia:

For customer service please call 1-877-467-4289
www.insigniaproducts.com

Distributed by Best Buy Purchasing, LLC
7601 Penn Avenue South, Richfield, Minnesota, U.S.A. 55423-3645
© 2011 BBY Solutions, Inc.

All rights reserved. INSIGNIA is a trademark of BBY Solutions, Inc. Registered in some countries. All other products and brand names are trademarks of their respective owners.



www.insigniaproducts.com (877) 467-4289

Distributed by Best Buy Purchasing, LLC
7601 Penn Avenue South, Richfield, MN USA 55423-3645

© 2011 BBY Solutions, Inc.

All rights reserved. INSIGNIA is a trademark of BBY Solutions, Inc.

Registered in some countries.

All other products and brand names are trademarks of their respective owners.

ENGLISH
11-0022

Free Manuals Download Website

<http://myh66.com>

<http://usermanuals.us>

<http://www.somanuals.com>

<http://www.4manuals.cc>

<http://www.manual-lib.com>

<http://www.404manual.com>

<http://www.luxmanual.com>

<http://aubethermostatmanual.com>

Golf course search by state

<http://golfingnear.com>

Email search by domain

<http://emailbydomain.com>

Auto manuals search

<http://auto.somanuals.com>

TV manuals search

<http://tv.somanuals.com>