

User Guide



Clock Radio with LCD Photo Viewer

NS-DPFC01

Insignia NS-DPFC01

Clock Radio with LCD Photo Viewer

Contents

Welcome	3
Important safety instructions	3
Features	4
Setting up your clock radio	10
Using your clock radio	14
Troubleshooting	22
Legal notices	22
90-day limited warranty	25

Welcome

Congratulations on your purchase of a high-quality Insignia product. Your NS-DPFC01 represents the state of the art in clock radios and is designed for reliable and trouble-free performance.

Important safety instructions

- 1 Read these instructions.
- 2 Keep these instructions.
- 3 Heed all warnings.
- 4 Follow all instructions.
- 5 Do not use this apparatus near water.
- 6 Clean only with dry cloth.
- 7 Do not block any ventilation openings. Install in accordance with the manufacturer's instructions.
- 8 Do not install near any heat sources such as radiators, heat registers, stoves, or other apparatus (including amplifiers) that produce heat.
- 9 Do not defeat the safety purpose of the polarized or grounding-type plug. A polarized plug has two blades with one wider than the other. A grounding type plug has two blades and a third grounding prong. The wide blade or the third prong are provided for your safety. If the provided plug does not fit into your outlet, consult an electrician for replacement of the obsolete outlet.

- 10 Protect the power cord from being walked on or pinched particularly at plugs, convenience receptacles, and the point where they exit from the apparatus.
- 11 Only use attachments/accessories specified by the manufacturer.
- 12 Use only with the cart, stand, tripod, bracket, or table specified by the manufacturer, or sold with the apparatus. When a cart is used, use caution when moving the cart/apparatus combination to avoid injury from tip-over.
- 13 Unplug this apparatus during lightning storms or when unused for long periods of time.
- 14 Refer all servicing to qualified service personnel. Servicing is required when the apparatus has been damaged in any way, such as power-supply cord or plug is damaged, liquid has been spilled or objects have fallen into the apparatus, the apparatus has been exposed to rain or moisture, does not operate normally, or has been dropped.
- 15 To reduce the risk of fire or electric shock, do not expose this device to rain, moisture, dripping, or splashing, and no objects filled with liquids, such as vases, shall be placed on it.
- 16 An apparatus with a three-prong, grounding-type plug is a Class I apparatus, which needs to be grounded to prevent possible electric shock. Make sure that you connect this Class I device to a grounding-type, three-prong outlet.
- 17 The wall plug is the disconnecting device. The plug must remain readily operable.
- 18 Batteries should not be exposed to excessive heat such as sunshine, fire, or the like.

**Warning**

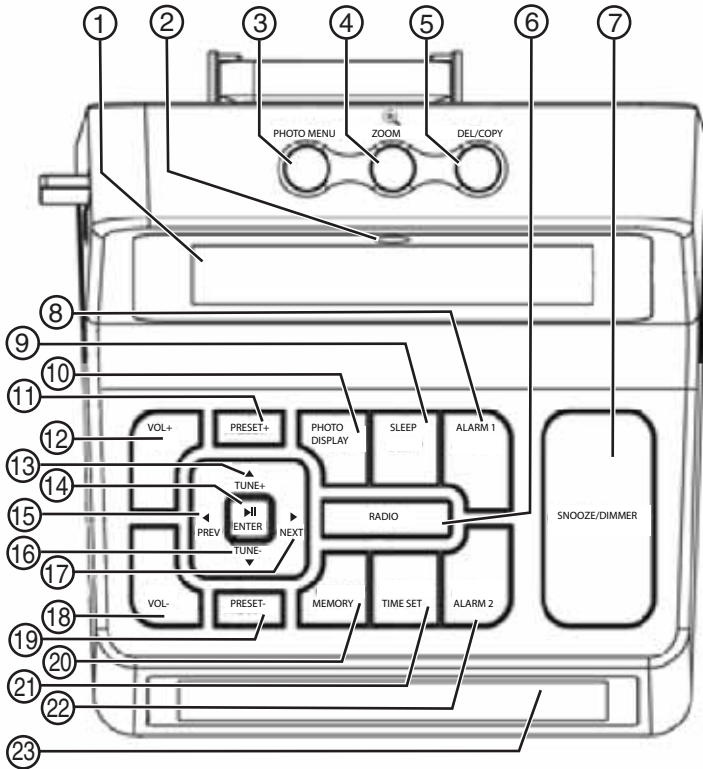
Danger of explosion if battery is incorrectly replaced. Replace only with the same or equivalent type.

Features

Package contents:

- Clock radio with LCD Photo Viewer
- AC Adapter
- Remote control with bracket
- Battery (CR2032 x 1)
- USB Cable
- User Guide
- QSG (Quick Setup Guide)

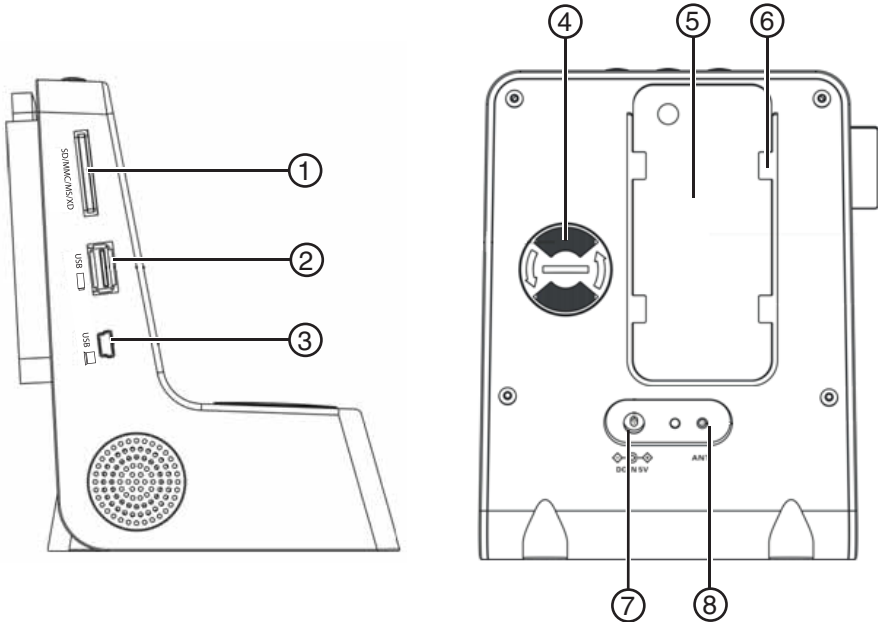
Top view



#	Description	Function
1	Photo display	LCD screen where photos are displayed.
2	Remote sensor	Receives the infrared signal from the remote control. Point the remote control at this sensor.
3	PHOTO MENU button	Press to display the photo menu on the LCD.
4	ZOOM button	Press to zoom in on the photo being displayed.
5	DEL/COPY button	Press to delete or copy photos while in thumbnail picture mode.
6	RADIO button	Press once to turn the radio on. Press again to turn the radio off.
7	SNOOZE/DIMMER button	Press to temporarily turn off the alarm (snooze), when the alarm is sounding. Press to set the backlight level to high, middle, or low, when the alarm is off.
8	ALARM 1 button	Press to set Alarm 1.

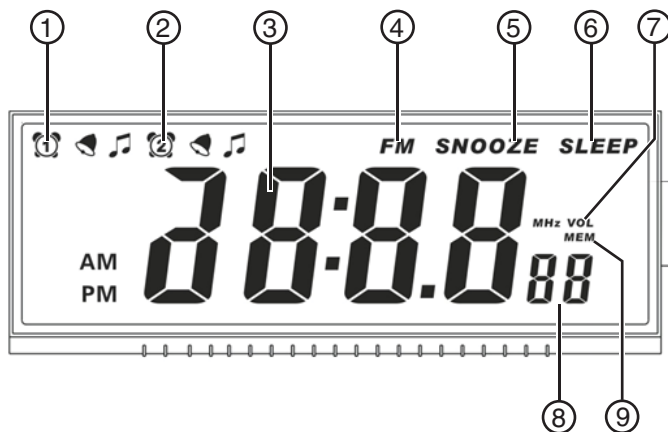
#	Description	Function
9	SLEEP button	Press to set the sleep timer, which automatically turns off the radio after the time duration selected. Press repeatedly to select the duration.
10	PHOTO DISPLAY button	Press once to turn the photo display on. Press again to turn the photo display off.
11	PRESET+ button	In radio mode, press to select the next preset station. In memory mode, press to select the preset number for the station.
12	VOL+ button	Press to increase the radio volume.
13	▲ TUNE+ button	In radio mode, press to tune the radio to a higher station. In photo zoom mode, press to pan up in the photo.
14	▶▶ ENTER button	Press to confirm your selection in photo menu mode.
15	◀ PREV button	In photo playback mode, press to select the previous photo. In photo zoom mode, press to pan left in the photo. In photo menu mode, press to move the cursor.
16	▼ TUNE- button	In radio mode, press to tune the radio to a lower station. In photo zoom mode, press to pan down in the photo.
17	▶ NEXT button	In photo playback mode, press to select the next photo. In photo zoom mode, press to pan right in the photo. In photo menu mode, press to move the cursor.
18	VOL- button	Press to decrease the radio volume.
19	PRESET- button	In radio mode, press to select the previous preset station. In memory mode, press to select the preset number for the station.
20	MEMORY button	Press to set radio station presets.
21	TIME SET button	Press and hold briefly to set the time.
22	ALARM 2 button	Press to set Alarm 2.
23	Clock display	Displays the current time, radio, and alarm information.

Side and back views



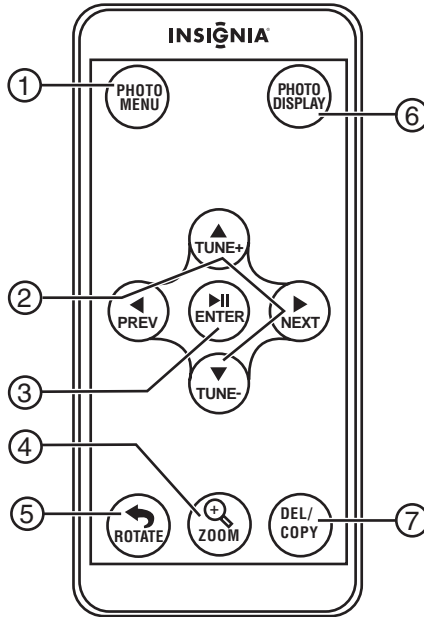
#	Description	Function
1	Card slot	Plug an SD, MMC, MS, or XD card into this slot.
2	USB port	Plug an external USB device into this port.
3	USB cable port	Plug a USB cable from a computer into this port.
4	Backup battery slot	Insert a backup battery into this opening.
5	Remote control	Remotely control your radio with this remote control.
6	Remote control storage bracket	Store your remote control in this bracket.
7	DC IN jack	Plug the output cable of the AC adapter into this jack.
8	ANT	The FM antenna to improve reception.

LCD display



#	Description	Function
1	Alarm 1 status icon	Indicates the status of Alarm 1. The icon to the right of the status icon indicates your selection. <ul style="list-style-type: none"> • Bell icon—wake to buzzer • Music note icon—wake to radio • No icon—alarm 1 off
2	Alarm 2 status icon	Indicates the status of Alarm 2. The icon to the right of the status icon indicates your selection. <ul style="list-style-type: none"> • Bell icon—wake to buzzer • Music note icon—wake to radio • No icon—alarm 2 off
3	Main display	Shows the current time, radio frequency, sleep time setting, or alarm ring time.
4	FM	Lights when radio is on.
5	SNOOZE	Lights when snooze is on.
6	SLEEP	Lights when the sleep timer is set.
7	VOL (volume)	Shows the volume setting of the radio.
8	Preset station number	Indicates the preset number selected.
9	MEM icon	Indicates a preset is selected.

Remote control



#	Description	Function
1	PHOTO MENU button	Press to display the photo menu on the LCD.
2	<p>◀ PREV button</p> <p>▲ TUNE+ button</p> <p>▶ NEXT button</p> <p>▼ TUNE- button</p>	<p>In photo playback mode, press to select the previous photo. In photo zoom mode, press to pan left in the photo. In photo menu mode, press to move the cursor.</p> <p>In radio mode, press to tune the radio to a higher station. In photo zoom mode, press to pan up in the photo.</p> <p>In photo playback mode, press to select the next photo. In photo zoom mode, press to pan right in the photo. In photo menu mode, press to move the cursor.</p> <p>In radio mode, press to tune the radio to a lower station. In photo zoom mode, press to pan down in the photo.</p>
3	▶▶ ENTER button	In Press to confirm your selection in photo menu mode.
4	ZOOM button	Press to zoom in on the photo being displayed.
5	ROTATE button	Press to rotate the displayed photo in 90° steps.
6	PHOTO DISPLAY button	Press once to turn the photo display on. Press again to turn the photo display off.

#	Description	Function
7	DEL/COPY button	Press to delete or copy photos while in thumbnail picture mode.

Setting up your clock radio

Supplying power

Your clock radio is powered by an AC adapter.

Plugging in your clock radio

To plug in your clock radio:

- 1 Place your clock radio in a convenient place and find an AC power outlet within range of the AC adapter.
- 2 Plug the AC adapter into the AC power outlet.
- 3 Plug the AC adapter into the DC IN socket on the radio.

Caution

To protect your clock radio during thunderstorms, unplug the AC power adapter from the AC power outlet.

Installing the backup battery

You can install a backup battery (included) to provide temporary power in case the AC power fails. The backup battery only maintains the correct time.

To install a backup battery:

- 1 Unplug your clock radio, then turn it around to the back and remove the circular backup battery cover by unscrewing it.
- 2 Insert one (1) CR2032 button cell battery (included) into the battery compartment. Make sure that the + symbol on the battery is facing up.
- 3 Reinstall the backup battery slot cover.

4 Plug in your radio.

Cautions

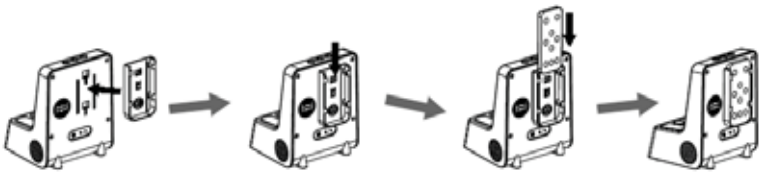
Follow these precautions when using a battery in this device:

- Use only the size and type of battery specified.
- Make sure that you follow the correct polarity as indicated in the battery compartment when installing the battery. A reversed battery may cause damage to the clock radio.
- If your clock radio is not to be used for a long period of time, remove the battery to prevent damage or injury from possible battery leakage.
- The battery should not be exposed to excessive heat, such as sunshine, fire, or the like. Dispose of the used battery as hazardous waste.
- There is a danger of explosion if the battery is incorrectly replaced. Replace only with the same or equivalent type.

Installing the remote control and remote control bracket

To install the remote control and remote control bracket:

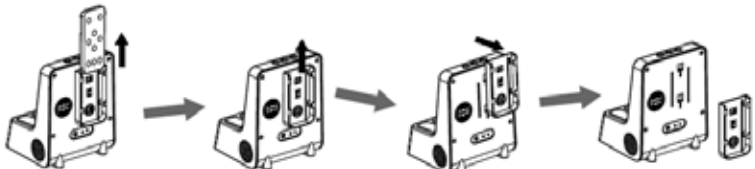
- 1 Put the remote control bracket onto the bracket holder (at the back of the clock radio).
- 2 Push the bracket downward until it clicks into place.
- 3 Insert the remote control into the bracket.



Removing the remote control and remote control bracket

To remove the remote control and remote control bracket:

- 1 Remove the remote control as shown below.



- 2 Push the bracket upward from the bottom until it can be removed.

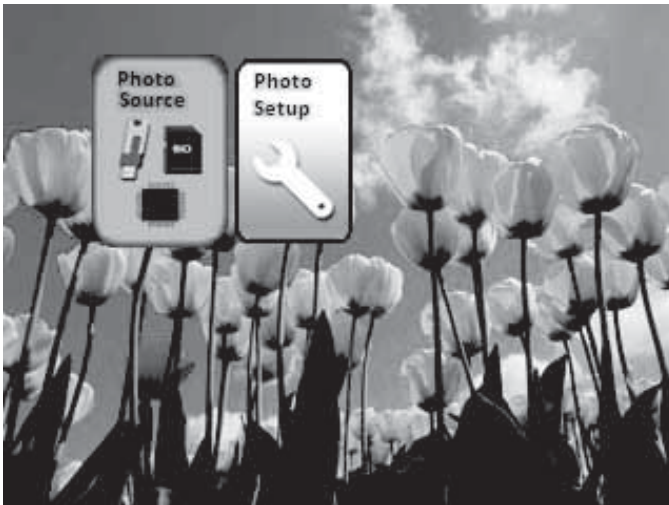
Caution

- We suggest that you keep the bracket installed.
- If you decide to remove the bracket, you may need to push bracket hard to remove it
- When you remove the bracket, keep your fingers and body clear above the bracket to avoid possible impact by the bracket, when it pops out.

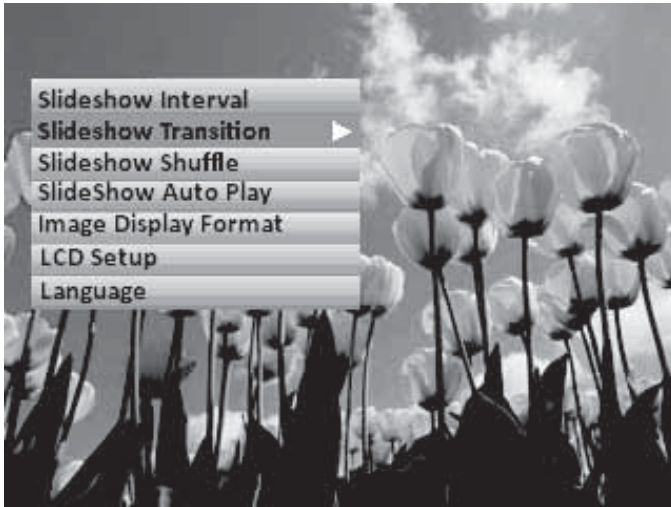
Setting up the LCD

To set up the LCD:

- 1 While in Photo mode, press **PHOTO MENU** to display the photo menu OSD (on-screen display). The following menu opens.



- 2 Press **◀ PREV** or **▶ NEXT** to highlight Photo Setup, then press **ENTER** to confirm. The *Photo Setup* menu opens.



- 3 Press **▲ TUNE+**, or **▼ TUNE-** to select LCD Setup, then press **ENTER**. The *LCD Setup* menu opens.



- 4 Press **▲ TUNE+**, or **▼ TUNE-** to select **Brightness, Contrast, or Color**.
- 5 Press **◀ PREV** or **▶ NEXT** to adjust your selection, then press **ENTER** when you are through to save your settings.

Using your clock radio

Using the clock and alarm

To set the clock:

- 1 Press and hold **TIME SET** until the hour blinks on the display.
- 2 Press **▲ TUNE+** or **▼ TUNE-** to set the hour.
- 3 Press **TIME SET**. The minutes blink on the display.
- 4 Press **▲ TUNE+** or **▼ TUNE-** to set the minutes.
- 5 Press **TIME SET** to store the setting.

To set the alarm:

- 1 Press and hold **ALARM 1** (or **ALARM 2**, depending on the alarm you want) until the hour blinks.
- 2 Press **▲ TUNE+** or **▼ TUNE-** to set the hour.
- 3 Press **ALARM 1** (or **ALARM 2**, depending on the alarm you want). The minutes blink on the display.
- 4 Press **▲ TUNE+** or **▼ TUNE-** to set the minutes.
- 5 Press **ALARM 1** (or **ALARM 2**) to store the setting.
- 6 Press **ALARM 1** (or **ALARM 2**) repeatedly to set the alarm mode. Settings include:
 - Wake to buzzer–Bell icon appears to the right of the alarm icon
 - Wake to radio–Music note icon appears to the right of the alarm icon
 - Alarm off–Alarm icon disappears.

To turn the alarm off:

- Press any button other than **SNOOZE/DIMMER** to turn off the alarm while the alarm is sounding. The alarm will be set for the same time the following day.
- If you do not want to set the alarm for the next day, press **ALARM 1** or **ALARM 2** repeatedly until the alarm icon disappears from the display.

To use the snooze:

- While the alarm is sounding, press **SNOOZE/DIMMER**. The alarm turns back on automatically 9 minutes later.
- To cancel snooze (the alarm will not turn back on), press any button other than **SNOOZE/DIMMER**. The alarm will be set for the same time the following day.

Playing the radio

To play the radio:

- 1 Press **RADIO** to turn on your clock radio.
 - To tune the radio up or down and select the station you want, press **▲ TUNE+** or **▼ TUNE-**.
 - To auto search for stations, press and hold **▲ TUNE+** or **▼ TUNE-** for more than two seconds.
 - To adjust the volume to a comfortable level, press either the **VOL+** or **VOL-** button.
 - To tune to the next preset station, press **PRESET+**.
 - To tune to the previous preset station, press **PRESET-**.
- 2 Press **RADIO** to turn off the clock radio.

Note

Standby mode is when only the clock is displayed. The radio defaults to standby mode when the AC adapter is first connected.

Setting and using radio presets

To use presets:

- 1 Press **RADIO** to turn on your clock radio.
- 2 Press **▲ TUNE+** or **▼ TUNE-** to tune the radio up or down and select the station you want.
- 3 To save the station as a preset, press **MEMORY**. "MEM" and "01" blink on the display.
- 4 Press **PRESET+** or **PRESET-** to select the preset number you want to designate for that station.
- 5 Press **MEMORY** again to confirm the setting. The station is stored in memory.
- 6 Repeat Steps 2 to 5 to store as many as 20 presets.
- 7 To select a preset station, briefly press **PRESET+** or **PRESET-** repeatedly until you reach the station you want. "MEM" appears on the display, along with the preset number selected and the station frequency.

Setting the sleep timer

To set the sleep timer:

- 1 Press **SLEEP** once when the radio is on. The "SLEEP" indicator appears in the display, and "90" appears (blinking) on the display (indicating that the clock radio will turn off after 90 minutes).

- 2 Repeatedly press **SLEEP** to decrease the sleep timer in 10 minute increments.
- 3 To cancel the sleep function, repeatedly press **SLEEP** until "00" shows on the display.

Adjusting the backlight

To set the backlight level:

- 1 Make sure the power is connected.
- 2 Press **SNOOZE/DIMMER** to set the display backlight to a comfortable level, except when the alarm is on. Your choices include **High, Middle, or Low.**

Displaying photos

You can view photos on your clock radio from three sources:

1. A compatible USB device connected to the USB port.
2. A memory card (SD/MMC/MS/XD) plugged into the memory card slot on the side of your clock radio.
3. The clock radio's internal memory (approximately 128 MB).

Connecting your clock radio to your computer

Photos can be transferred to your clock radio using your personal computer. To connect to a computer you need a USB cable (provided).

Note

Your clock radio may not work with all versions of Microsoft Windows.

To connect your clock radio to your computer:

- 1 Plug in your clock radio (refer to "Plugging your clock radio").
- 2 Plug the small end of the USB cable into the USB cable port on the clock radio, then plug the large USB connector into a USB port on your computer.

- 3 When the computer recognizes the clock radio as a drive you can operate the clock radio as a USB drive.

Notes

- When your clock radio is connected to the computer with the USB cable, the large USB port of your clock radio cannot be used at the same time.
- Your clock radio appears as a removable drive. The letters of the drives may be different on your computer, depending on how many drives already exist.
- Files can be transferred from your computer to your clock radio by dragging the files from a folder on your computer to your clock radio.

To display photos:

- 1 Press **PHOTO DISPLAY** (see "Top view" on page 5) in radio or standby mode. The pictures playback automatically (if Slideshow Auto Play is **ON**).

Note

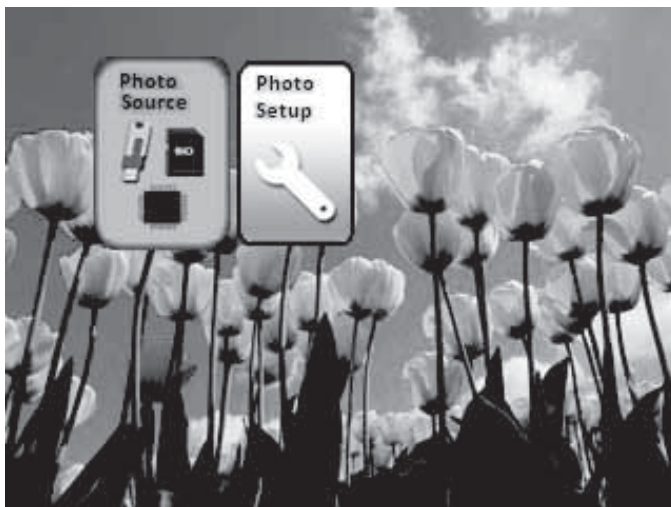
The default setting of Slideshow Auto Play is **ON** when you have photos in internal memory, a memory card containing photos is plugged into the memory card slot, or a USB device containing photos is plugged into the USB port.

- 2 Press ◀ **PREV** to select the previous photo, or ▶ **NEXT** to select the next photo.
- 3 Press **PHOTO DISPLAY** again to turn off photo display.

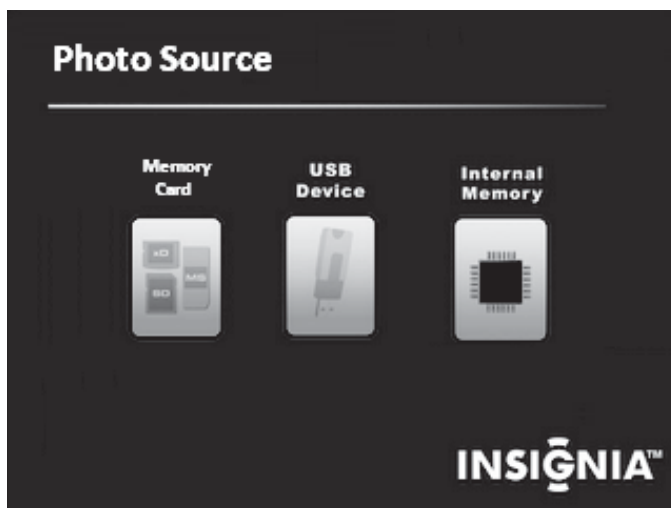
Changing the display

To use the photo menu:

- 1 While in Photo mode, press **PHOTO MENU** to display the photo menu OSD (on-screen display). The following menu opens.



- 2 Press **◀ PREV** or **▶ NEXT** to highlight **Photo Source**, then press **ENTER** to confirm. The *Photo Source* menu opens.



- 3 Press ◀ **PREV** or ▶ **NEXT** to highlight the photo source you want, then press **ENTER** to confirm. The *Thumbnails* menu opens.

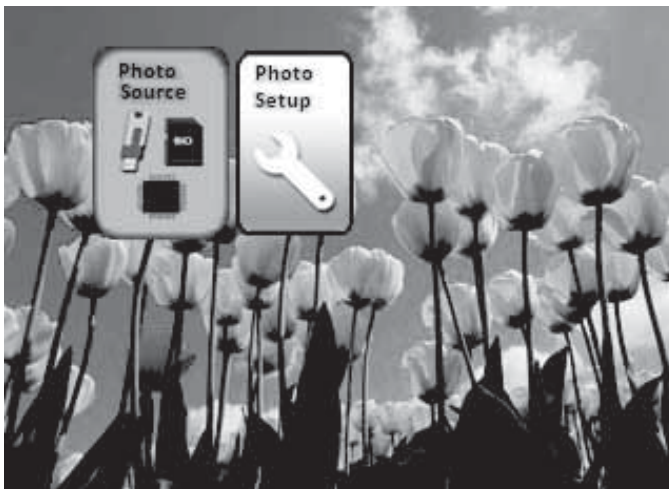


- 4 Press ◀ **PREV**, ▶ **NEXT**, ▲ **TUNE+**, or ▼ **TUNE-** to select the photo you want, then press **ENTER** to view the photo in full screen.

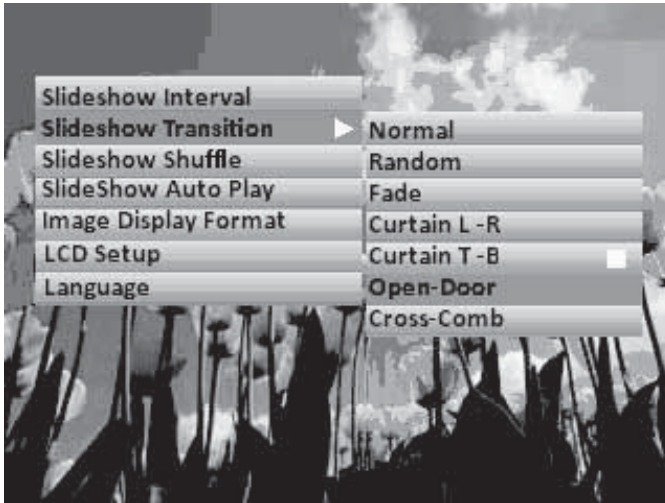
Showing a slideshow

To show a slideshow:

- 1 While in Photo mode, press **PHOTO MENU** to display the photo menu OSD (on-screen display). The following menu opens.



- 2 Press **◀ PREV** or **▶ NEXT** to highlight Photo Setup, then press **ENTER** to confirm. The *Photo Setup* menu opens.



- 3 Press **▲ TUNE+**, or **▼ TUNE-** to select the slideshow/playback mode you want.
- 4 Press **ENTER** or **▶ NEXT** to open the submenu.
- 5 Press **▲ TUNE+**, or **▼ TUNE-** to select the setting you want, then press **ENTER** to confirm.
- 6 Press **PHOTO MENU** to exit the onscreen menus. The slideshow starts automatically if the setting of Slideshow Auto Play is **ON**.

Zooming in on a photo

To zoom in on a photo:

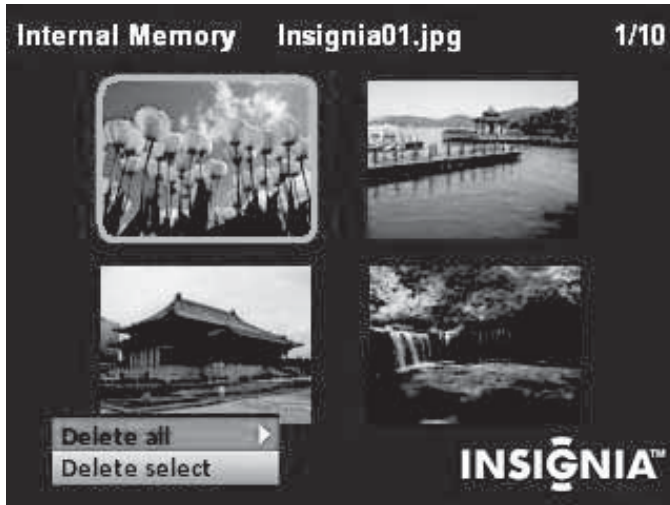
- 1 In photo mode, press **ZOOM** to zoom in on a photo.
- 2 Press **ZOOM** repeatedly to cycle through available settings.
- 3 Press **◀ PREV**, **▶ NEXT**, **▲ TUNE+**, or **▼ TUNE-** to pan around the photo.

Deleting or copying photos

To delete photos or copy photos (to internal memory):

- 1 In the Thumbnails menu, press **◀ PREV**, **▶ NEXT**, **▲ TUNE+**, or **▼ TUNE-** to select the photo you want to delete.

- 2 Press **DEL/COPY**. The *DEL/COPY* popup appears on the screen.



- 3 Press **▲ TUNE+**, or **▼ TUNE-** to select **Copy select** or **Copy all** (for Memory Card or USB Device), or **Delete select** or **Delete all** (for Internal Memory) then press **▶ NEXT** to display the options (No or Yes).

Note

When you select Internal Memory as the source, your only choices are **Delete select** or **Delete all**. When you select **Memory Card** or **USB Device** as the source, your only choices are **Copy select** or **Copy all**.

- 4 Press **▲ TUNE+**, or **▼ TUNE-** to select **No** or **Yes**, then press **ENTER** to confirm.

Troubleshooting

Note

Do not try to repair the clock radio yourself. Doing so will invalidate your warranty.

Problem	Solution
The display is off	Make sure that the AC power adapter is connected to radio and that the AC power adapter is plugged into an AC power outlet.
No sound	Increase the volume. Make sure that the radio is on and tuned to a radio station.
The sound has interference	Make sure that the radio is not too close to a TV or other appliance.
No photo is displayed on the LCD	Make sure that photo mode is on and that a compatible memory card or USB Device with jpeg photos is connected.
The remote control does not work	Make sure the remote control battery is fresh. Make sure the distance between the remote control and the radio is less than approximately 9 ft. (3 m). Make sure the remote control can "see" the remote sensor on the clock radio.

Specifications

Power supply	DC IN 5 V/1.5 A
FM band	87.5 - 107.9 MHz in 200 KHz steps (USA)
Photo format	JPEG (no progressive)
Memory cards	SD, MMC, MS, XD, up to 4 GB
Output power	2 x 1 Watt
Speaker	1.25" 8 Ohm x 2
Operating temp. (Max)	14 - 104°F (-10 - 40°C)

Legal notices

FCC Part 15

This device complies with Part 15 of the FCC Rules. Operation of this product is subject to the following two conditions: (1) this device may not cause harmful interference, and (2) this device must accept any interference received, including interference that may cause undesired operation.

FCC warning

Changes or modifications not expressly approved by the party responsible for compliance with the FCC Rules could void the user's authority to operate this equipment.

NOTE: This equipment has been tested and found to comply within the limits for a class B digital device, pursuant to Part 15 of the FCC Rules. These limits are designed to provide reasonable protection against harmful interference in a residential installation. This equipment generates, uses, and can radiate radio frequency energy and, if not installed and used in accordance with the instructions, may cause harmful interference to radio communications. However, there is no guarantee that interference will not occur in a particular installation. If this equipment does cause harmful interference to radio or television reception, which can be determined by turning the equipment off and on, the user is encouraged to try to correct the interference by one or more of the following measures:

- Reorient or relocate the receiving antenna.
- Increase the separation between the equipment and receiver.
- Connect the equipment into an outlet on a circuit different from that to which the receiver is connected.
- Consult the dealer or an experienced technician for help.

90-day limited warranty

Insignia Products ("Insignia") warrants to you, the original purchaser of this new **NS-DPFC01** ("Product"), that the Product shall be free of defects in the original manufacture of the material or workmanship for a period of 90 days from the date of your purchase of the Product ("Warranty Period"). This Product must be purchased from an authorized dealer of Insignia brand products and packaged with this warranty statement. This warranty does not cover refurbished Product. If you notify Insignia during the Warranty Period of a defect covered by this warranty that requires service, terms of this warranty apply.

How long does the coverage last?

The Warranty Period lasts for 90 days from the date you purchased the Product. The purchase date is printed on the receipt you received with the Product.

What does this warranty cover?

During the Warranty Period, if the original manufacture of the material or workmanship of the Product is determined to be defective by an authorized Insignia repair center or store personnel, Insignia will (at its sole option): (1) repair the Product with new or rebuilt parts; or (2) replace the Product at no charge with new or rebuilt comparable products or parts. Products and parts replaced under this warranty become the property of Insignia and are not returned to you. If service of Products or parts are required after the Warranty Period expires, you must pay all labor and parts charges. This warranty lasts as long as you own your Insignia Product during the Warranty Period. Warranty coverage terminates if you sell or otherwise transfer the Product.

How to obtain warranty service?

If you purchased the Product at a retail store location, take your original receipt and the Product to the store you purchased it from. Make sure that you place the Product in its original packaging or packaging that provides the same amount of protection as the original packaging. If you purchased the Product from an online web site, mail your original receipt and the Product to the address listed on the web site. Make sure that you put the Product in its original packaging or packaging that provides the same amount of protection as the original packaging.

To obtain in-home warranty service for a television with a screen 30 inches or larger, call 1-888-BESTBUY. Call agents will diagnose and correct the issue over the phone or will have an Insignia-approved repair person dispatched to your home.

Where is the warranty valid?

This warranty is valid only to the original purchaser of the product in the United States, Canada, and Mexico.

What does the warranty not cover?

This warranty does not cover:

- Customer instruction
- Installation
- Set up adjustments
- Cosmetic damage
- Damage due to acts of God, such as lightning strikes
- Accident
- Misuse
- Abuse
- Negligence
- Commercial use
- Modification of any part of the Product, including the antenna

- Plasma display panel damaged by static (non-moving) images applied for lengthy periods (burn-in).

This warranty also does not cover:

- Damage due to incorrect operation or maintenance
- Connection to an incorrect voltage supply
- Attempted repair by anyone other than a facility authorized by Insignia to service the Product
- Products sold as is or with all faults
- Consumables, such as fuses or batteries
- Products where the factory applied serial number has been altered or removed

REPAIR REPLACEMENT AS PROVIDED UNDER THIS WARRANTY IS YOUR EXCLUSIVE REMEDY. INSIGNIA SHALL NOT BE LIABLE FOR ANY INCIDENTAL OR CONSEQUENTIAL DAMAGES FOR THE BREACH OF ANY EXPRESS OR IMPLIED WARRANTY ON THIS PRODUCT, INCLUDING, BUT NOT LIMITED TO, LOST DATA, LOSS OF USE OF YOUR PRODUCT, LOST BUSINESS OR LOST PROFITS. INSIGNIA PRODUCTS MAKES NO OTHER EXPRESS WARRANTIES WITH RESPECT TO THE PRODUCT, ALL EXPRESS AND IMPLIED WARRANTIES FOR THE PRODUCT, INCLUDING, BUT NOT LIMITED TO, ANY IMPLIED WARRANTIES OF AND CONDITIONS OF MERCHANTABILITY AND FITNESS FOR A PARTICULAR PURPOSE, ARE LIMITED IN DURATION TO THE WARRANTY PERIOD SET FORTH ABOVE AND NO WARRANTIES, WHETHER EXPRESS OR IMPLIED, WILL APPLY AFTER THE WARRANTY PERIOD. SOME STATES, PROVINCES AND JURISDICTIONS DO NOT ALLOW LIMITATIONS ON HOW LONG AN IMPLIED WARRANTY LASTS, SO THE ABOVE LIMITATION MAY NOT APPLY TO YOU. THIS WARRANTY GIVES YOU SPECIFIC LEGAL RIGHTS, AND YOU MAY ALSO HAVE OTHER RIGHTS, WHICH VARY FROM STATE TO STATE OR PROVINCE TO PROVINCE.

Contact Insignia:

For customer service please call 1-877-467-4289
www.insigniaproducts.com

Distributed by Best Buy Purchasing, LLC
7601 Penn Avenue South, Richfield, Minnesota, U.S.A. 55423-3645
© 2009 Best Buy Enterprise Services, Inc.

All rights reserved. INSIGNIA is a trademark of Best Buy Enterprise Services, Inc. Registered in some countries. All other products and brand names are trademarks of their respective owners.



www.insigniaproducts.com (877) 467-4289

Distributed by Best Buy Purchasing, LLC
7601 Penn Avenue South, Richfield, MN USA 55423-3645

© 2009 Best Buy Enterprise Services, Inc.

All rights reserved. INSIGNIA is a trademark of Best Buy Enterprise Services, Inc.

Registered in some countries.

All other products and brand names are trademarks of their respective owners.

ENGLISH
09-0621

Free Manuals Download Website

<http://myh66.com>

<http://usermanuals.us>

<http://www.somanuals.com>

<http://www.4manuals.cc>

<http://www.manual-lib.com>

<http://www.404manual.com>

<http://www.luxmanual.com>

<http://aubethermostatmanual.com>

Golf course search by state

<http://golfingnear.com>

Email search by domain

<http://emailbydomain.com>

Auto manuals search

<http://auto.somanuals.com>

TV manuals search

<http://tv.somanuals.com>